



US00D477367S

(12) **United States Design Patent**
Gaines et al.

(10) **Patent No.:** **US D477,367 S**

(45) **Date of Patent:** **** Jul. 15, 2003**

(54) **ADDRESS SIGNBOARD**

(76) Inventors: **Theodore Edward Gaines**, Gaines Manufacturing, Inc., 12200 Kirkham Rd., Poway, CA (US) 92064; **Donald Bruce Gaines**, Gaines Manufacturing, Inc., 12200 Kirkham Rd., Poway, CA (US) 92064

(**) Term: **14 Years**

(21) Appl. No.: **29/163,412**

(22) Filed: **Jul. 2, 2002**

(51) **LOC (7) Cl.** **20-03**

(52) **U.S. Cl.** **D20/17; D20/28**

(58) **Field of Search** D20/10, 11, 12, D20/17, 28, 39, 41, 42, 99; D10/109, 111, 121; 40/1, 489, 545, 549, 551, 553, 568, 541-3, 584, 612, 618, 124.1, 124.5; D18/24, 29

(56) **References Cited**

U.S. PATENT DOCUMENTS

| | | | | | | |
|-----------|---|---|---------|---------------|-------|---------|
| 1,465,950 | A | * | 8/1923 | Schiller | | 362/494 |
| D158,278 | S | * | 4/1950 | Hammer | | D20/17 |
| D162,354 | S | * | 3/1951 | Smith | | D20/17 |
| D199,725 | S | * | 12/1964 | Sutton | | D20/17 |
| 3,256,625 | A | * | 6/1966 | Nelson | | 40/1 |
| D432,173 | S | * | 10/2000 | Baker | | D20/17 |
| D461,847 | S | * | 8/2002 | Phelps et al. | | D20/17 |

OTHER PUBLICATIONS

Frontgate, Frontgate retail catalog, prior to Nov. 1, 2001, p. 72, Cornerstone Brands, Inc., U.S.A.

Frontgate.com, internet website, prior to Nov. 1, 2001 (current printout provided as representative of pre-Nov. 1, 2001 content), Cornerstone Brands, Inc., U.S.A. and world-wide.

Whitehall Products.com, internet website, prior to Nov. 1, 2001 (current printout provided as representative of pre-Nov. 1, 2001 content), Whitehall Products, U.S.A. and world-wide.

Whitehall Products, product brochure, prior to Nov. 1, 2001, Whitehall Products, U.S.A.

* cited by examiner

Primary Examiner—Robert M. Spear

(74) *Attorney, Agent, or Firm*—Henderson & Caverly LLP; Kristen E. Caverly

(57) **CLAIM**

The ornamental design for an address signboard, as shown and described.

DESCRIPTION

FIG. 1 is a front perspective view of an address signboard showing the new design;

FIG. 2 is a front elevational view thereof;

FIG. 3 is a rear elevational view thereof;

FIG. 4 is a right side elevational view thereof;

FIG. 5 is a left side elevational view thereof;

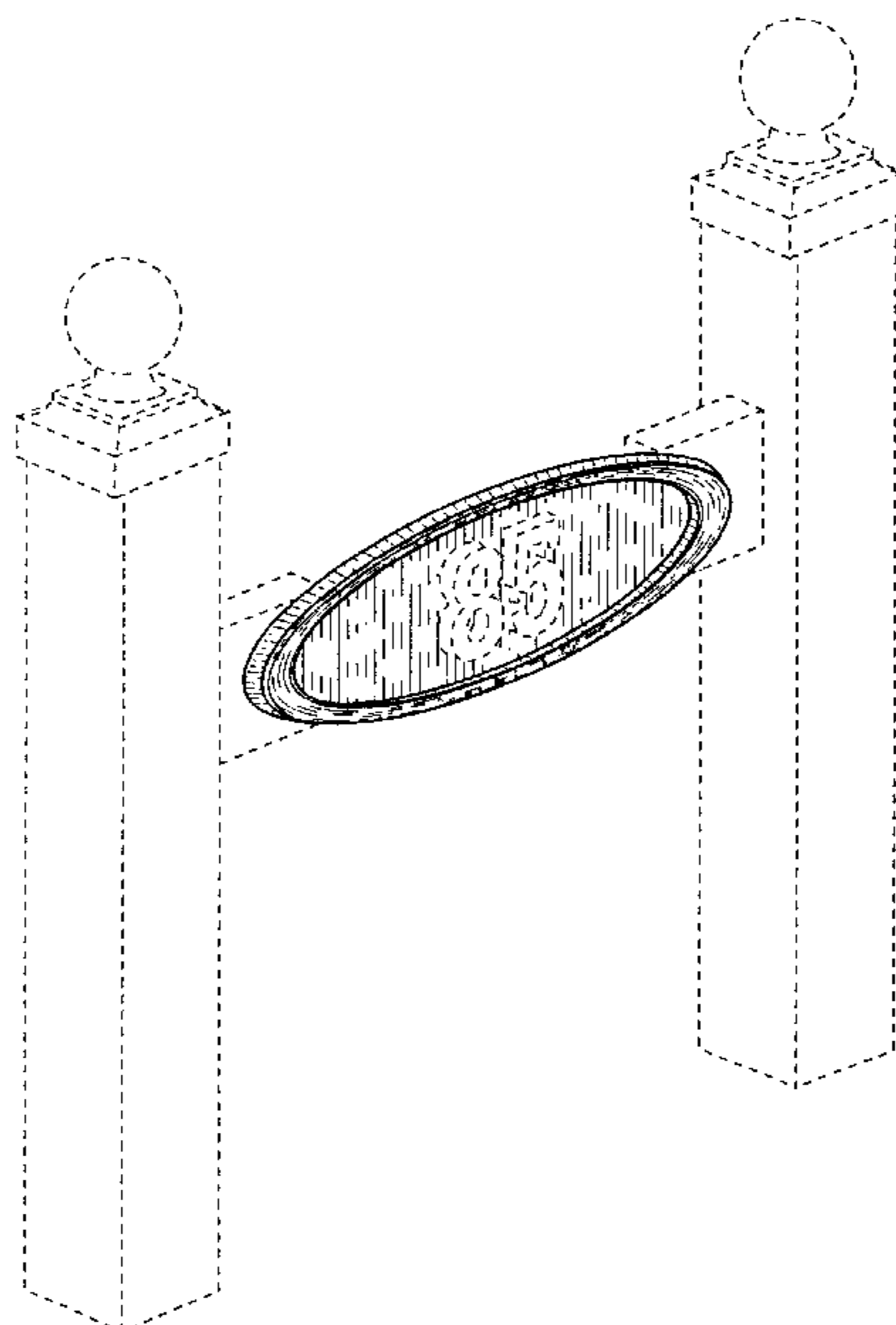
FIG. 6 is a top plan view thereof; and,

FIG. 7 is a bottom plan view thereof.

Any broken line illustration of environmental structure in the drawings is not part of the design sought to be patented.

In the drawings, those portions of the design obscured by broken lines form no part of the claimed design.

1 Claim, 3 Drawing Sheets



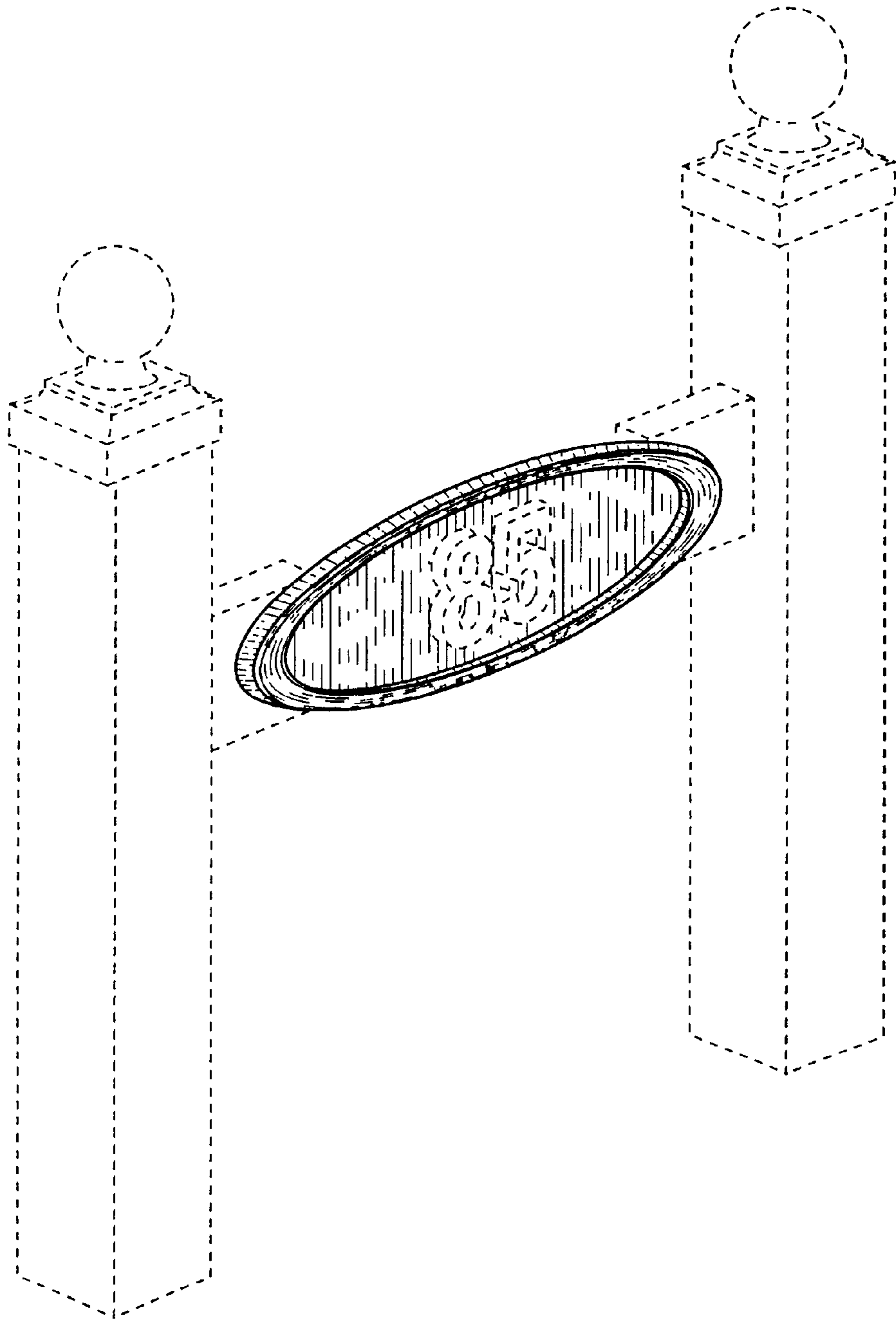


FIG. 1

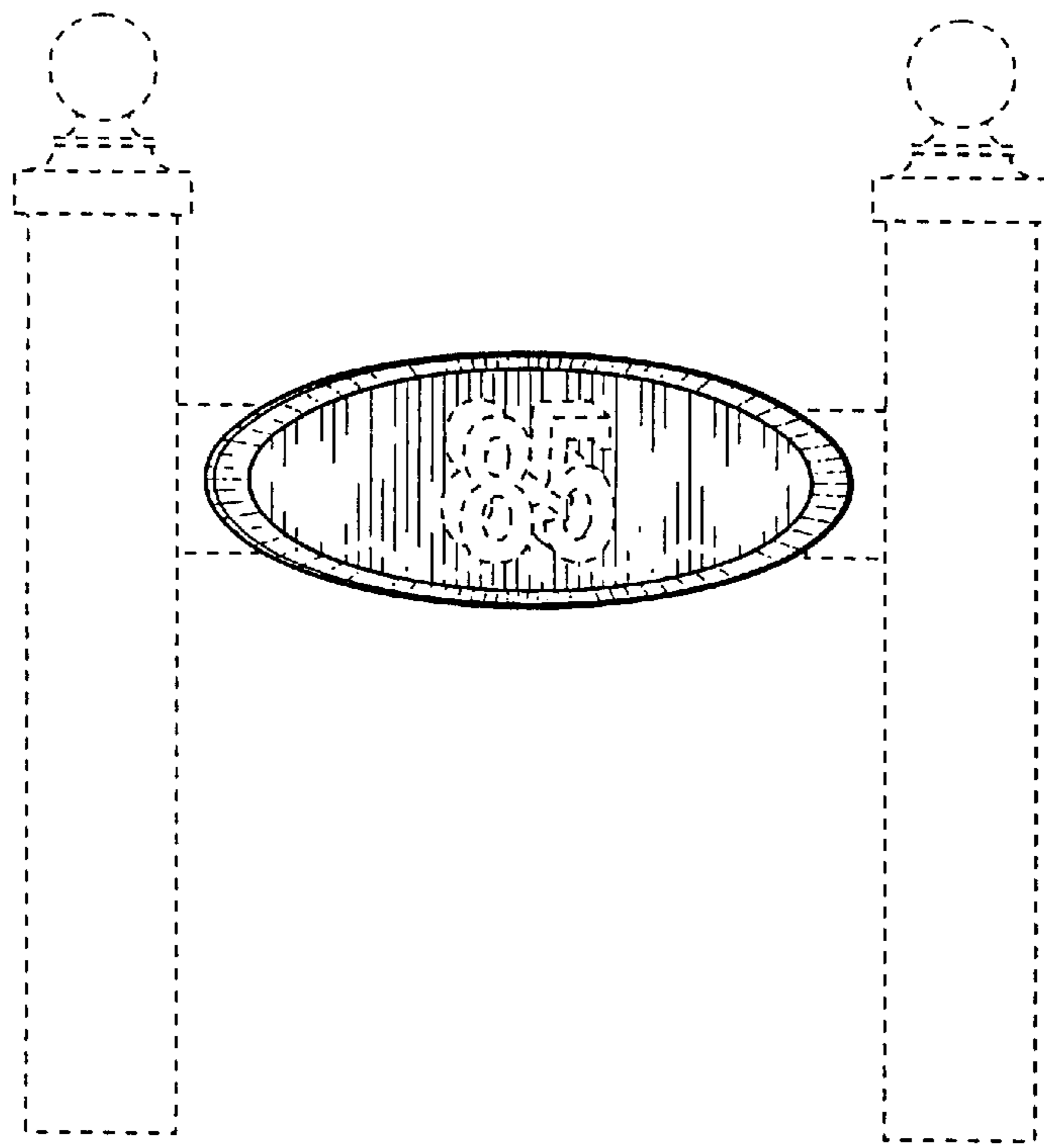


FIG. 2

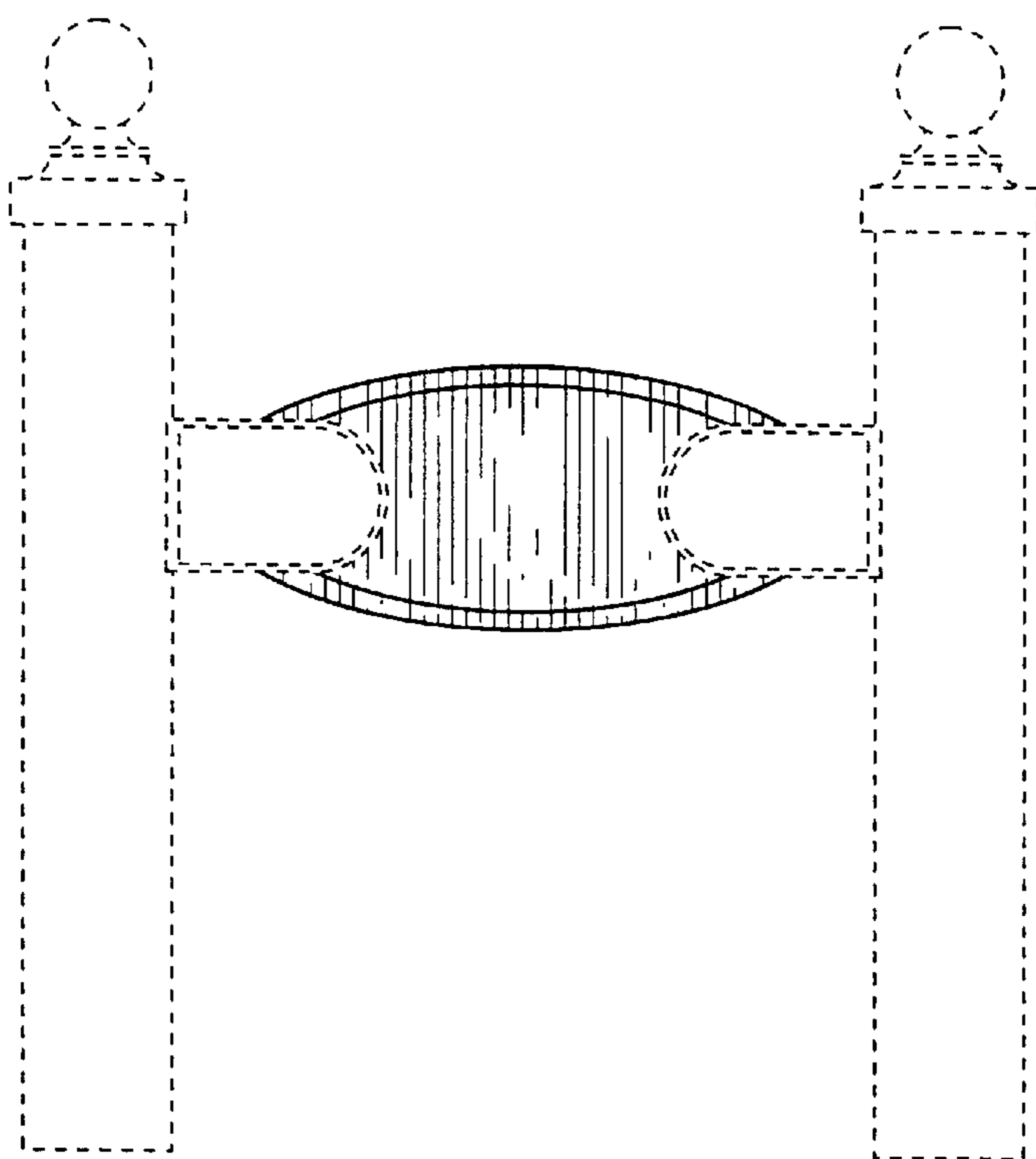


FIG. 3

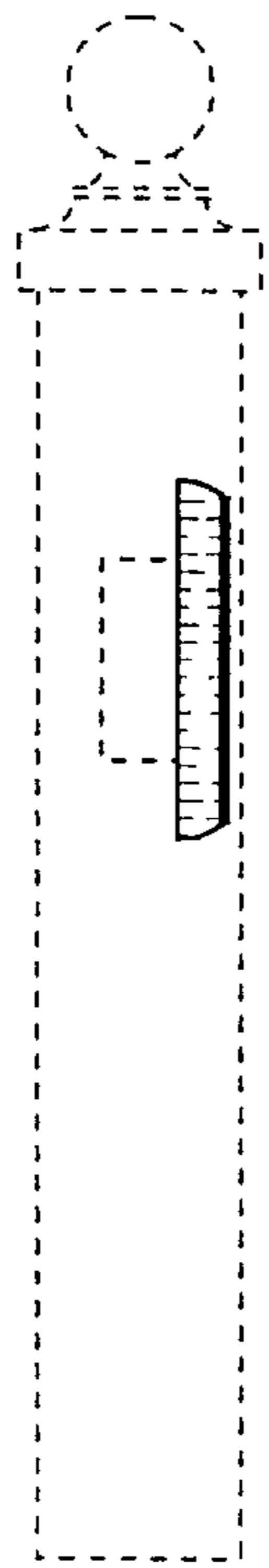


FIG. 4

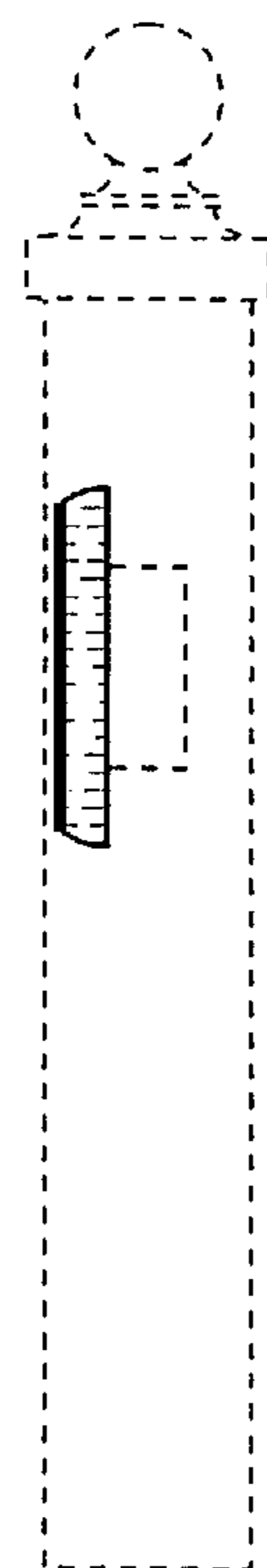


FIG. 5

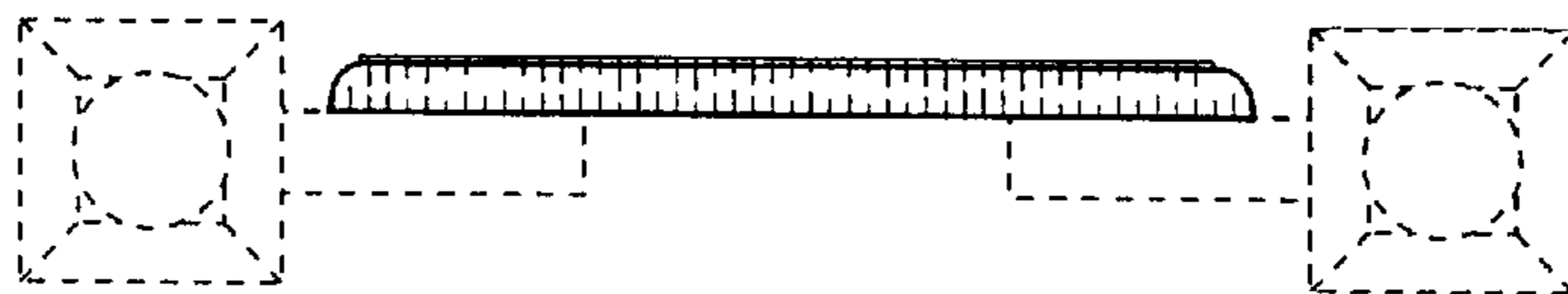


FIG. 6

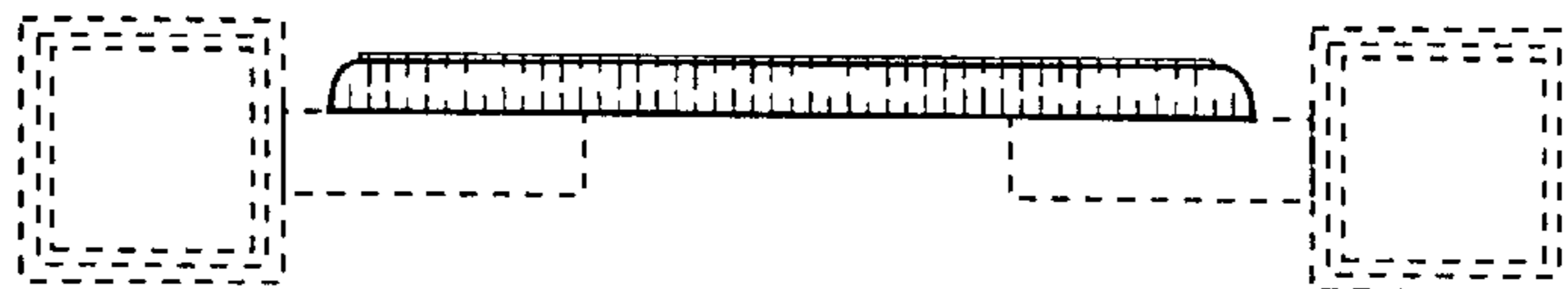


FIG. 7