



US00D477365S

(12) **United States Design Patent**
Chen

(10) **Patent No.:** **US D477,365 S**

(45) **Date of Patent:** **** Jul. 15, 2003**

(54) **PAPER TRAY**

D319,473 S * 8/1991 Aaldenberg et al. D19/92
D348,284 S * 6/1994 Thorud et al. D19/92

(75) Inventor: **Peter Chen**, West Windsor, NJ (US)

OTHER PUBLICATIONS

(73) Assignee: **Officemate International Corp.**,
Edison, NJ (US)

Jacobs Gardner Office Products, c2000, see p. 472, circled desk tray, upper left.*

(**) Term: **14 Years**

Jacobs Gardner Office Products, c2000, see p. 484, circled desk tray, top center.*

(21) Appl. No.: **29/166,298**

* cited by examiner

(22) Filed: **Aug. 23, 2002**

Primary Examiner—Martie K. Holtje

(51) **LOC (7) Cl.** **19-02**

(74) *Attorney, Agent, or Firm*—Daniel Kirshner

(52) **U.S. Cl.** **D19/92; D19/86**

(57) **CLAIM**

(58) **Field of Search** D19/35, 36, 65,
D19/75, 78, 86, 91, 92, 95, 99, 100; 206/215,
555, 556, 557; 211/10, 11, 13.1, 50, 126.1,
126.13, 126.16, 55, 52, 126.2–127.7

The ornamental design for the paper tray, as shown.

DESCRIPTION

(56) **References Cited**

FIG. 1 is a front perspective view of the paper tray showing the design;

U.S. PATENT DOCUMENTS

FIG. 2 is a front elevational view thereof;

- 2,627,343 A * 2/1953 Gallagher 206/555
- D261,904 S * 11/1981 Polhemus D19/92
- 4,657,148 A * 4/1987 Heng 211/126.12
- 4,887,724 A * 12/1989 Pielechowski et al. 211/11
- 4,907,703 A * 3/1990 Alger et al. 211/10
- D314,398 S * 2/1991 Aaldenberg et al. D19/92
- D317,467 S * 6/1991 Kheng D19/92

FIG. 3 is a rear elevational view thereof;

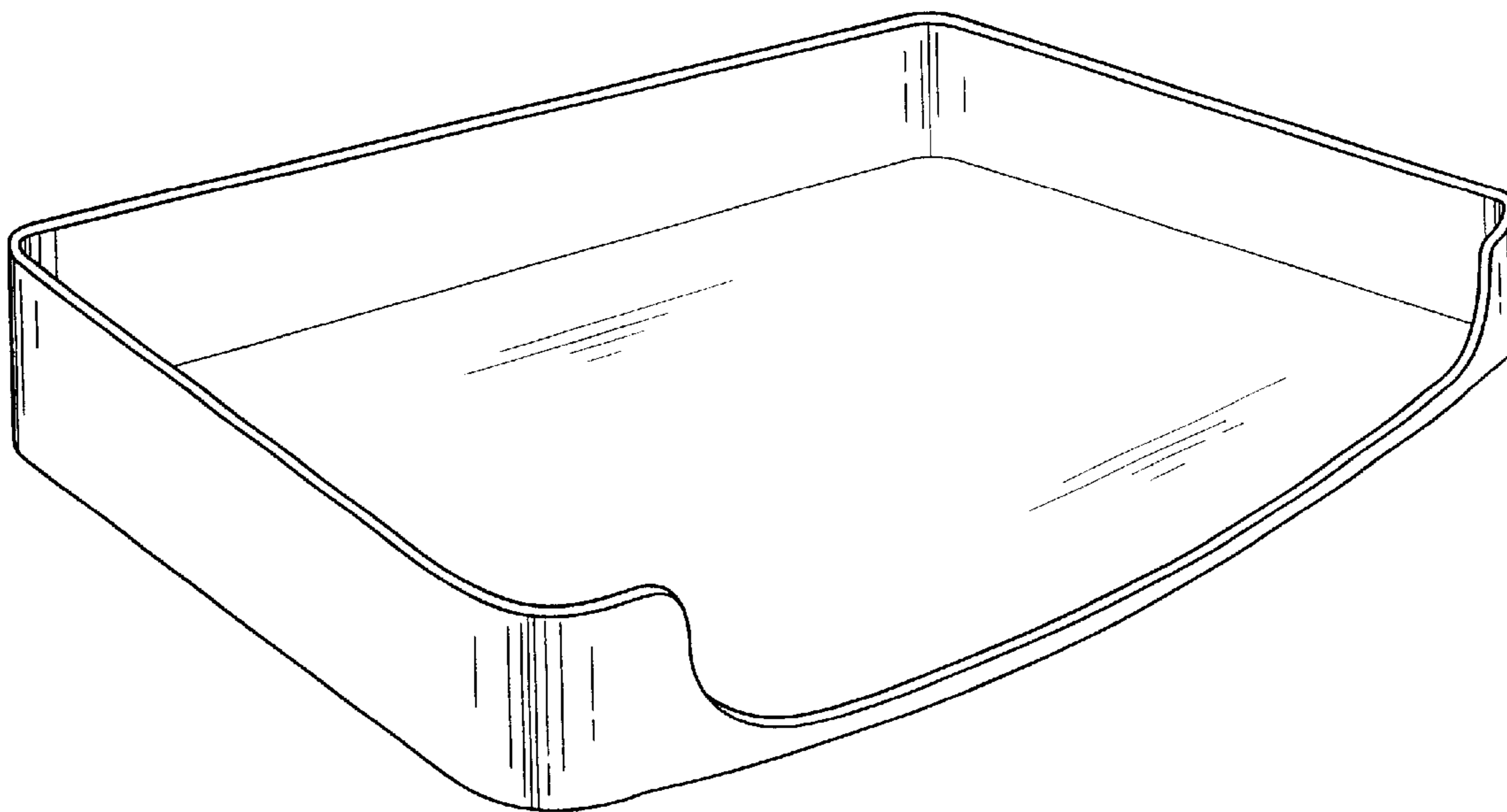
FIG. 4 is a right side elevational view thereof;

FIG. 5 is a left side elevational view thereof;

FIG. 6 is a top plan view thereof; and,

FIG. 7 is a bottom plan view thereof.

1 Claim, 4 Drawing Sheets



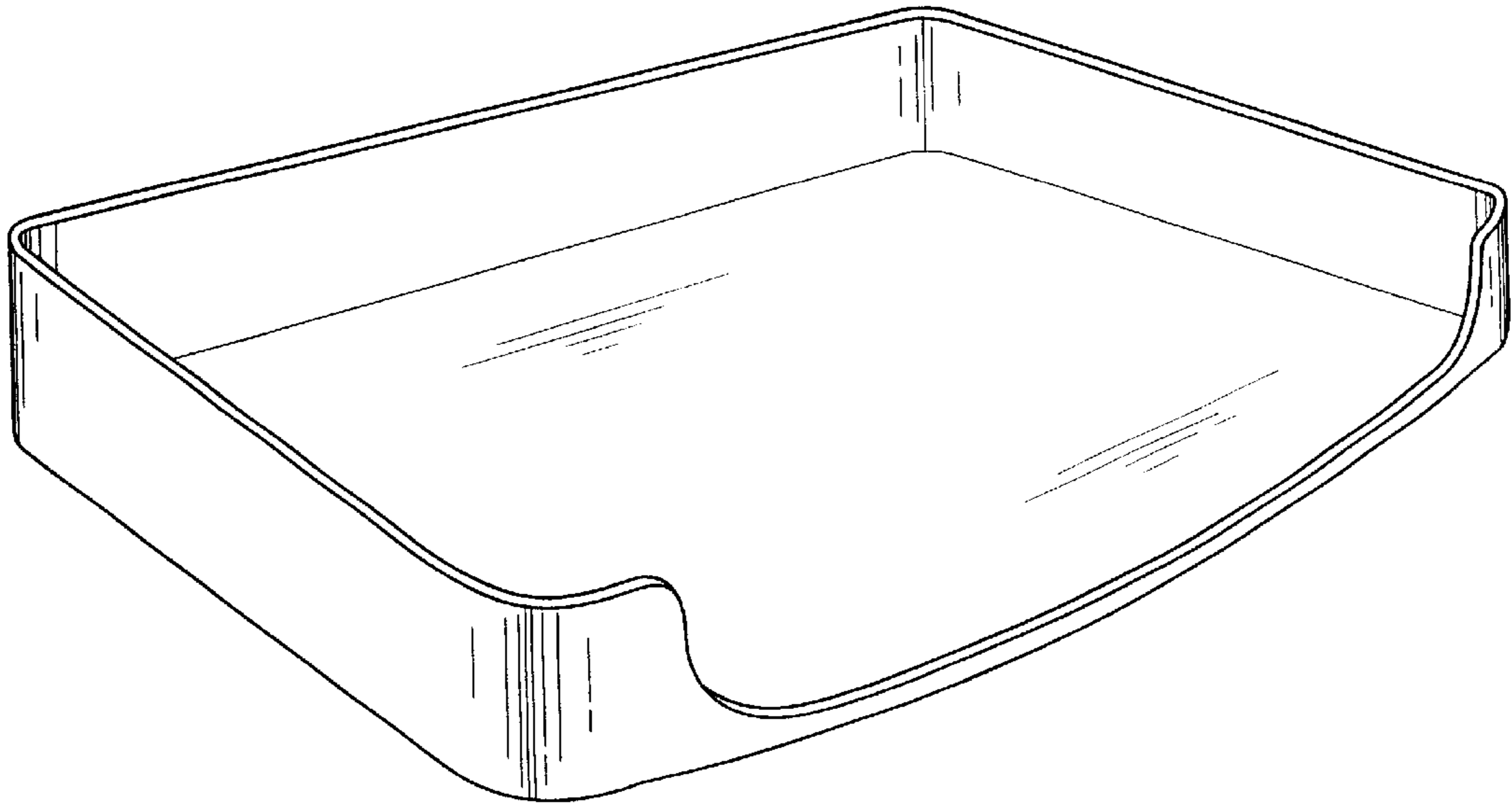


FIG. 1

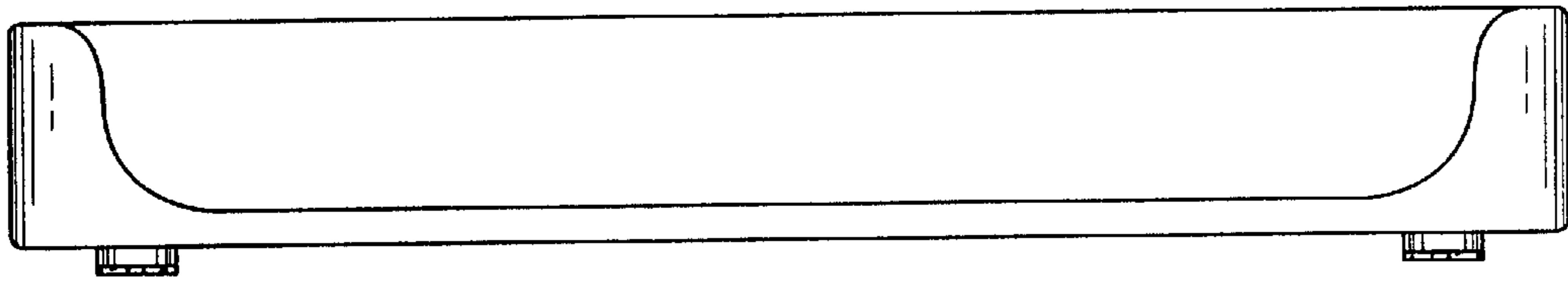


FIG. 2

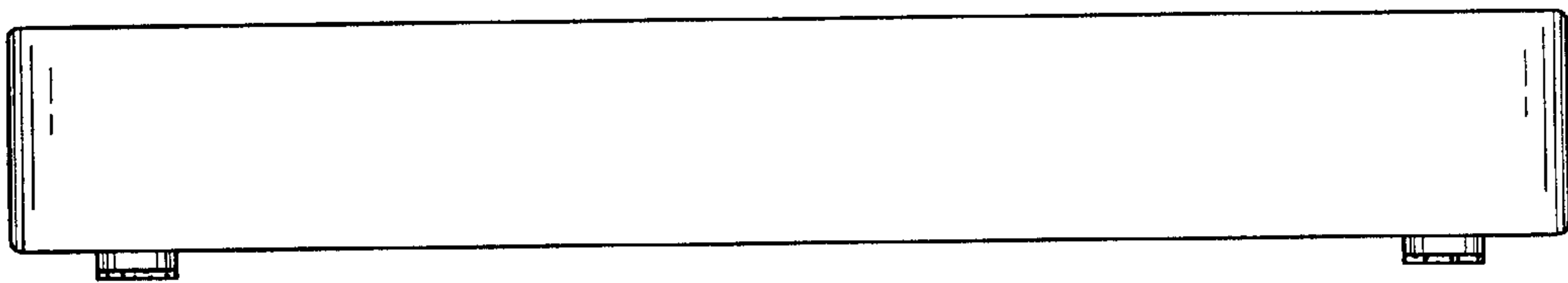


FIG. 3

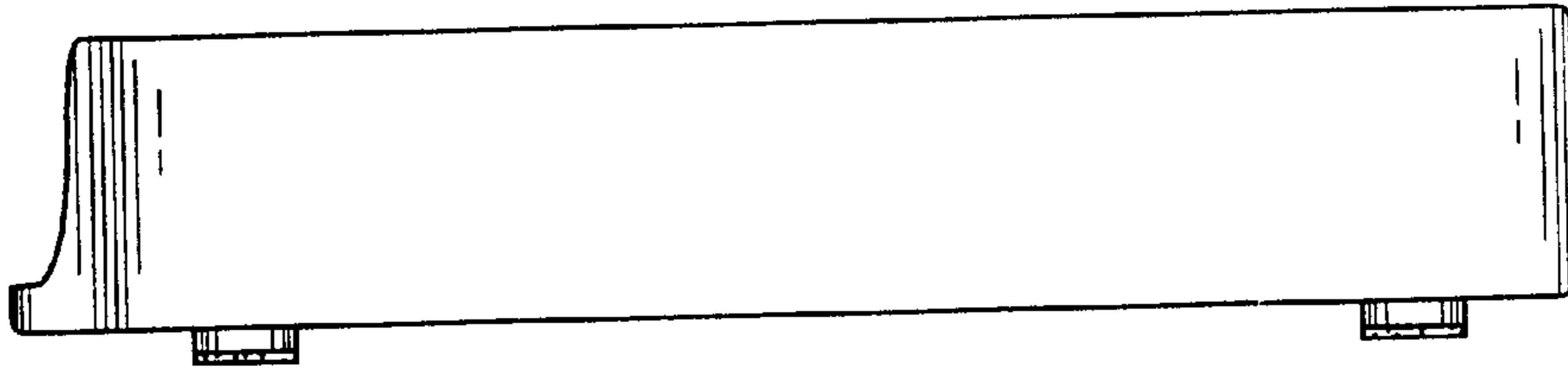


FIG. 4

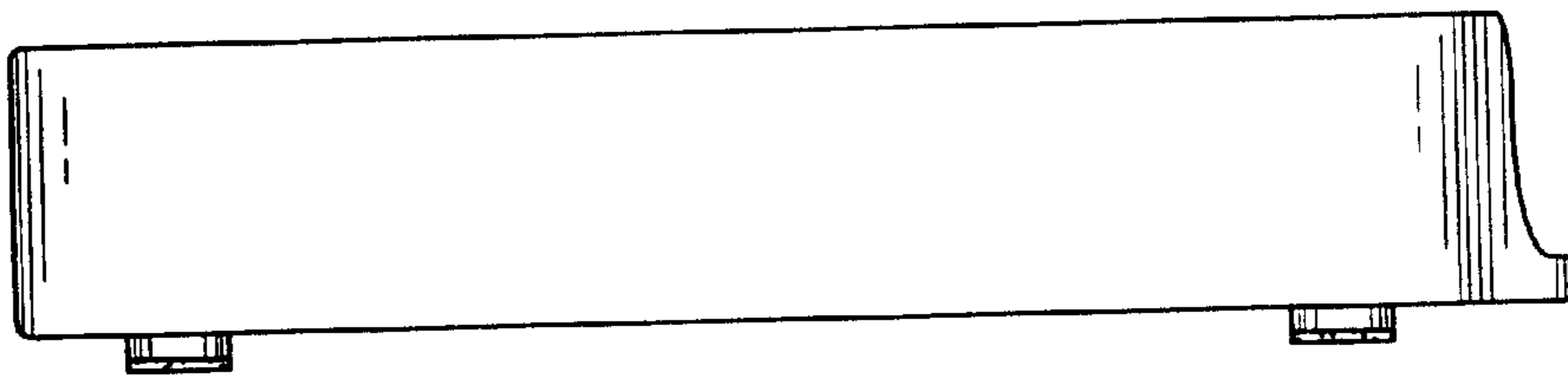


FIG. 5

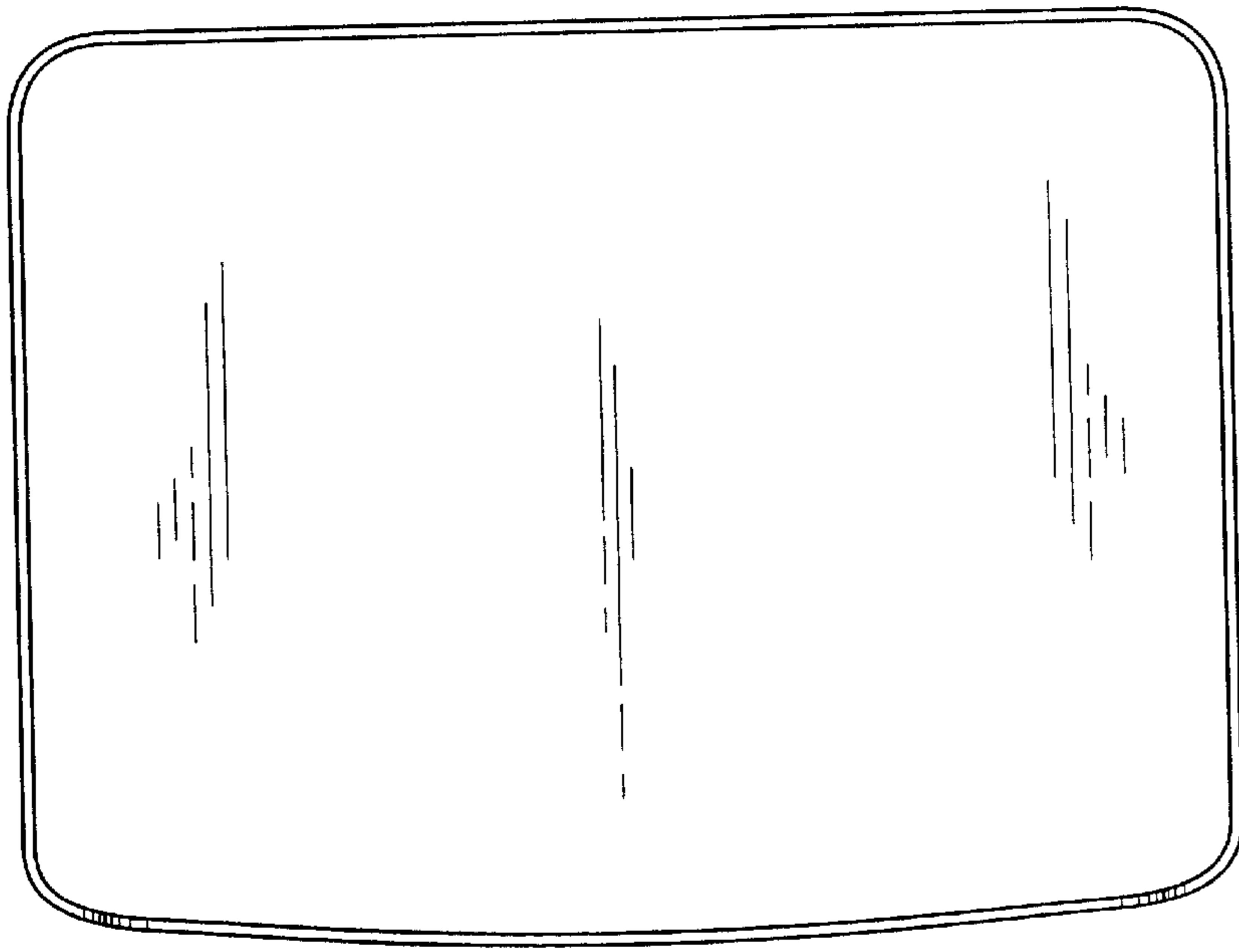


FIG. 6

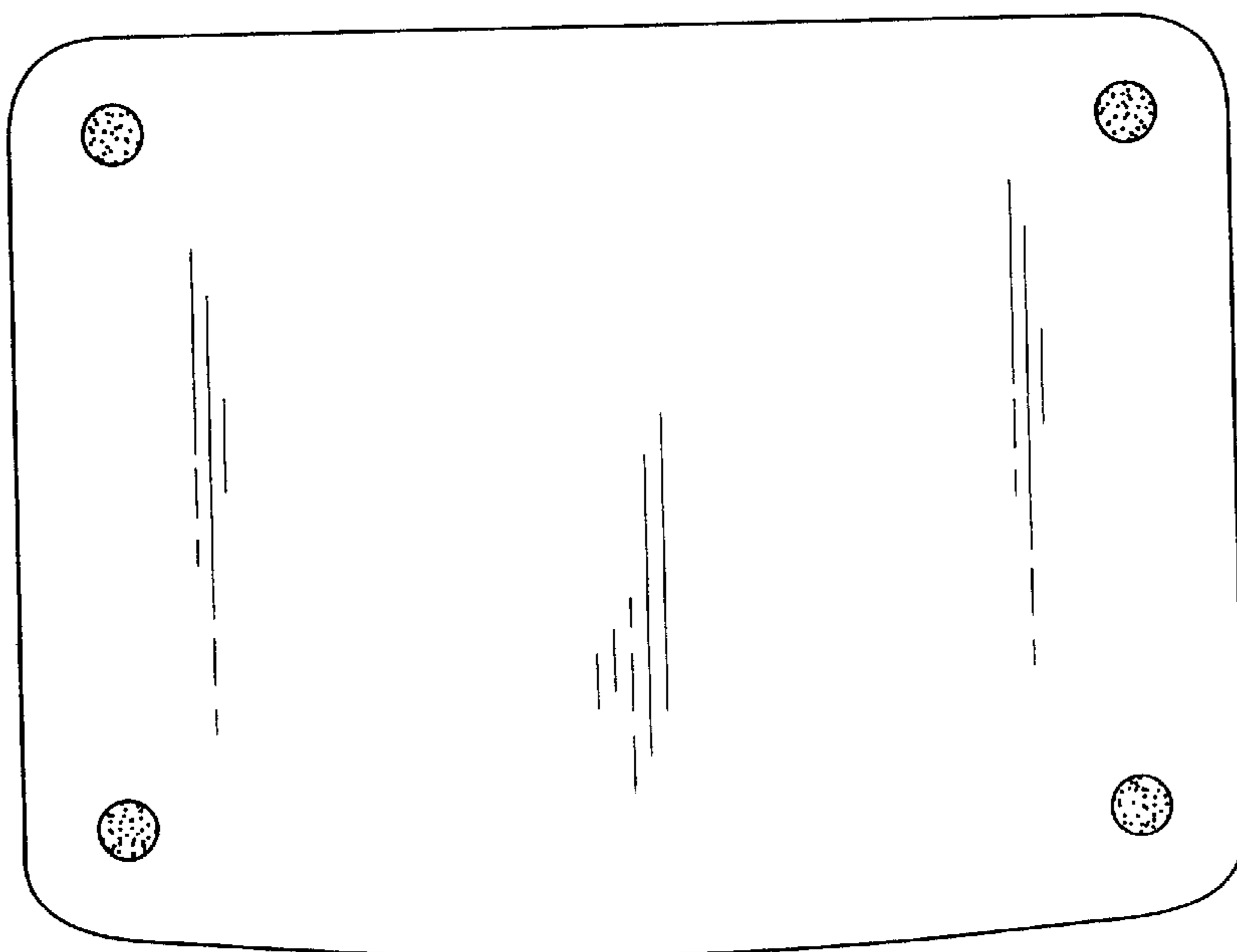


FIG. 7