



US00D477364S

(12) **United States Design Patent**
Tsai

(10) **Patent No.:** **US D477,364 S**

(45) **Date of Patent:** **** Jul. 15, 2003**

(54) **CUBICLE CLIP**

(76) **Inventor:** **Ching Tsung Tsai**, No. 364, Sec. 2,
Mei Liao, Rd, Chu In Li, Ho Mei,
Chang Hua (TW)

(**) **Term:** **14 Years**

(21) **Appl. No.:** **29/164,472**

(22) **Filed:** **Jul. 26, 2002**

(51) **LOC (7) Cl.** **19-02**

(52) **U.S. Cl.** **D19/65; D8/395; D19/90**

(58) **Field of Search** **D8/389, 390, 394,**
D8/395; D19/65, 75, 78, 86, 90, 91, 99,
100; 24/67 R, 67.1-67.11, 499, 334, 351,
352, 353, 354, 509, 510, 3.11, 13; 248/441.1,
451, 217.3

(56) **References Cited**

U.S. PATENT DOCUMENTS

- 382,480 A * 5/1888 Lines 24/334
- 769,336 A * 9/1904 Cahn 24/499
- 1,226,540 A * 5/1917 Lauletta 24/353
- 5,148,581 A * 9/1992 Hartmann 24/351

- 5,484,126 A * 1/1996 Kitchin 248/217.3
- D428,921 S * 8/2000 Saylor et al. D19/65
- D438,452 S * 3/2001 Tsai D8/395
- 6,302,366 B1 * 10/2001 Saylor et al. 248/452
- D454,056 S * 3/2002 Kung D8/395
- D468,359 S * 1/2003 Chen D19/65

* cited by examiner

Primary Examiner—Martie K. Holtje

(74) *Attorney, Agent, or Firm*—Troxell Law Office PLLC

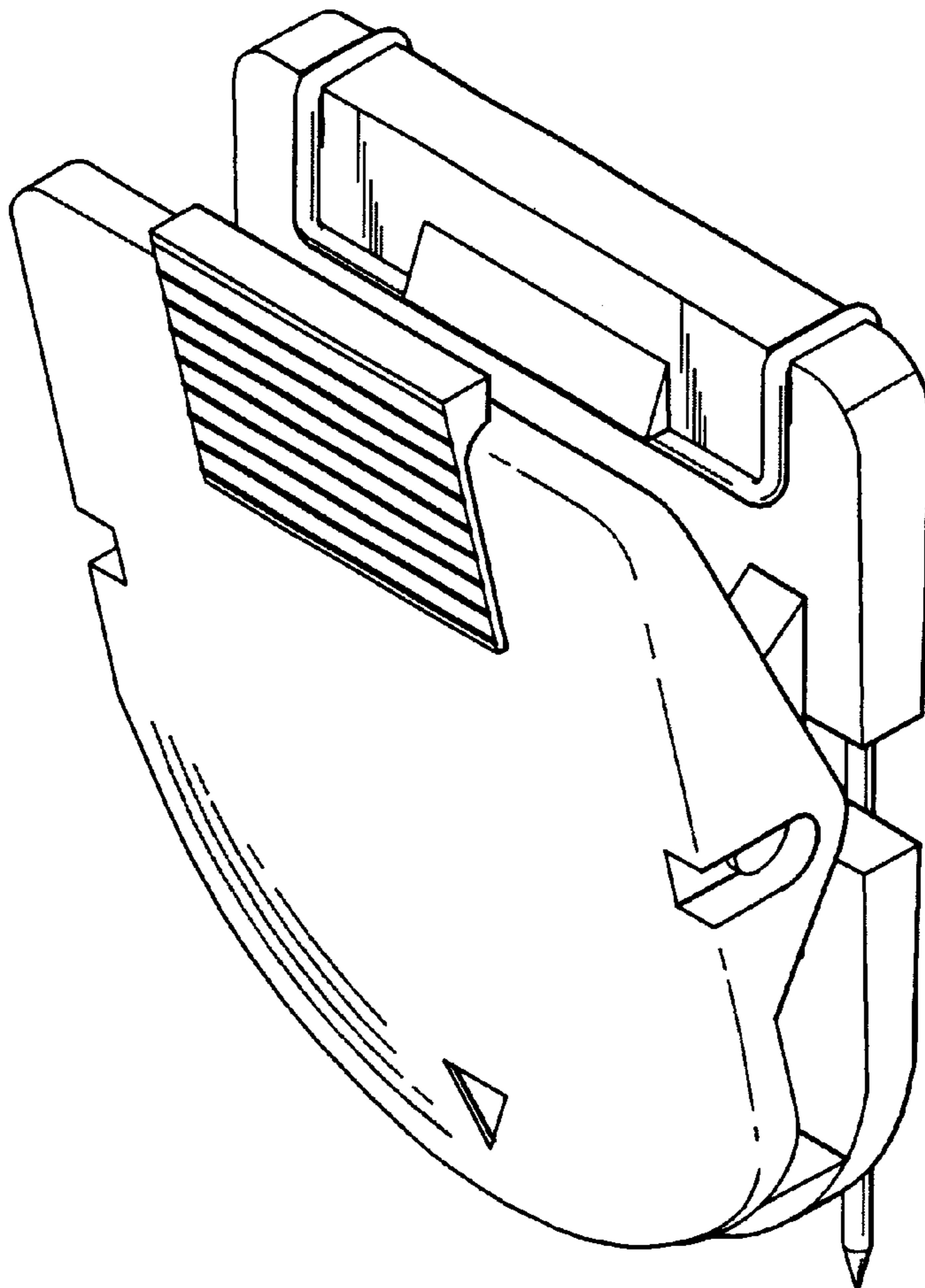
(57) **CLAIM**

The ornamental design for a cubicle clip, as shown.

DESCRIPTION

FIG. 1 is a top, right front perspective view of a cubicle clip showing my new design;
 FIG. 2 is a front elevational view thereof;
 FIG. 3 is a rear elevational view thereof;
 FIG. 4 is a left side elevational view thereof;
 FIG. 5 is a right side elevational view thereof;
 FIG. 6 is a top plan view thereof; and,
 FIG. 7 is a bottom plan view thereof.

1 Claim, 4 Drawing Sheets



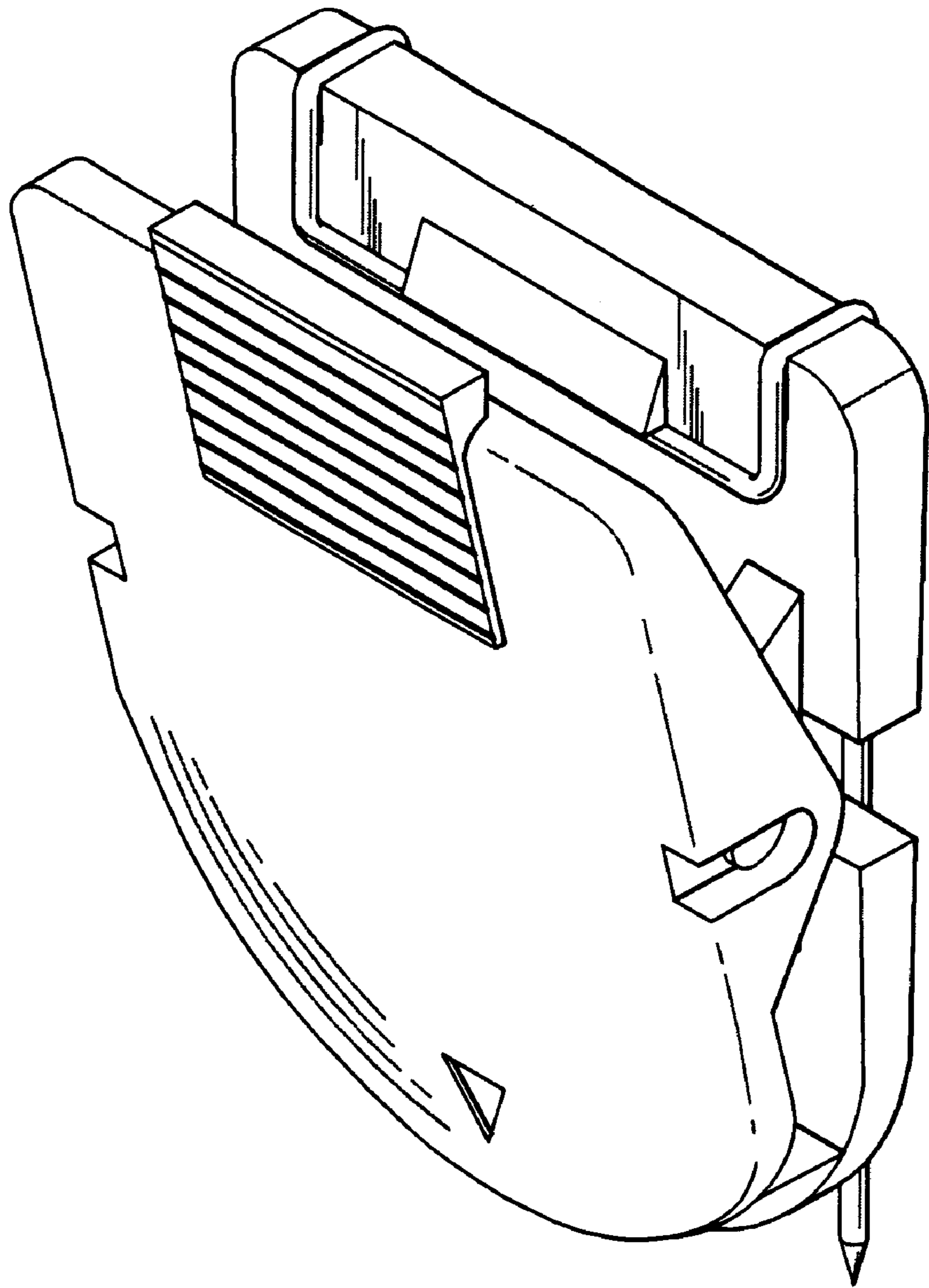


FIG. 1

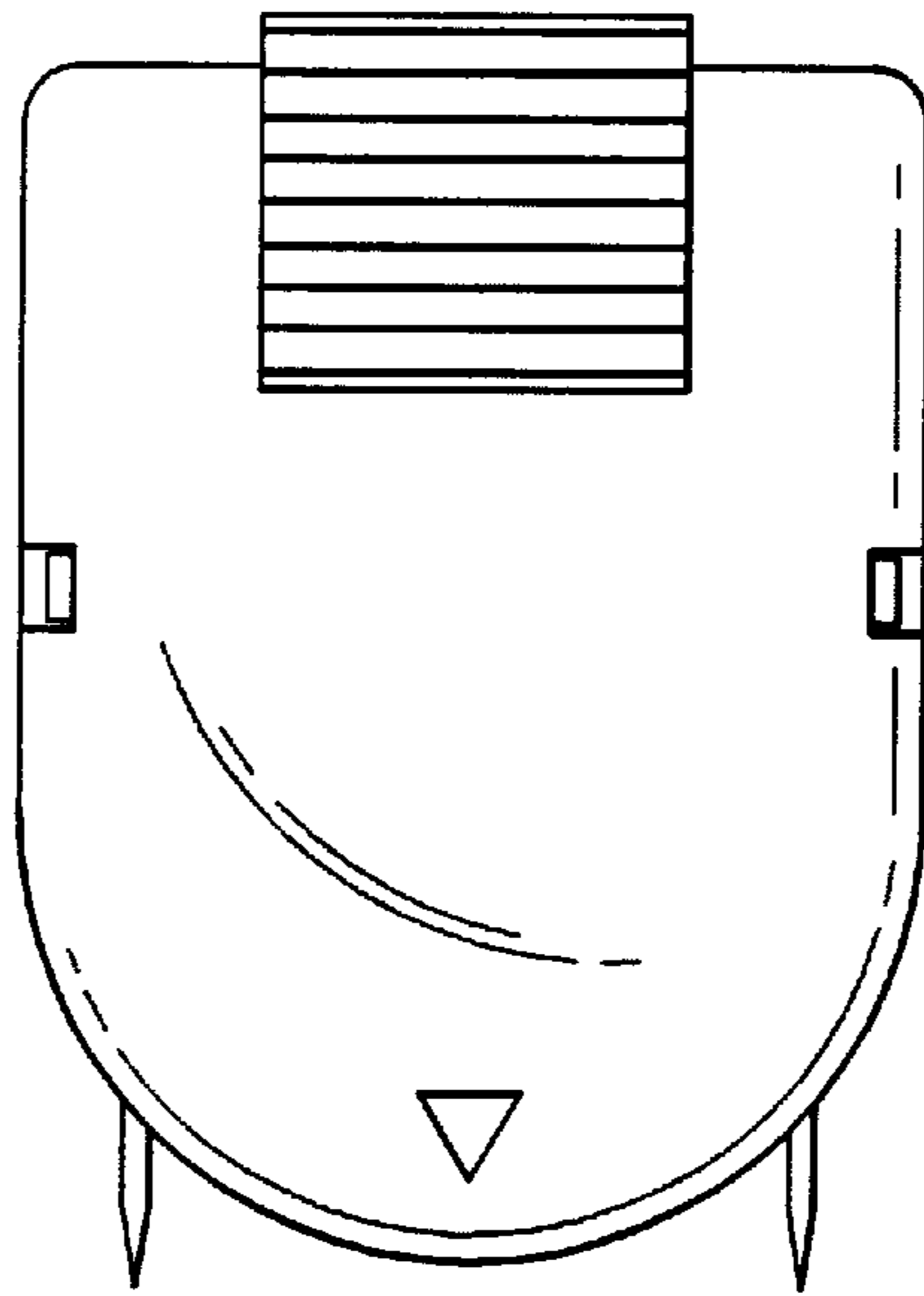


FIG. 2

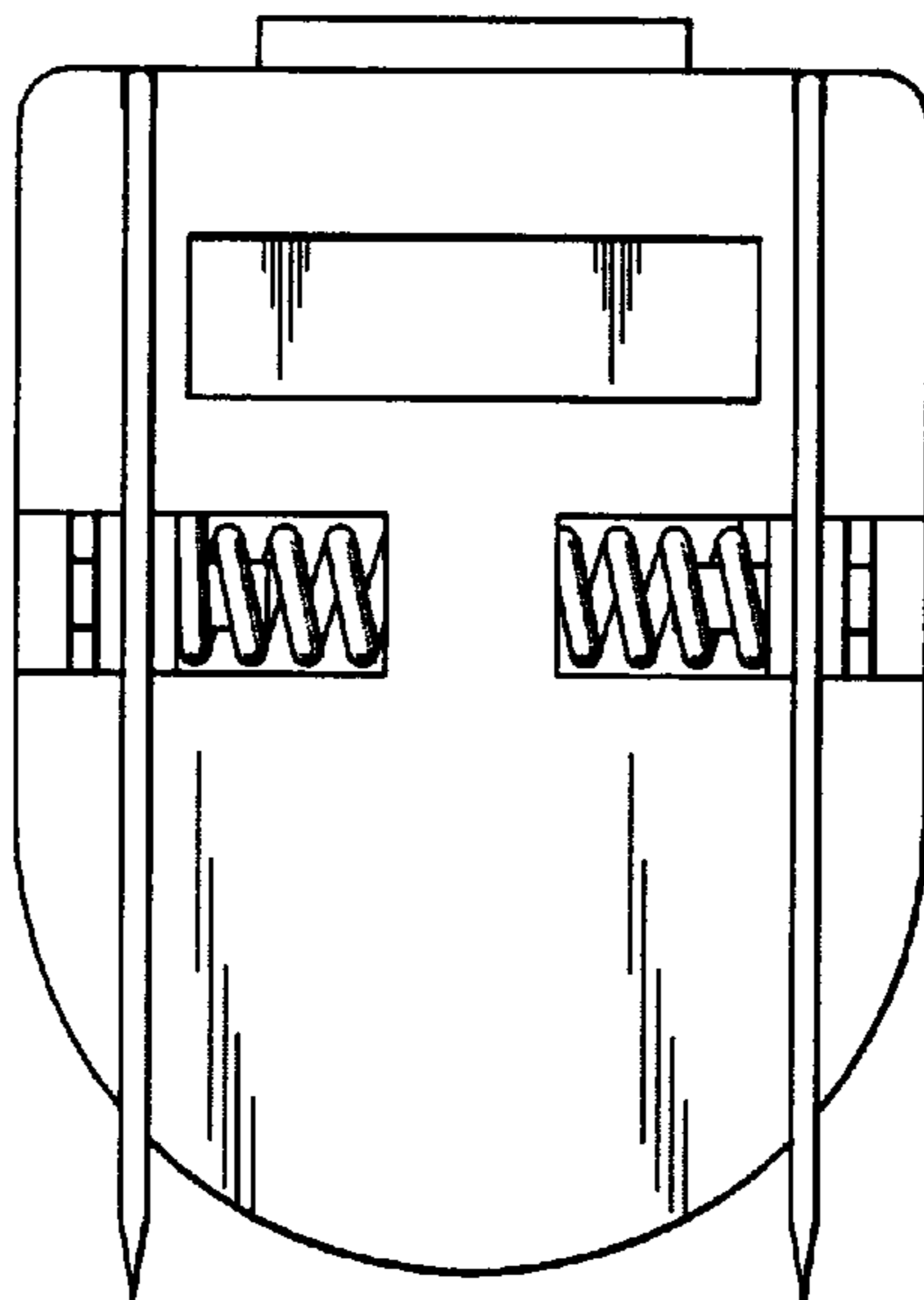


FIG. 3

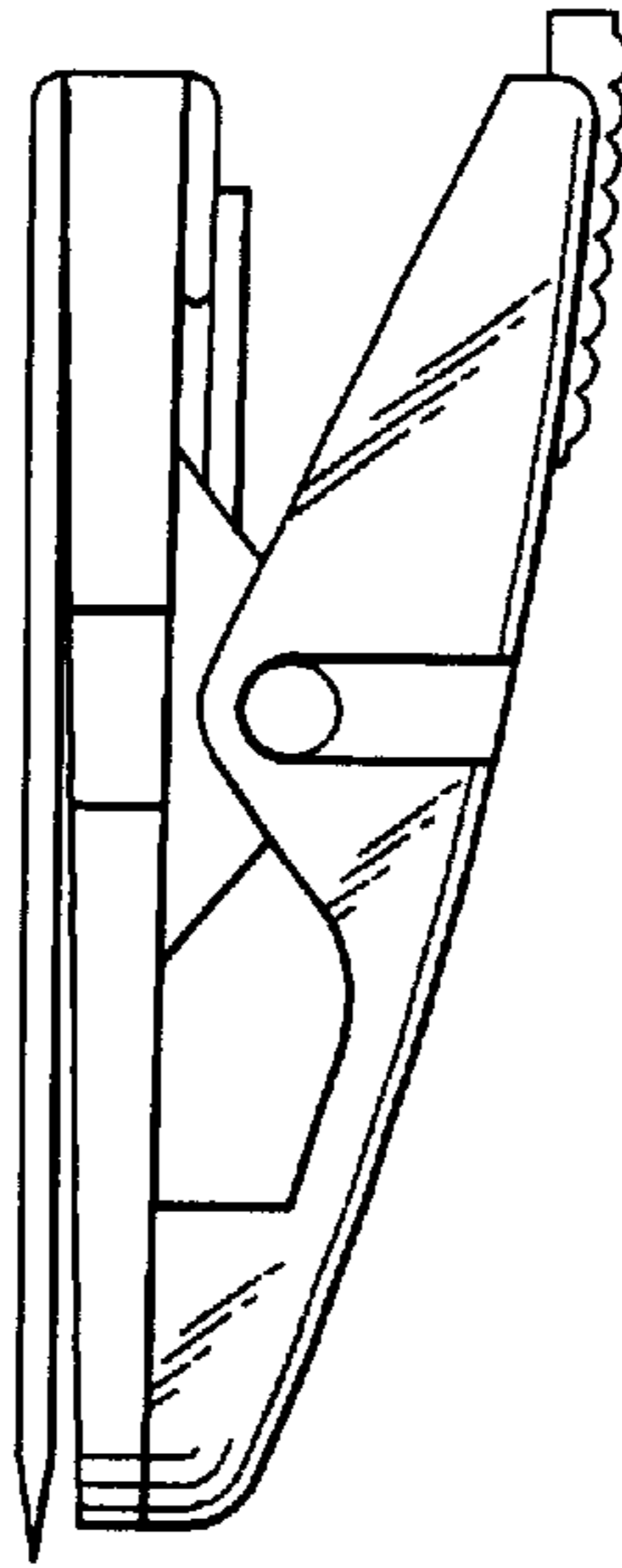


FIG. 4

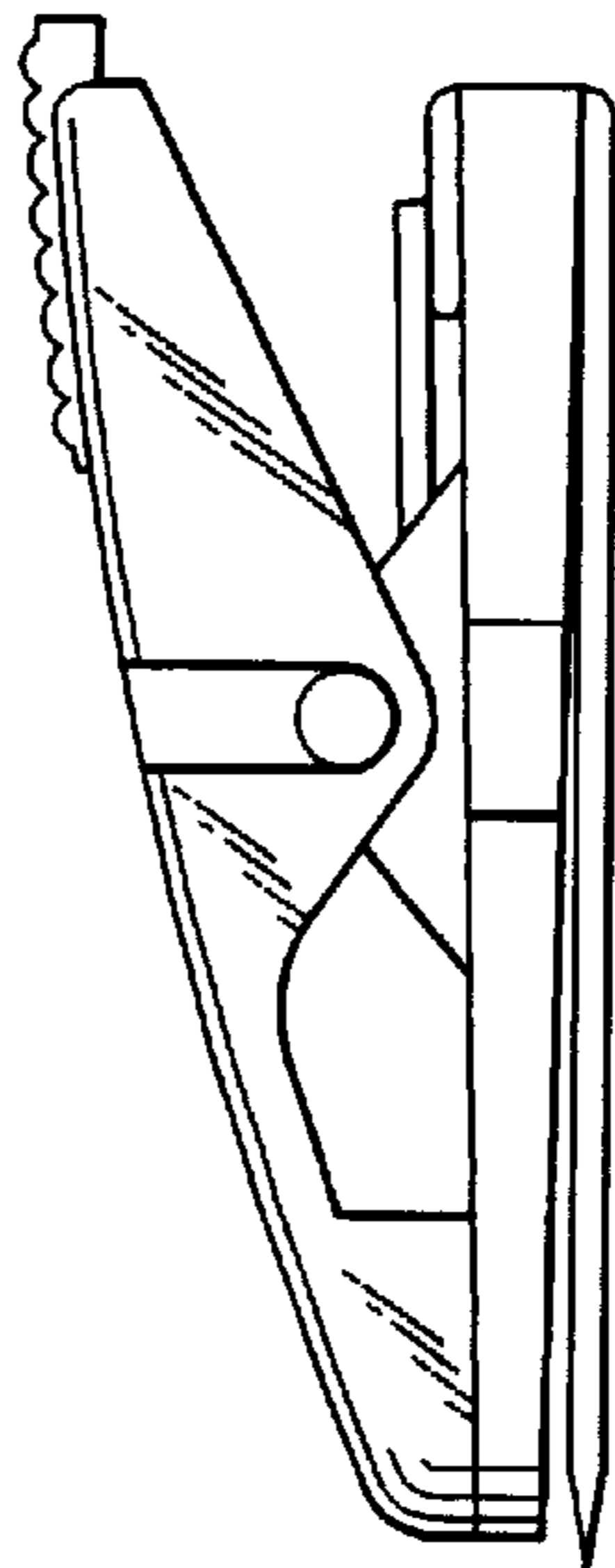


FIG. 5

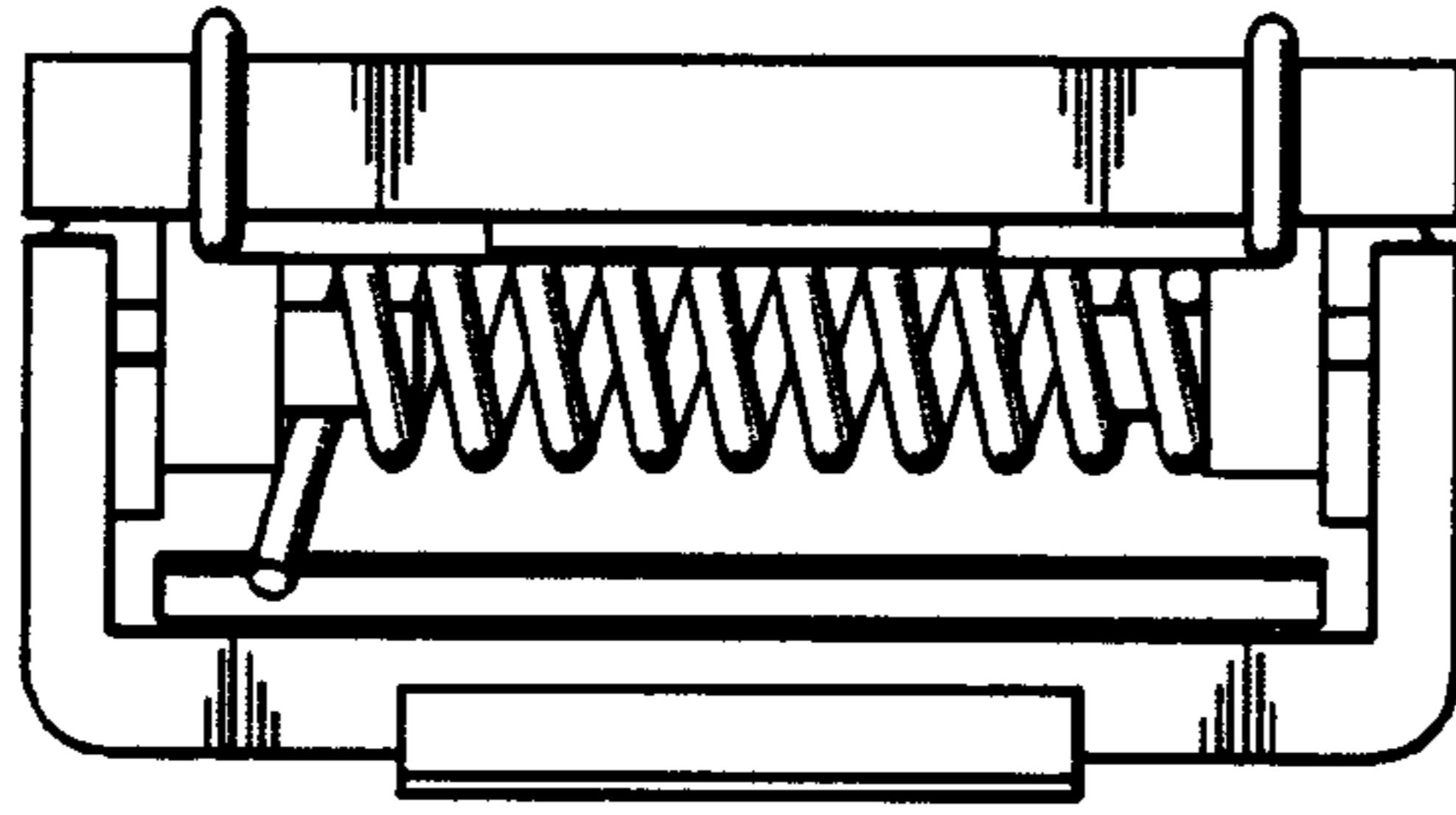


FIG. 6

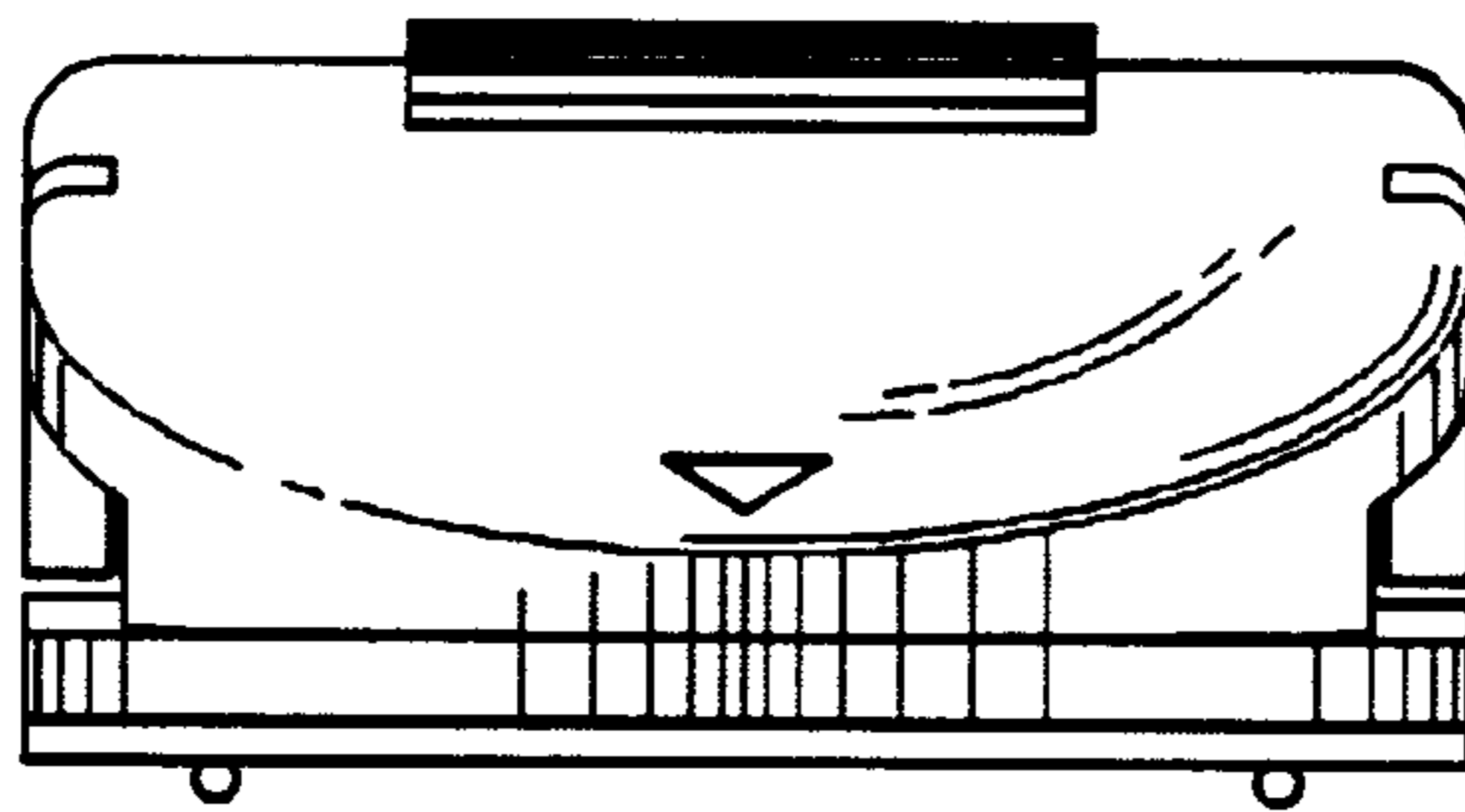


FIG. 7