



US00D477357S

(12) **United States Design Patent**
Nakajima et al.

(10) **Patent No.:** **US D477,357 S**

(45) **Date of Patent:** **** Jul. 15, 2003**

(54) **TONER SUPPLYING CARTRIDGE FOR PHOTOCOPIER**

(75) Inventors: **Nobuo Nakajima**, Kashiwa (JP);
Toshiaki Nagashima, Abiko (JP);
Kazuyoshi Sasae, Toride (JP);
Junichiro Shimamura, Funabashi (JP)

(73) Assignee: **Canon Kabushiki Kaisha**, Tokyo (JP)
(**) Term: **14 Years**

(21) Appl. No.: **29/171,659**
(22) Filed: **Nov. 27, 2002**

(30) **Foreign Application Priority Data**
May 28, 2002 (JP) 2002-014220

(51) **LOC (7) Cl.** **16-03**
(52) **U.S. Cl.** **D18/43**
(58) **Field of Search** D18/40, 43, 56;
399/12, 24, 25, 27, 28, 106, 110, 262; 222/DIG. 1

(56) **References Cited**
U.S. PATENT DOCUMENTS
5,280,324 A * 1/1994 Ono et al. 399/262
D353,832 S * 12/1994 Masaki et al. D18/43

D362,676 S 9/1995 Shimizu et al. D18/43
D374,249 S 10/1996 Isomoto et al. D18/43
D374,456 S * 10/1996 Wakatsuki et al. D18/43
D376,170 S 12/1996 Nagashima et al. D18/43
D399,870 S * 10/1998 Okada et al. D18/43
D466,918 S * 12/2002 Shiozaki et al. D18/43
D469,119 S * 1/2003 Shiba D18/43

* cited by examiner
Primary Examiner—Caron D. Veynar
(74) *Attorney, Agent, or Firm*—Fitzpatrick, Cella, Harper & Scinto

(57) **CLAIM**
The ornamental design for a toner supplying cartridge for photocopier, as shown and described.

DESCRIPTION
FIG. 1 is a front view of a toner supplying cartridge for photocopier showing our new design;
FIG. 2 is a rear view thereof;
FIG. 3 is a top plan view thereof;
FIG. 4 is a bottom plan view thereof;
FIG. 5 is a left side view thereof;
FIG. 6 is a right side view thereof; and,
FIG. 7 is a perspective view thereof.

1 Claim, 4 Drawing Sheets

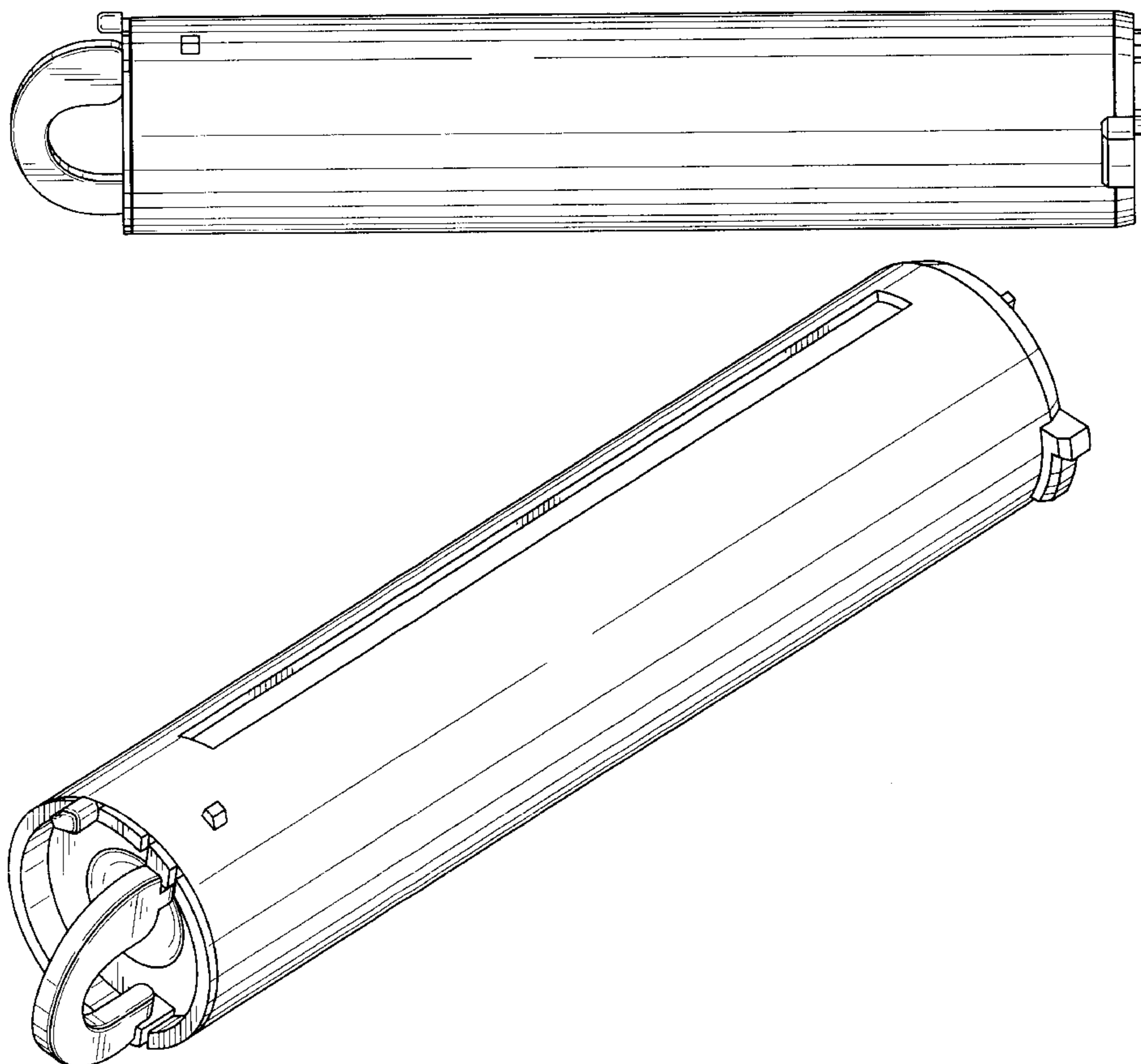


FIG. 1

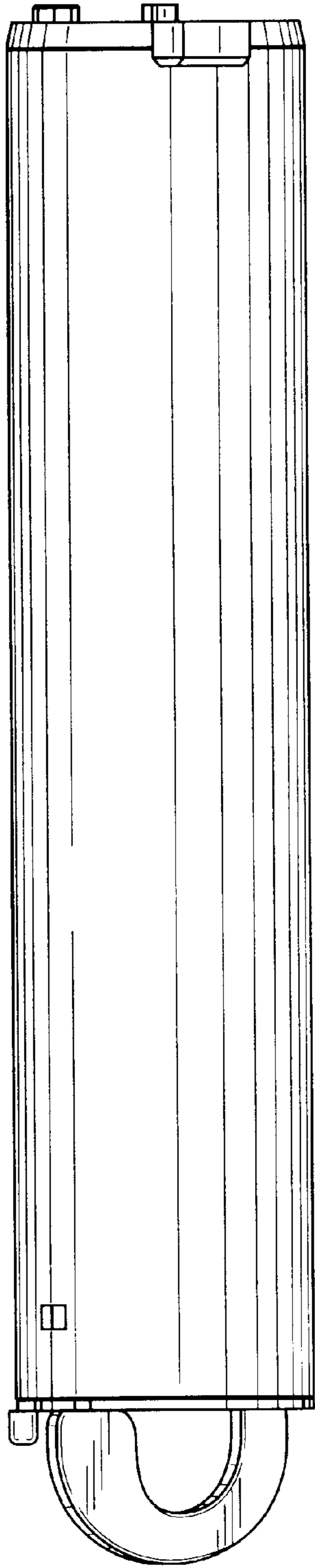


FIG. 2

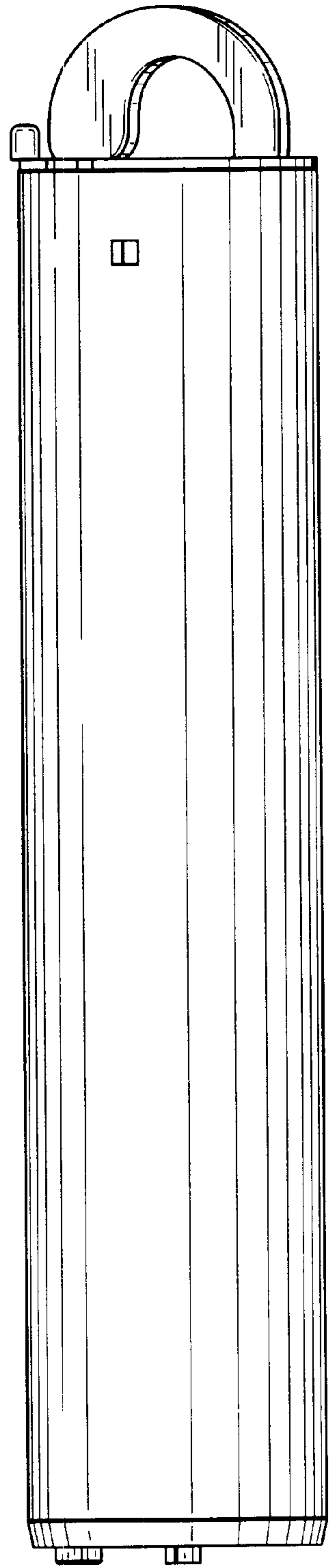


FIG. 3

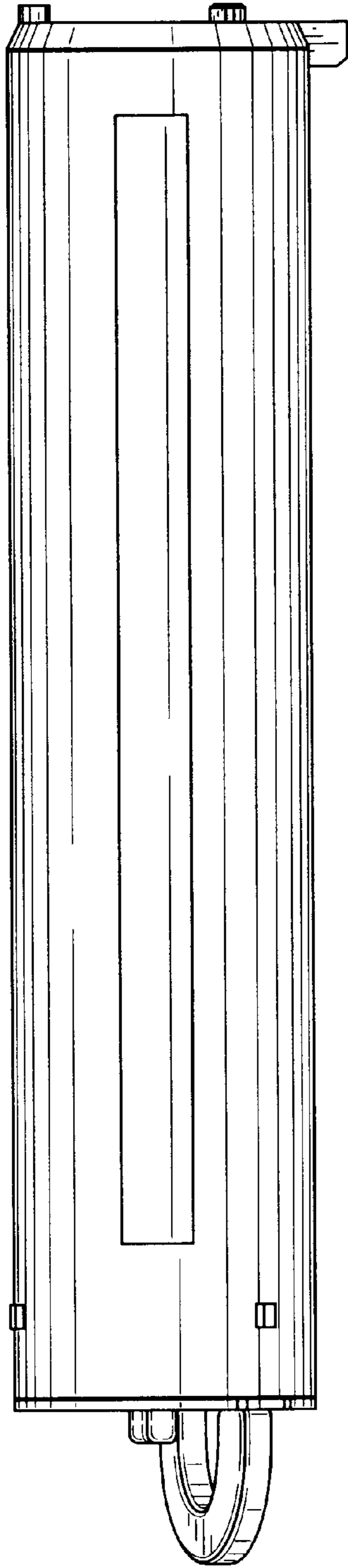


FIG. 4

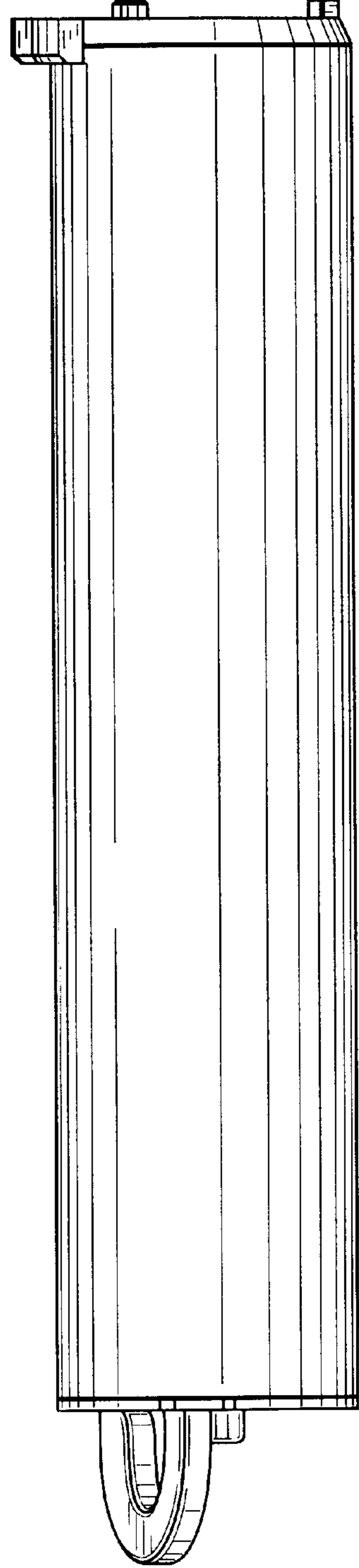


FIG. 5

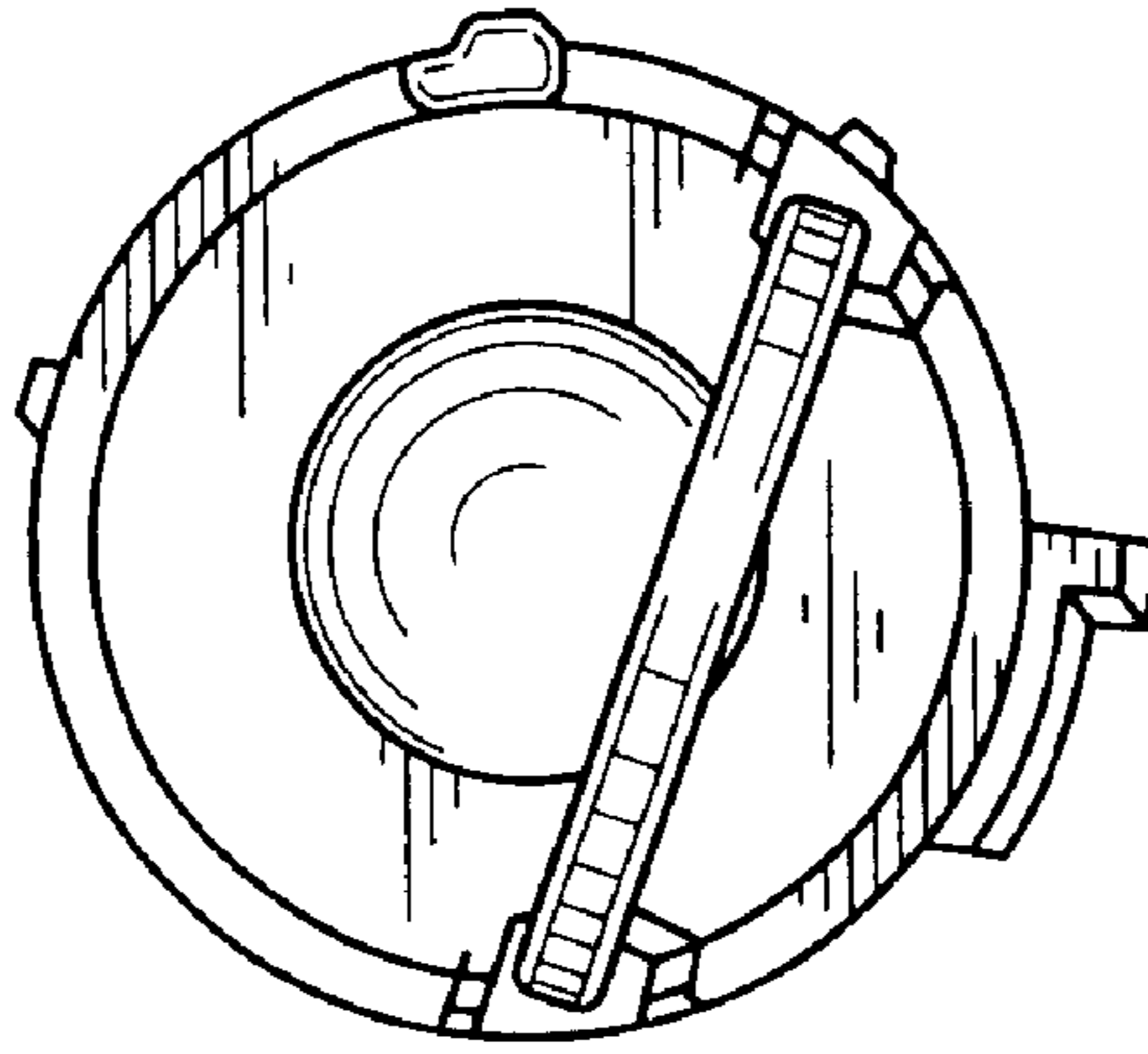
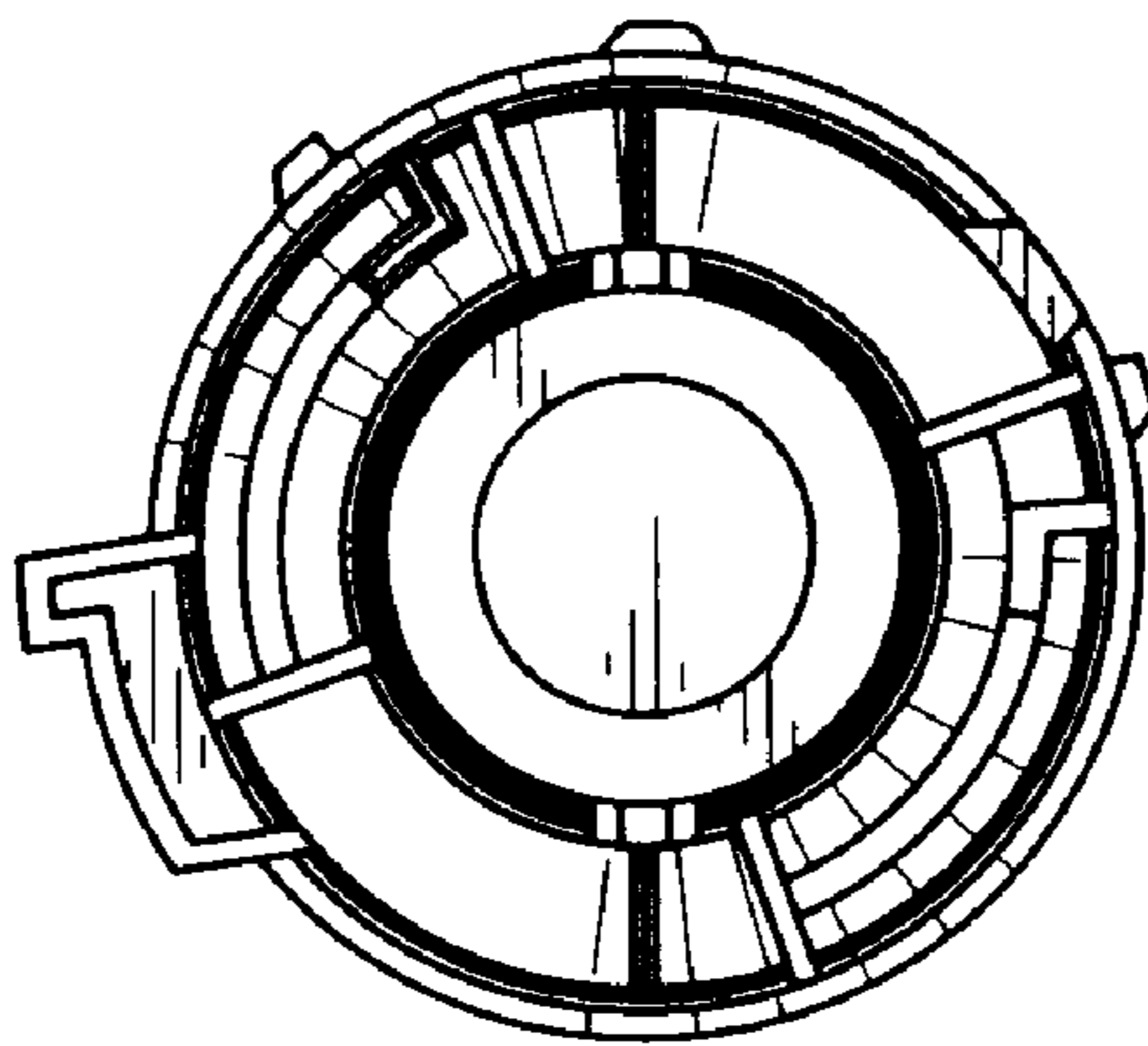


FIG. 6



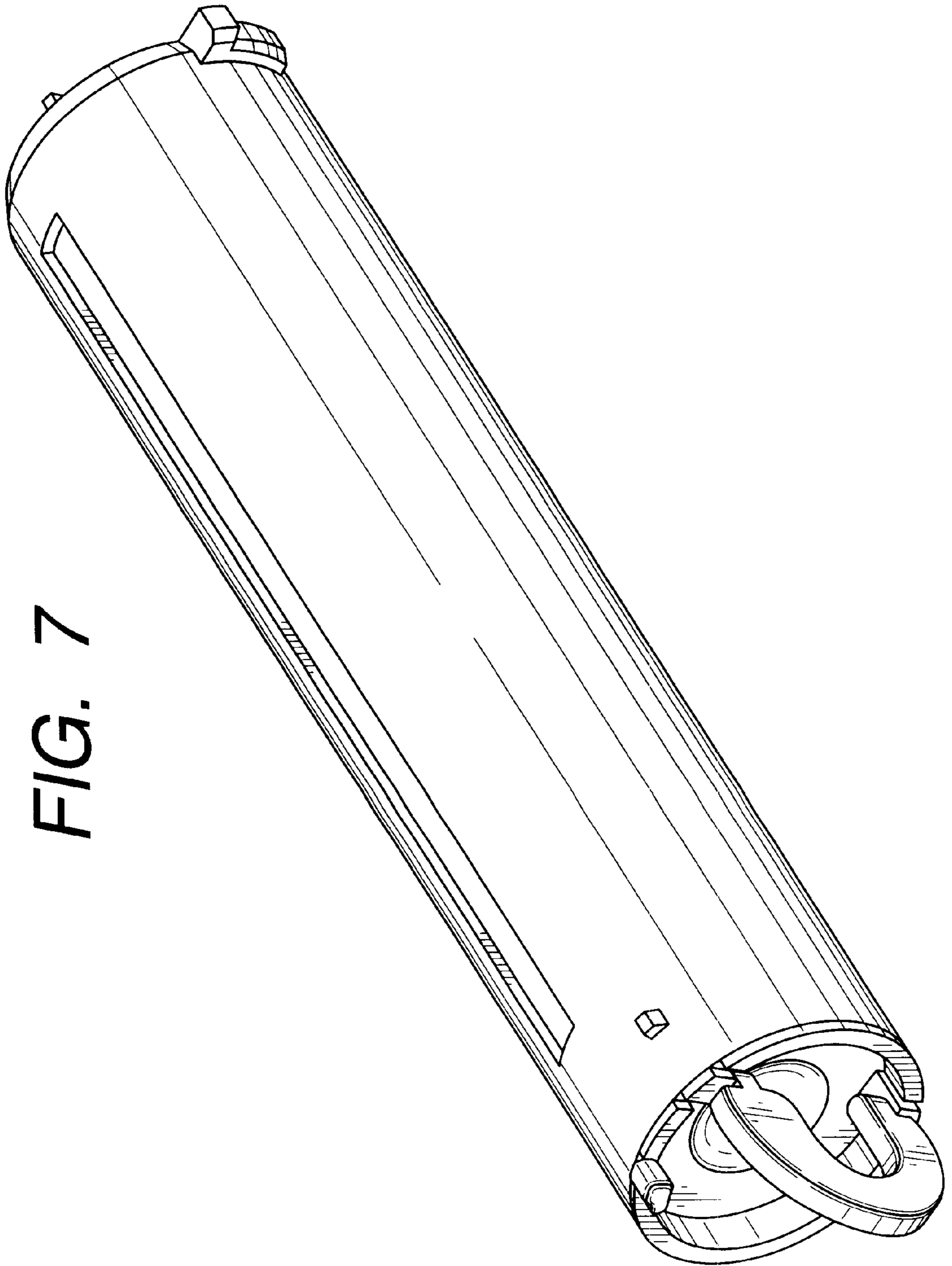


FIG. 7