



US00D477345S

(12) **United States Design Patent**
Hildreth

(10) **Patent No.:** **US D477,345 S**

(45) **Date of Patent:** **** Jul. 15, 2003**

(54) **SURVEILLANCE CAMERA HOUSING**

(75) **Inventor:** **James J. Hildreth, Ickleford (GB)**

(73) **Assignee:** **GE Interlogix Inc., Austin, TX (US)**

(**) **Term:** **14 Years**

D412,924 S	*	8/1999	Hiraguchi	D16/219
D416,273 S	*	11/1999	Yamakawa et al.	D16/203
D425,534 S	*	5/2000	Mutoh et al.	D16/203
6,064,430 A		5/2000	Lefkowitz	
6,249,310 B1		6/2001	Lefkowitz	
6,259,476 B1	*	7/2001	Greene	348/151
6,375,369 B1		4/2002	Schneider et al.	

(21) **Appl. No.:** **29/160,311**

(22) **Filed:** **May 8, 2002**

(51) **LOC (7) Cl.** **16-01**

(52) **U.S. Cl.** **D16/203**

(58) **Field of Search** D10/104, 106;
D16/200-204, 208, 218; 348/143, 151,
373-376; 396/427, 535, 536-541

FOREIGN PATENT DOCUMENTS

FR	2 693 868	7/1992
WO	DM/055 337	* 2/2001

OTHER PUBLICATIONS

CCTV Ad Slick for 800C Series of Color Surveillance Cameras, CCTV Corporation, p. 1, 1999.
 CCTV Ad Slick for "The Brute™ TKO-450/935C", CCTV Corporation, p. 1, 1999.
 CCTV Ad Slick for Indoor/Outdoor Rugged Camera "The Brute" TKO-450/935C, CCTV Corporation, p. 1, 1999.
 CCTV Ad Slick for High Resolution Passive Infrared Camera PI-370 PI-380, CCTV Corporation, p. 1, 1999.

* cited by examiner

Primary Examiner—Adir Aronovich

(74) *Attorney, Agent, or Firm*—Lerner, David, Littenberg, Krumholz & Mentlik, LLP

(56) **References Cited**

U.S. PATENT DOCUMENTS

3,535,442 A	10/1970	Jennings	
3,732,368 A	5/1973	Mahlab	
3,935,380 A	1/1976	Coutta	
4,080,629 A	3/1978	Hammond et al.	
4,160,999 A	7/1979	Claggett	
4,217,606 A	8/1980	Nordmann	
4,337,482 A	6/1982	Coutta	
D275,294 S	* 8/1984	Pagano	D16/203
4,772,942 A	9/1988	Tuck	
4,918,473 A	4/1990	Blackshear	
4,963,962 A	10/1990	Kruegle et al.	
4,982,281 A	1/1991	Gutierrez	
5,023,725 A	6/1991	McCutchen	
D320,028 S	* 9/1991	Sedighzadeh et al.	D16/203
5,130,794 A	7/1992	Ritchey	
5,155,474 A	10/1992	Park et al.	
D339,365 S	* 9/1993	Urcuilio	D16/203
D340,202 S	10/1993	Fenne et al.	
D341,135 S	11/1993	Sedighzadeh et al.	
5,293,243 A	3/1994	Degnan et al.	
5,440,337 A	8/1995	Henderson et al.	
5,568,189 A	10/1996	Kneller	
D382,217 S	8/1997	Akiyama et al.	
D386,101 S	11/1997	Kawabata	
D399,157 S	10/1998	Hsu et al.	

(57) **CLAIM**

The ornamental design for a surveillance camera housing, as shown and described.

DESCRIPTION

FIG. 1 is a top, front and left side perspective view of a surveillance camera housing showing my new design;
 FIG. 2 is a front elevational view thereof;
 FIG. 3 is a left side elevational view thereof, the undisclosed right side elevational view being a mirror image of that shown in FIG. 2; and,
 FIG. 4 is top plan view thereof, the undisclosed bottom plan view being a mirror image of that shown in FIG. 3.

1 Claim, 1 Drawing Sheet

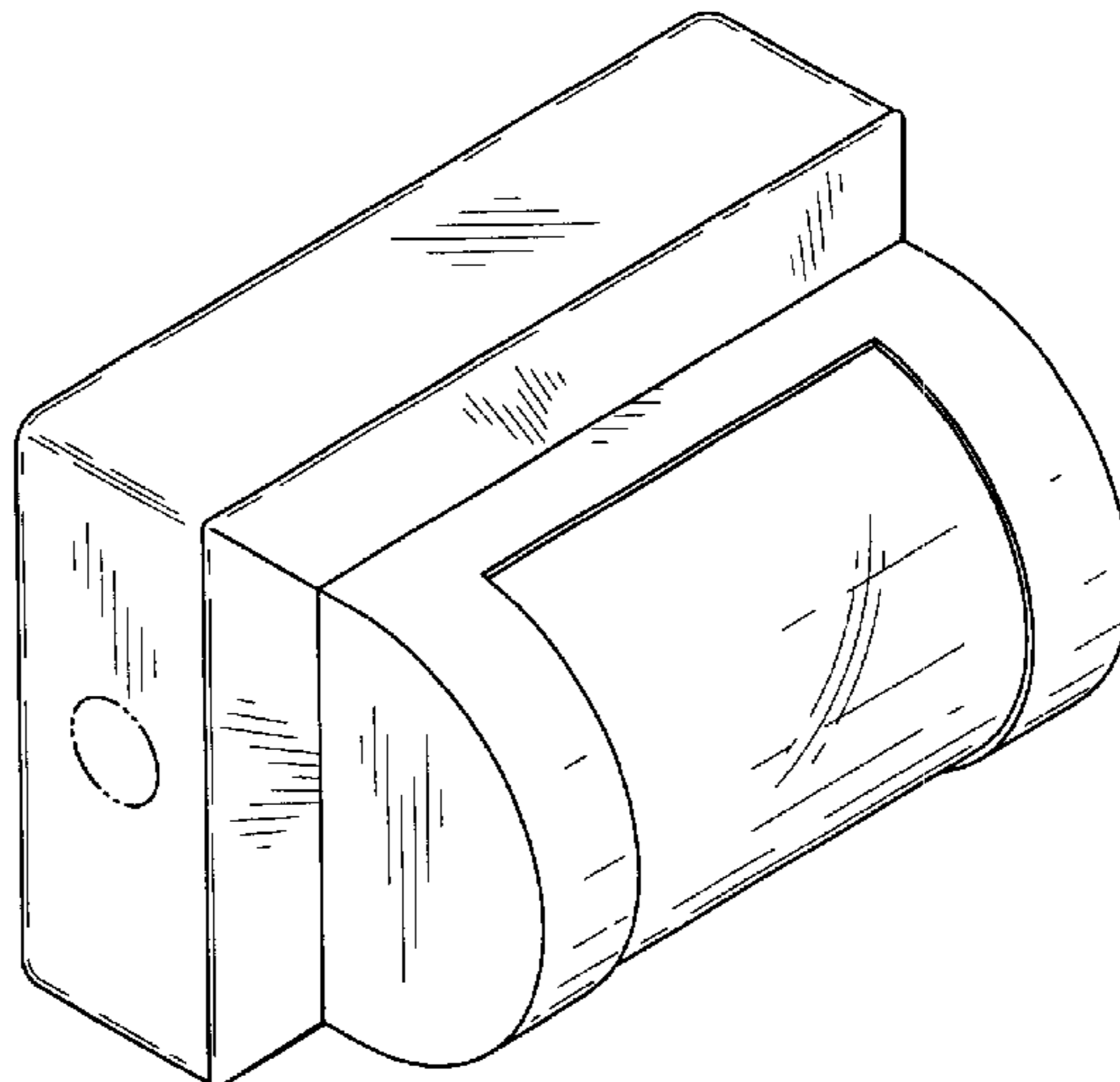


FIG. 1

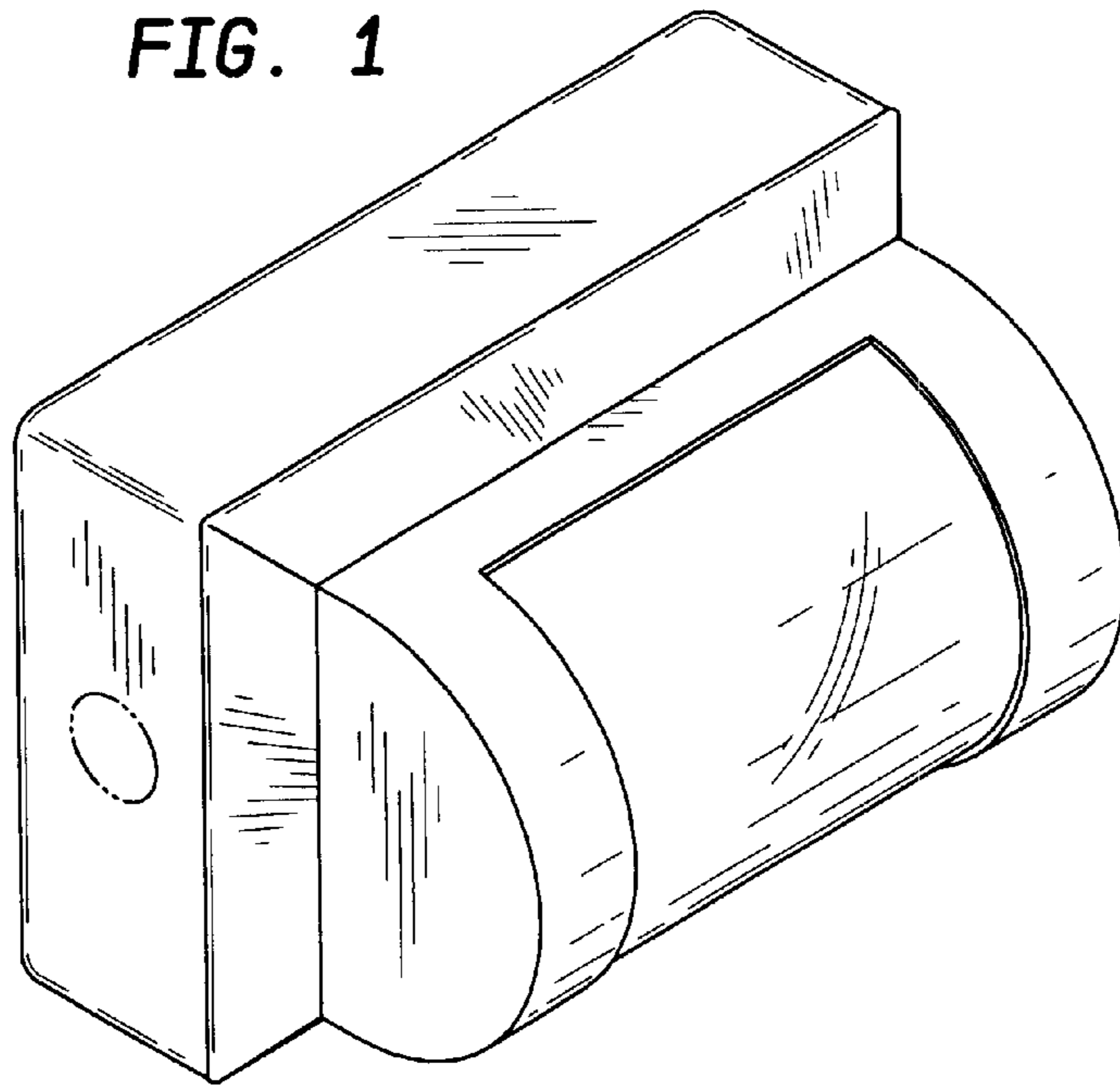


FIG. 2

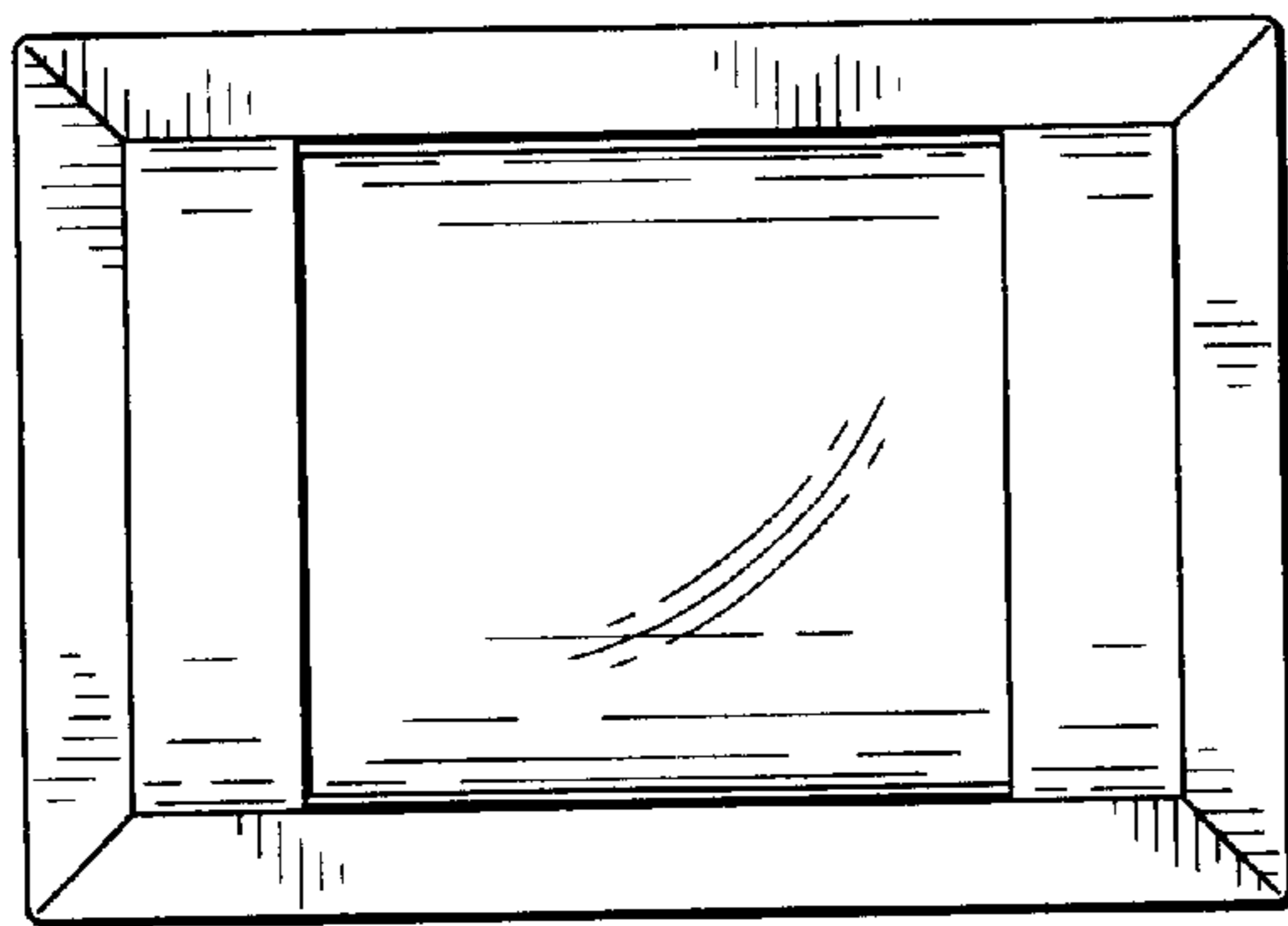


FIG. 3

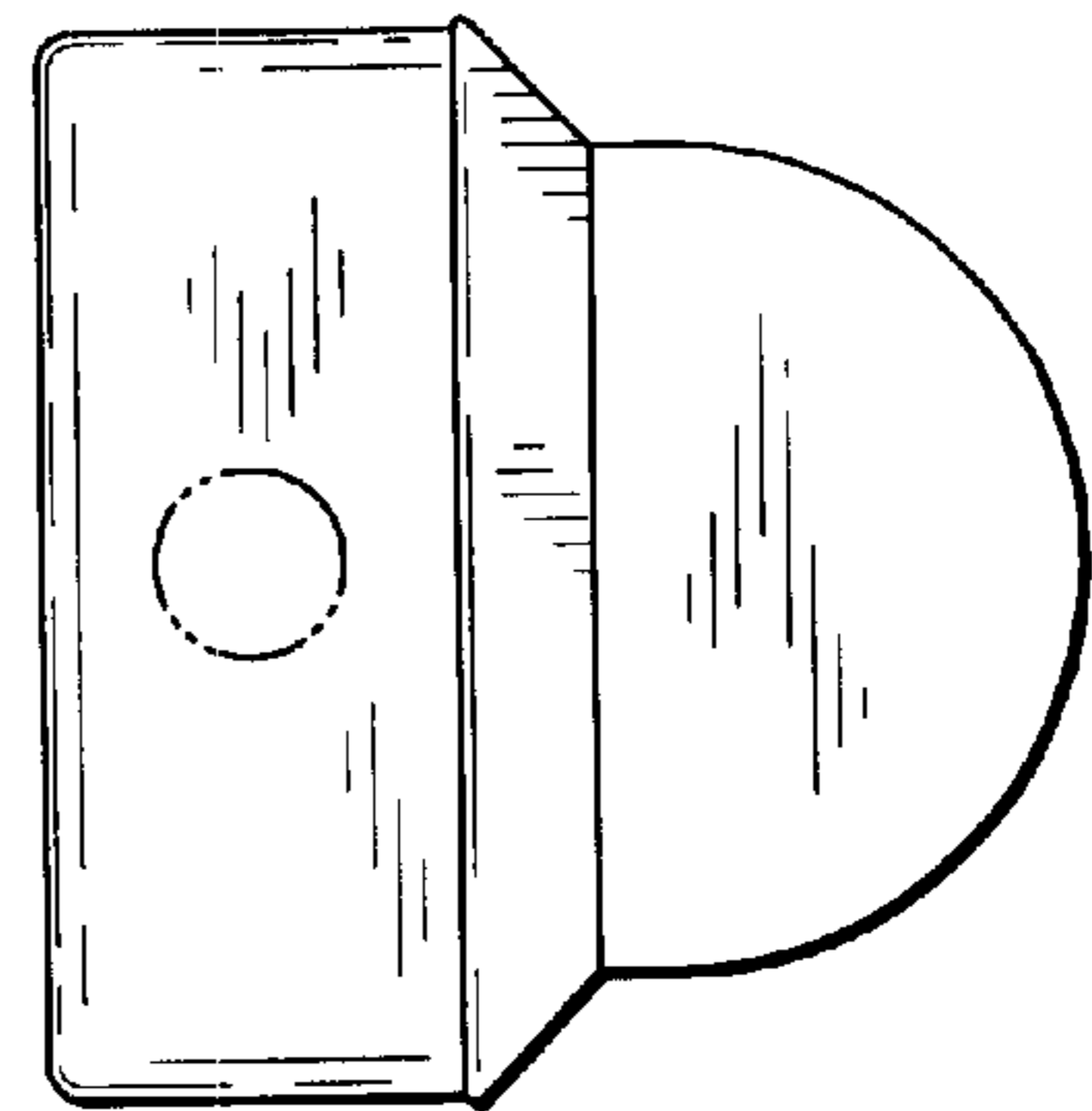


FIG. 4

