



US00D477341S

(12) **United States Design Patent**
Lee

(10) **Patent No.:** **US D477,341 S**

(45) **Date of Patent:** **** Jul. 15, 2003**

(54) **POWER SAW**

6,439,218 B1 * 8/2002 Hulett 125/13.01

(76) Inventor: **Wy Peron Lee**, 1595 E. 6th St., Suite
B, Corona, CA (US) 92879

* cited by examiner

(**) Term: **14 Years**

Primary Examiner—Antoine Duval Davis
(74) *Attorney, Agent, or Firm*—Raymond Y. Chan; David
and Raymond Patent Group

(21) Appl. No.: **29/174,834**

(57) **CLAIM**

(22) Filed: **Jan. 27, 2003**

The ornamental design for a power saw, as shown.

(51) **LOC (7) Cl.** **15-09**

DESCRIPTION

(52) **U.S. Cl.** **D15/133**

(58) **Field of Search** D15/133; 125/13.01–13.03,
125/14, 16.03, 17, 35; 83/168, 169, 574;
451/449, 454, 361, 360

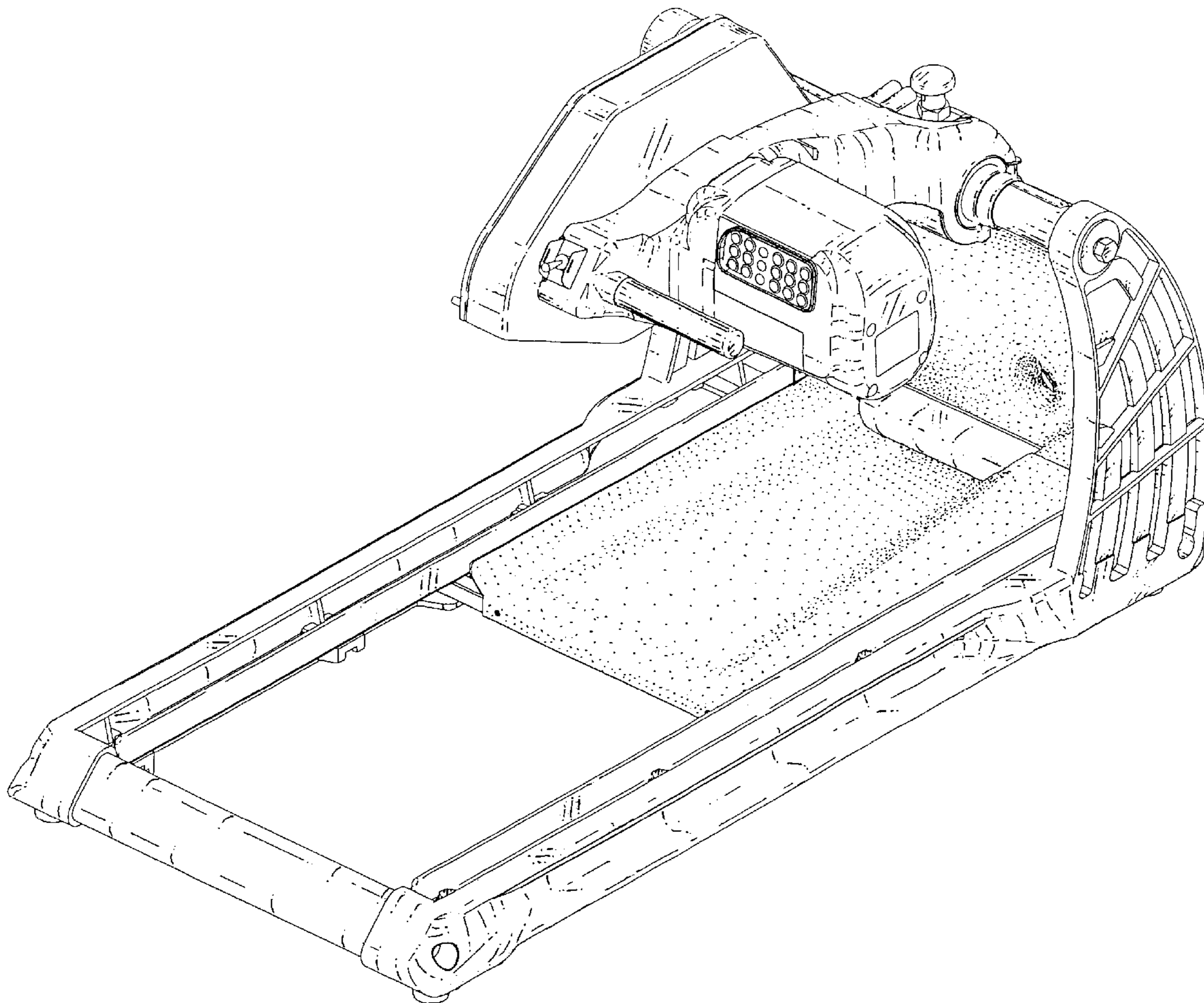
FIG. 1 is a perspective view showing my new design.
FIG. 2 is a front view thereof.
FIG. 3 is a rear view thereof.
FIG. 4 is a left end view thereof.
FIG. 5 is a right end view thereof.
FIG. 6 is a top view thereof; and,
FIG. 7 is a bottom view thereof.

(56) **References Cited**

U.S. PATENT DOCUMENTS

D418,846 S * 1/2000 Chen D15/133
D451,109 S * 11/2001 Governo et al. D15/133

1 Claim, 7 Drawing Sheets



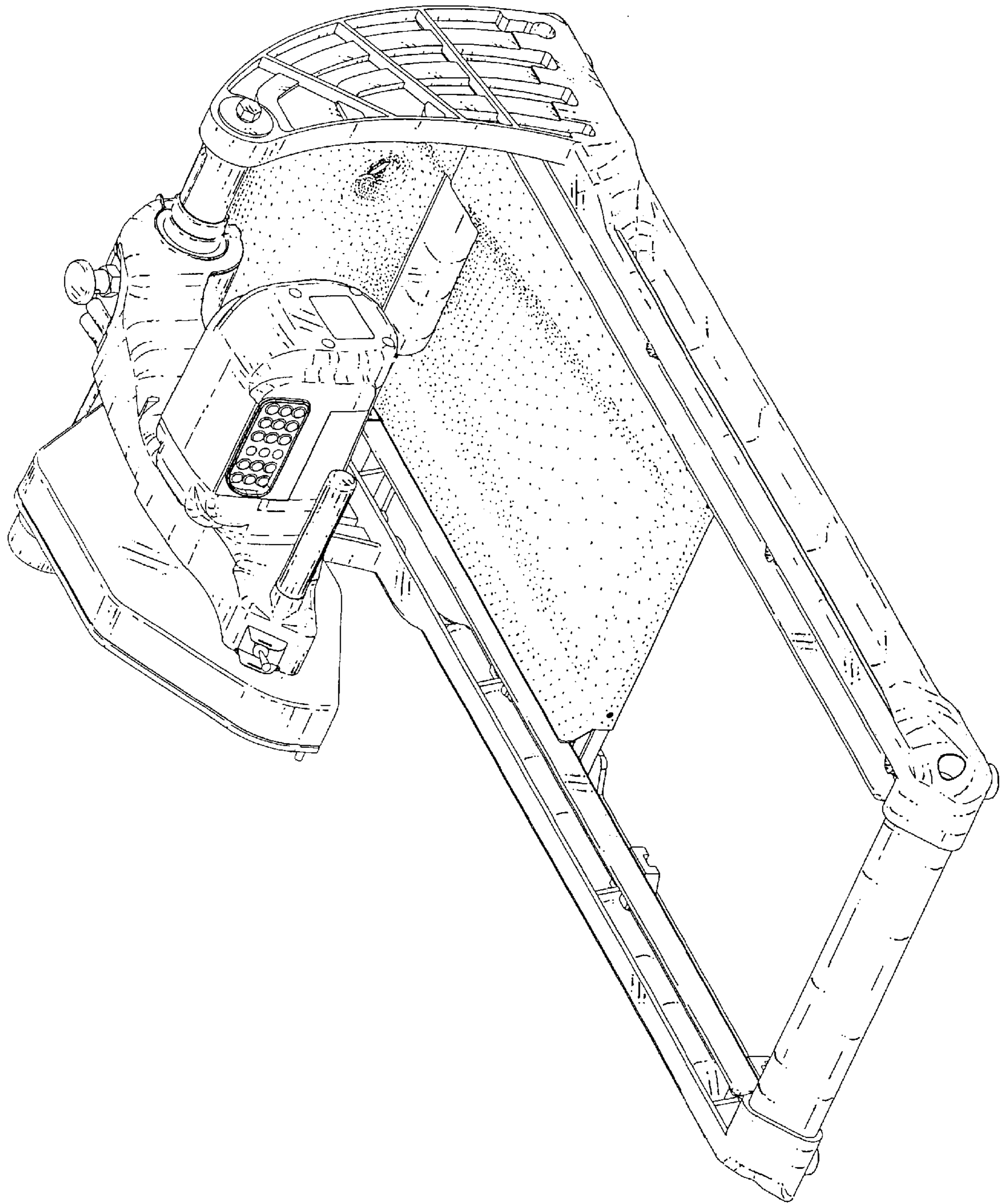


FIG. 1

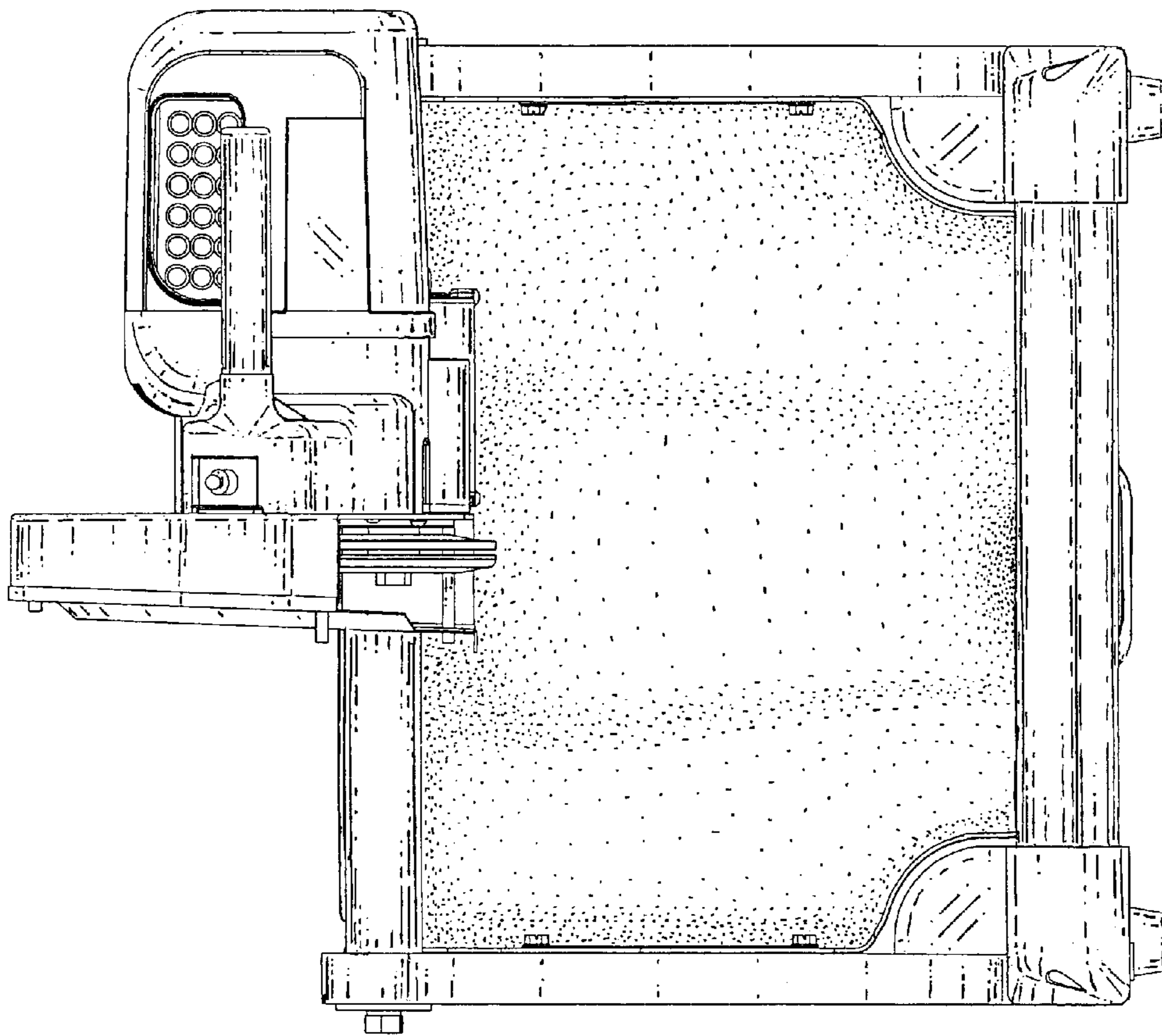


FIG. 2

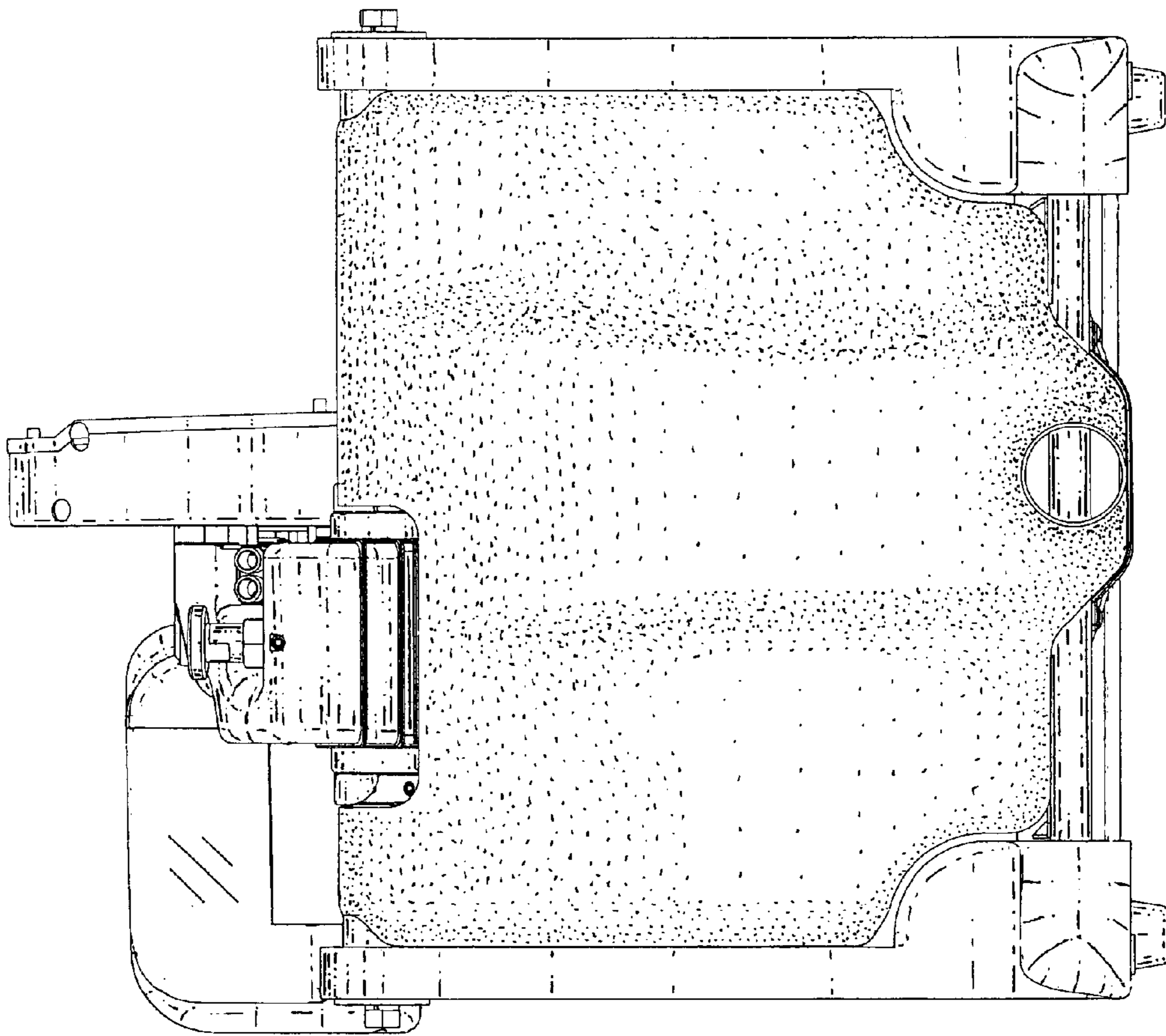


FIG. 3

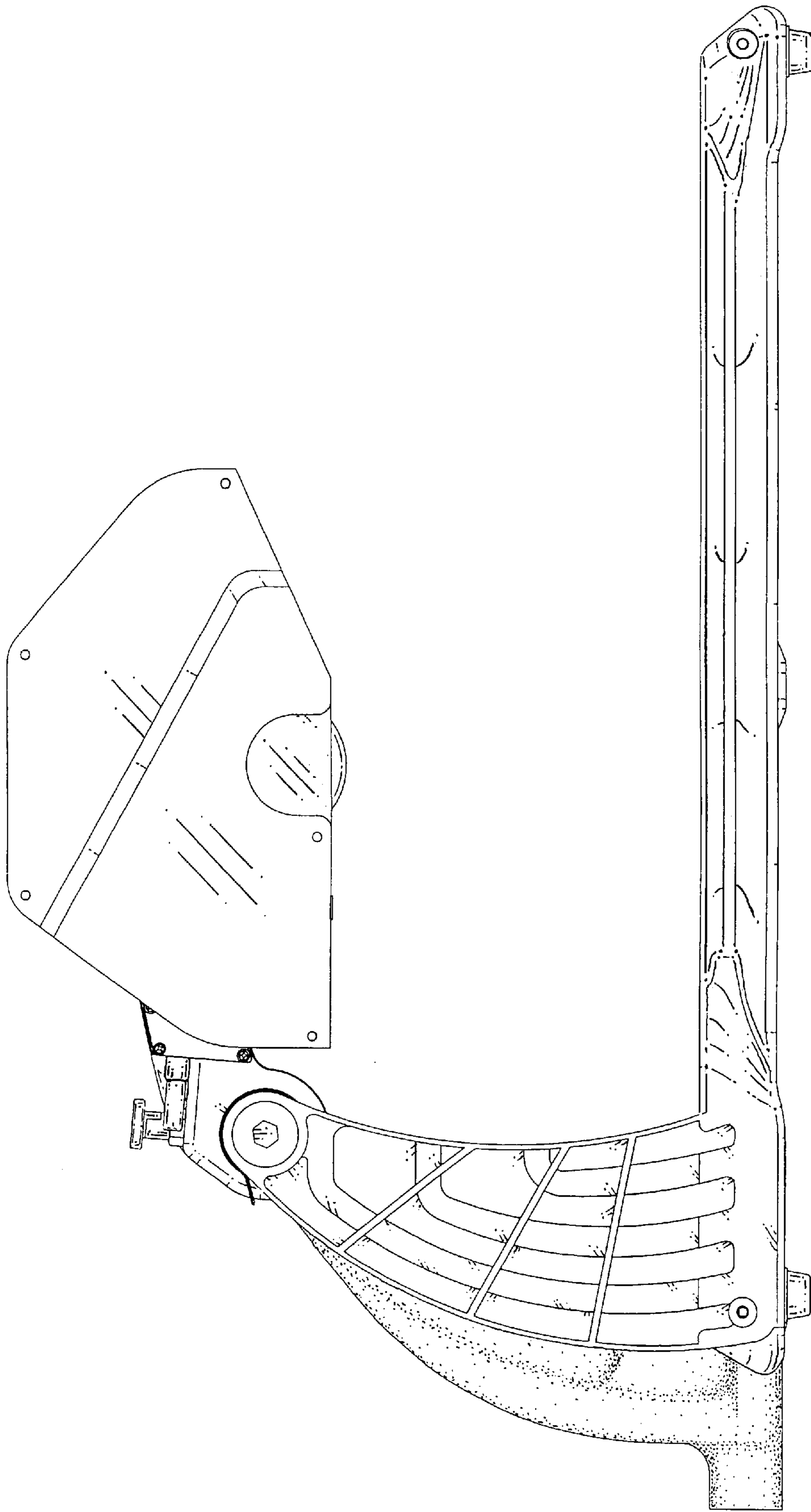


FIG. 4

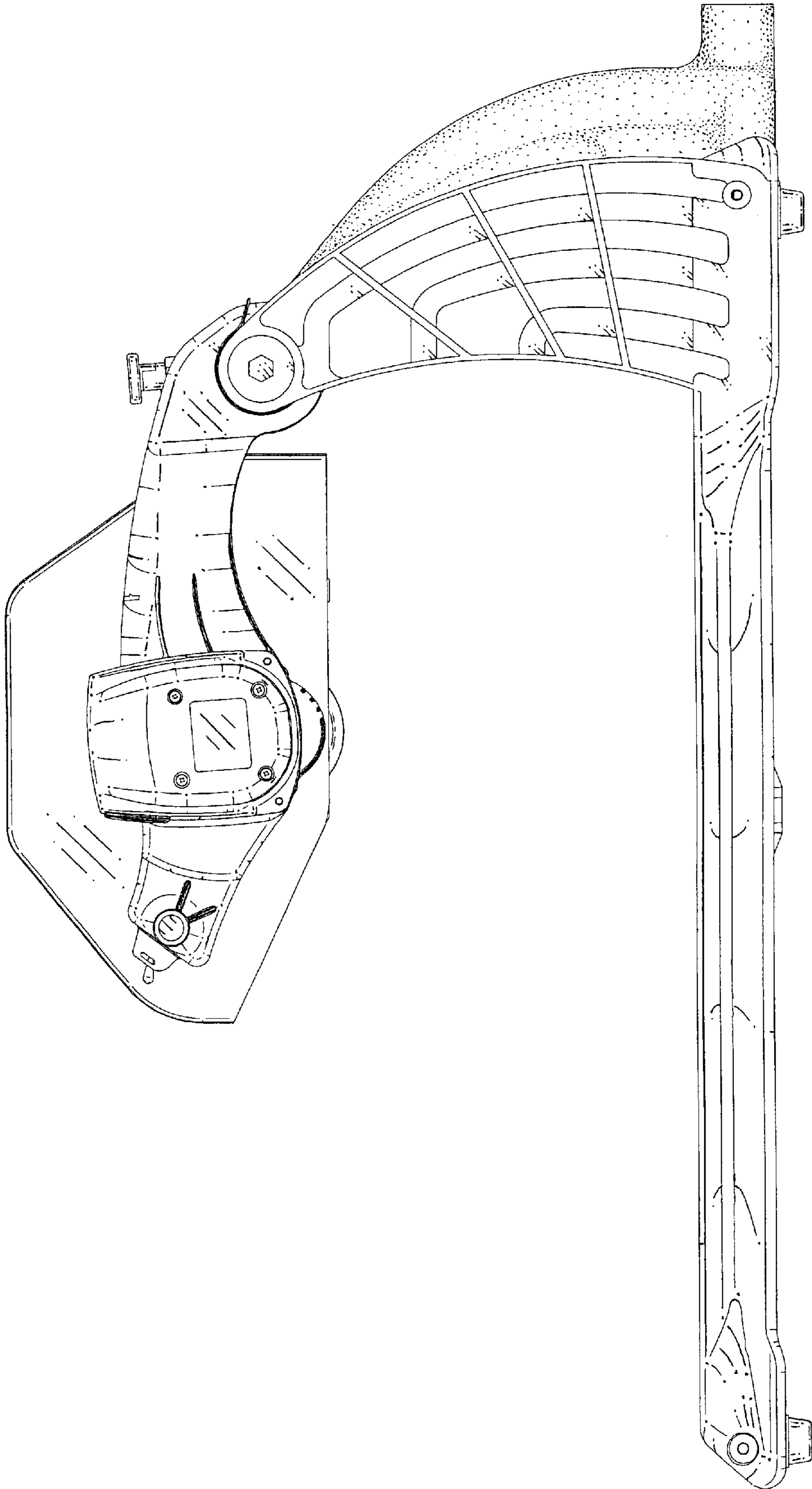


FIG. 5

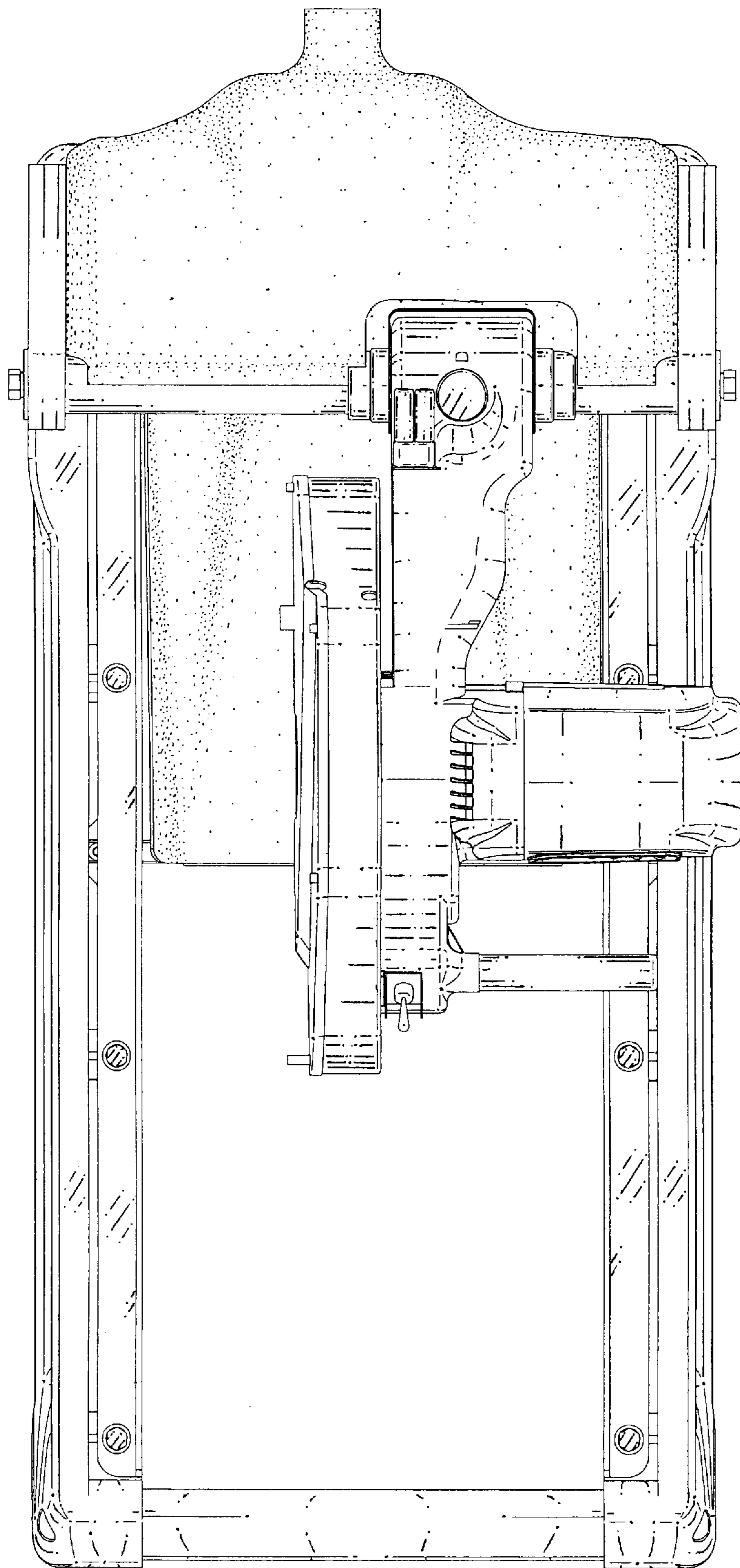


FIG. 6

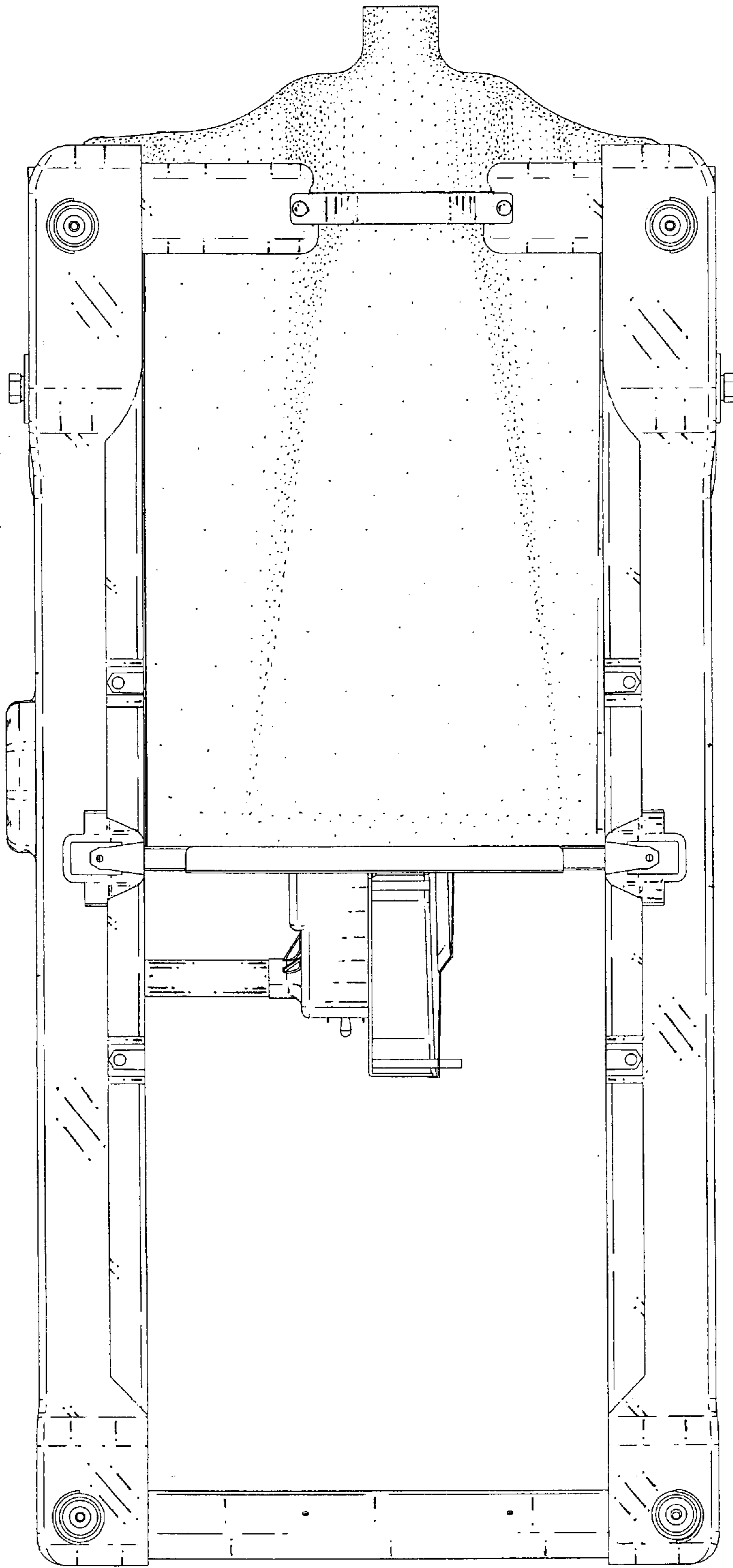


FIG. 7