



US00D477334S

(12) **United States Design Patent**
Shimizu et al.

(10) **Patent No.:** **US D477,334 S**

(45) **Date of Patent:** **** Jul. 15, 2003**

(54) **THREAD CASSETTE FOR AN EMBROIDERY MACHINE**

(75) Inventors: **Yasuhiro Shimizu**, Motosu-gun (JP);
Nobuyuki Iwai, Nagoya (JP);
Toshiyuki Mamiya, Nagoya (JP);
Akira Terao, Nagoya (JP)

(73) Assignee: **Brother Industries, Ltd.**, Nagoya (JP)

(**) Term: **14 Years**

(21) Appl. No.: **29/168,762**

(22) Filed: **Oct. 9, 2002**

Related U.S. Application Data

(62) Division of application No. 29/151,302, filed on Dec. 7, 2001, now Pat. No. Des. 467,595.

(30) **Foreign Application Priority Data**

Jun. 13, 2001 (JP) 2001-17202

(51) **LOC (7) Cl.** **15-06**

(52) **U.S. Cl.** **D15/66**

(58) **Field of Search** D15/66-72; D14/420;
112/445-448, 236, 121.11, 121.12, 217.1,
258-262.1

(56) **References Cited**

U.S. PATENT DOCUMENTS

D369,171 S 4/1996 Jonson
D384,945 S 10/1997 Takada et al.

Primary Examiner—Mitchell Siegel

(74) *Attorney, Agent, or Firm*—Oliff & Berridge, PLC

(57) **CLAIM**

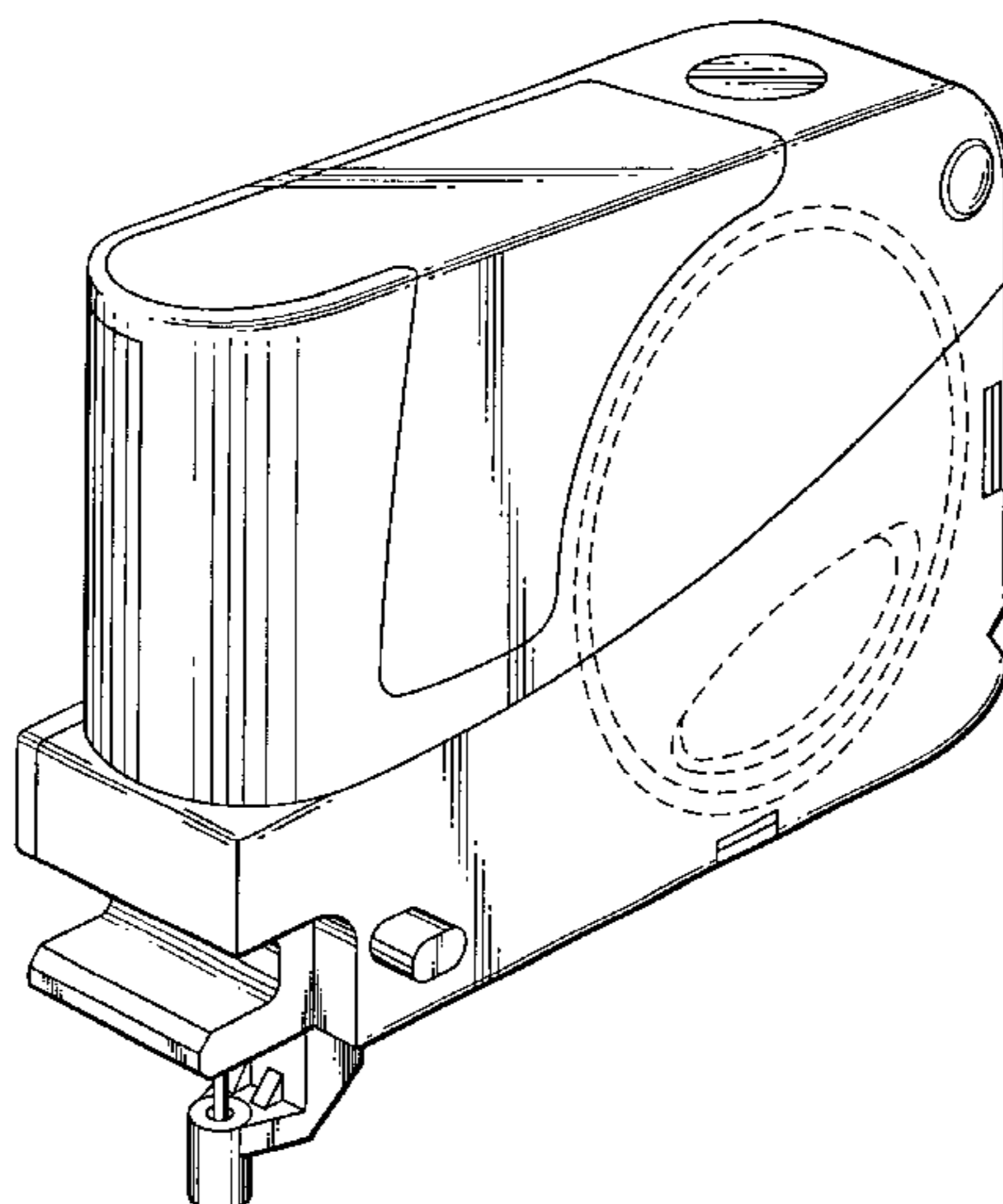
The ornamental design for a thread cassette for an embroidery machine, as shown and described.

DESCRIPTION

FIG. 1 is a front view of a first embodiment of a thread cassette for an embroidery machine;

FIG. 2 is a rear view thereof;
FIG. 3 is a left view thereof;
FIG. 4 is a right view thereof;
FIG. 5 is a top view thereof;
FIG. 6 is a bottom view thereof; and
FIG. 7 is a perspective view thereof;
FIG. 8 is a front view of a second embodiment of a thread cassette for an embroidery machine;
FIG. 9 is a rear view thereof;
FIG. 10 is a left view thereof;
FIG. 11 is a right view thereof;
FIG. 12 is a top view thereof;
FIG. 13 is a bottom view thereof; and
FIG. 14 is a perspective view thereof;
FIG. 15 is a front view of a third embodiment of a thread cassette for an embroidery machine;
FIG. 16 is a rear view thereof;
FIG. 17 is a left view thereof;
FIG. 18 is a right view thereof;
FIG. 19 is a top view thereof;
FIG. 20 is a bottom view thereof; and
FIG. 21 is a perspective view thereof;
FIG. 22 is a front view of a fourth embodiment of a thread cassette for an embroidery machine;
FIG. 23 is a rear view thereof;
FIG. 24 is a left view thereof;
FIG. 25 is a right view thereof;
FIG. 26 is a top view thereof;
FIG. 27 is a bottom view thereof; and
FIG. 28 is a perspective view thereof;
FIG. 29 is a front view of a fifth embodiment of a thread cassette for an embroidery machine;
FIG. 30 is a rear view thereof;
FIG. 31 is a left view thereof;
FIG. 32 is a right view thereof;
FIG. 33 is a top view thereof;
FIG. 34 is a bottom view thereof; and
FIG. 35 is a perspective view thereof.
The broken line showing is for illustrative purposes only and forms no part of the claimed design.

1 Claim, 20 Drawing Sheets



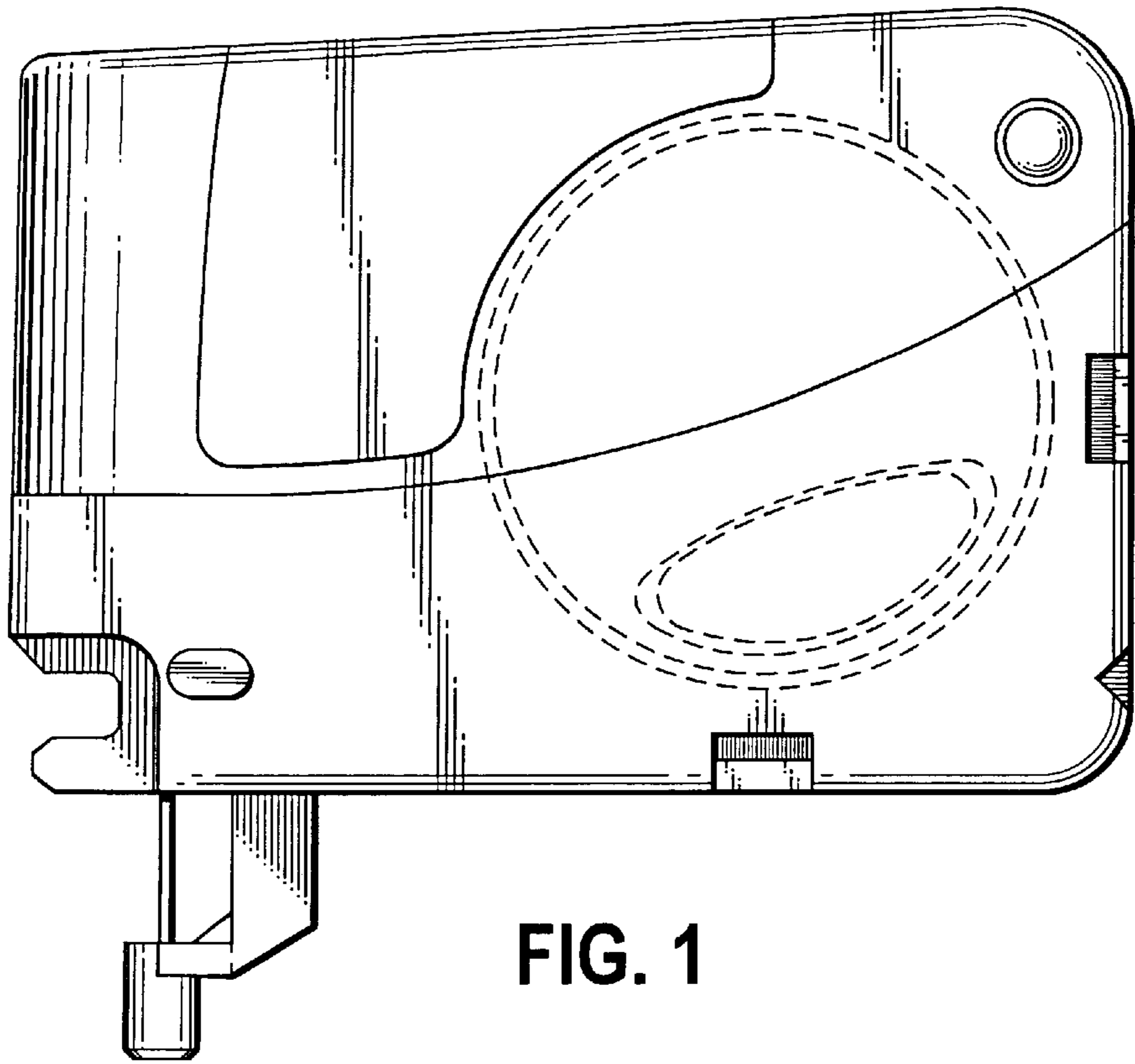


FIG. 1

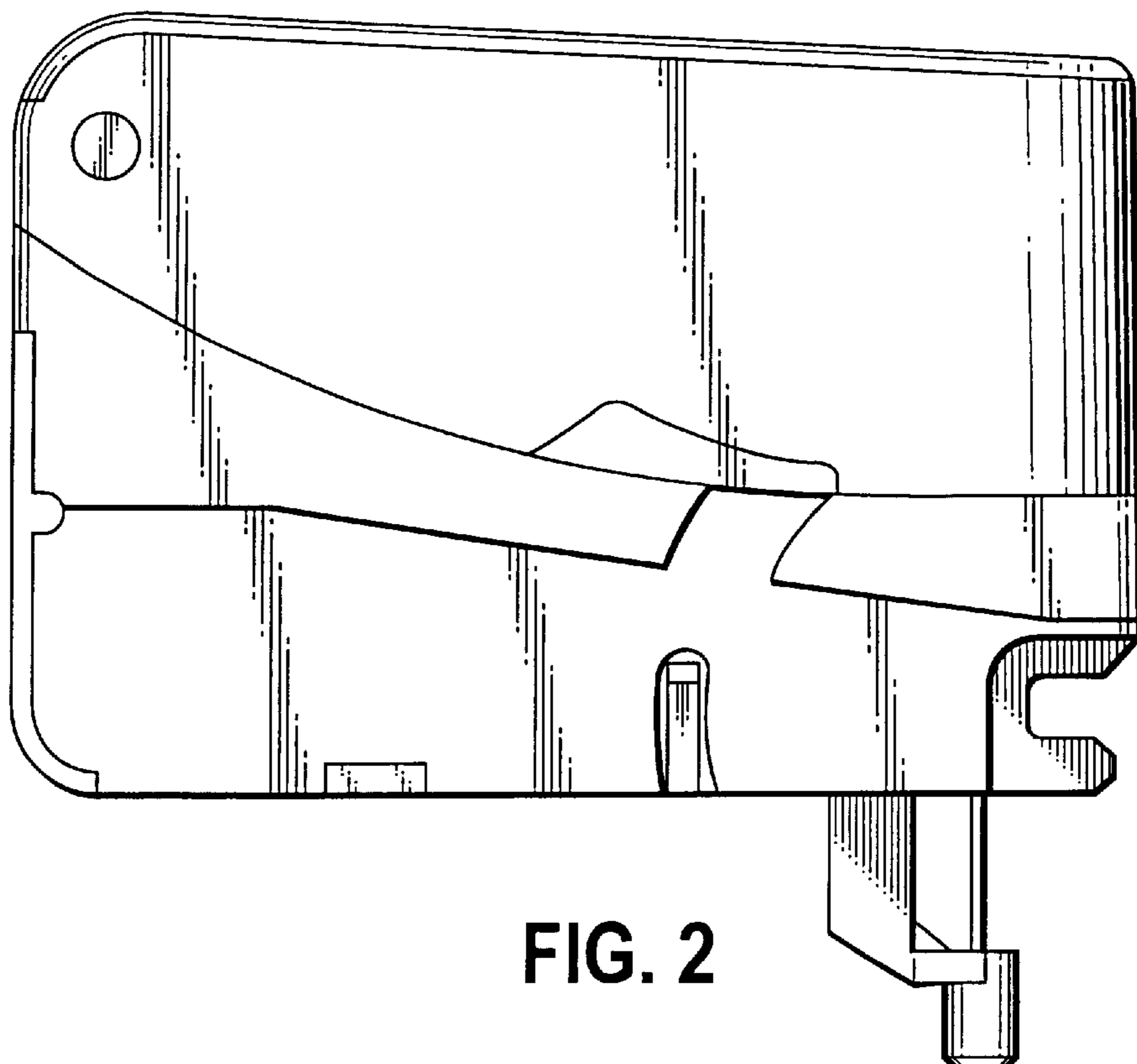


FIG. 2

FIG. 3

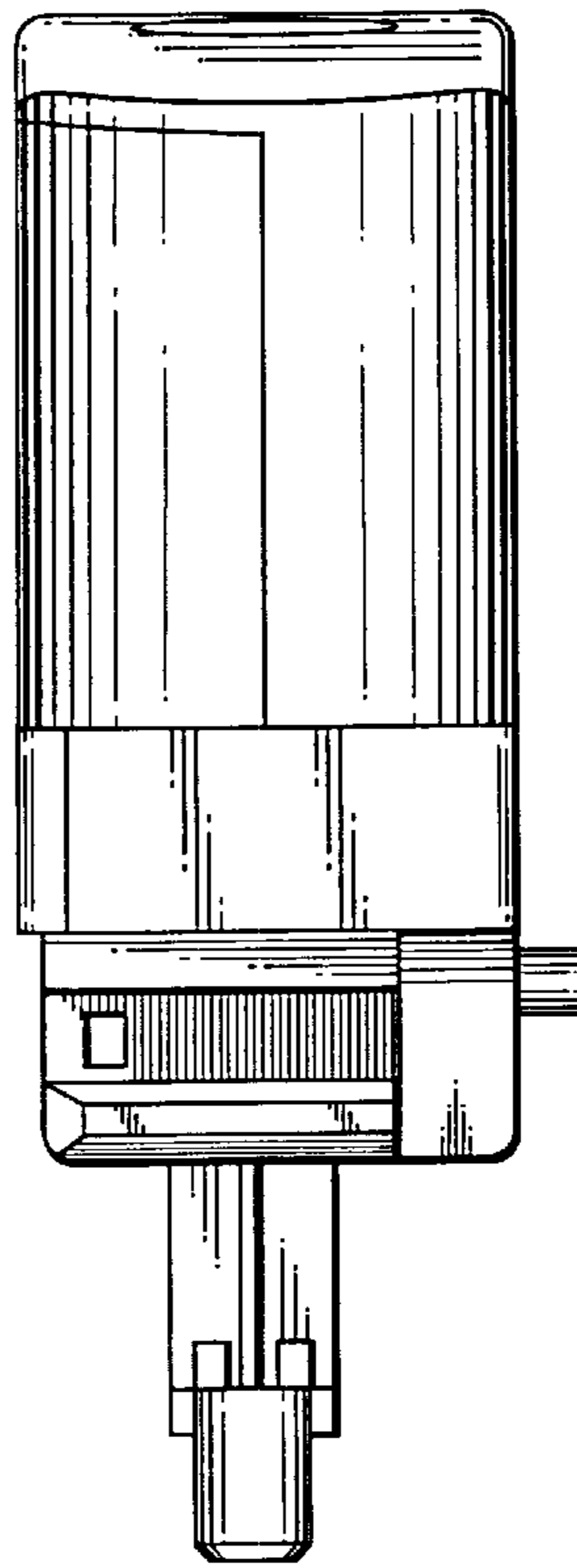
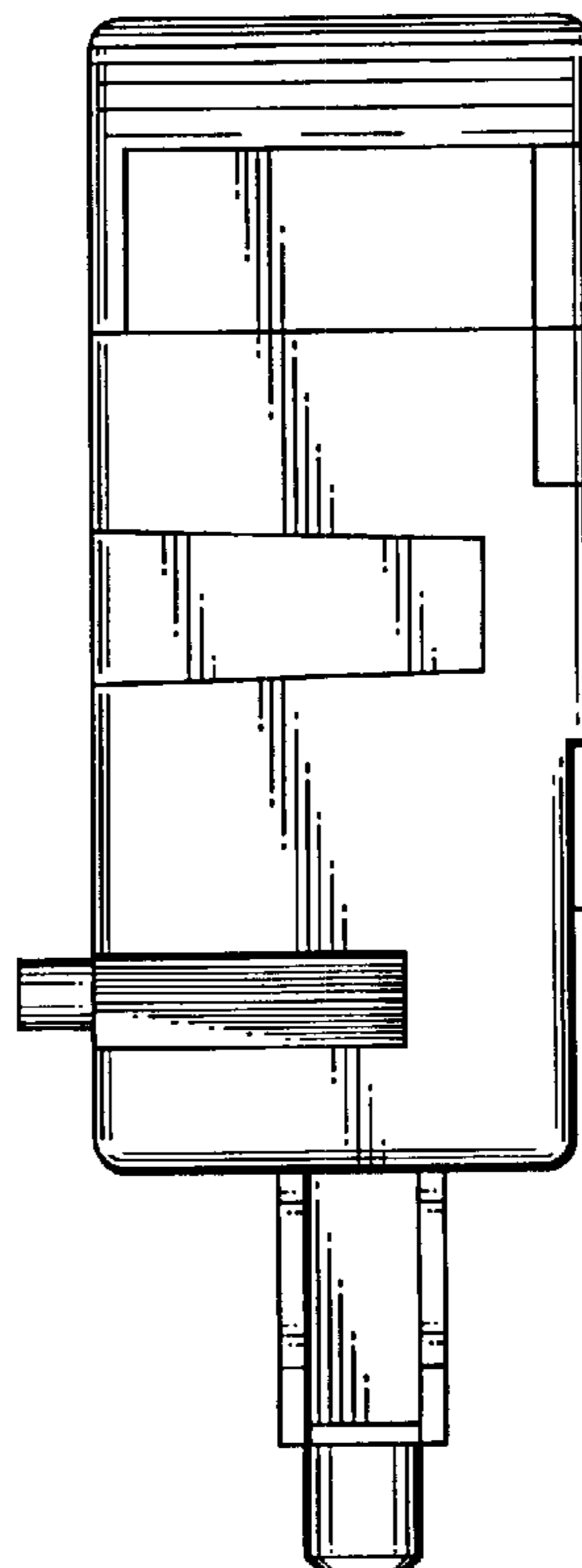


FIG. 4



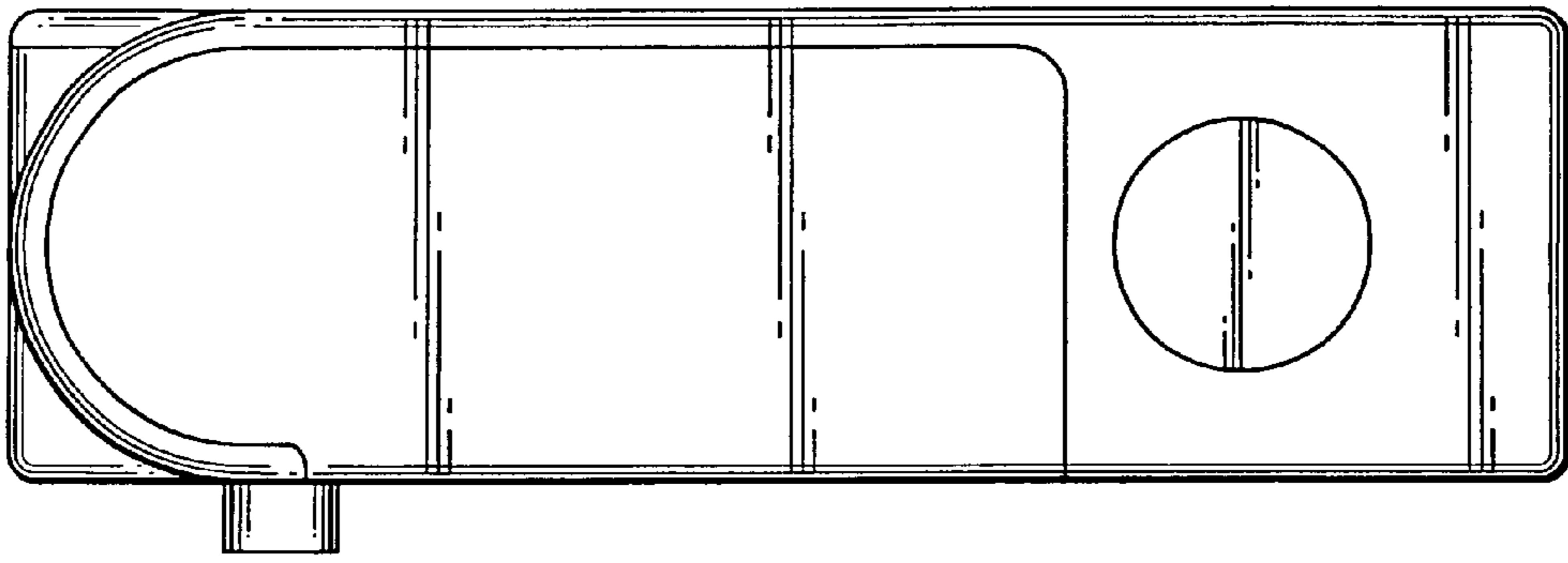


FIG. 5

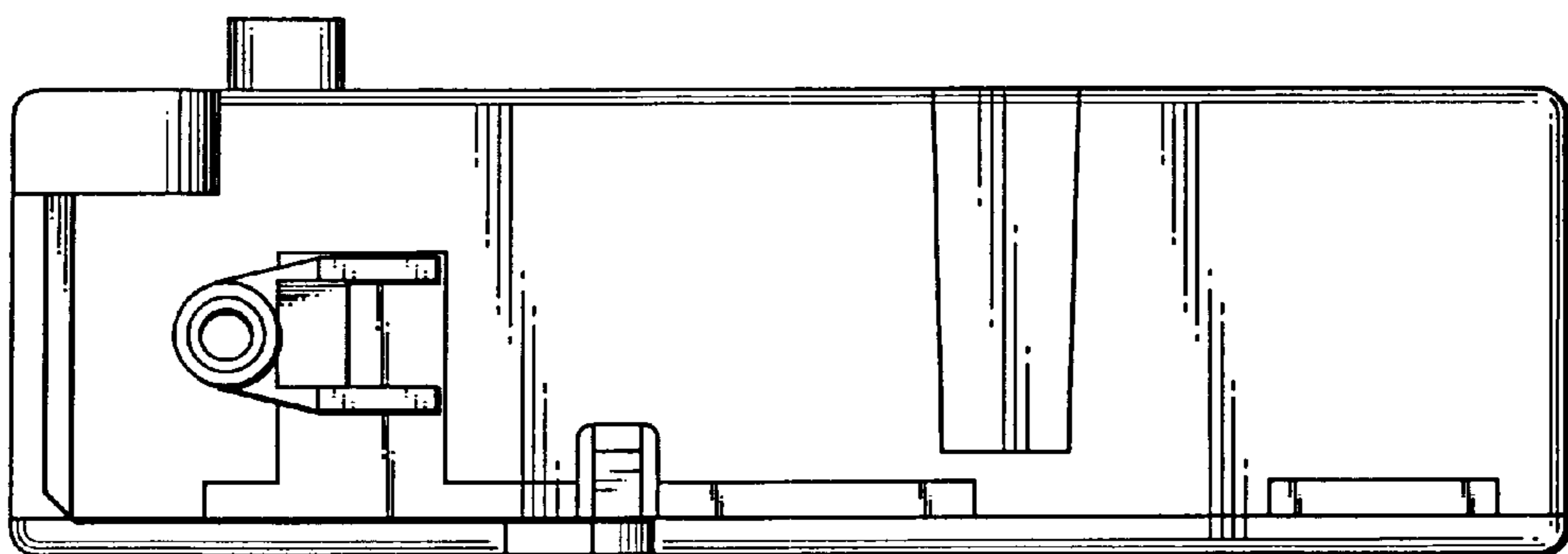


FIG. 6

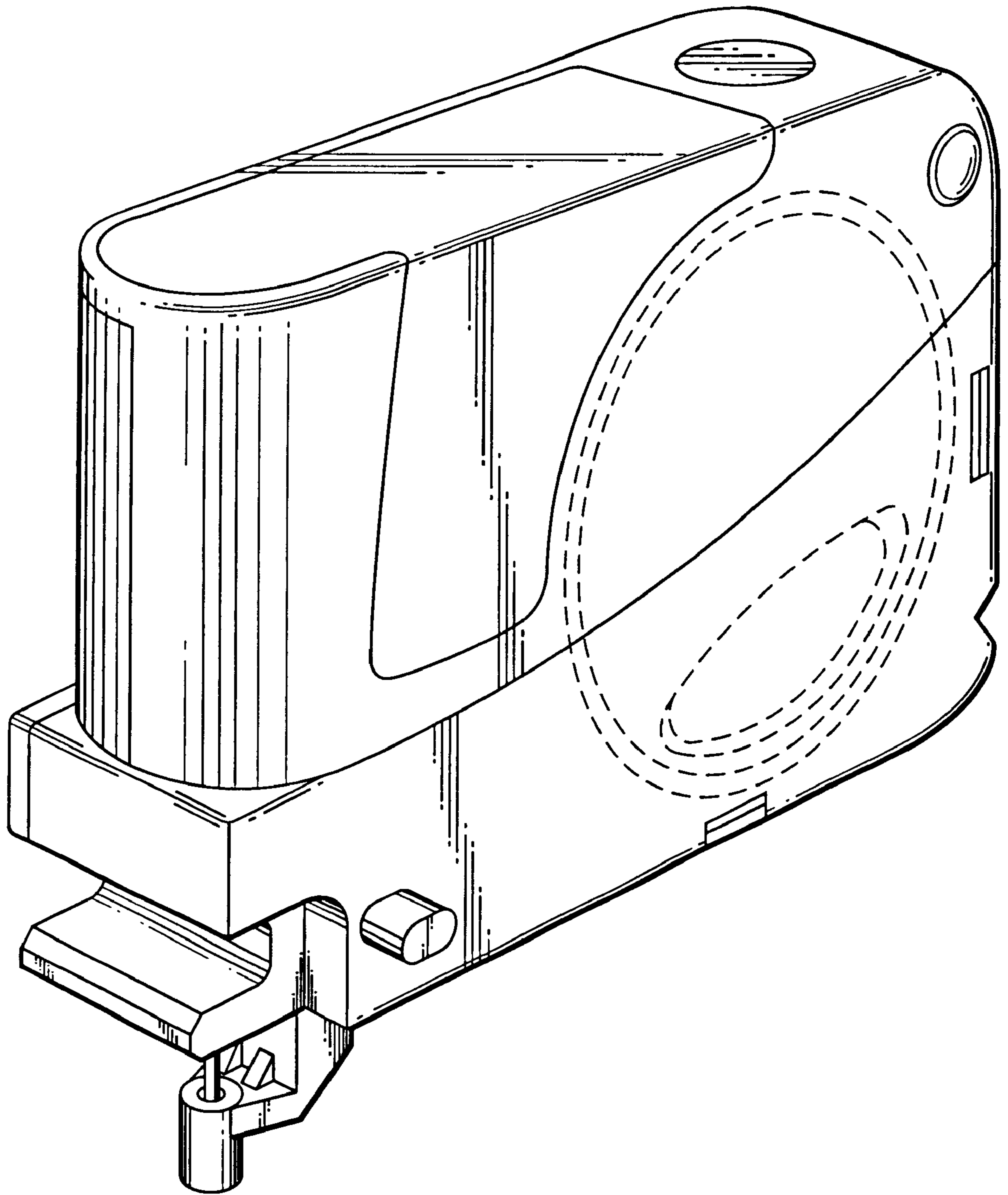


FIG. 7

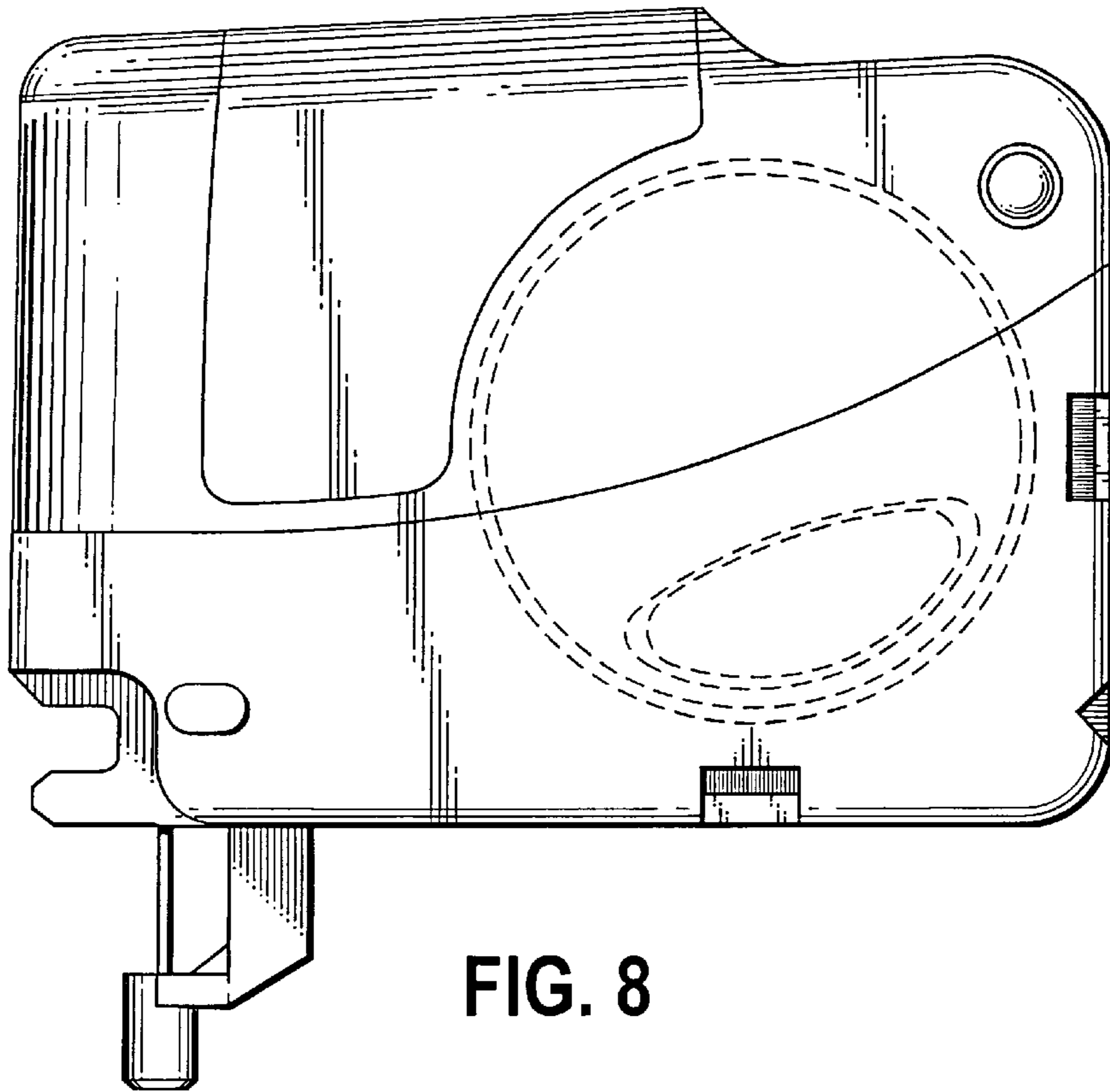


FIG. 8

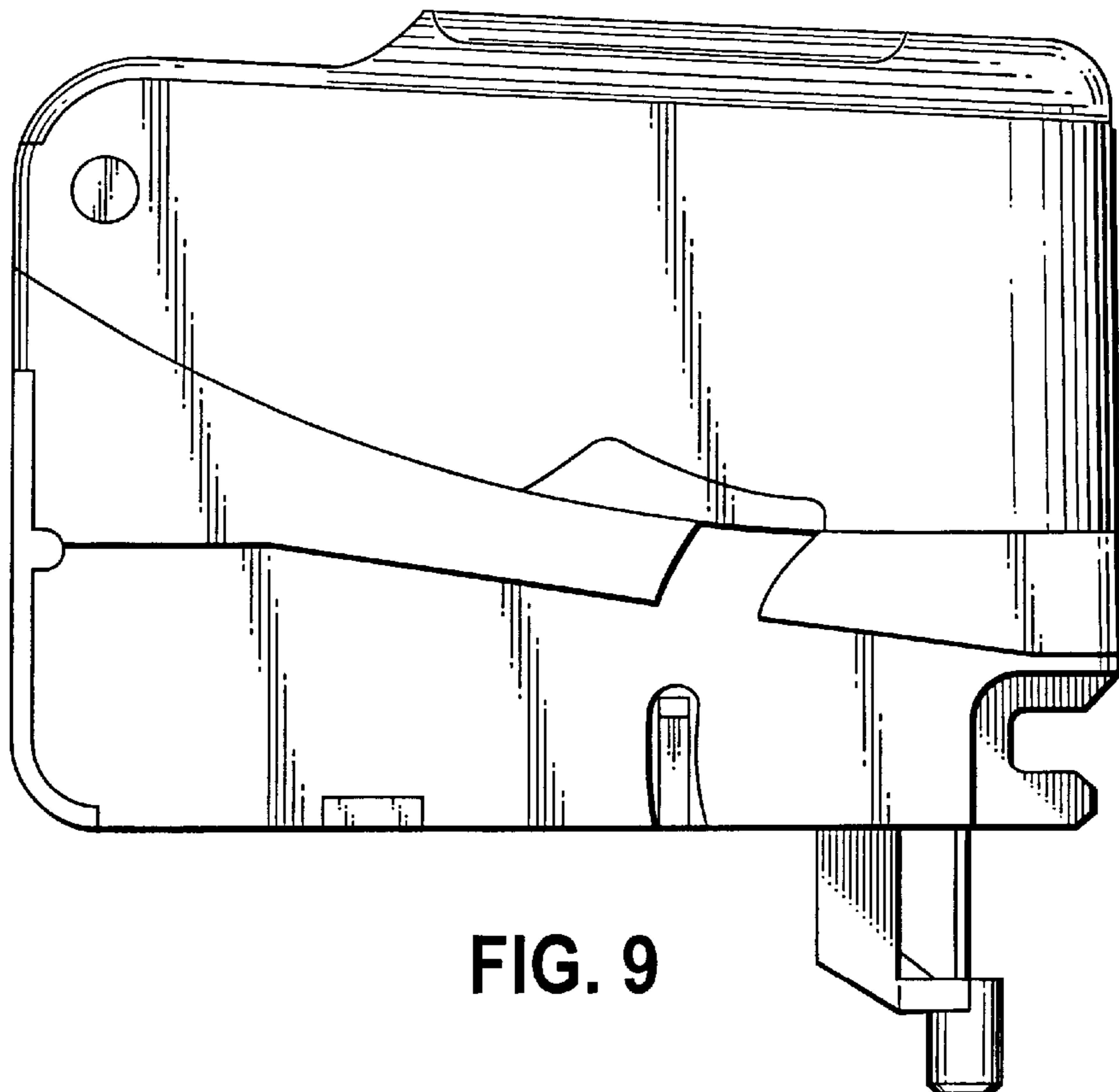


FIG. 9

FIG. 10

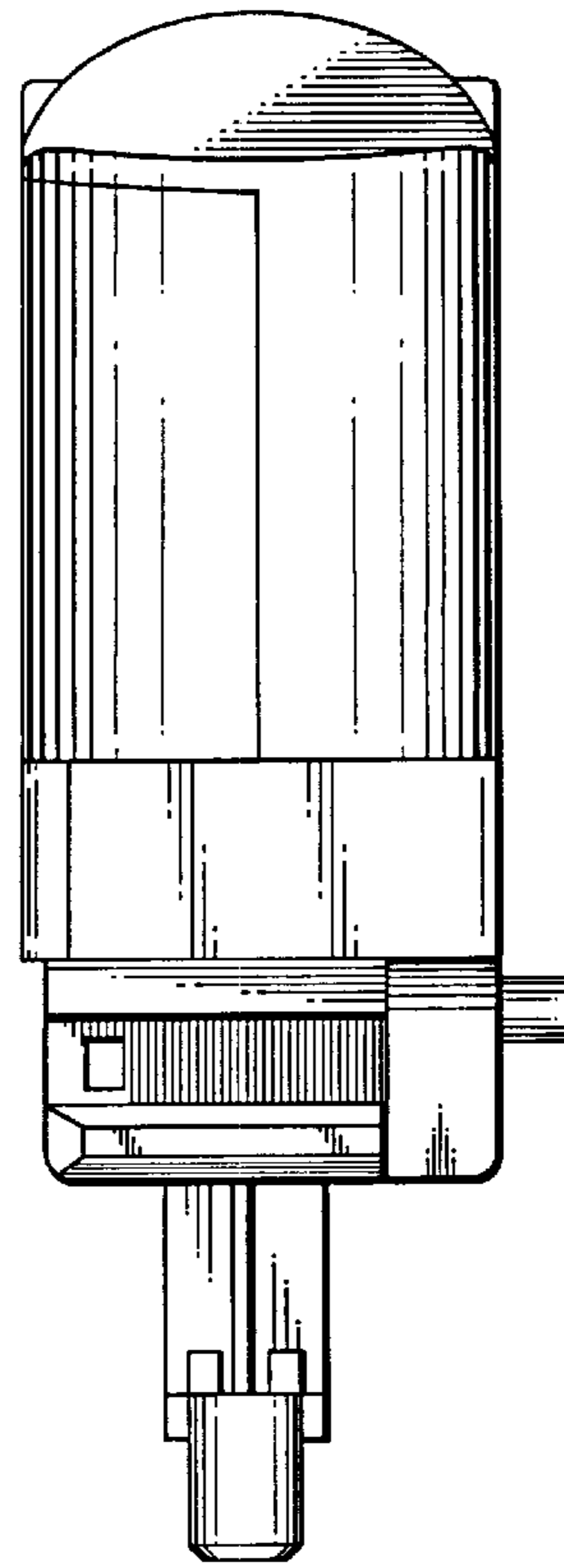
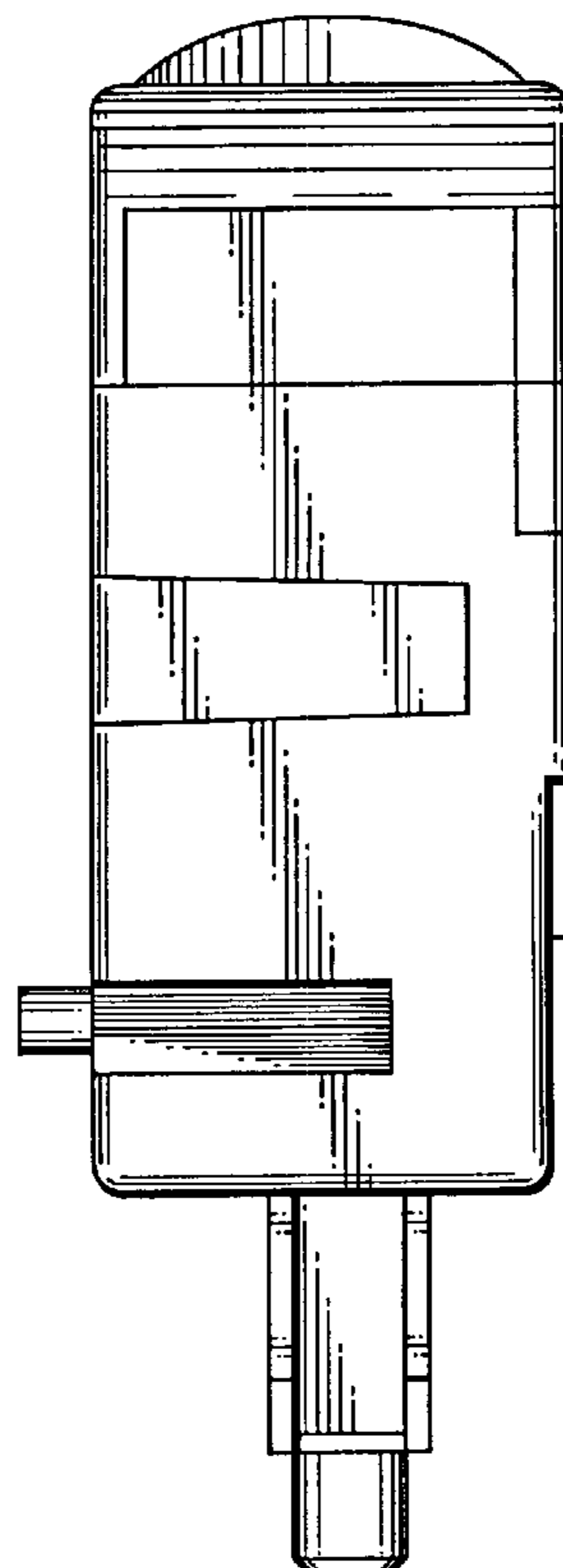


FIG. 11



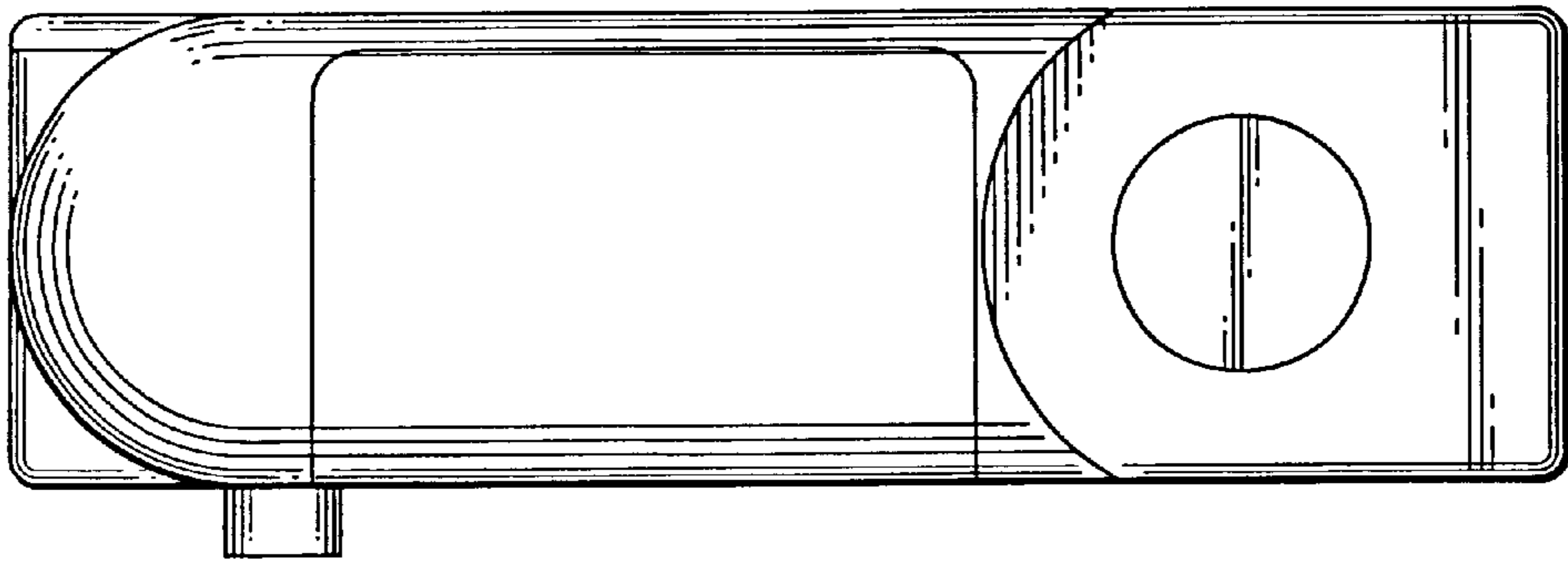


FIG. 12

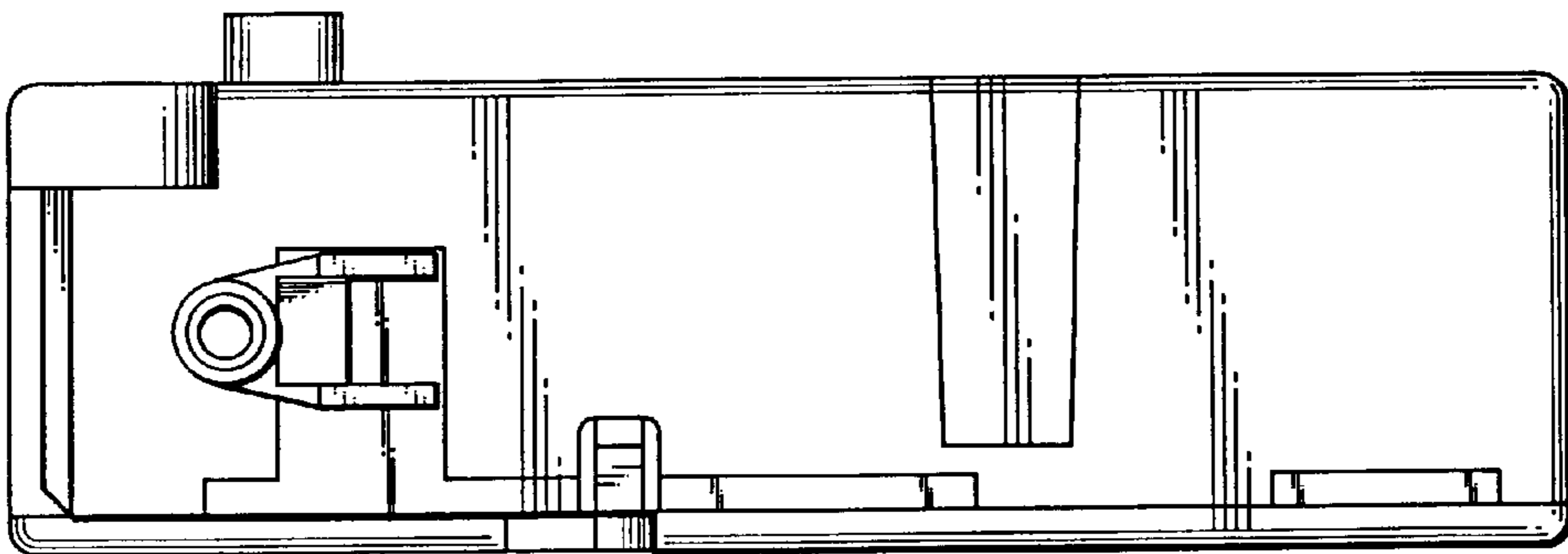


FIG. 13

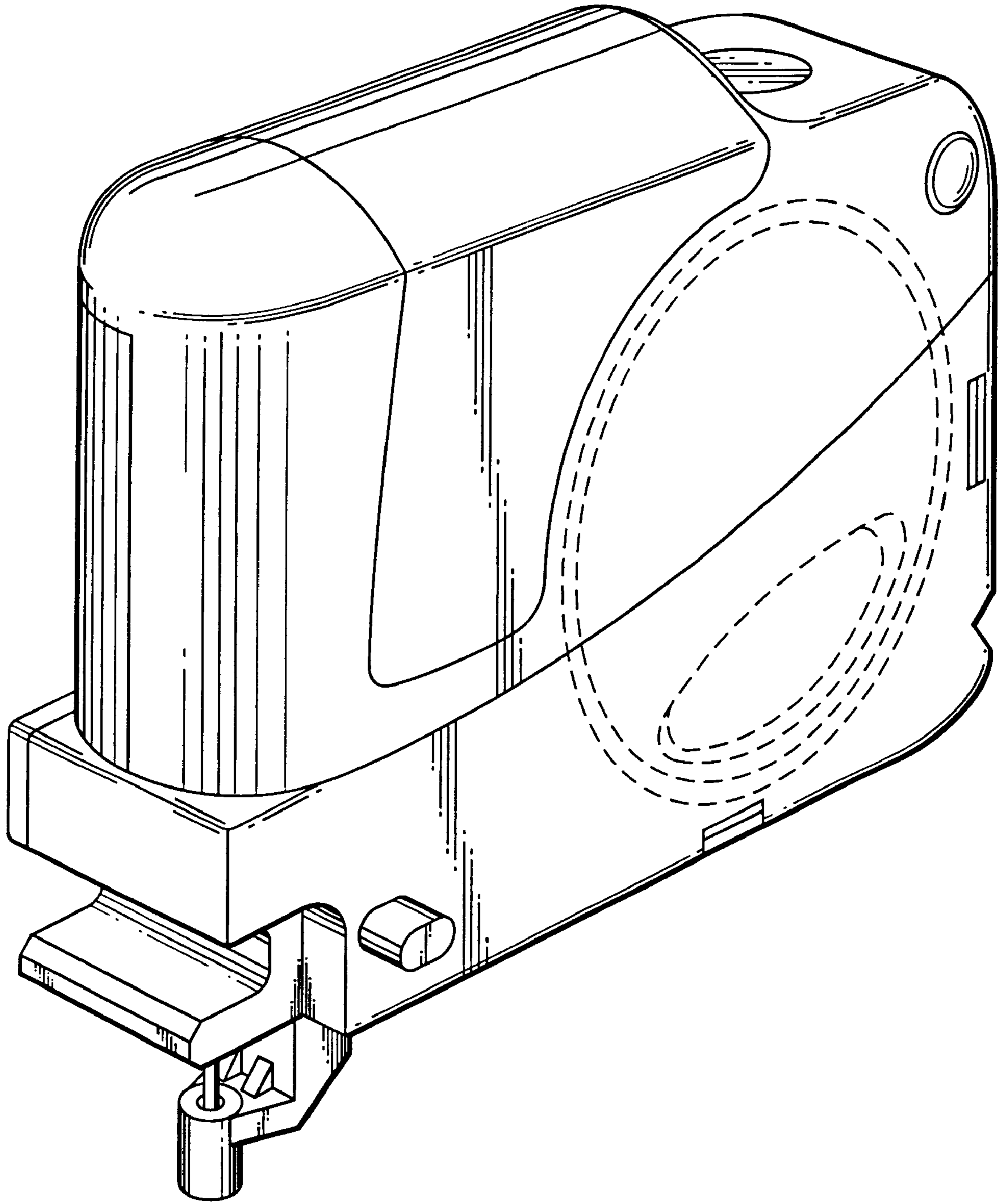


FIG. 14

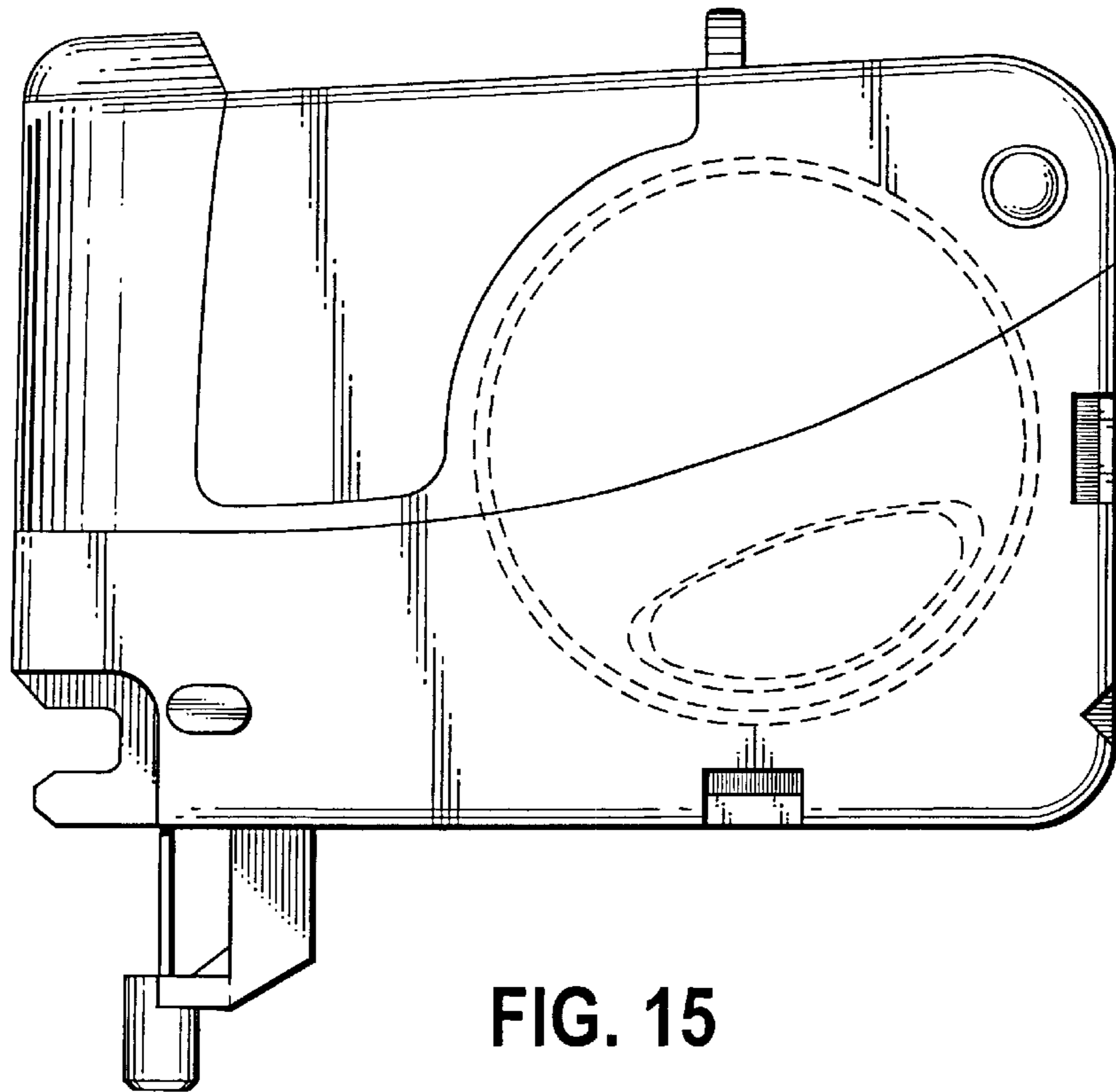


FIG. 15

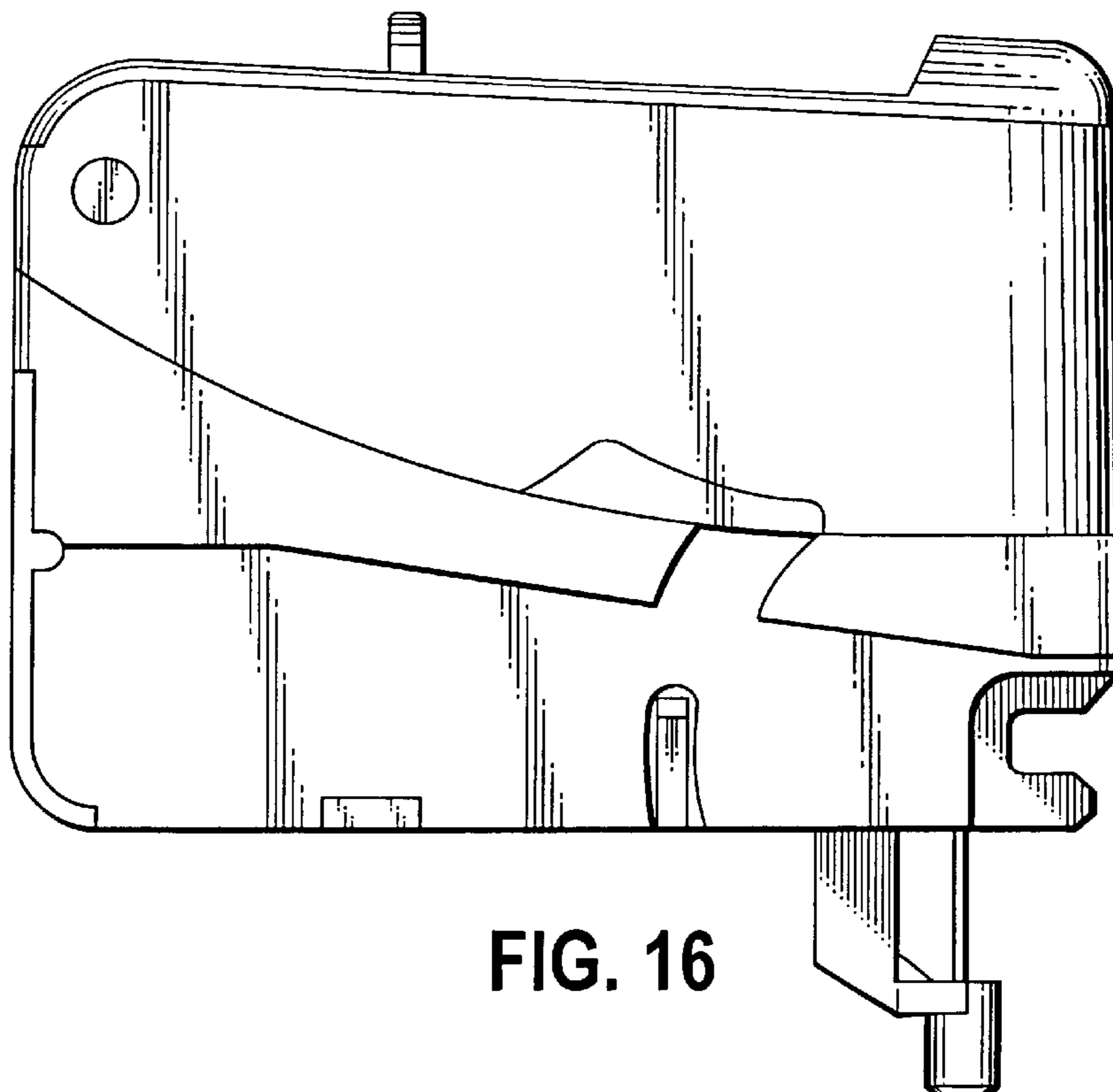


FIG. 16

FIG. 17

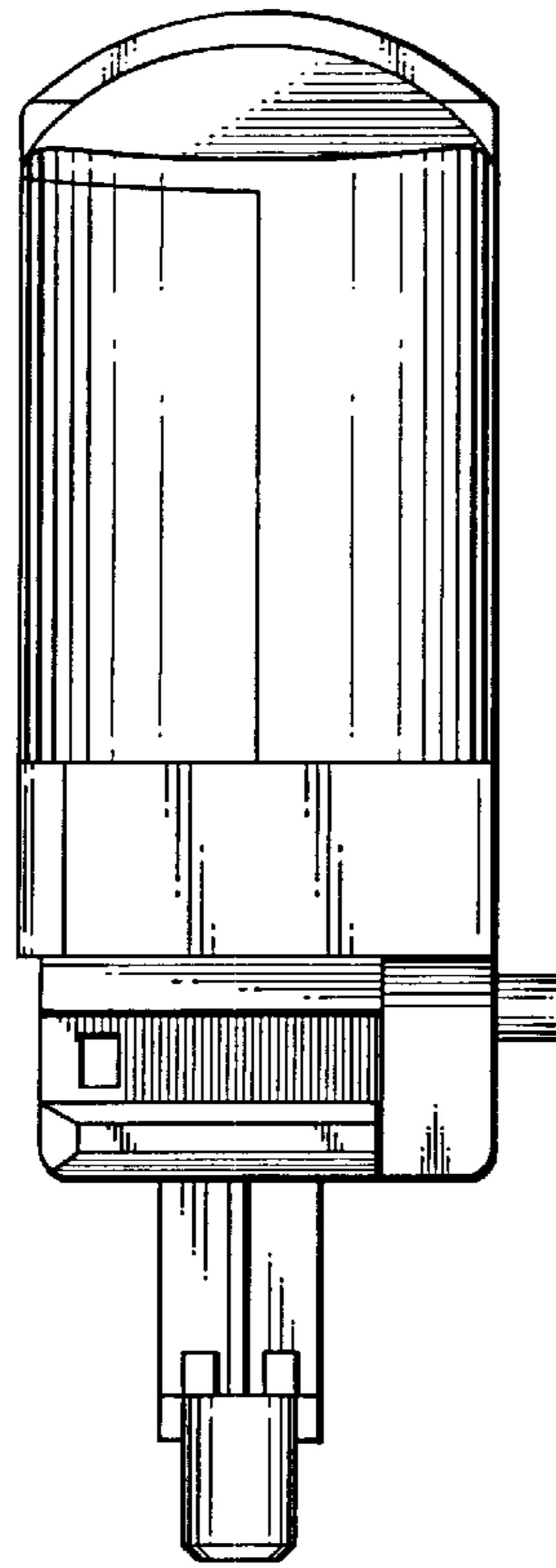
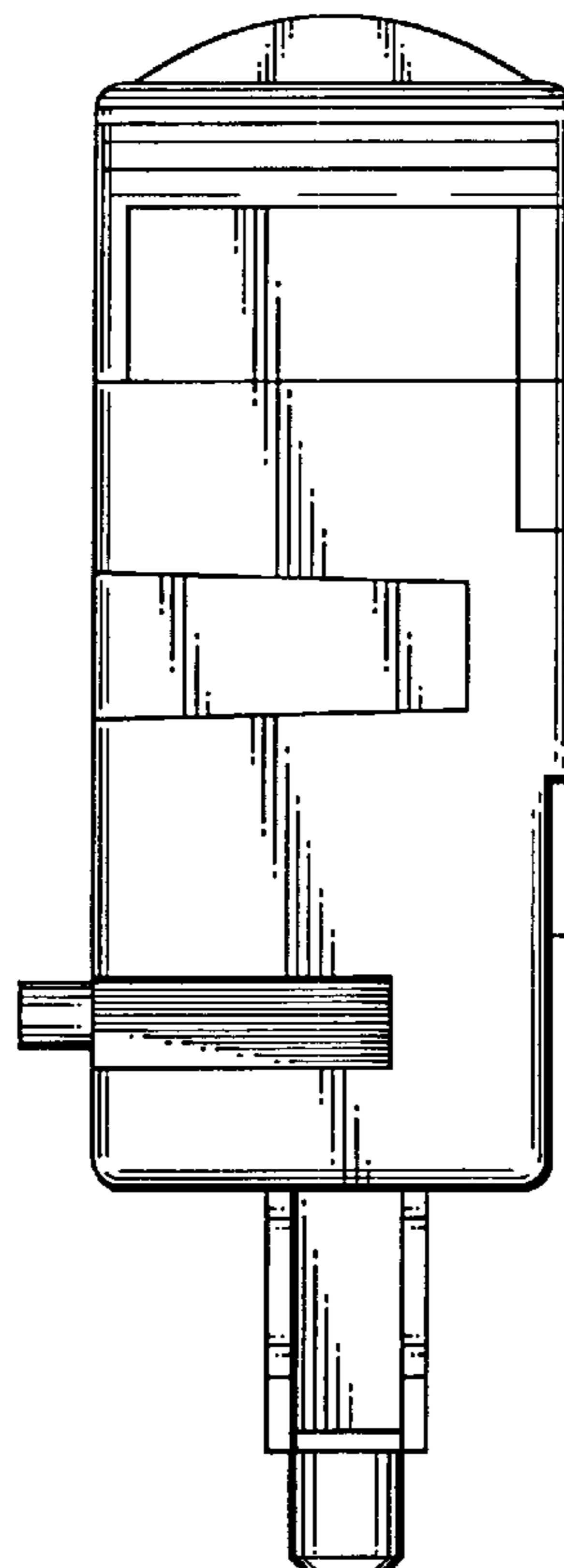


FIG. 18



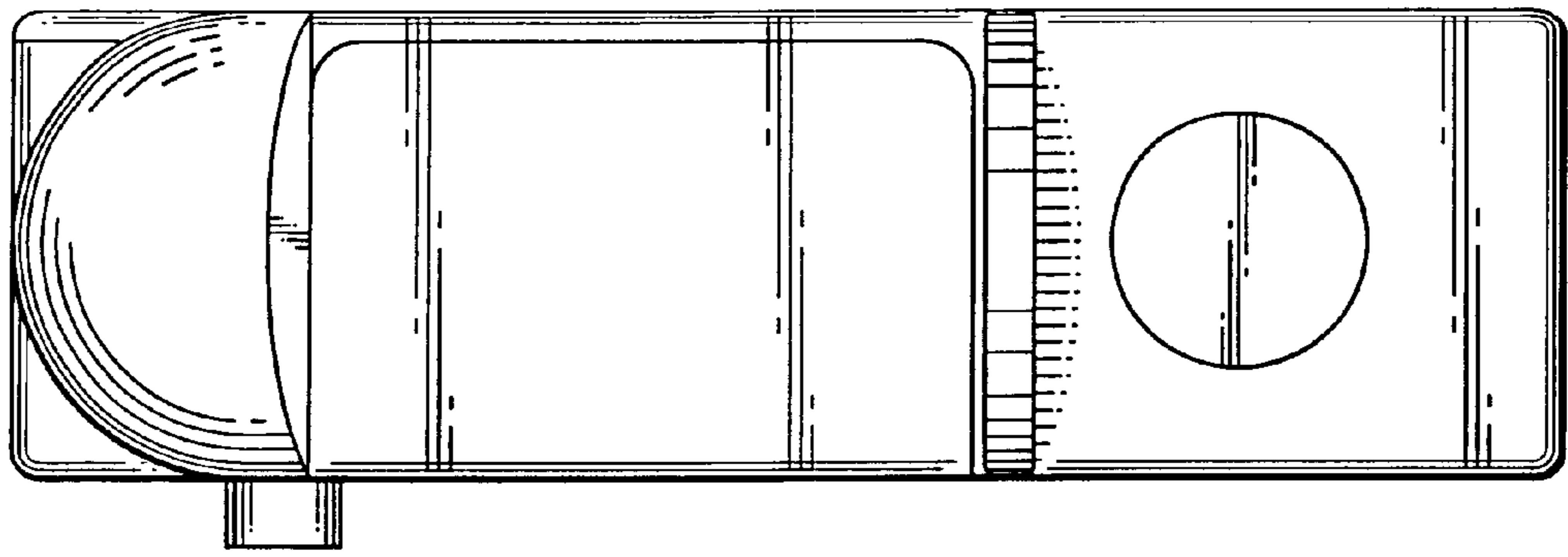


FIG. 19

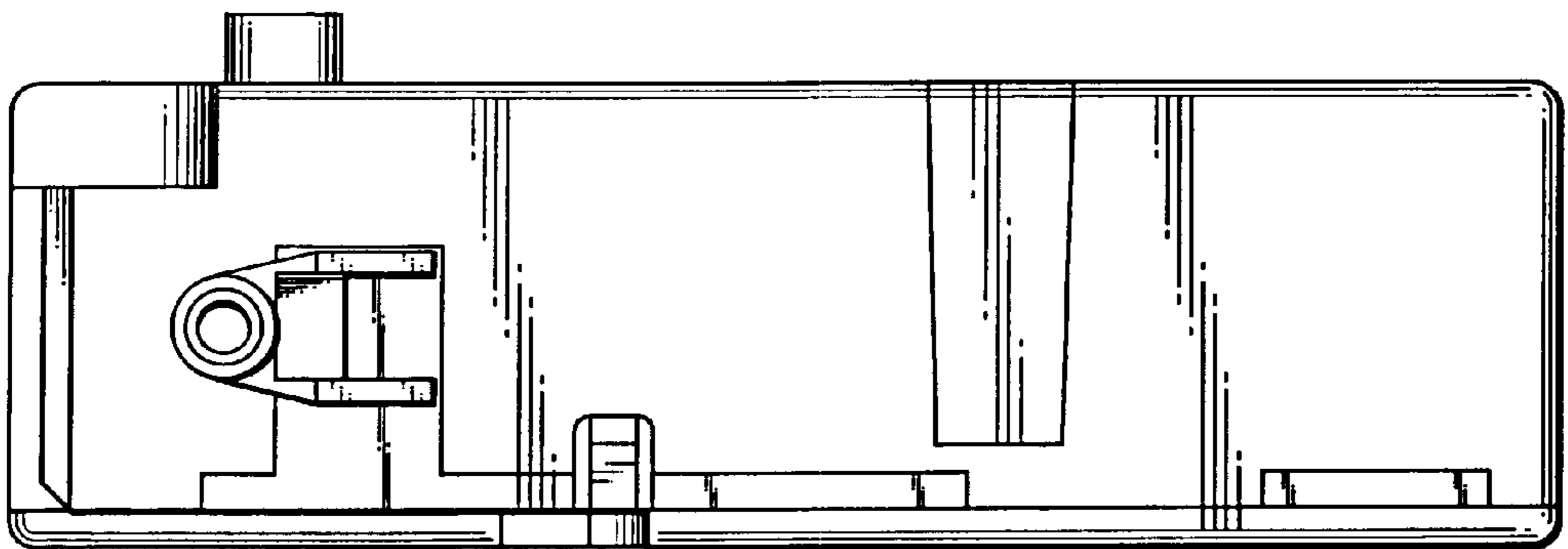


FIG. 20

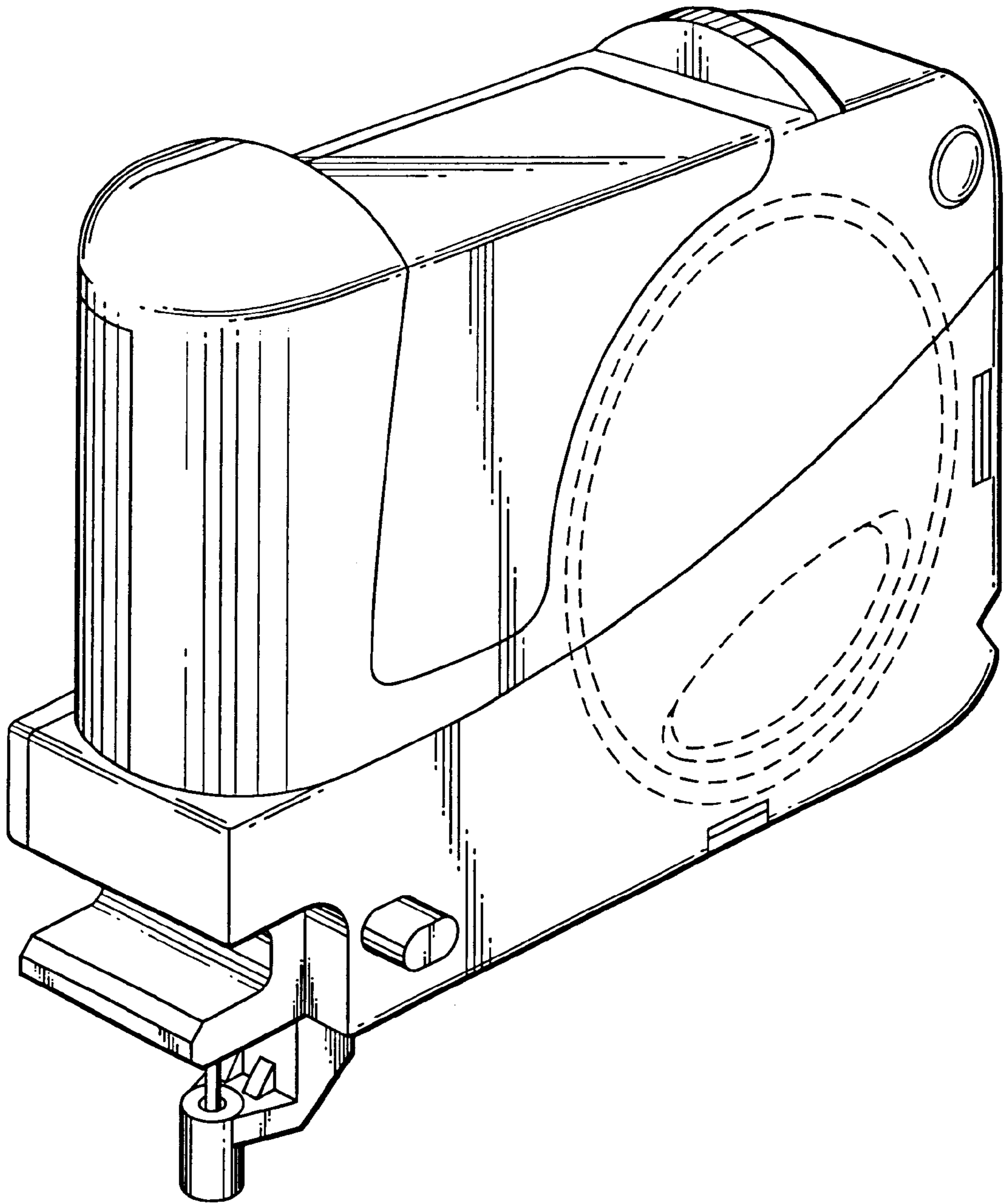


FIG. 21

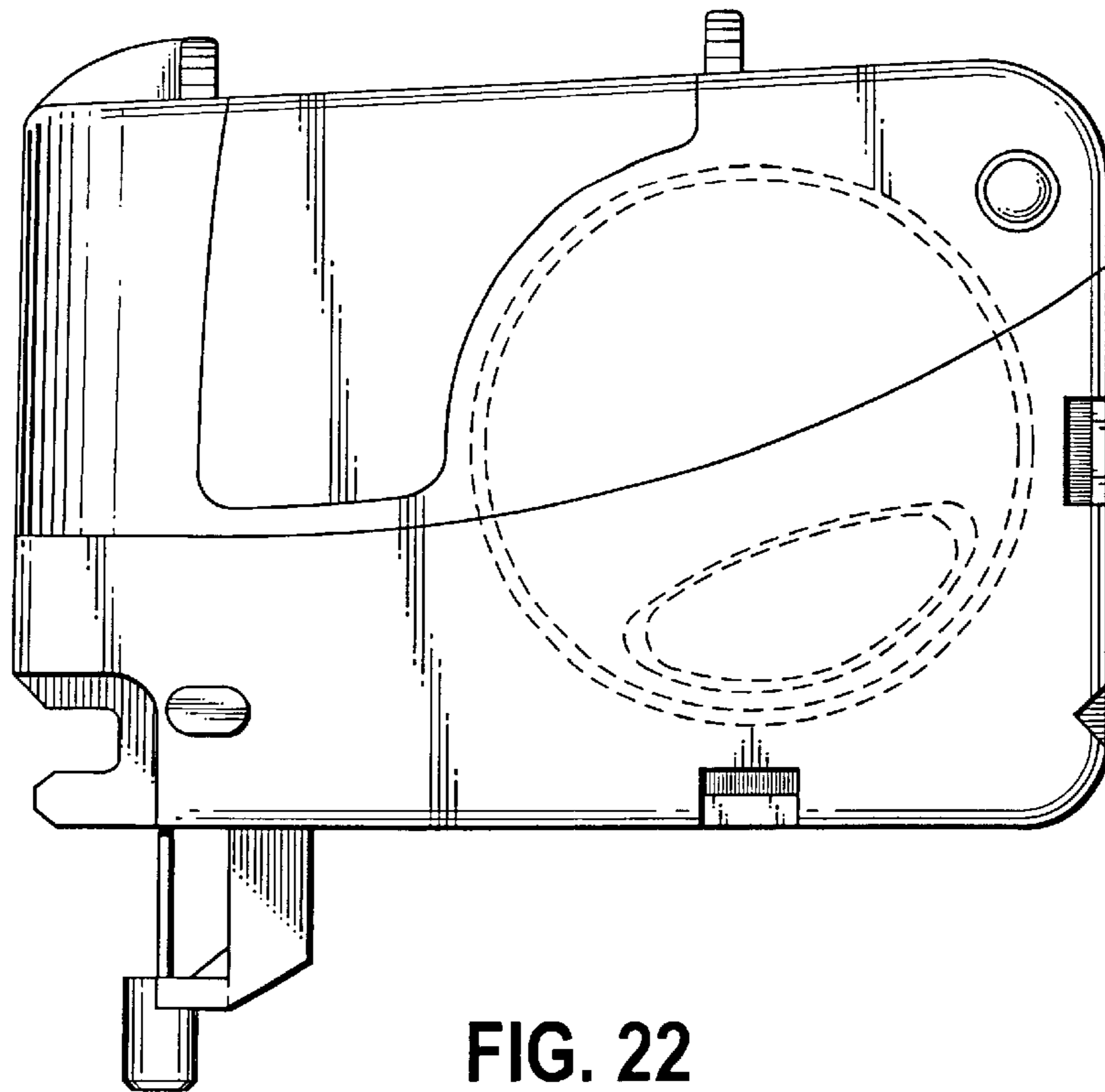


FIG. 22

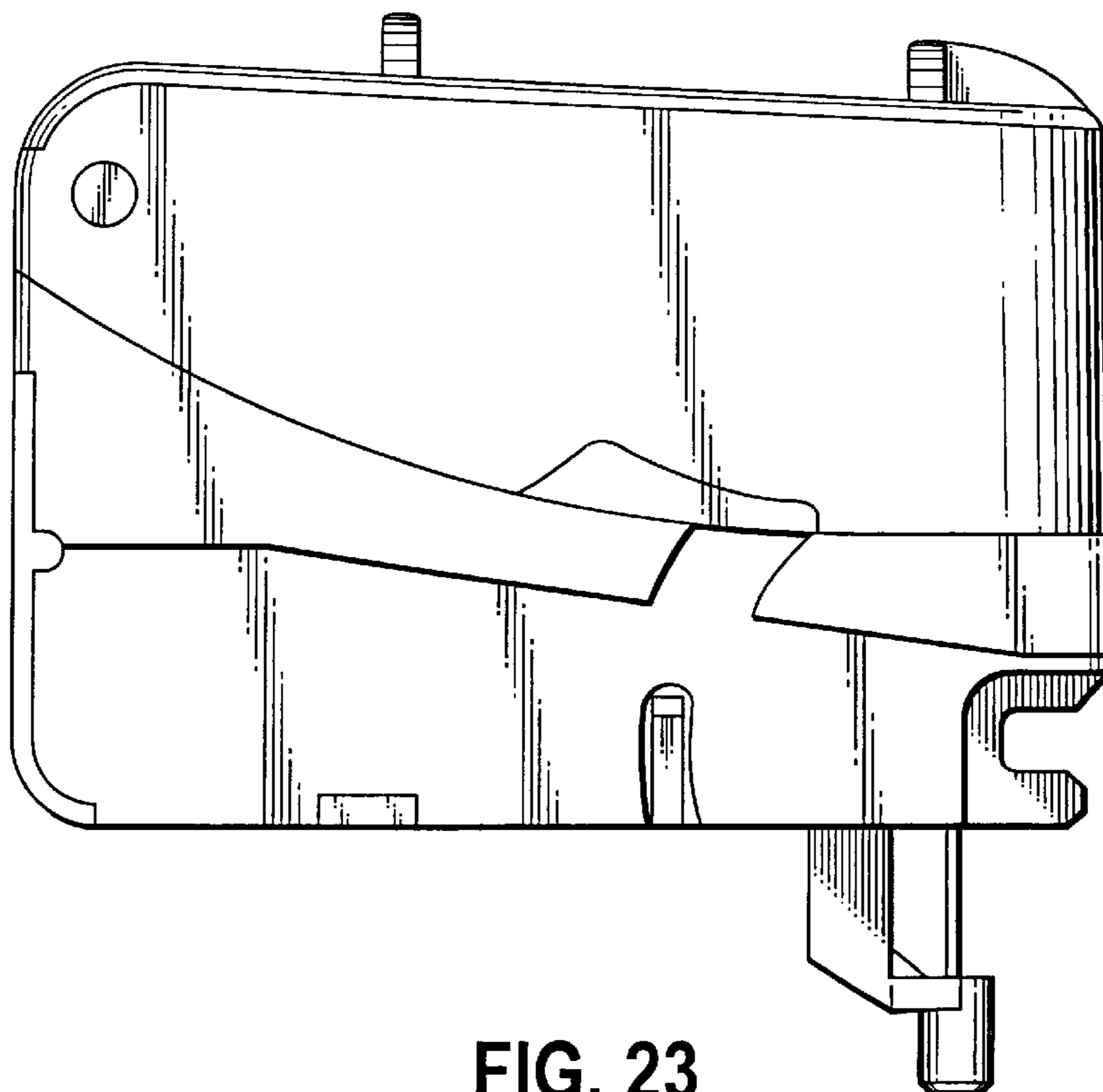


FIG. 23

FIG. 24

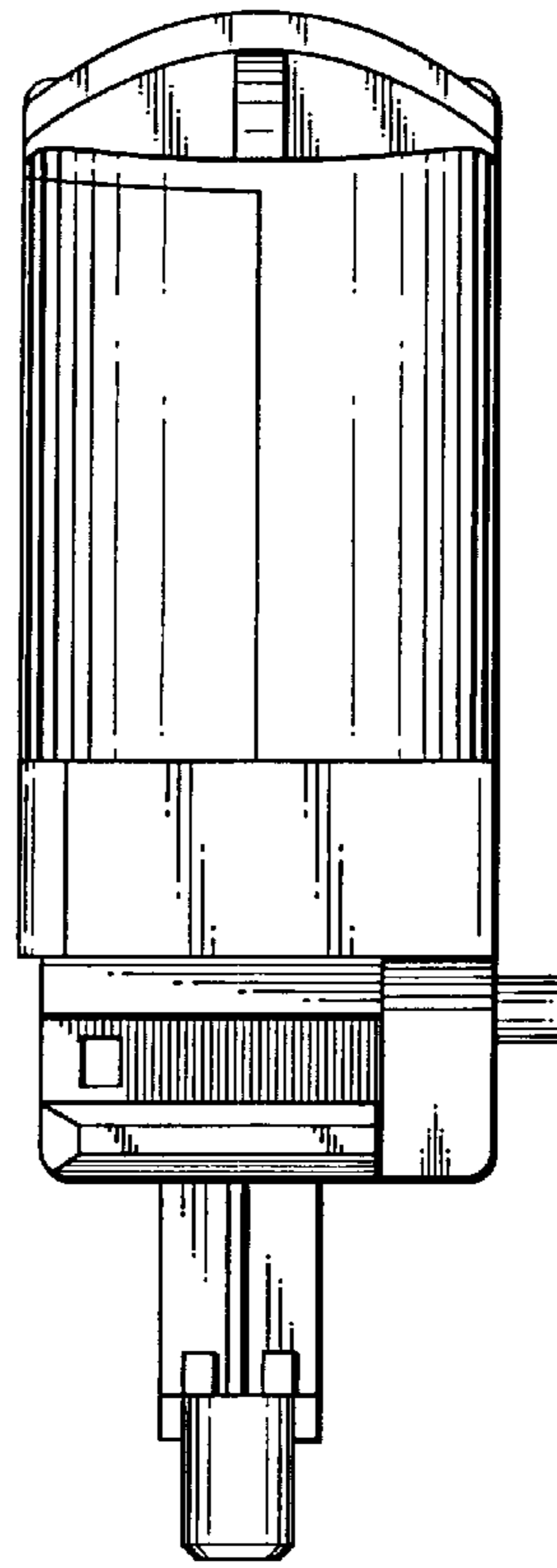
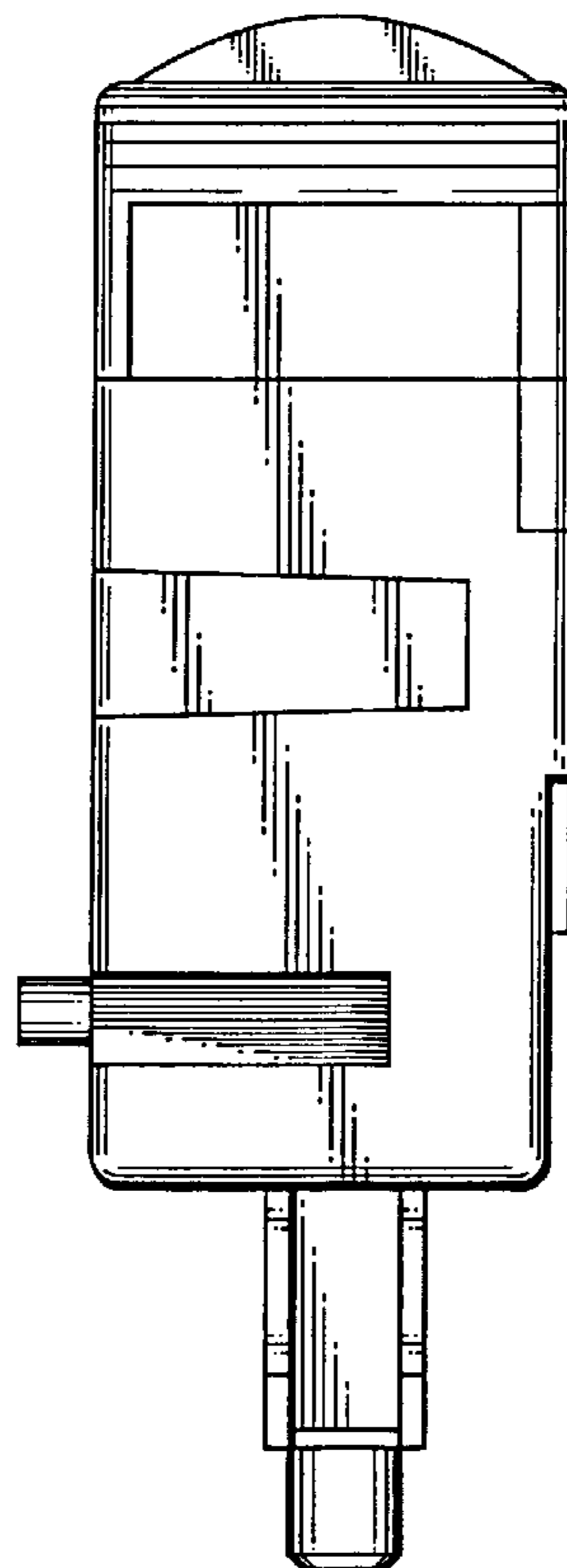


FIG. 25



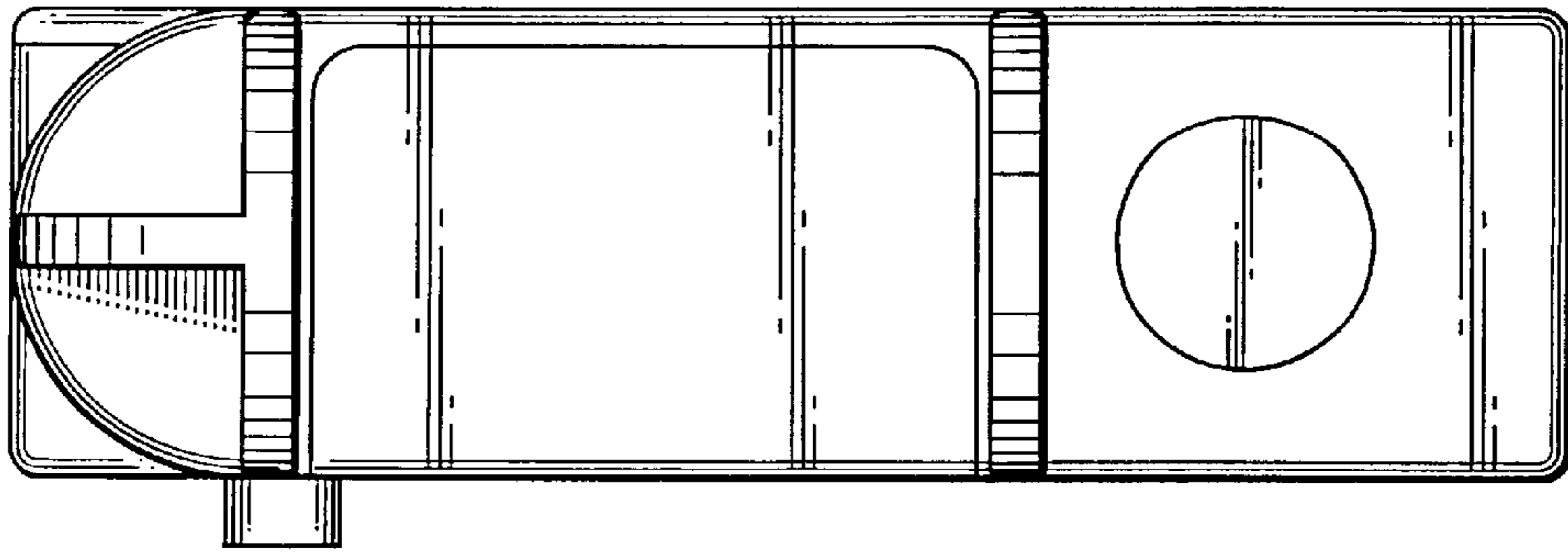


FIG. 26

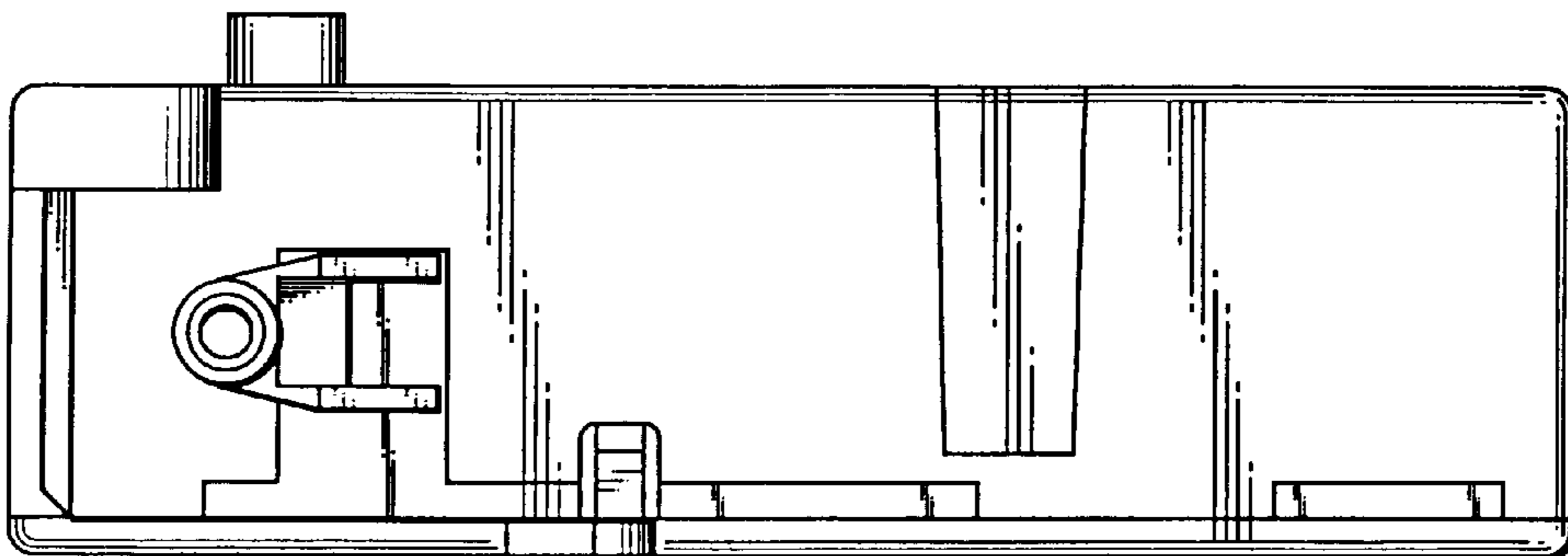


FIG. 27

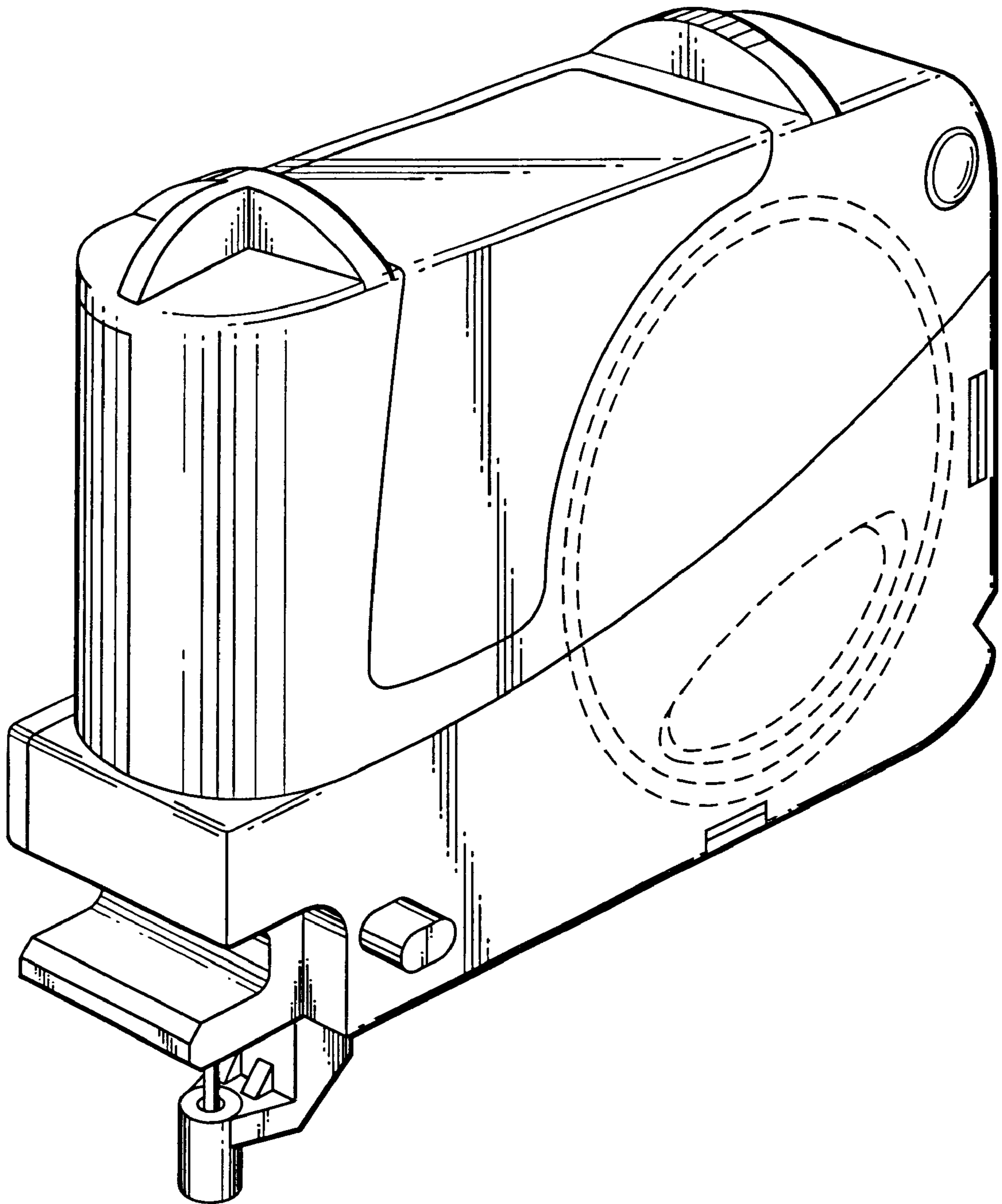


FIG. 28

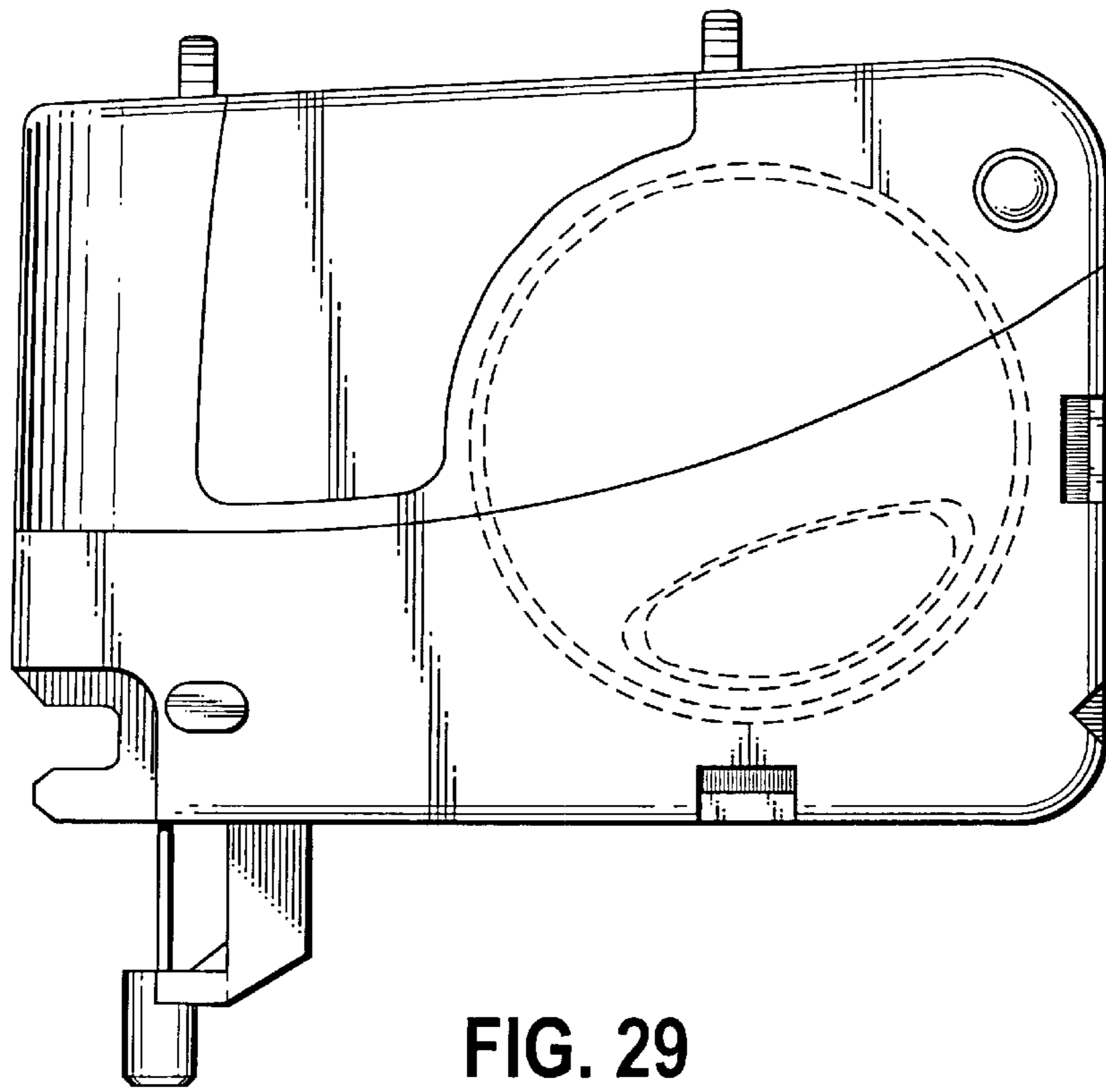


FIG. 29

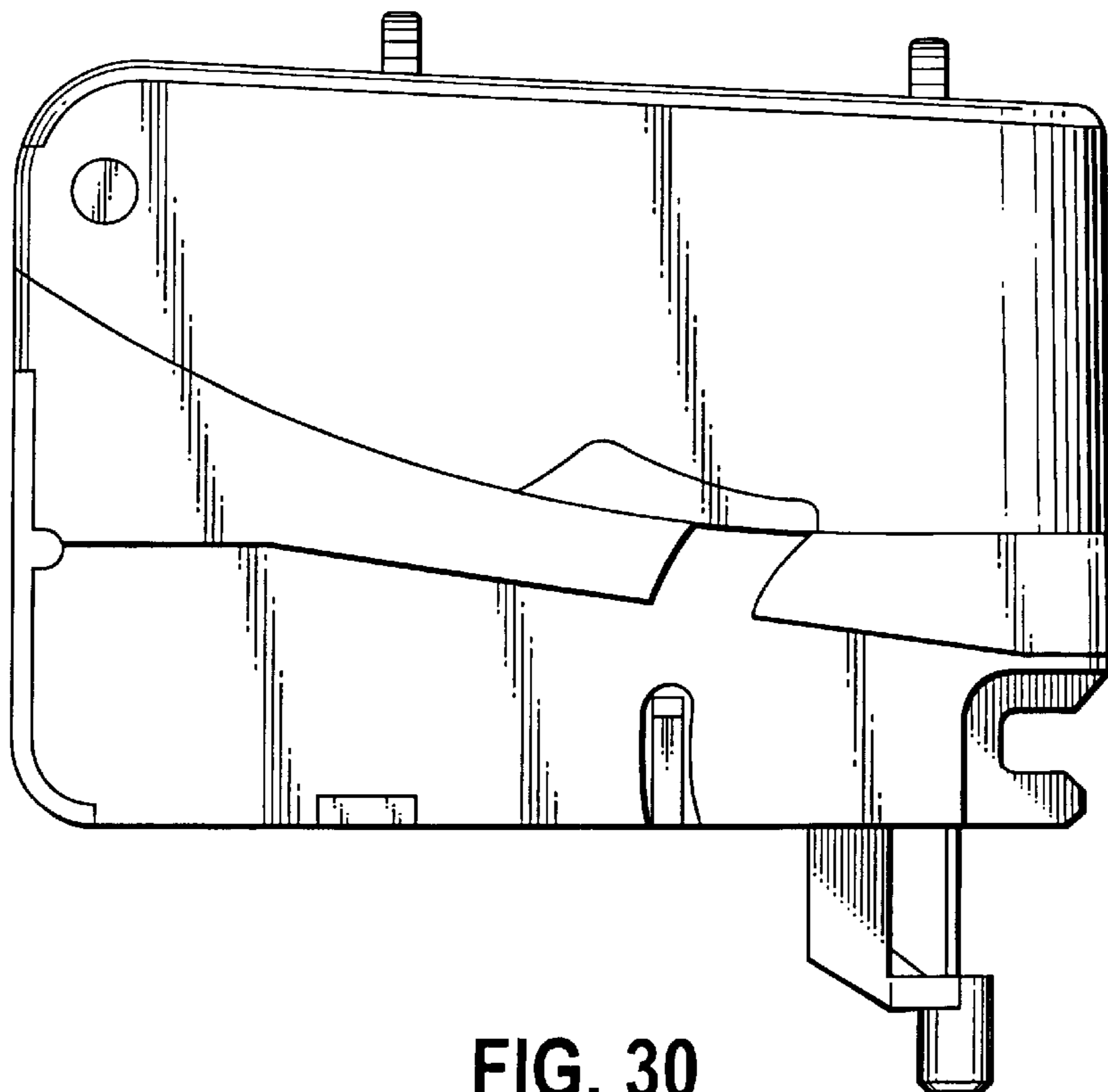


FIG. 30

FIG. 31

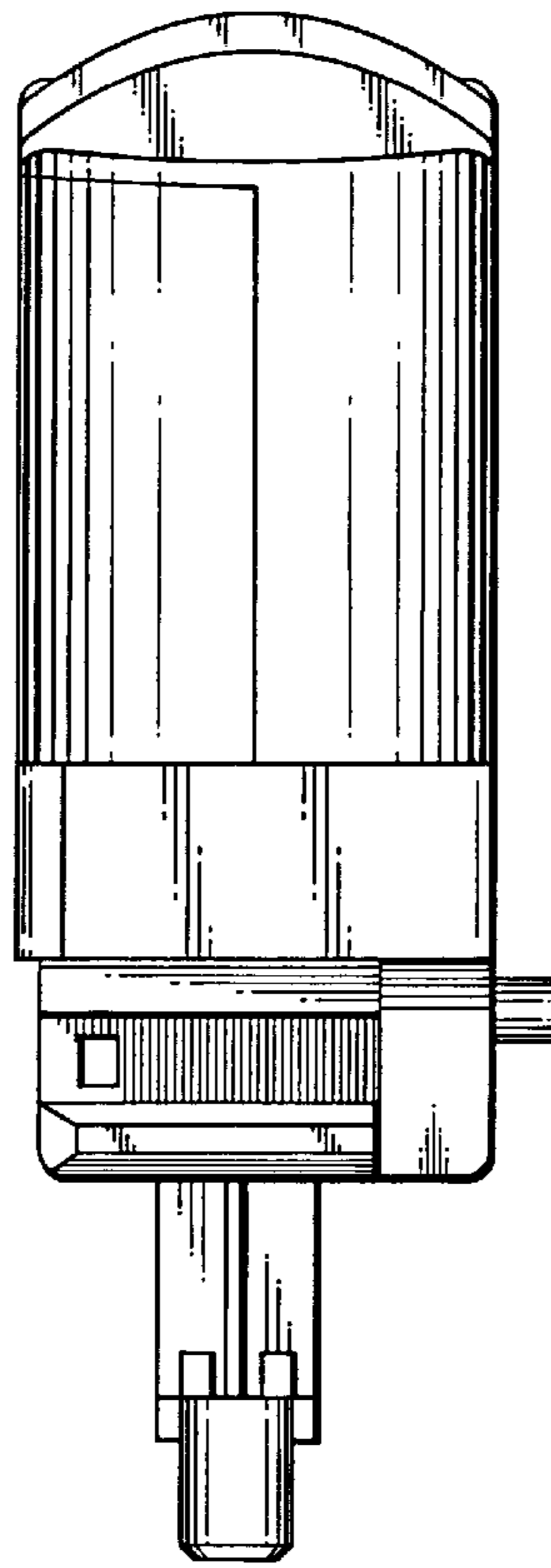
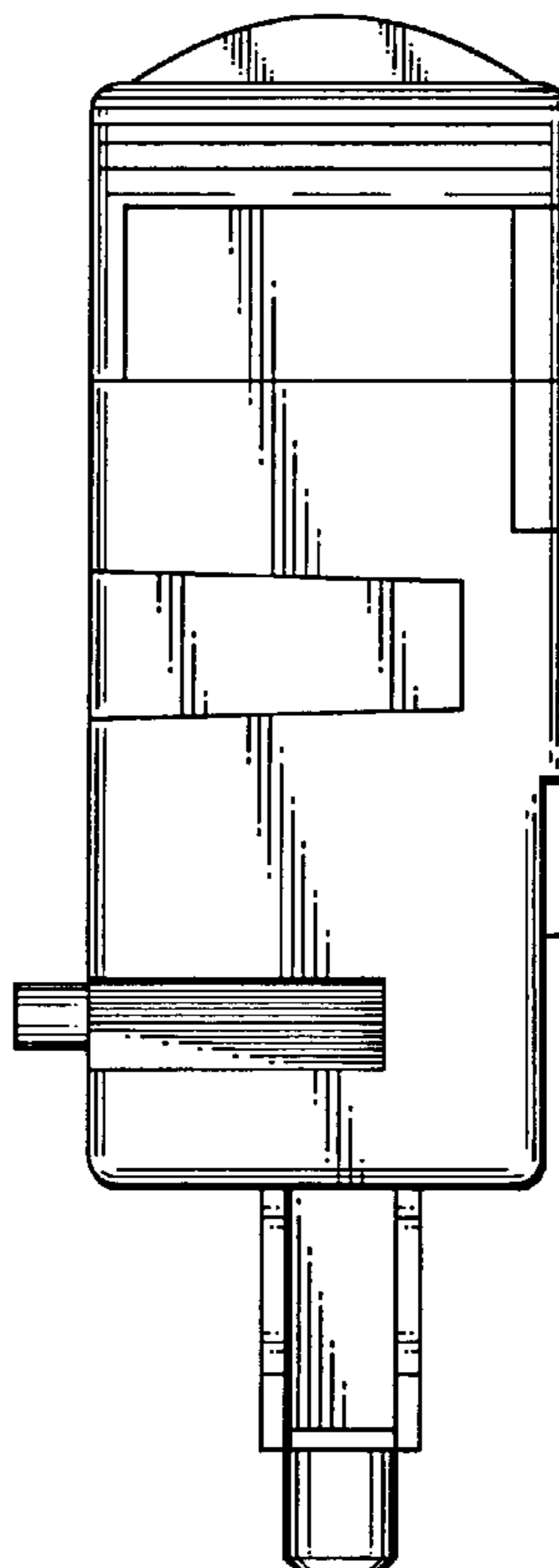


FIG. 32



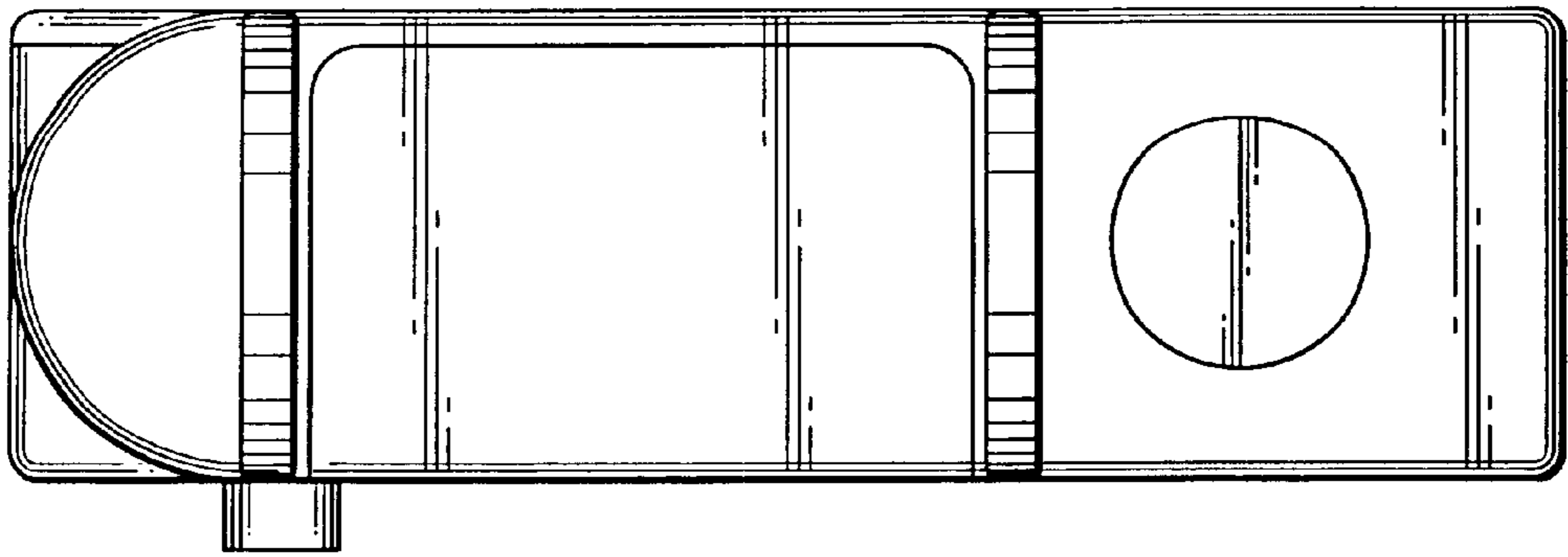


FIG. 33

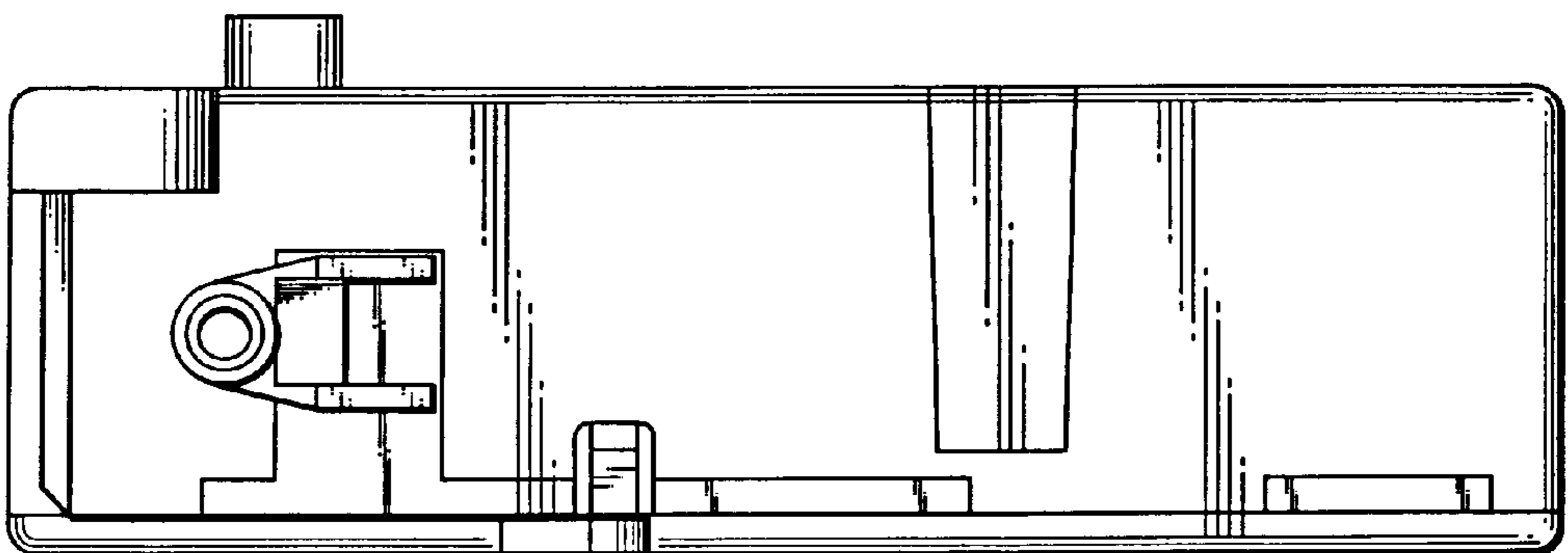


FIG. 34

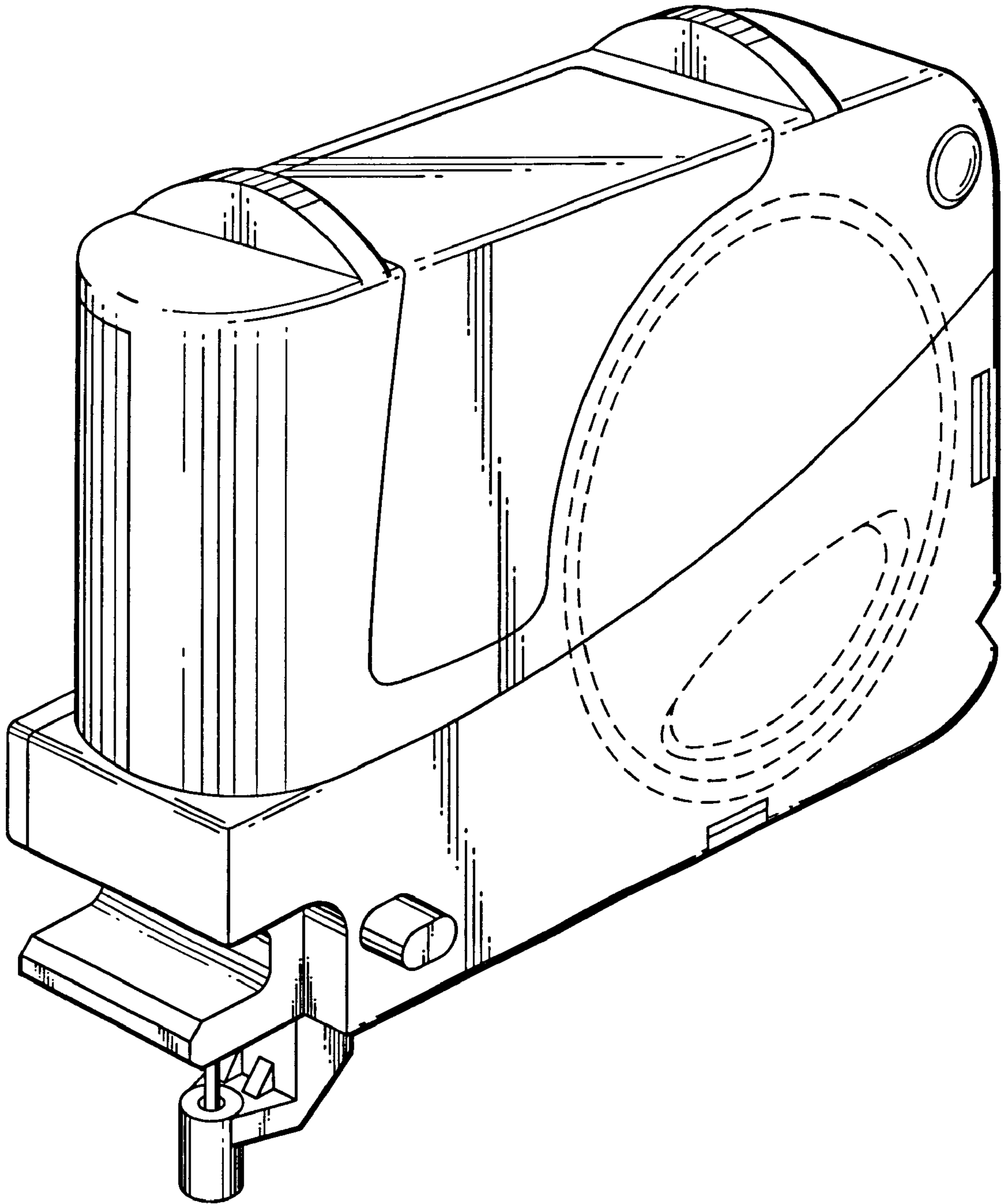


FIG. 35