



US00D477332S

(12) **United States Design Patent**  
**Bennett**

(10) **Patent No.:** **US D477,332 S**

(45) **Date of Patent:** **\*\* Jul. 15, 2003**

(54) **EARTH DRILL**

(75) Inventor: **Norman L. Bennett**, Exton, PA (US)

(73) Assignee: **Schramm, Inc.**, West Chester, PA (US)

(\*\*) Term: **14 Years**

(21) Appl. No.: **29/168,388**

(22) Filed: **Sep. 30, 2002**

(51) **LOC (7) Cl.** ..... **15-03**

(52) **U.S. Cl.** ..... **D15/21**

(58) **Field of Search** ..... D15/21, 28, 85;  
173/18.9, 9.5, 9.52, 147, 52, 57; 73/152.94,  
152.46; 175/85; 180/9.1-9.44, 9.54, 9.62,  
41, 6.48, 9.6; 414/22, 735

(56) **References Cited**

**U.S. PATENT DOCUMENTS**

4,371,041	A	*	2/1983	Becker et al.	.....	173/28
4,449,592	A	*	5/1984	Mayer	.....	175/52
4,718,805	A	*	1/1988	Becker	.....	414/22.54
5,251,709	A	*	10/1993	Richardson	.....	175/220
5,941,324	A	*	8/1999	Bennett	.....	175/85
6,298,927	B1	*	10/2001	Back	.....	175/52
D453,023	S	*	1/2002	Kaneko et al.	.....	D15/21

**OTHER PUBLICATIONS**

Photograph (undated) of ABI drill rig.  
Photograph (undated) of Soilmec G102 drill rig.  
Photograph (undated) of Soilmec G200 drill rig.

\* cited by examiner

*Primary Examiner*—Mitchell Siegel

(74) *Attorney, Agent, or Firm*—Howson and Howson

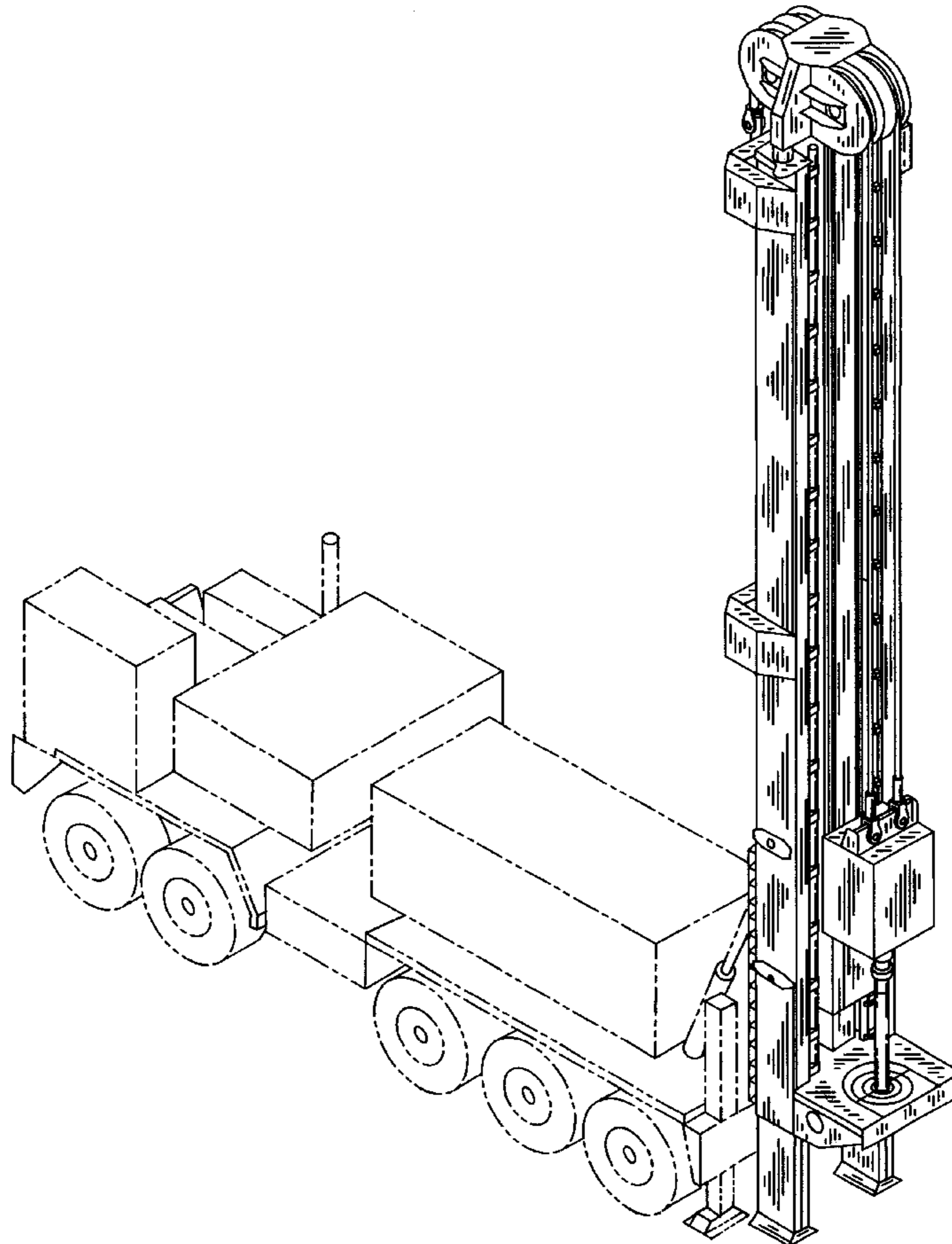
(57) **CLAIM**

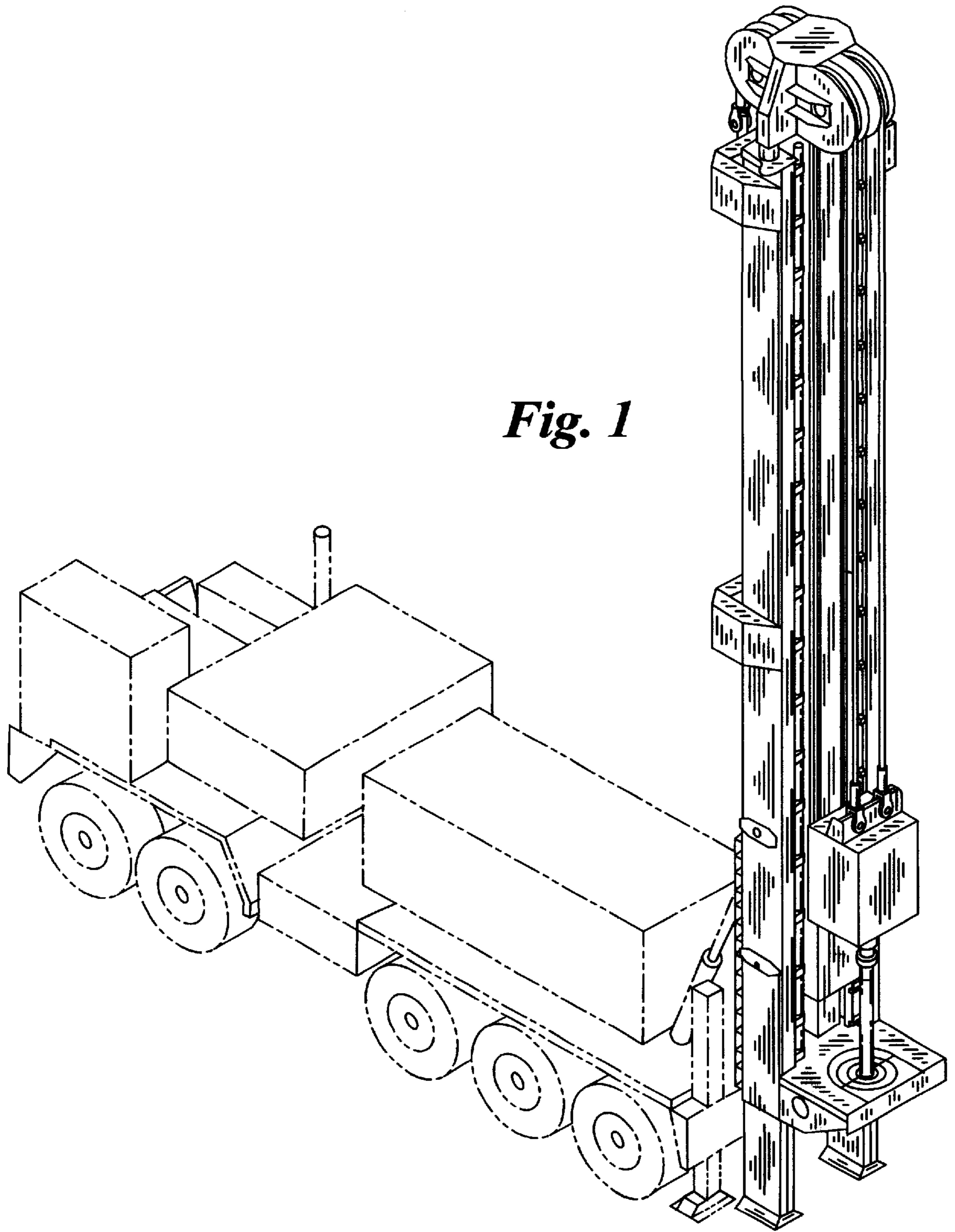
The ornamental design for an earth drill, as shown and described.

**DESCRIPTION**

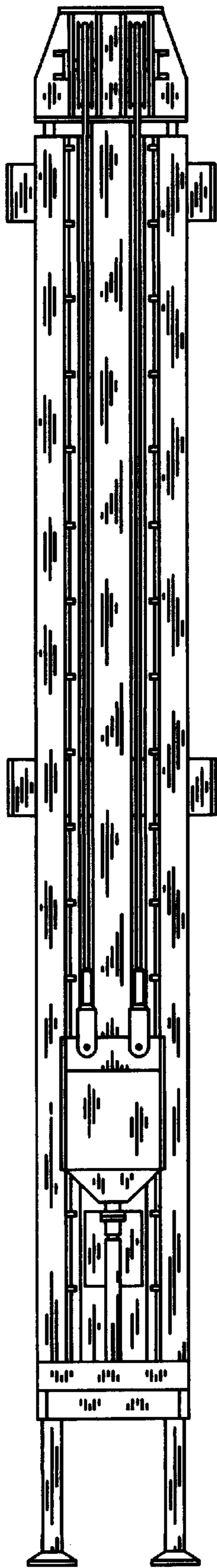
FIG. 1 is a perspective view of an earth drill showing my new design;  
FIG. 2 is left side elevational view thereof;  
FIG. 3 is a right side elevational view thereof;  
FIG. 4 is a top plan view thereof;  
FIG. 5 is a bottom plan view thereof;  
FIG. 6 is a front elevational view thereof; and,  
FIG. 7 is rear elevational view thereof.  
The vehicle depicted in broken lines in FIG. 1 is environmental structure forming no part of the design.

**1 Claim, 4 Drawing Sheets**

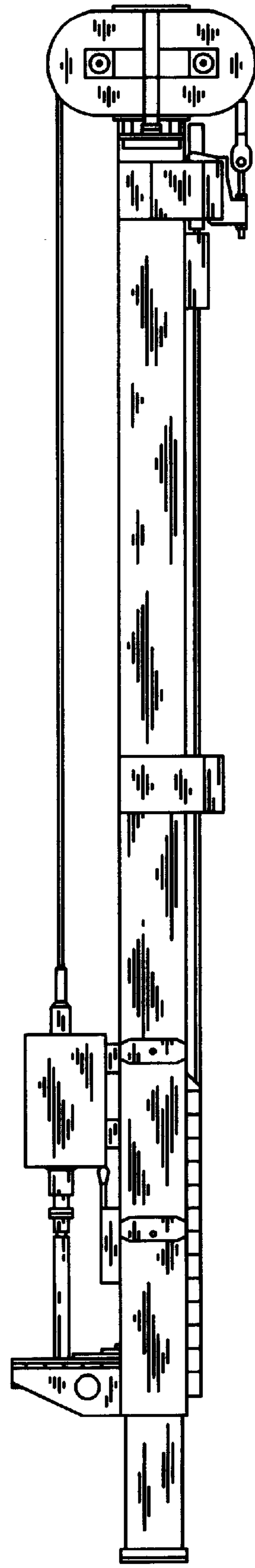




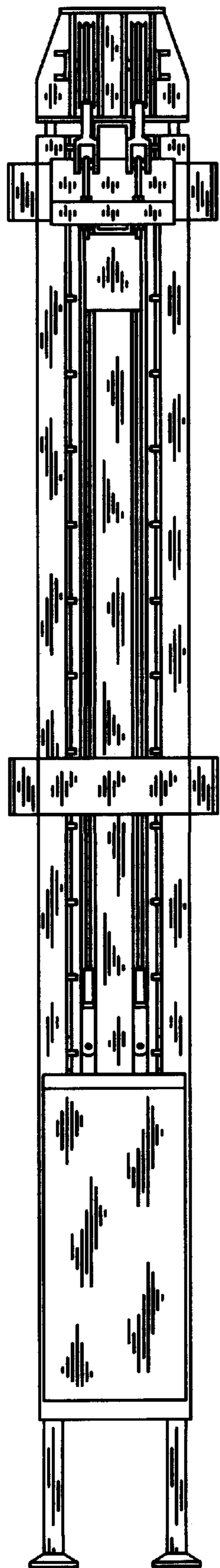
*Fig. 1*



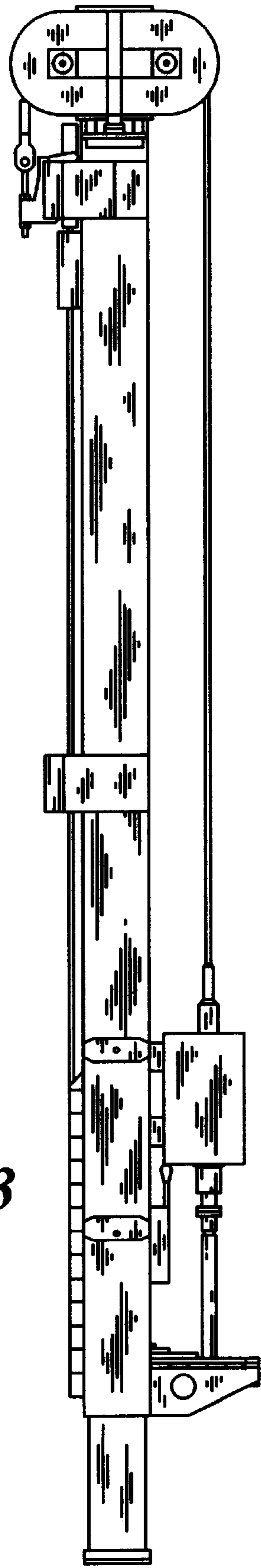
*Fig. 7*



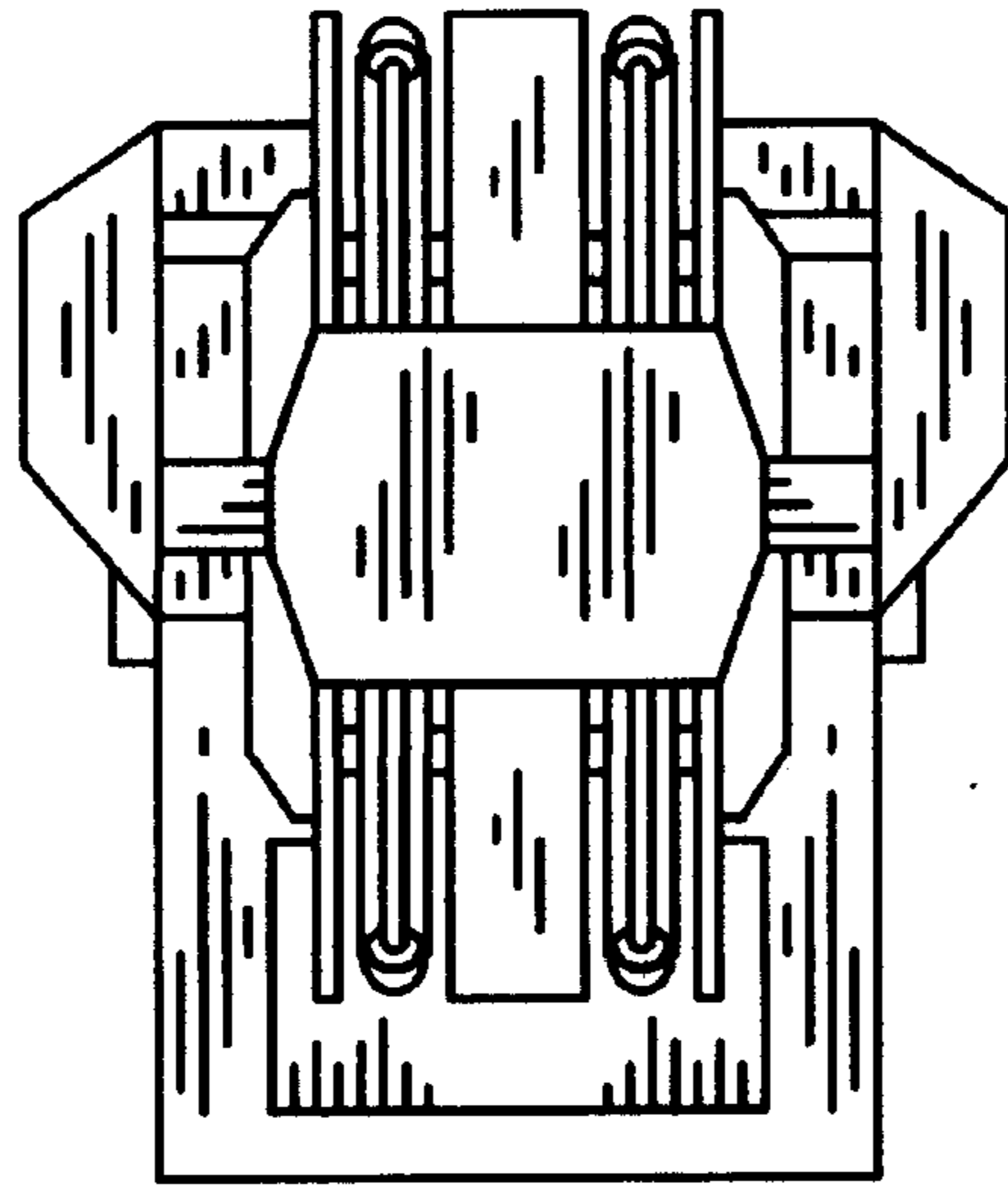
*Fig. 2*



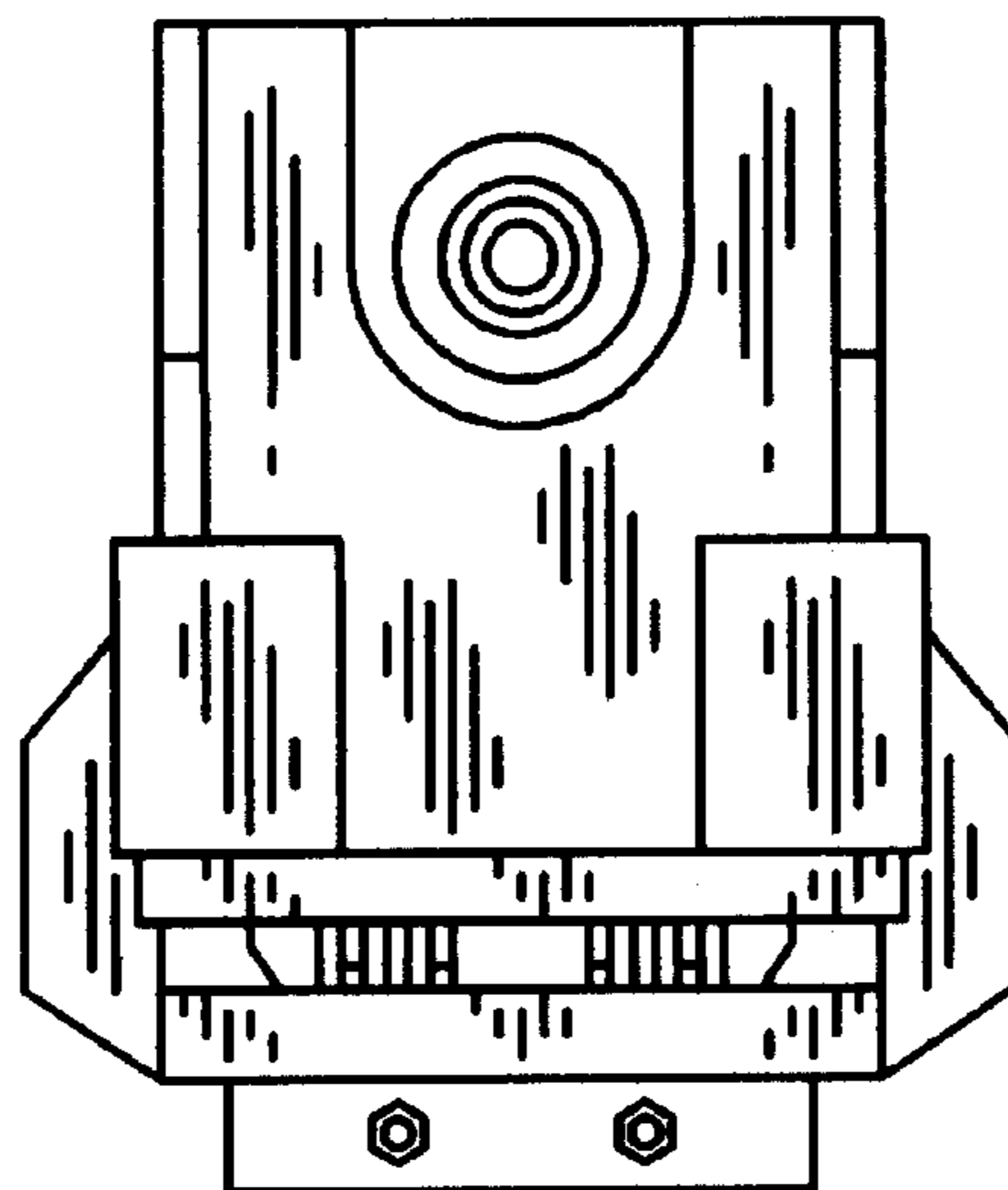
*Fig. 6*



*Fig. 3*



*Fig. 4*



*Fig. 5*