



US00D477330S

(12) **United States Design Patent**
Klein et al.

(10) **Patent No.:** **US D477,330 S**

(45) **Date of Patent:** **** Jul. 15, 2003**

(54) **FLEXIBLE FLAIL MOWER ATTACHMENT**

FOREIGN PATENT DOCUMENTS

(75) Inventors: **John Klein**, Seguin, TX (US); **Bill Steele**, Seguin, TX (US)

GB 2027189 7/1993
GB 2063577 5/1997

(73) Assignee: **Alamo Group Inc.**, Seguin, TX (US)

* cited by examiner

(**) Term: **14 Years**

Primary Examiner—Mitchell Siegel
(74) *Attorney, Agent, or Firm*—Gunn, Lee & Hanor;
Michelle Evans

(21) Appl. No.: **29/159,392**

(22) Filed: **Apr. 19, 2002**

(57) **CLAIM**

(51) **LOC (7) Cl.** **15-03**

The ornamental design for a flexible flail mower attachment,
as shown and described.

(52) **U.S. Cl.** **D15/13**

(58) **Field of Search** D15/10, 13, 23-28;
239/142, 175, 655, 656, 662, 675, 167,
159

DESCRIPTION

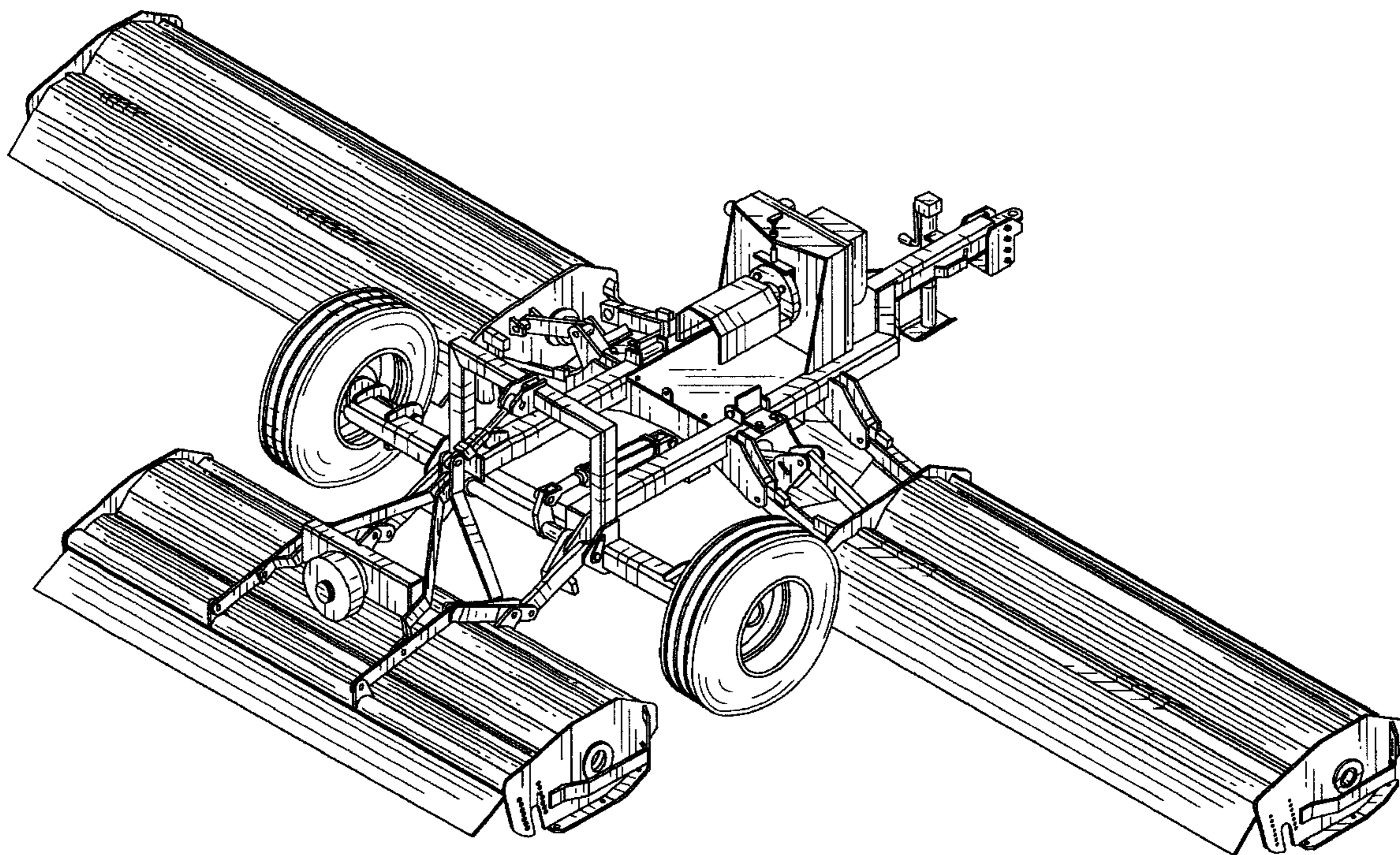
(56) **References Cited**

U.S. PATENT DOCUMENTS

3,447,750	A	*	6/1969	Weston	239/167
5,242,126	A	*	9/1993	Bomze	241/99
5,992,759	A	*	11/1999	Patterson	239/167
D449,315	S	*	10/2001	Degelman	D15/23
D460,463	S	*	7/2002	Kubo et al.	D15/26

FIG. 1 is a top view of the flexible flail mower attachment.
FIG. 2 is a rear view thereof.
FIG. 3 is a front view thereof.
FIG. 4 is a bottom view thereof.
FIG. 5 is a left side view (as seen from the front) thereof.
FIG. 6 is a right side view (as seen from the front) thereof.
FIG. 7 is a perspective view thereof; and,
FIG. 8 is a perspective view thereof with wing cutters raised.

1 Claim, 6 Drawing Sheets



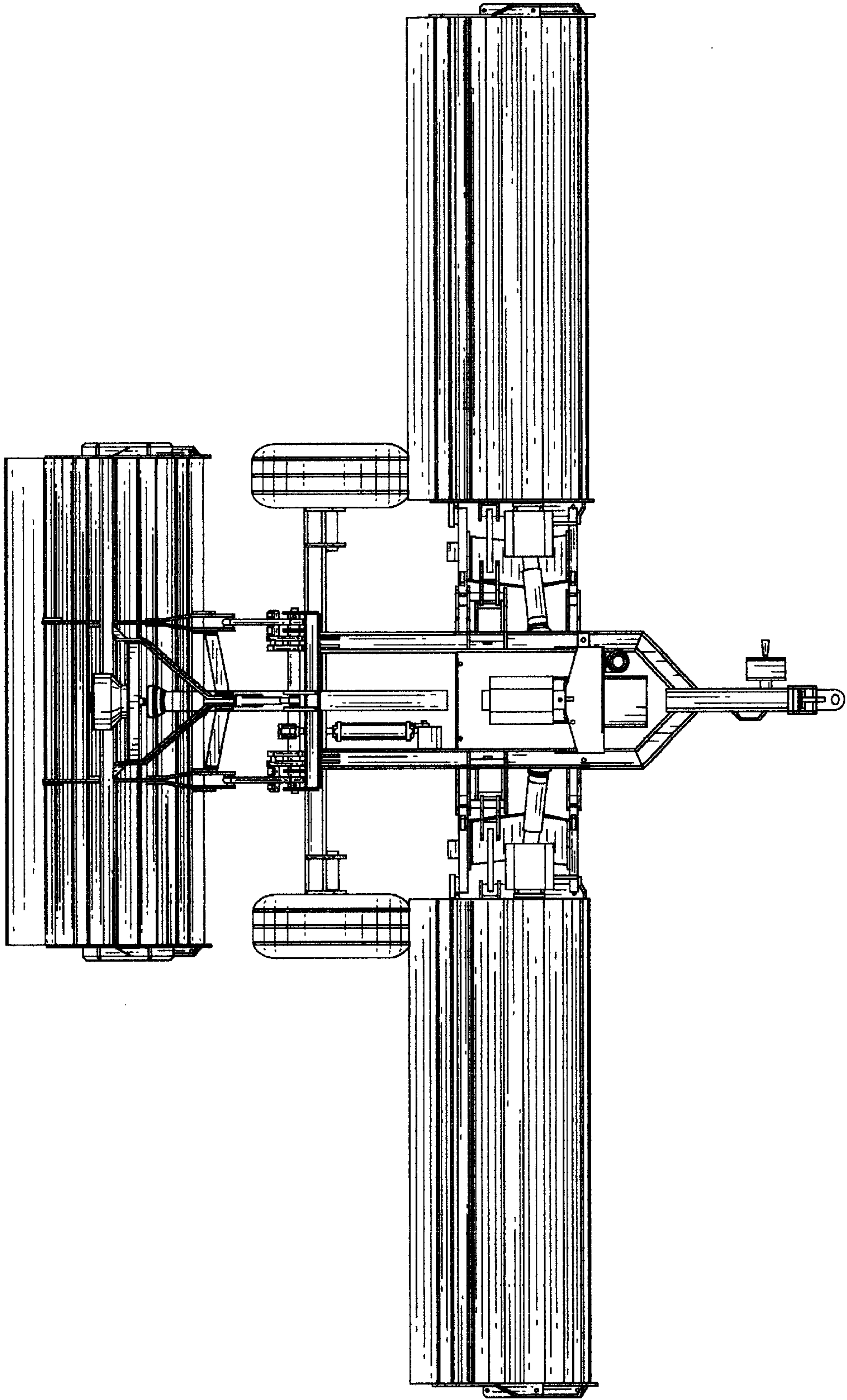


Fig. 1

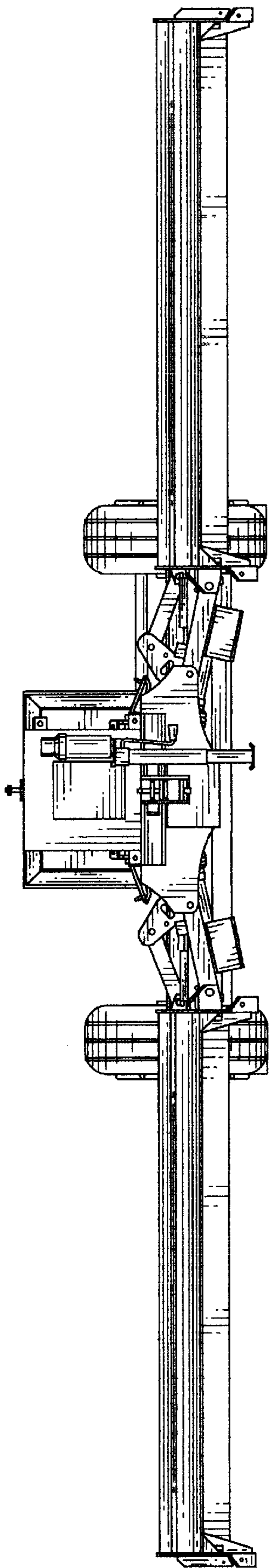


Fig. 2

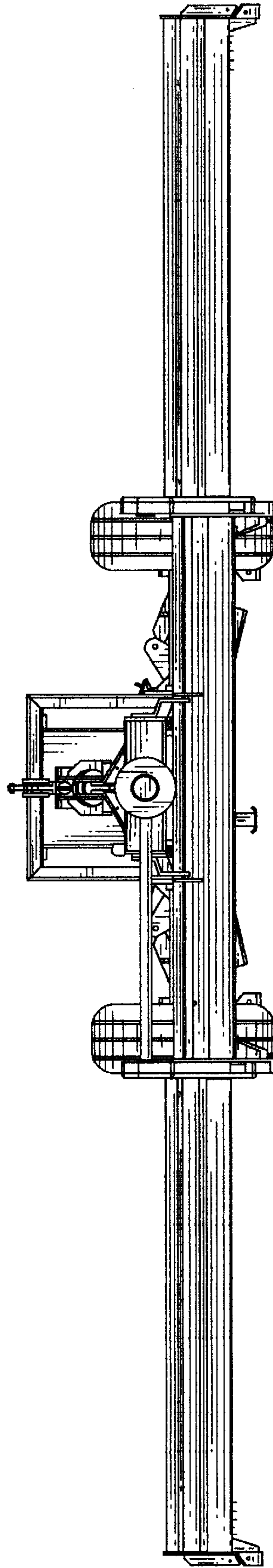


Fig. 3

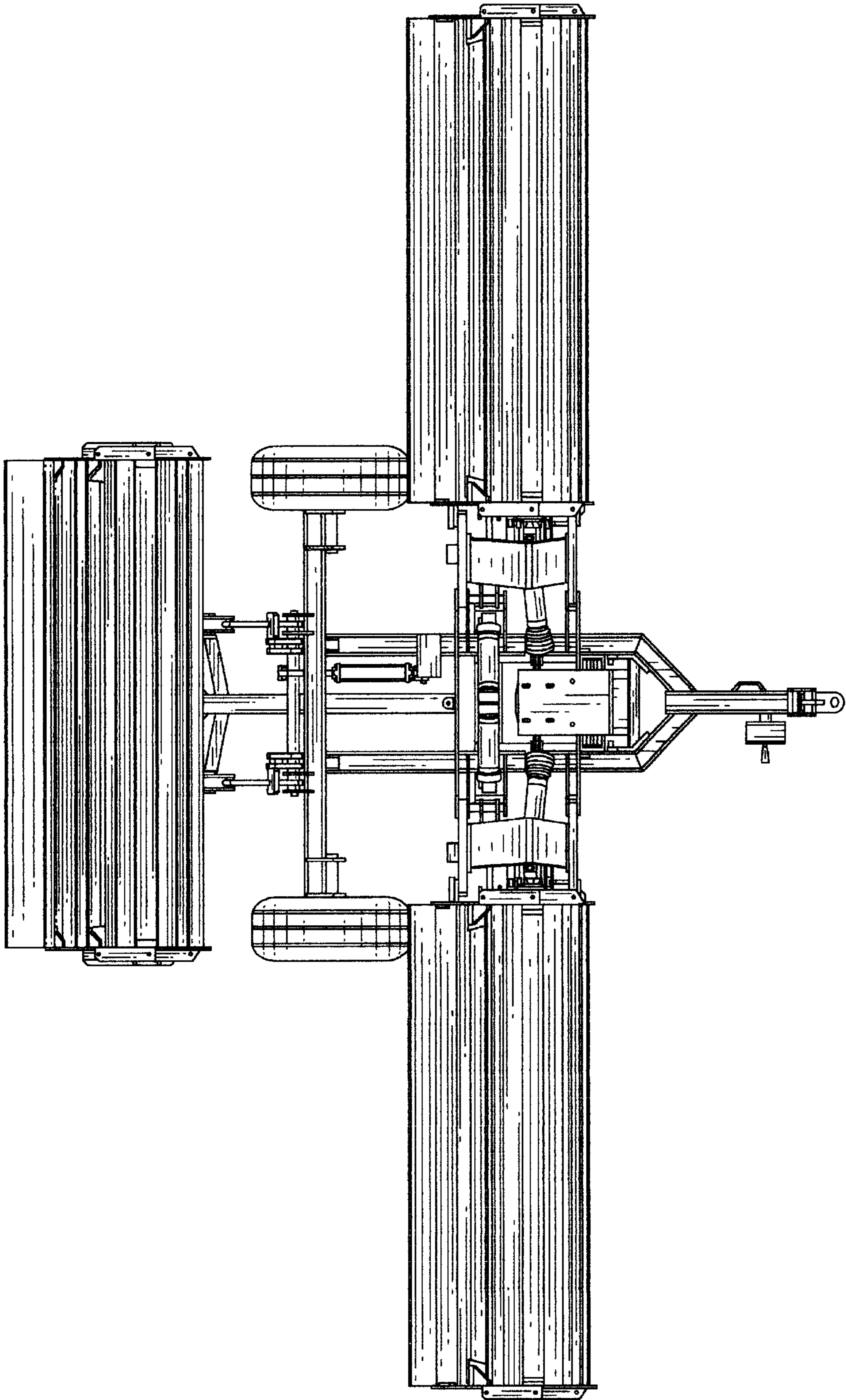


Fig. 4

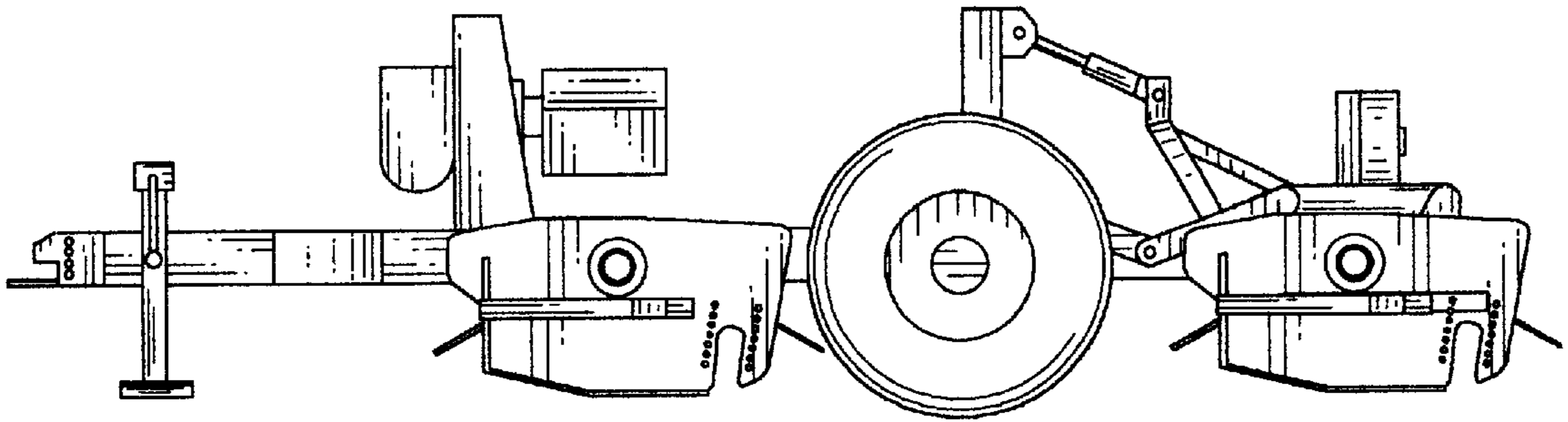


Fig. 5

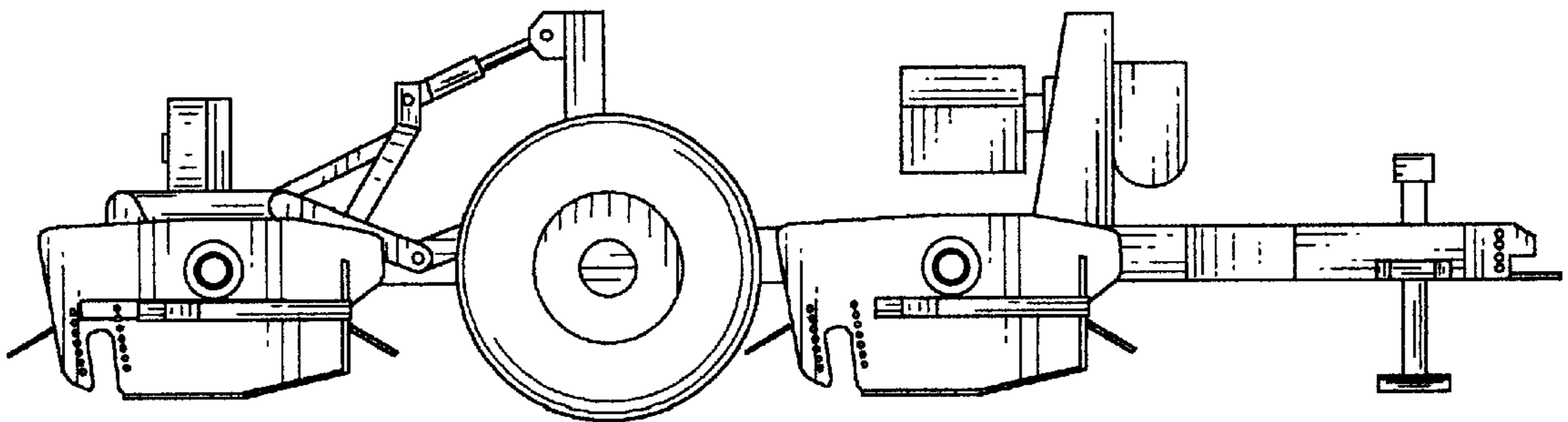


Fig. 6

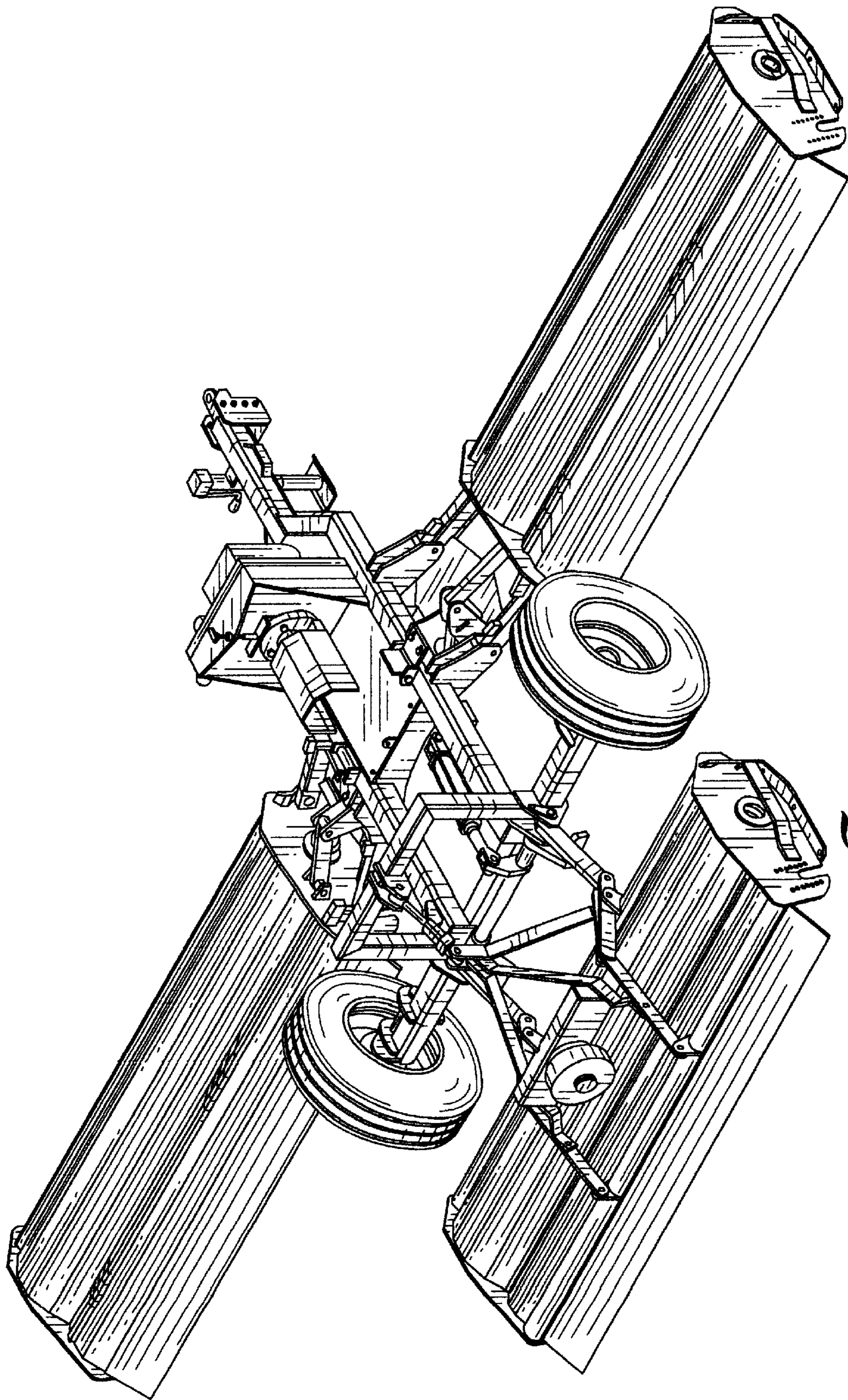


Fig. 7

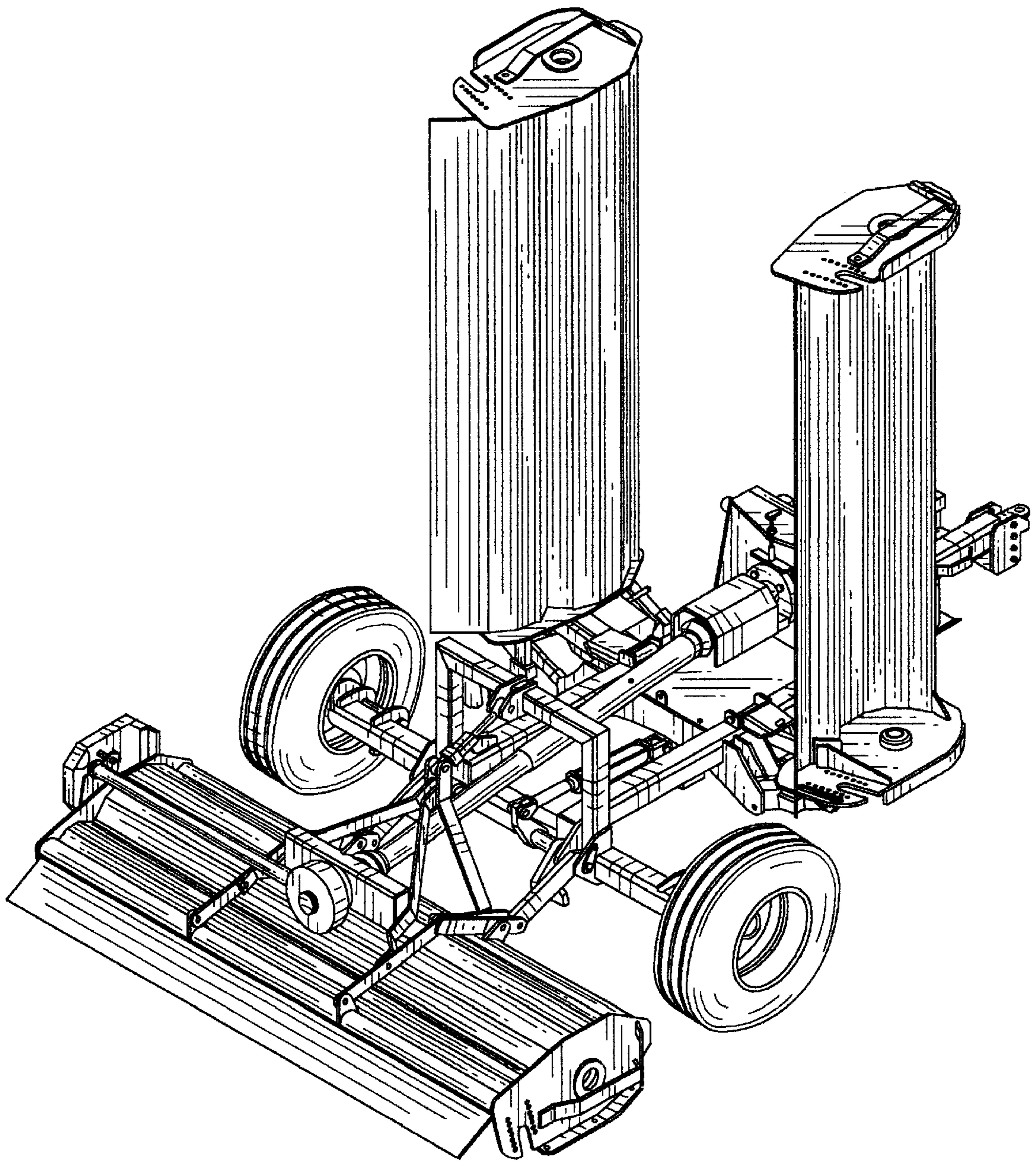


Fig. 8