



US00D477329S

(12) **United States Design Patent**
Heath et al.

(10) **Patent No.:** **US D477,329 S**

(45) **Date of Patent:** **** Jul. 15, 2003**

(54) **DEVICE FOR TRANSMITTING AUDIO/
VIDEO AND RECEIVING REMOTE
CONTROL SIGNALS**

(75) Inventors: **Stephen Robert Heath**, Eindhoven
(NL); **Stephanie Cobigo**, Eindhoven
(NL)

(73) Assignee: **Koninklijke Philips Electronics N.V.**,
Eindhoven (NL)

(**) Term: **14 Years**

(21) Appl. No.: **29/165,899**

(22) Filed: **Aug. 19, 2002**

(30) **Foreign Application Priority Data**

Mar. 5, 2002 (WO) DM/005 639

(51) **LOC (7) Cl.** **14-03**

(52) **U.S. Cl.** **D14/496**

(58) **Field of Search** D14/496, 218,
D14/125, 137, 138, 155, 217; 455/3.01-3.05,
418-420, 403, 70-73, 78, 90, 575, 128,
344, 346, 347, 351, 352, 353, 899; 463/40-42,
46, 47

(56) **References Cited**

U.S. PATENT DOCUMENTS

4,286,335 A * 8/1981 Eichler et al. 485/346

D284,280 S * 6/1986 Mack, Jr. et al. D14/496
5,272,747 A * 12/1993 Meads 455/419
D406,832 S * 3/1999 Anderson D14/496
6,131,033 A * 10/2000 Shi 455/3.01
6,151,490 A * 11/2000 Schultheiss 455/419
D437,860 S * 2/2001 Suzuki et al. D14/496
D441,374 S * 5/2001 Genatossio D14/496
D450,313 S * 11/2001 Koinuma D14/218
6,529,714 B1 * 3/2003 Nakamura et al. 455/90

* cited by examiner

Primary Examiner—Prabhakar Deshmukh
(74) *Attorney, Agent, or Firm*—Ernestine C. Bartlett

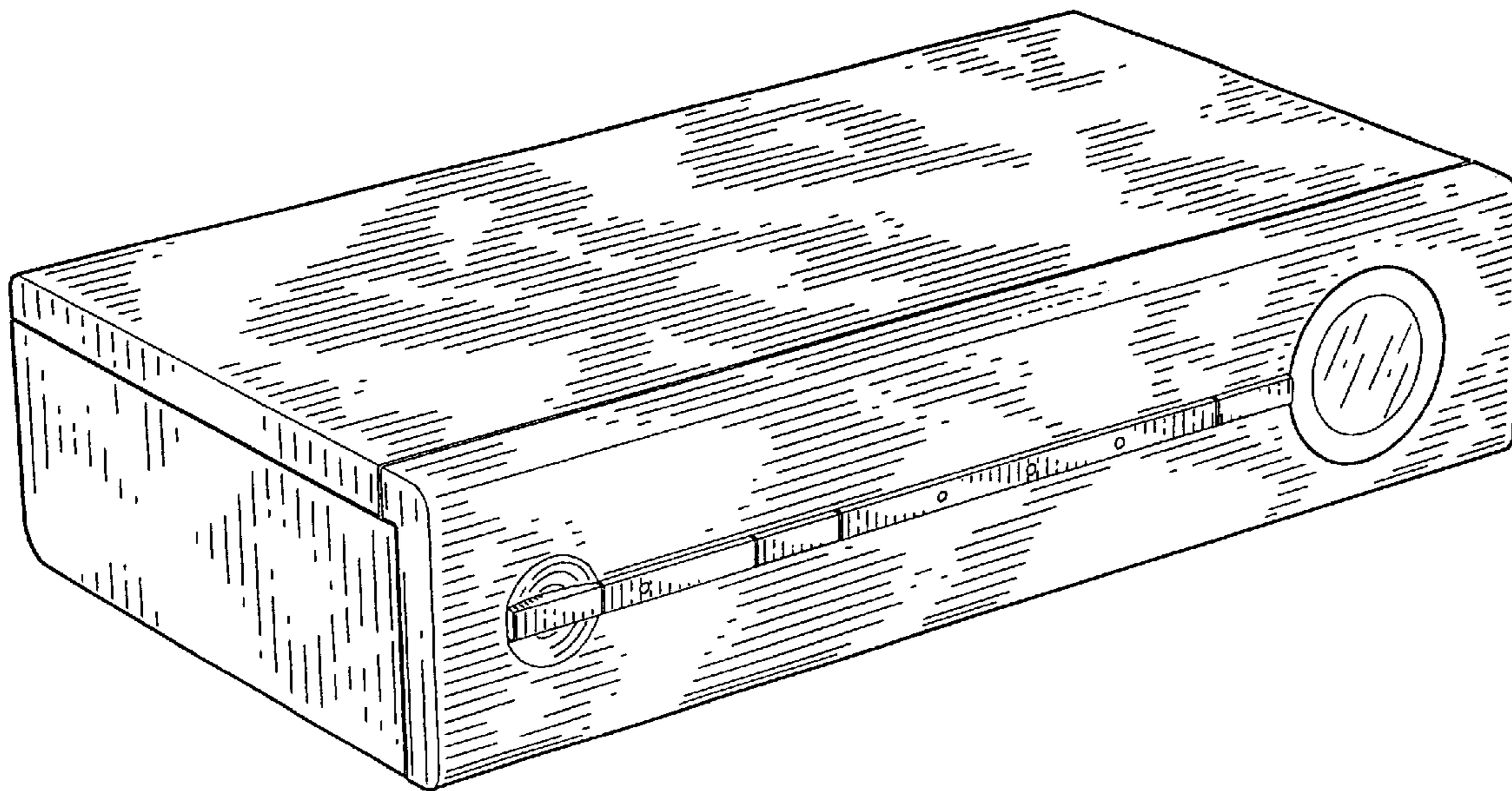
(57) **CLAIM**

The ornamental design for a device for transmitting audio/
video and receiving remote control signals, as shown.

DESCRIPTION

FIG. 1 is a perspective view showing our design;
FIG. 2 is a front elevational view thereof;
FIG. 3 is a rear elevational view thereof;
FIG. 4 is a right side elevational view thereof;
FIG. 5 is a left side elevational view thereof;
FIG. 6 is a top plan view thereof; and,
FIG. 7 is a bottom plan view thereof.

1 Claim, 3 Drawing Sheets



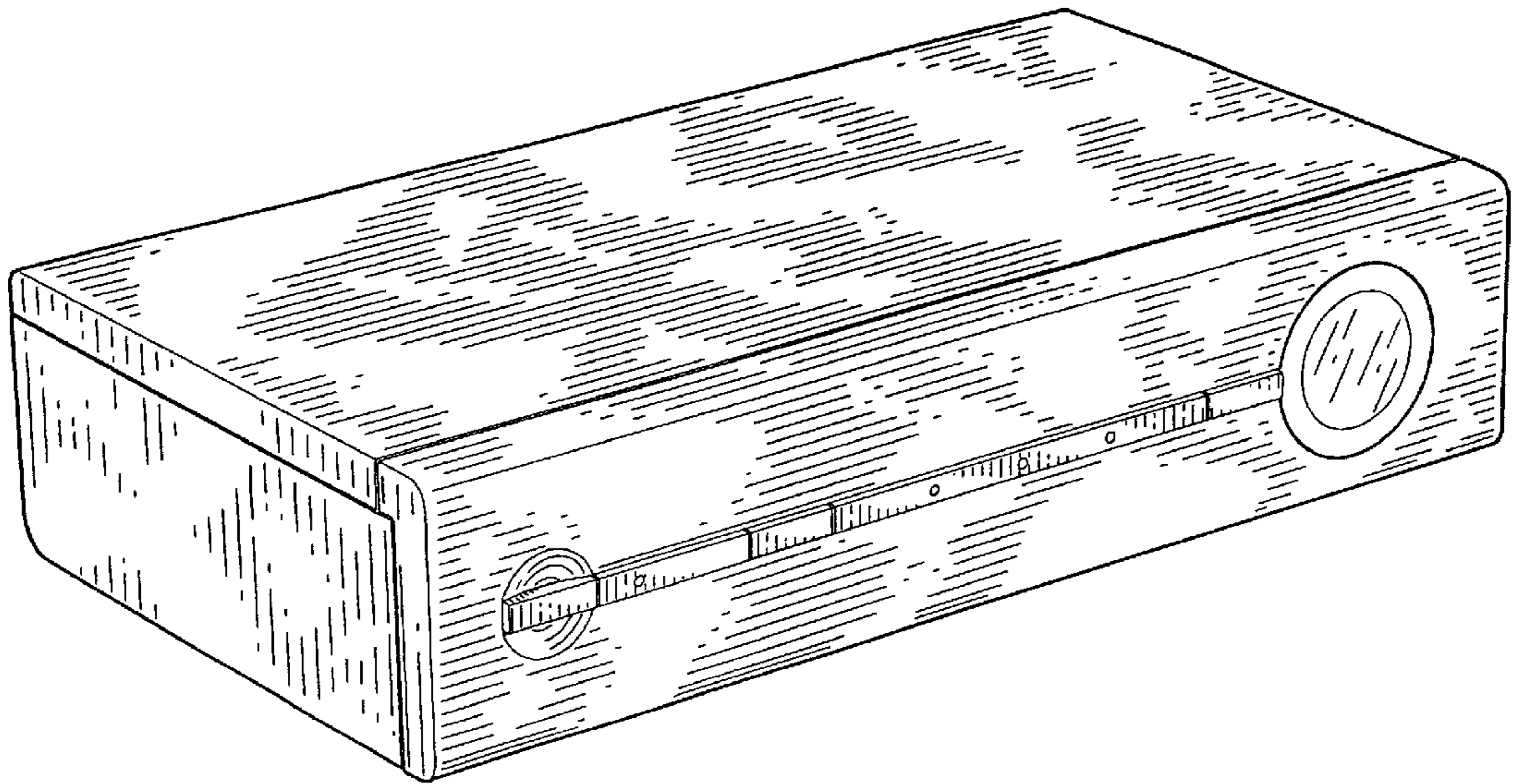


FIG.1

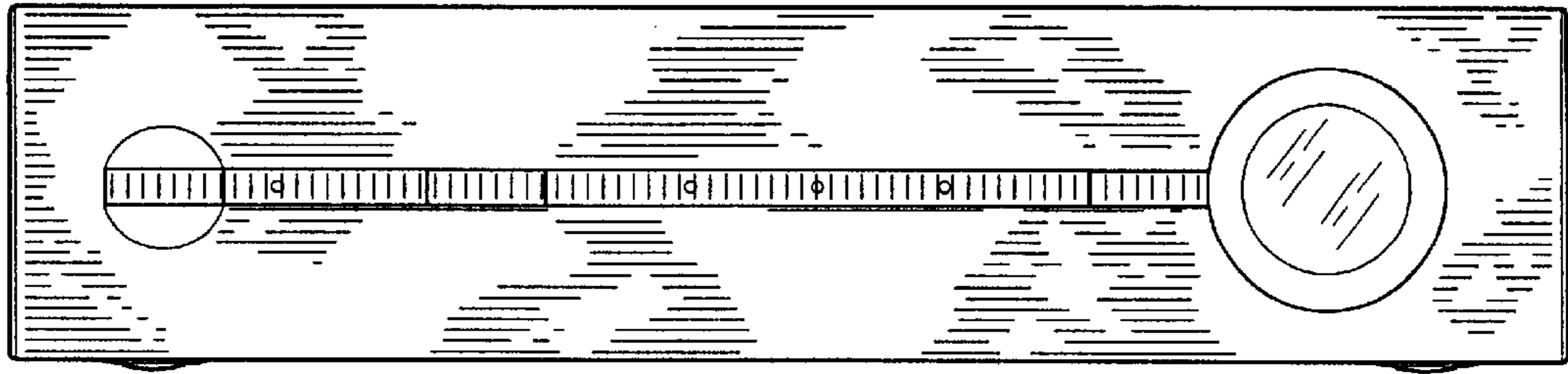


FIG. 2

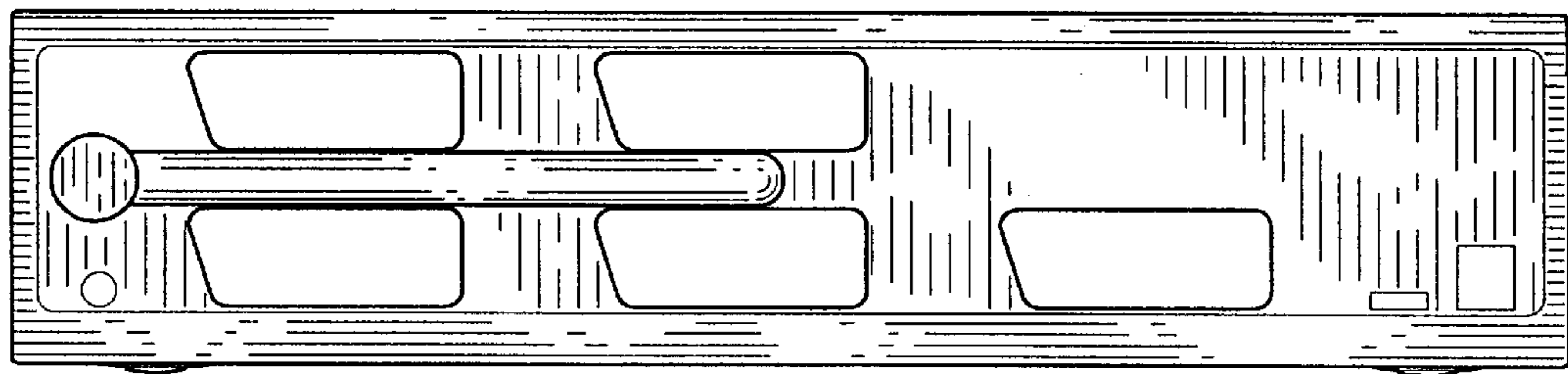


FIG. 3

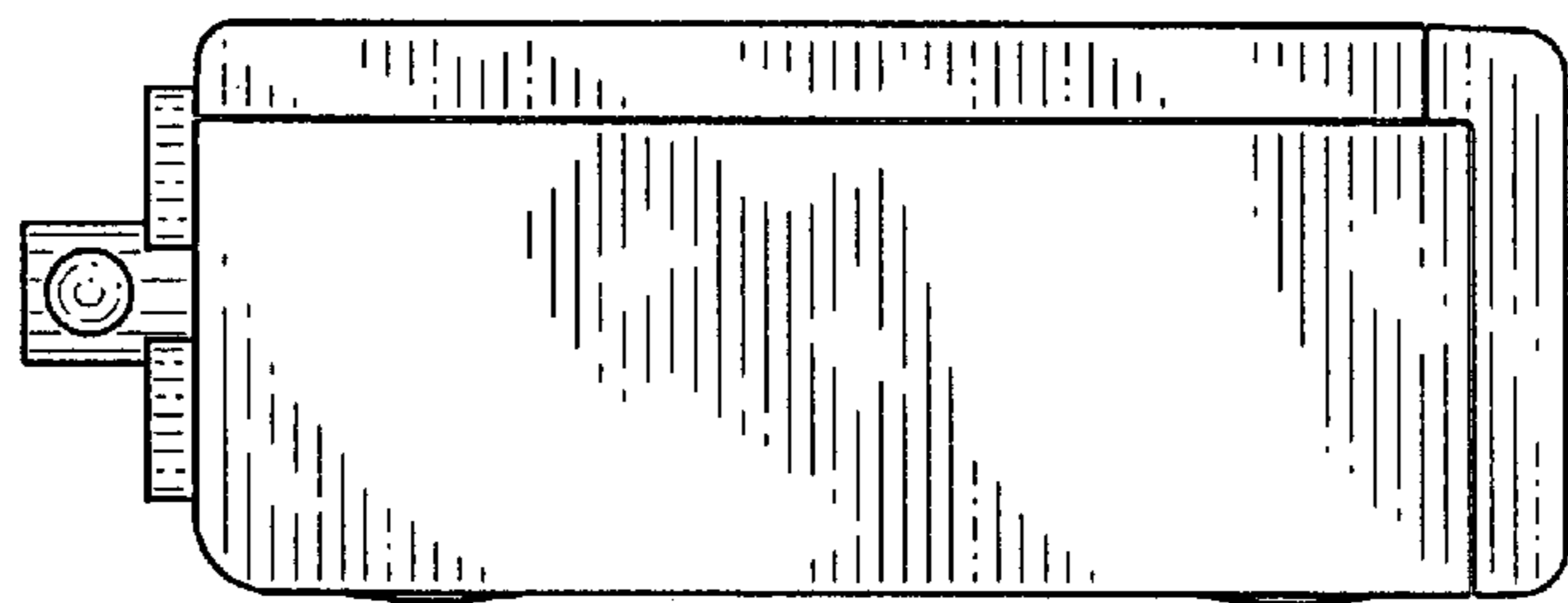


FIG. 4

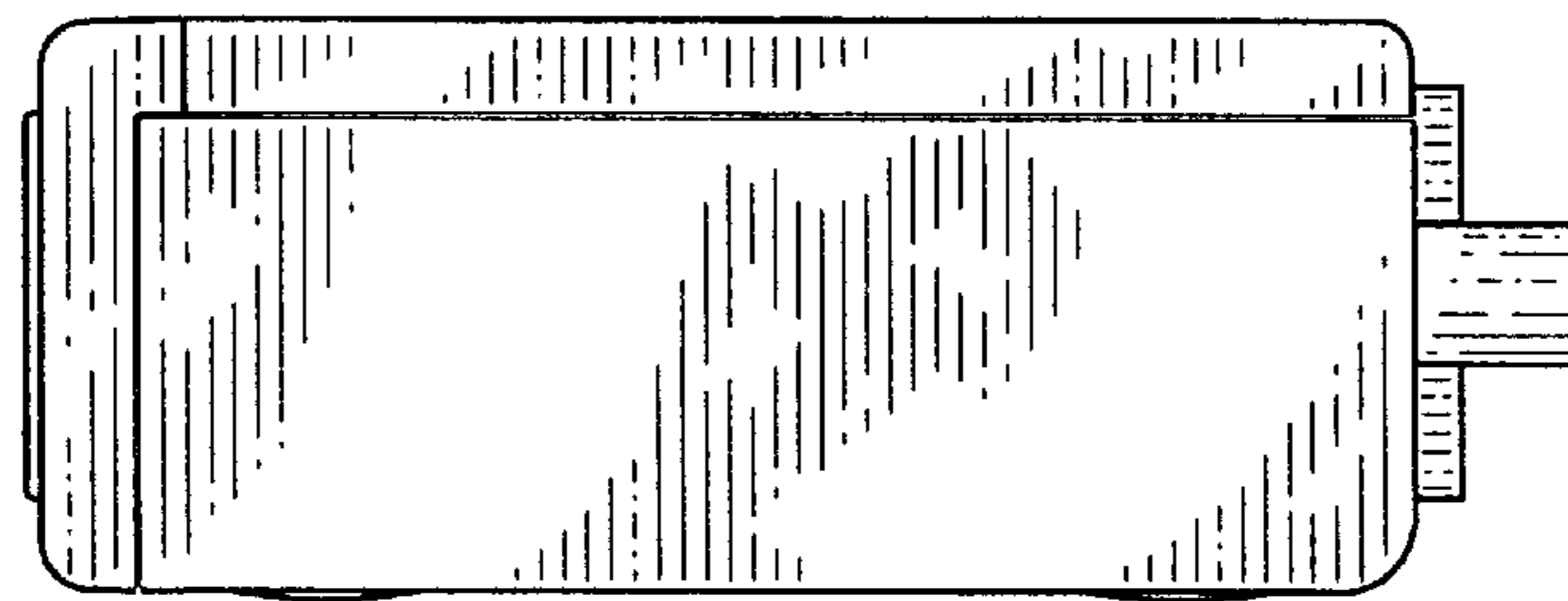


FIG. 5



FIG. 6

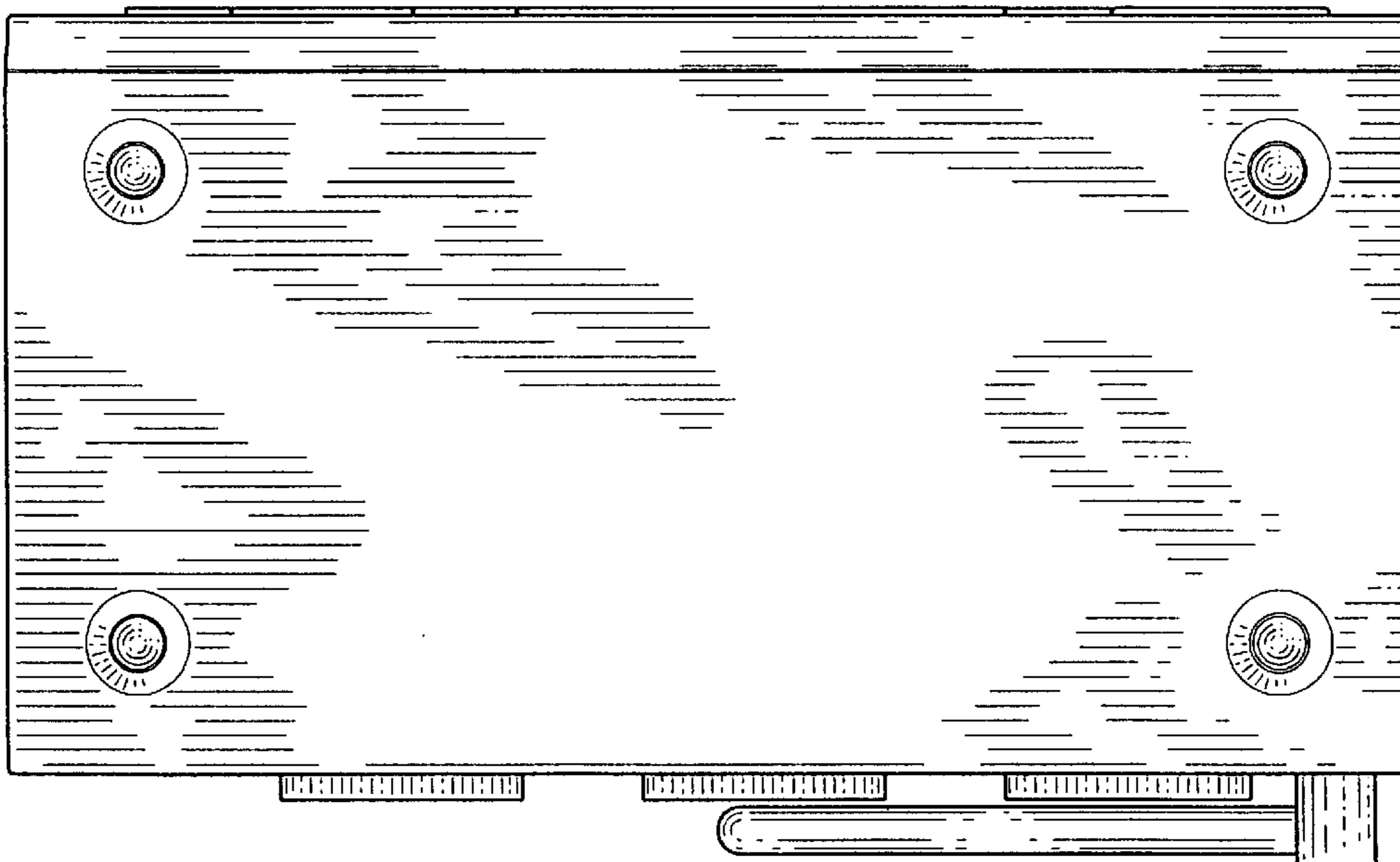


FIG. 7