



US00D477326S

(12) **United States Design Patent**
Nonomura

(10) **Patent No.:** **US D477,326 S**

(45) **Date of Patent:** **** Jul. 15, 2003**

- (54) **CASE FOR TAPE CARTRIDGE**
- (75) Inventor: **Yoshihito Nonomura**, Gifu (JP)
- (73) Assignee: **Brother Industries, Ltd.**, Nagoya (JP)
- (**) Term: **14 Years**
- (21) Appl. No.: **29/169,728**
- (22) Filed: **Oct. 25, 2002**

D277,567 S	2/1985	Ogata et al.
D277,568 S	2/1985	Ogata et al.
D282,357 S	1/1986	Gell
4,773,614 A	9/1988	Makino et al.
D352,305 S	11/1994	Cooper
D368,267 S	3/1996	Rak et al. D14/483
5,585,988 A	12/1996	Kutsukake et al. 360/132
5,645,242 A	7/1997	Kikuchi et al.
D399,839 S	10/1998	Paloheimo et al. D14/483
6,114,016 A	9/2000	Sasaki et al.

Related U.S. Application Data

- (62) Division of application No. 29/143,464, filed on Jun. 15, 2001, now Pat. No. Des. 469,441.

(30) **Foreign Application Priority Data**

Dec. 26, 2000 (JP)	2000-37036
Dec. 26, 2000 (JP)	2000-37039

- (51) **LOC (7) Cl.** **14-99**
- (52) **U.S. Cl.** **D14/483**
- (58) **Field of Search** D14/474-484,
D14/496, 161, 164; 360/131, 134, 137,
132; 242/327, 335, 338, 348, 354, 358,
388.1, 343.2, 345.2, 347, 376, 377, 382,
382.6, 385, 899, DIG. 1, 118; 369/262

(56) **References Cited**

U.S. PATENT DOCUMENTS

3,685,767 A	8/1972	Kakiuchi et al.
3,897,027 A	7/1975	Bolick, Jr.
3,971,071 A	7/1976	Urayama 242/335
4,449,676 A	5/1984	Ogata et al. 242/345.2
4,496,118 A	1/1985	Oishi et al.

Primary Examiner—Prabhakar Deshmukh
(74) *Attorney, Agent, or Firm*—Oliff & Berridge, PLC

(57) **CLAIM**

The ornamental design for a case for tape cartridge, as shown and described.

DESCRIPTION

FIG. 1 is a front view of a case for tape cartridge;
 FIG. 2 is a rear view thereof;
 FIG. 3 is a left side view thereof;
 FIG. 4 is a right side view thereof;
 FIG. 5 is a top view thereof;
 FIG. 6 is a bottom view thereof;
 FIG. 7 is an perspective view thereof;
 FIG. 8 is a perspective view thereof showing the case with a tape spool support mounted therein; and,
 FIG. 9 is a perspective view thereof showing the case with a tape spool support mounted therein and a cover installed on the case.

The broken line showing a cartridge is for illustrative purposes only and forms no part of the claimed design.

1 Claim, 5 Drawing Sheets

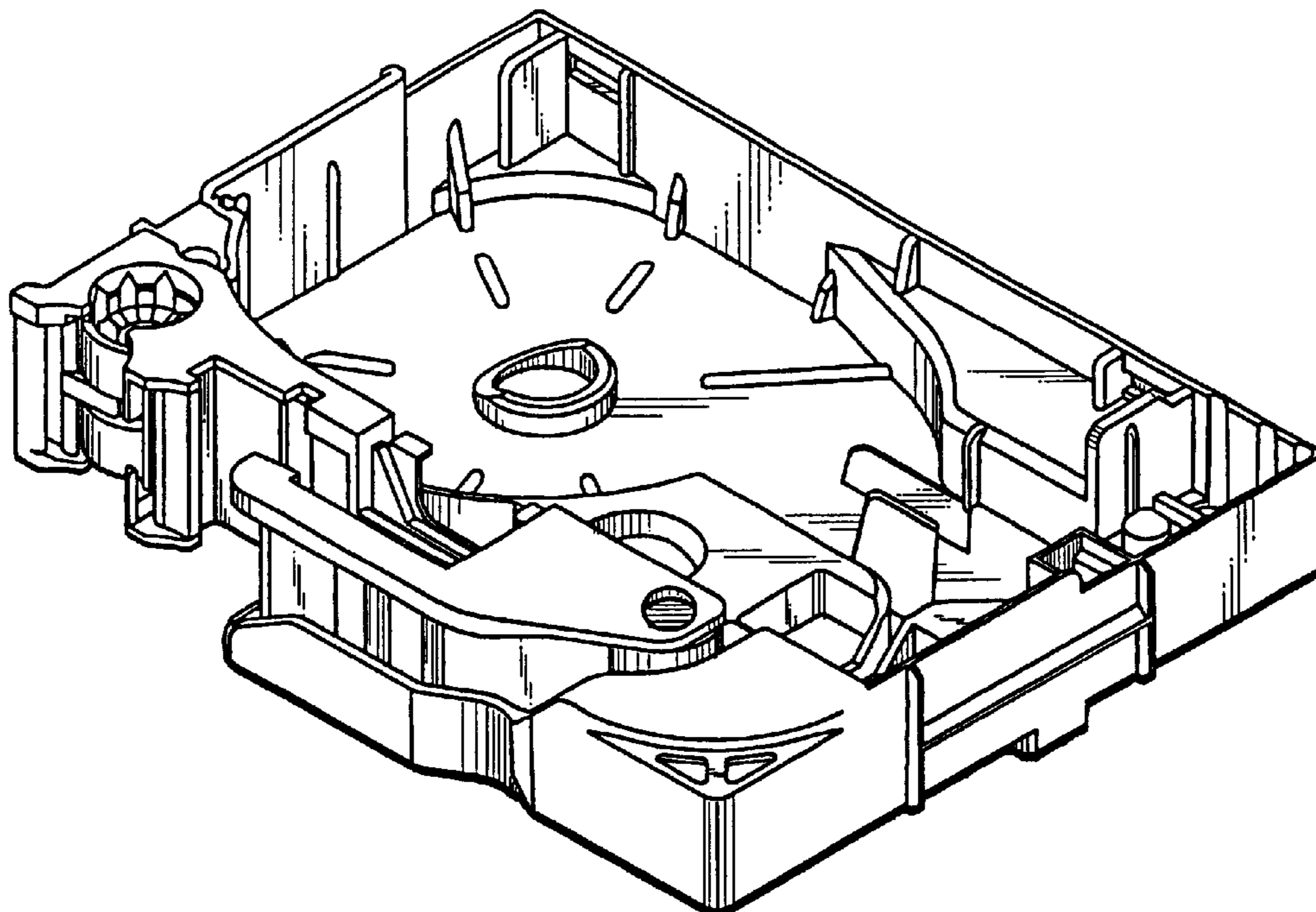


FIG. 1

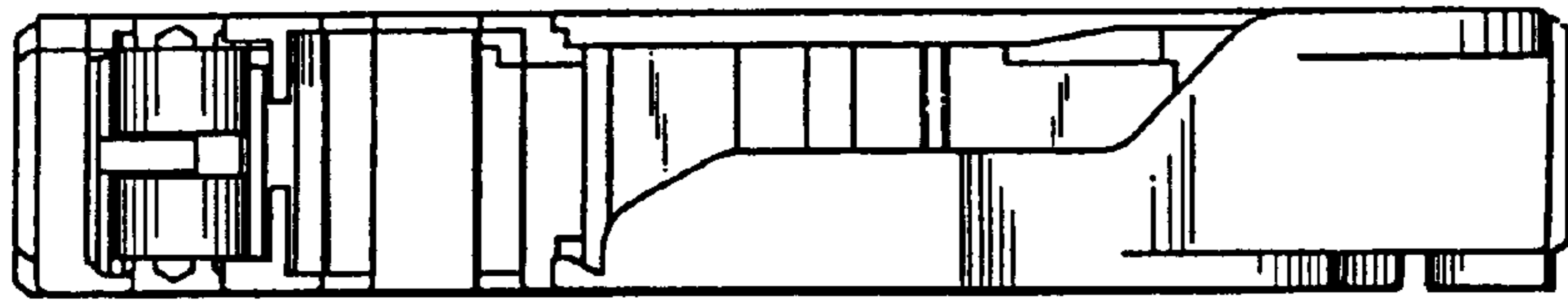


FIG. 2

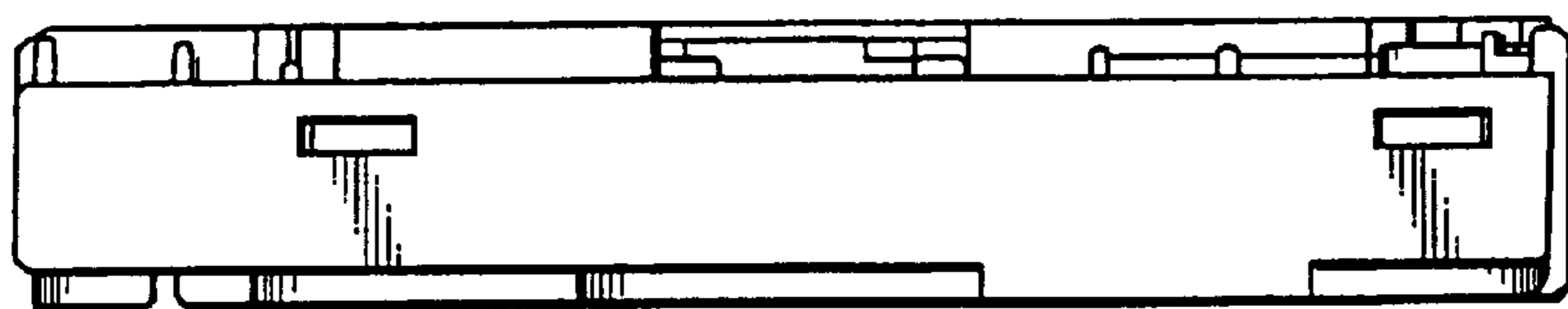


FIG. 3

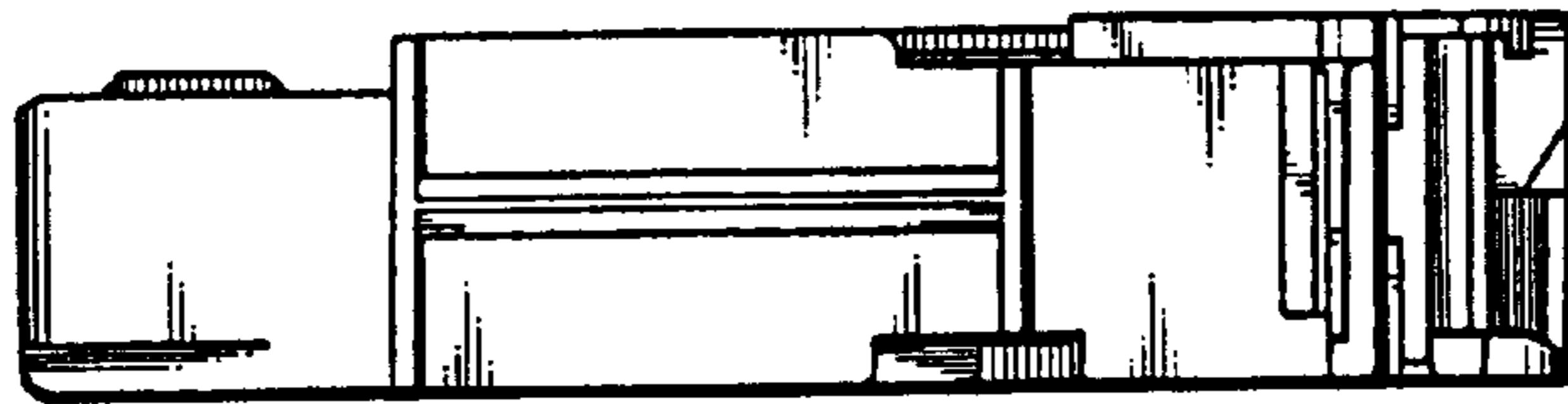


FIG. 4

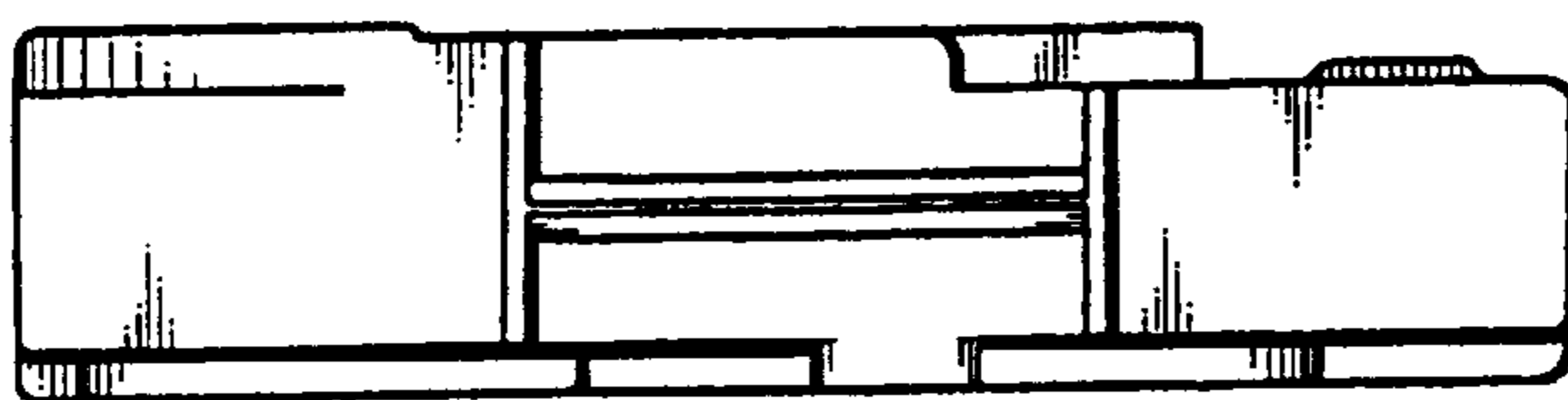


FIG. 5

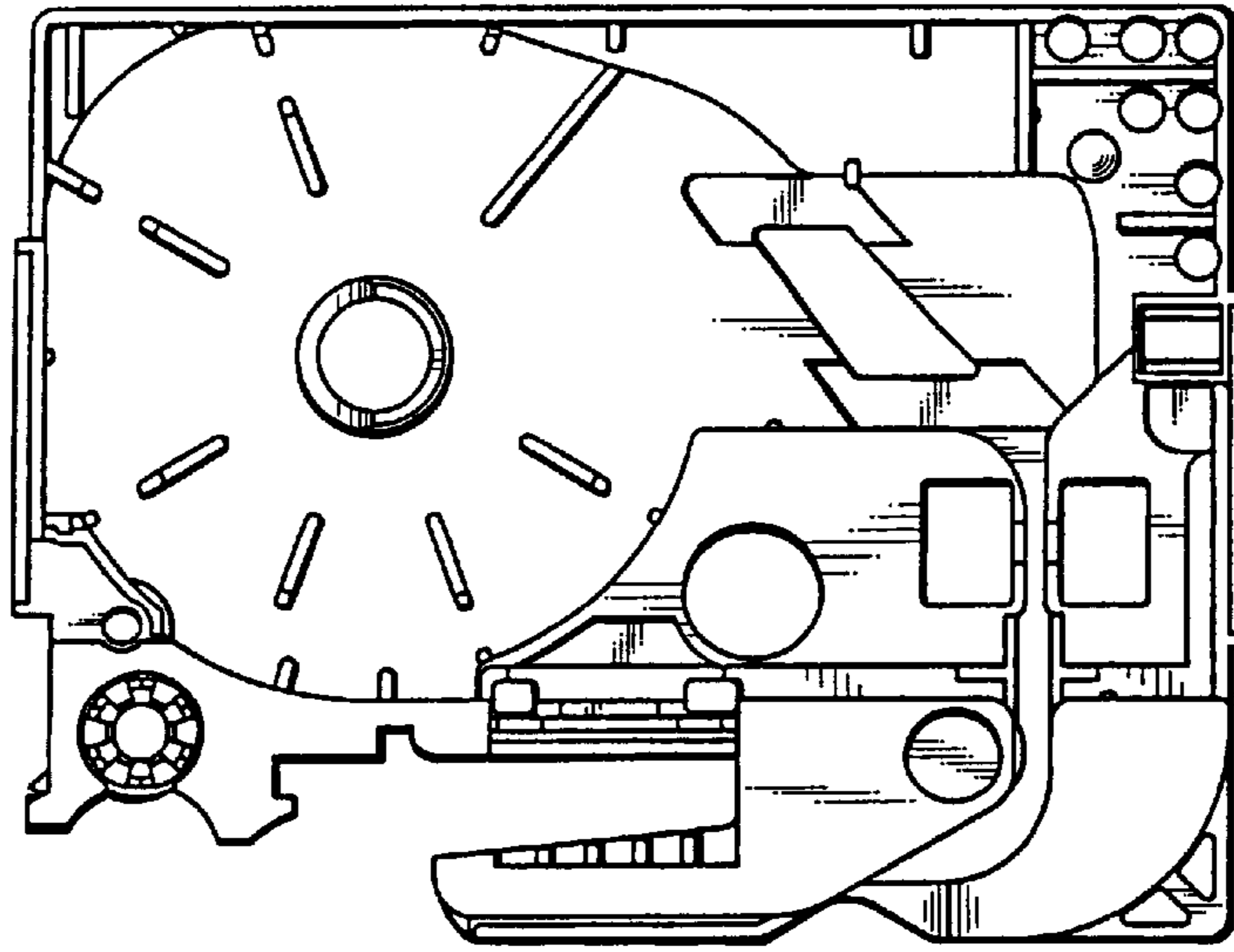


FIG. 6

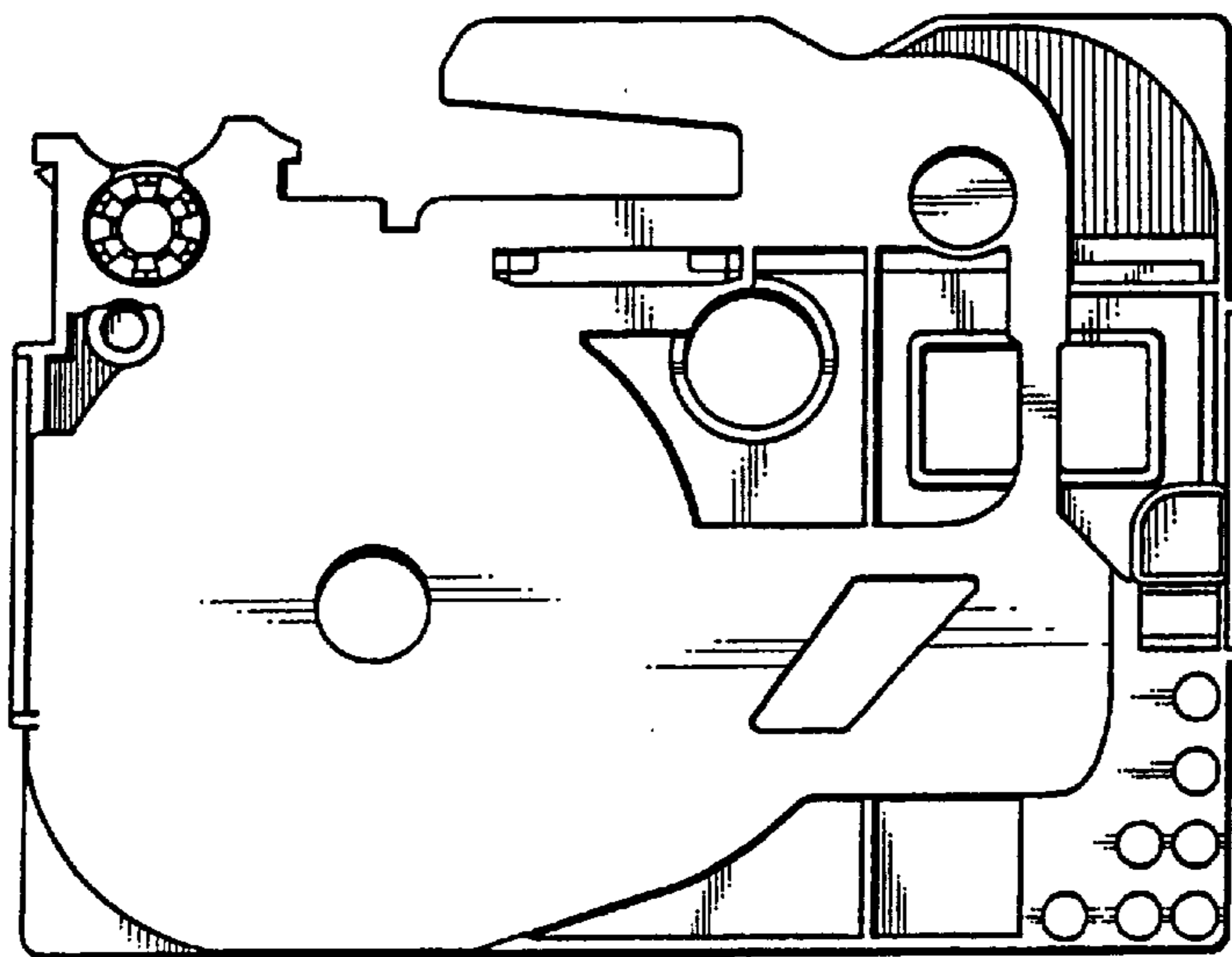


FIG. 7

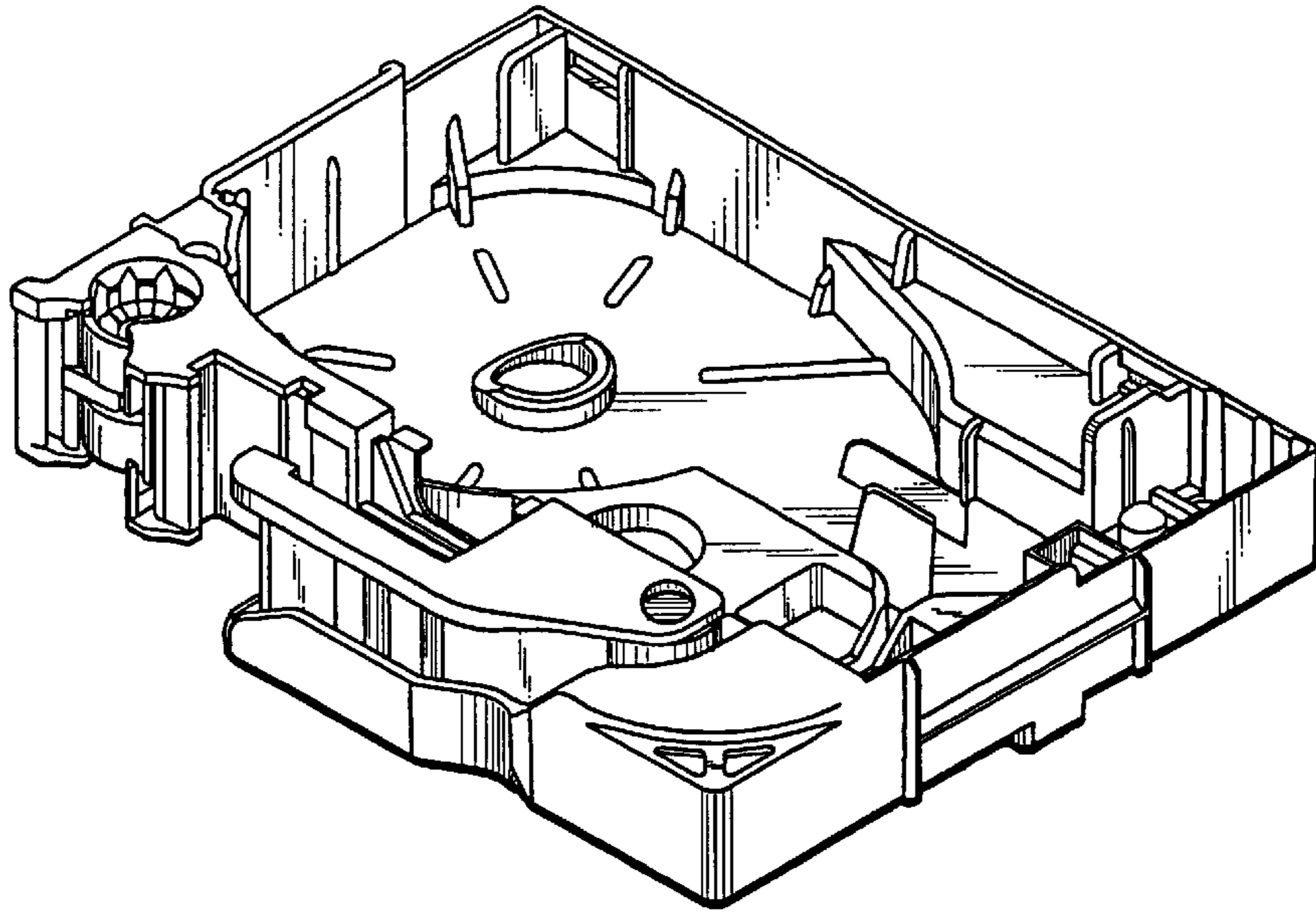


FIG. 8

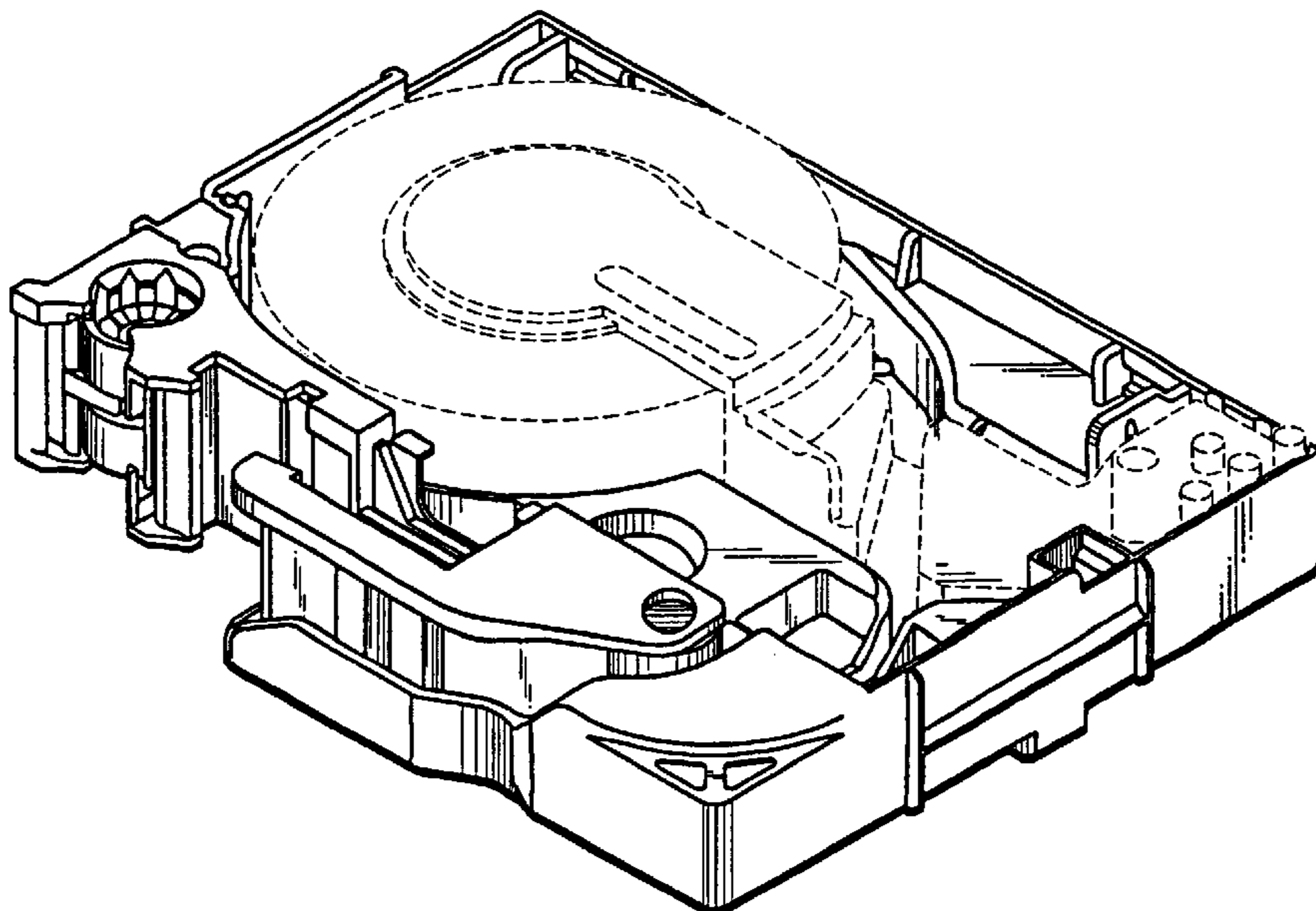


FIG. 9

