



US00D477325S

(12) **United States Design Patent**  
**Theis et al.**

(10) **Patent No.:** **US D477,325 S**  
(45) **Date of Patent:** **\*\* Jul. 15, 2003**

(54) **SUPPORT FOR FLAT PANEL MONITOR DISPLAY UNIT**

6,126,128 A \* 10/2000 Costa et al. .... 248/278.1  
D456,405 S 4/2002 Neal et al. .... D14/374

(75) Inventors: **John W. Theis**, St. Paul, MN (US);  
**Robert W. Fluhrer**, Prior Lake, MN (US)

**FOREIGN PATENT DOCUMENTS**

CA 2319313 \* 7/1999

\* cited by examiner

(73) Assignee: **Ergotron, Inc.**, Eagan, MN (US)

*Primary Examiner*—Freda Nunn

(\*\*) Term: **14 Years**

(74) *Attorney, Agent, or Firm*—Schwegman, Lundberg, Woessner & Kluth, P.A.

(21) Appl. No.: **29/159,593**

(57) **CLAIM**

(22) Filed: **Apr. 24, 2002**

The ornamental design for a support for flat panel monitor display unit, as shown and described.

(51) **LOC (7) Cl.** ..... **14-02**

(52) **U.S. Cl.** ..... **D14/451**

(58) **Field of Search** ..... D14/432, 447,  
D14/448, 451, 452; D8/354, 373; 248/917-921,  
278.1, 485

**DESCRIPTION**

(56) **References Cited**

**U.S. PATENT DOCUMENTS**

1,476,758 A \* 12/1923 Hodny ..... 248/485  
D367,477 S \* 2/1996 Rosen ..... D14/452  
D391,243 S \* 2/1998 Rosen ..... D14/452  
5,842,672 A \* 12/1998 Sweere et al. .... 248/278.1  
5,876,008 A 3/1999 Sweere et al. .... 248/325  
D412,161 S 7/1999 Theis et al. .... D14/114  
5,918,841 A 7/1999 Sweere et al. .... 248/123.11  
D413,110 S 8/1999 Sweere et al. .... D14/114  
D415,768 S 10/1999 Howell ..... D14/239  
6,015,120 A 1/2000 Sweere et al. .... 248/123.11  
D427,163 S 6/2000 Bergeron et al. .... D14/114

FIG. 1 is a perspective view of a support for flat panel monitor display unit, incorporating the new design.

FIG. 2 is a front elevation of the support for flat panel monitor display unit of FIG. 1.

FIG. 3 is a rear elevation of the support for flat panel monitor display unit of FIG. 1.

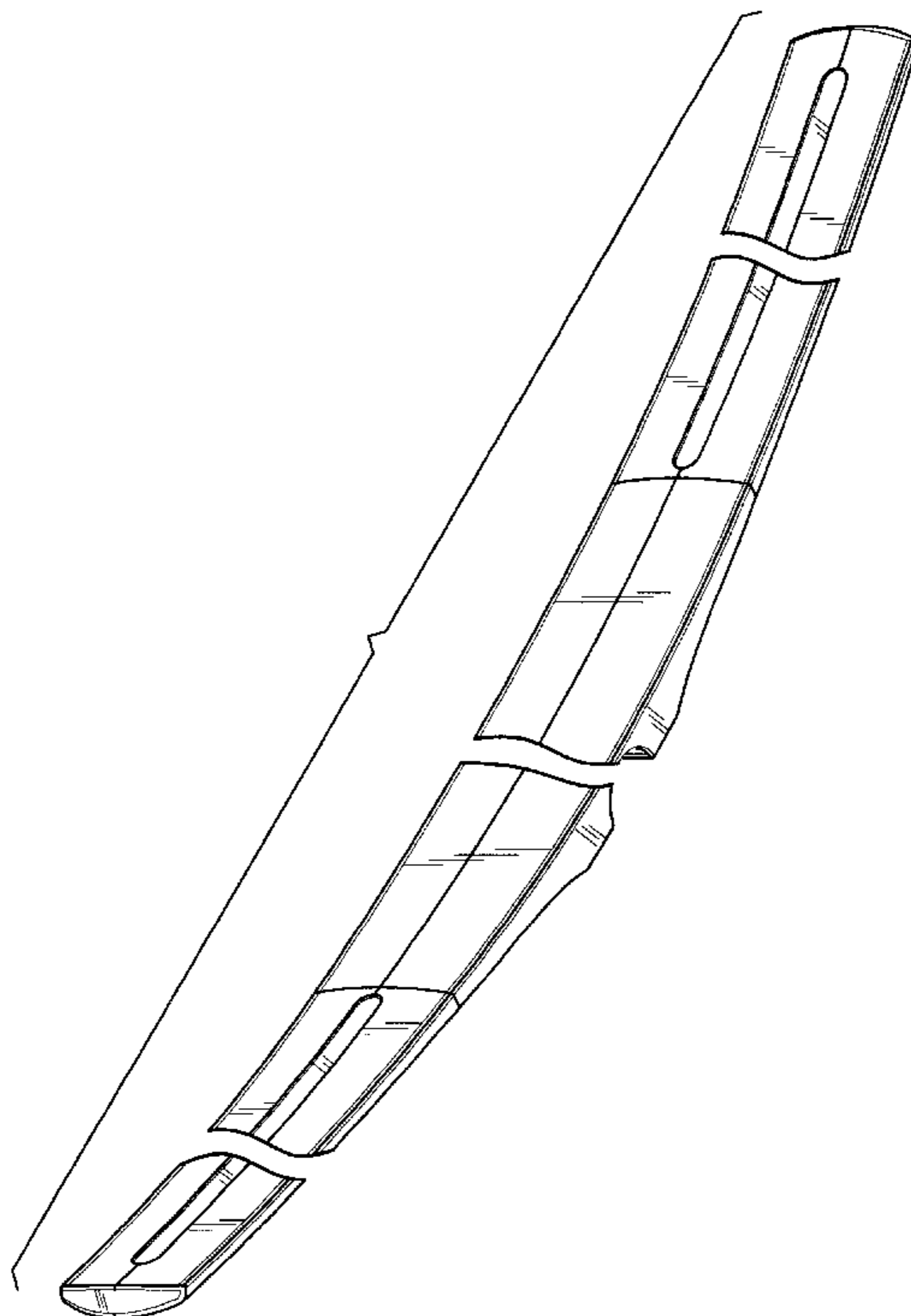
FIG. 4 is a left side elevation of the support for flat panel monitor display unit of FIG. 1.

FIG. 5 is a right side elevation of the support for flat panel monitor display unit of FIG. 1.

FIG. 6 is a top plan of the support for flat panel monitor display unit of FIG. 1; and,

FIG. 7 is a bottom plan of the support for flat panel monitor display unit of FIG. 1.

**1 Claim, 6 Drawing Sheets**



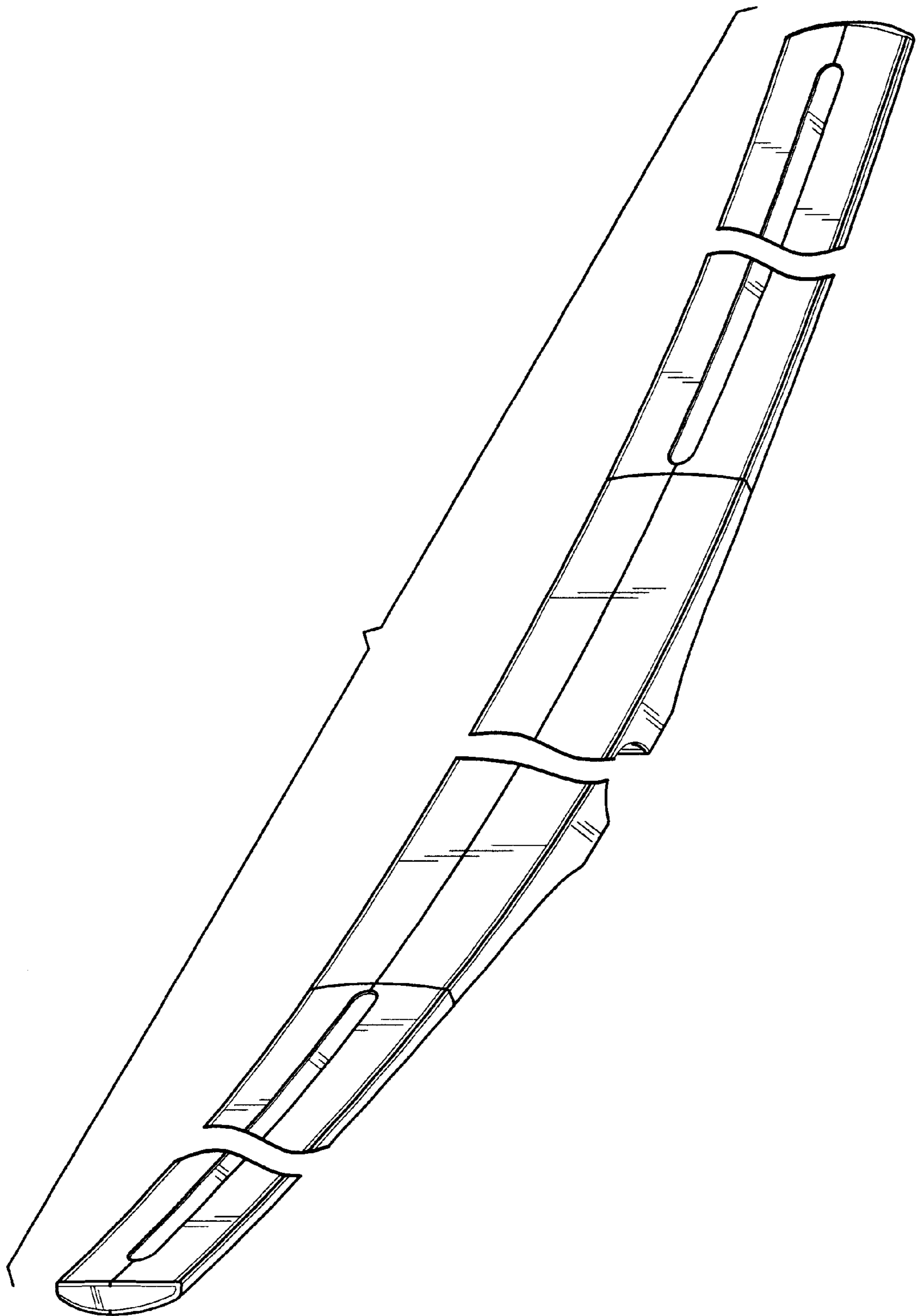


FIG. 1

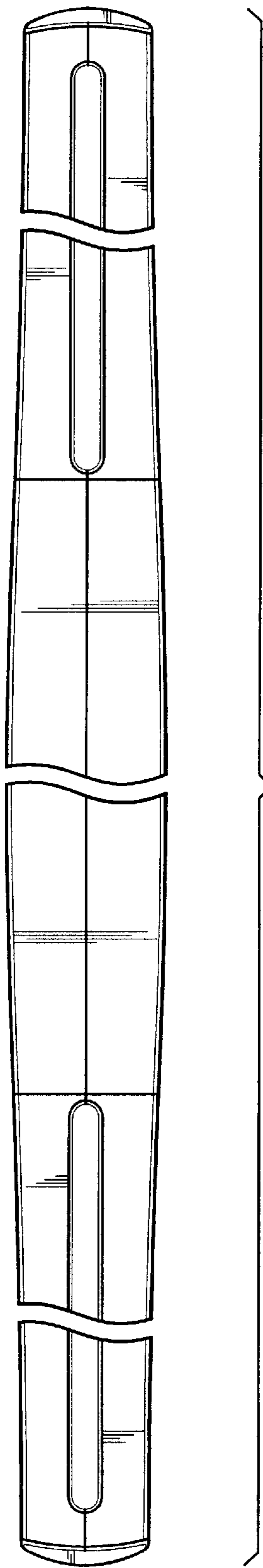


FIG. 2

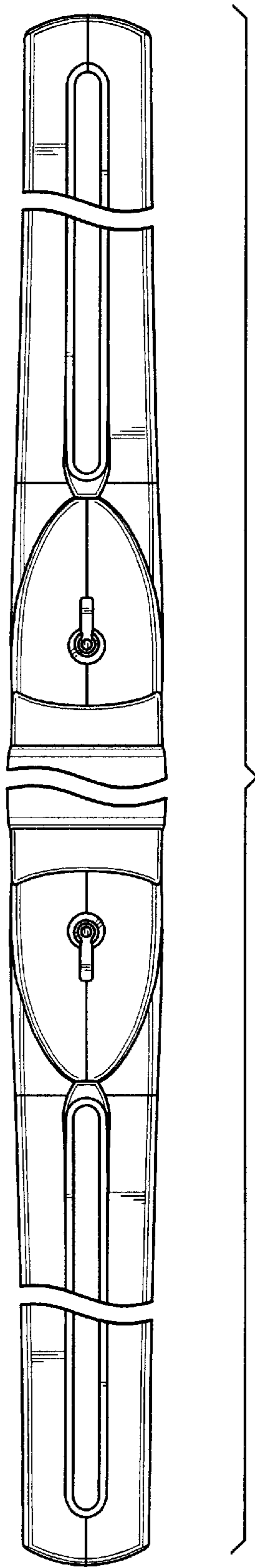


FIG. 3

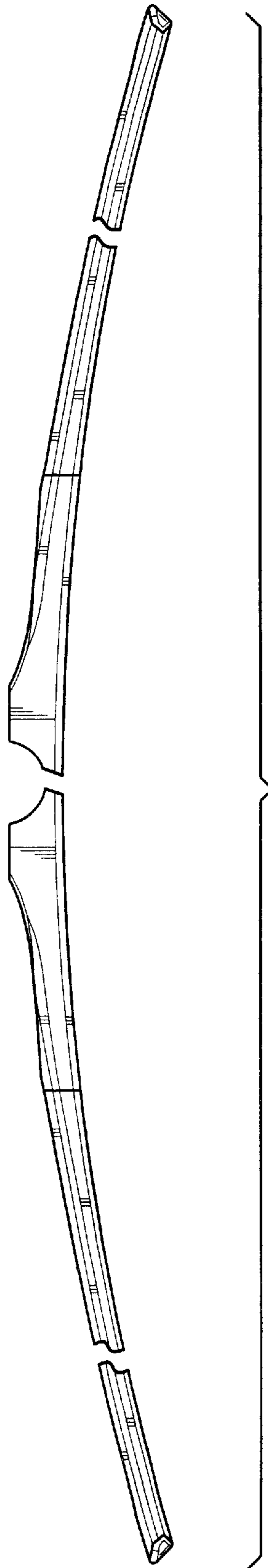


FIG. 4

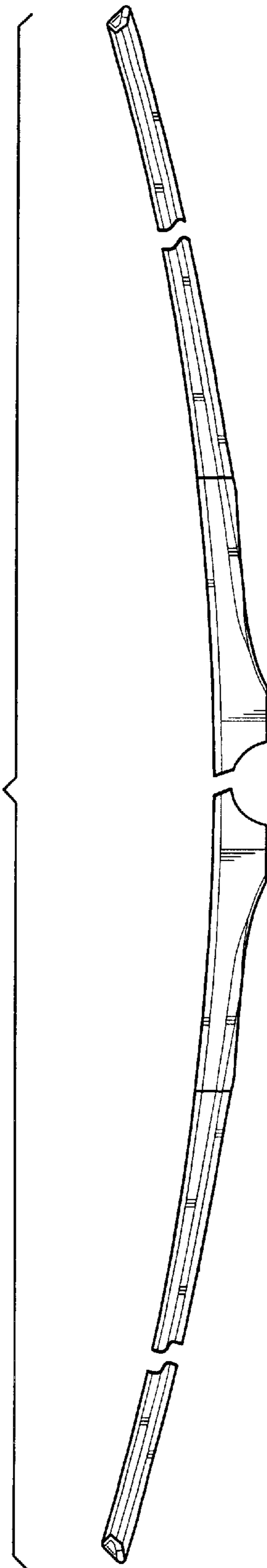


FIG. 5

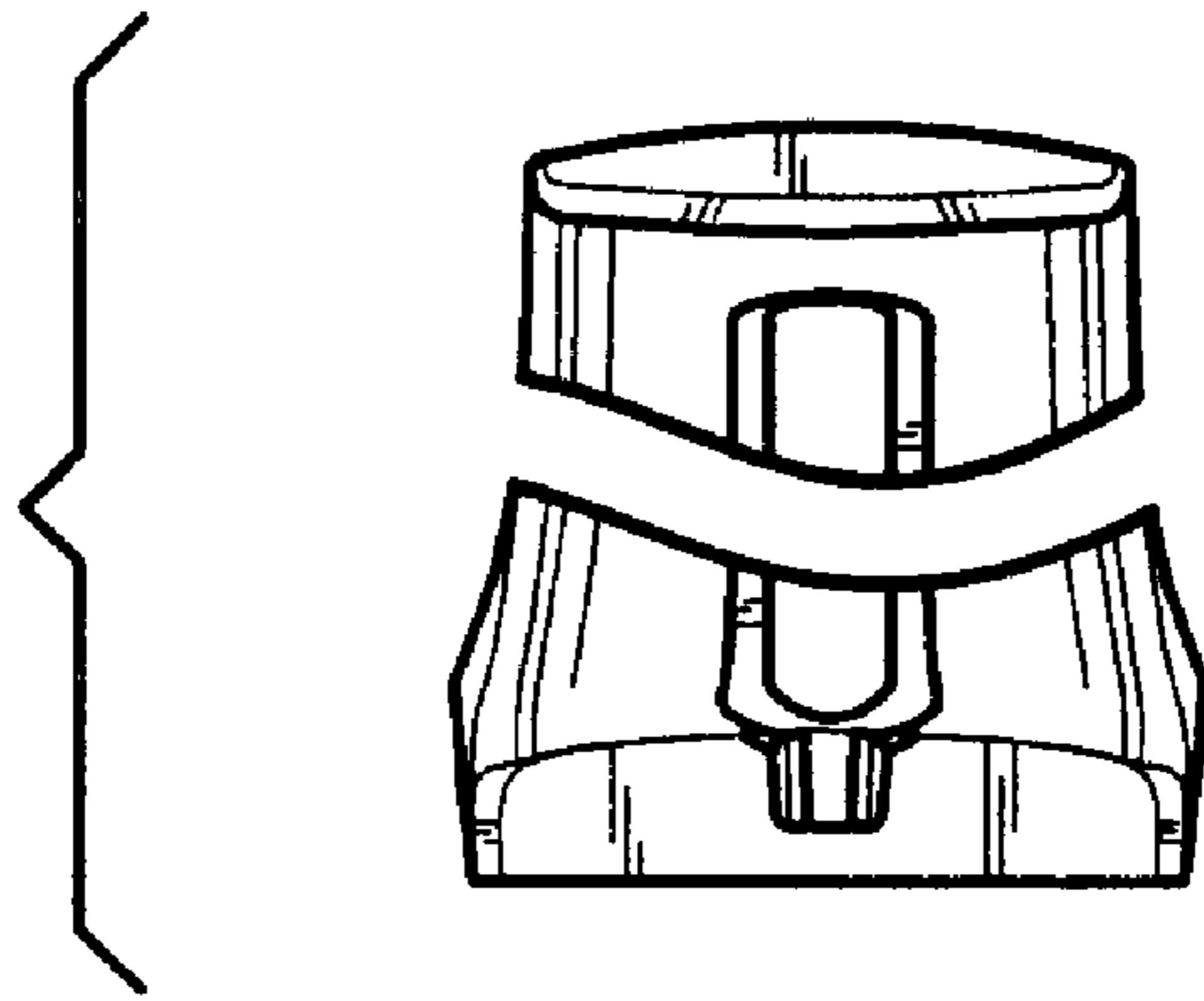


FIG. 6

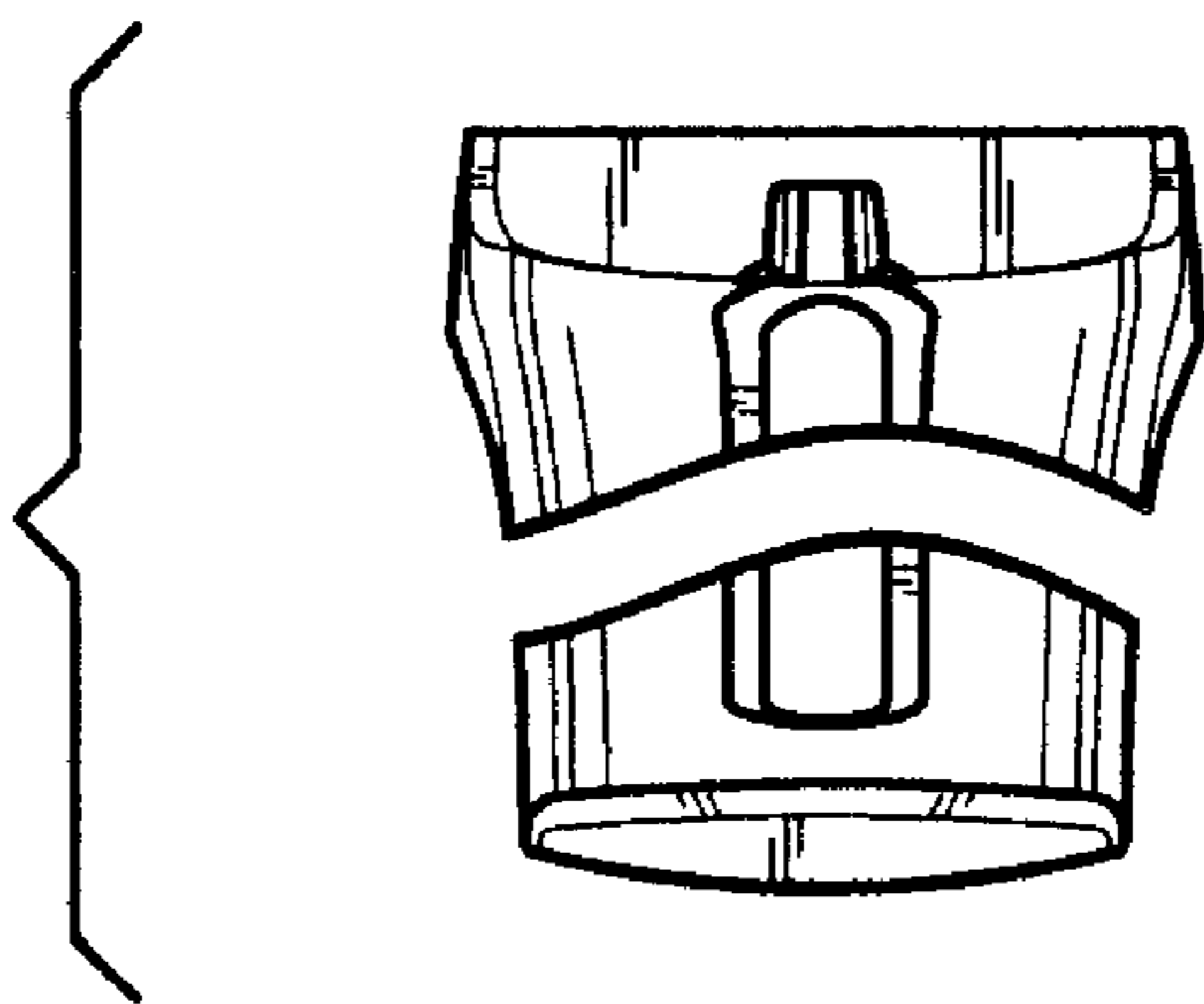


FIG. 7