



US00D477321S

(12) **United States Design Patent**  
**Baughman**

(10) **Patent No.:** **US D477,321 S**

(45) **Date of Patent:** **\*\* Jul. 15, 2003**

(54) **PORTABLE CARD READER**

(76) Inventor: **Mark R. Baughman**, 114 S. Irena Ave., #2, Redondo Beach, CA (US) 90277

(\*\*) Term: **14 Years**

(21) Appl. No.: **29/161,100**

(22) Filed: **May 22, 2002**

(51) **LOC (7) Cl.** ..... **14-02**

(52) **U.S. Cl.** ..... **D14/385**

(58) **Field of Search** ..... D14/383, 385-387, D14/420; 235/380, 382, 382.5; 355/64, 65, 75, 81

(56) **References Cited**

**U.S. PATENT DOCUMENTS**

D351,152 S	*	10/1994	Liu	.....	D14/385
D366,466 S	*	1/1996	Lee et al.	.....	D14/385
D368,255 S	*	3/1996	Sasaki et al.	.....	D14/420
D389,466 S	*	1/1998	Nakao et al.	.....	D14/387

\* cited by examiner

*Primary Examiner*—Freda Nunn

(74) *Attorney, Agent, or Firm*—Wood, Phillips, Katz, Clark & Mortimer

(57) **CLAIM**

The ornamental design for a portable card reader, as shown and described.

**DESCRIPTION**

FIG. 1 is a perspective view taken from from the top, front and one side of my design for a portable card reader;

FIG. 2 is a plan view thereof;

FIG. 3 is a bottom view thereof;

FIG. 4 is a side elevation view thereof from the side opposite that in FIG. 1;

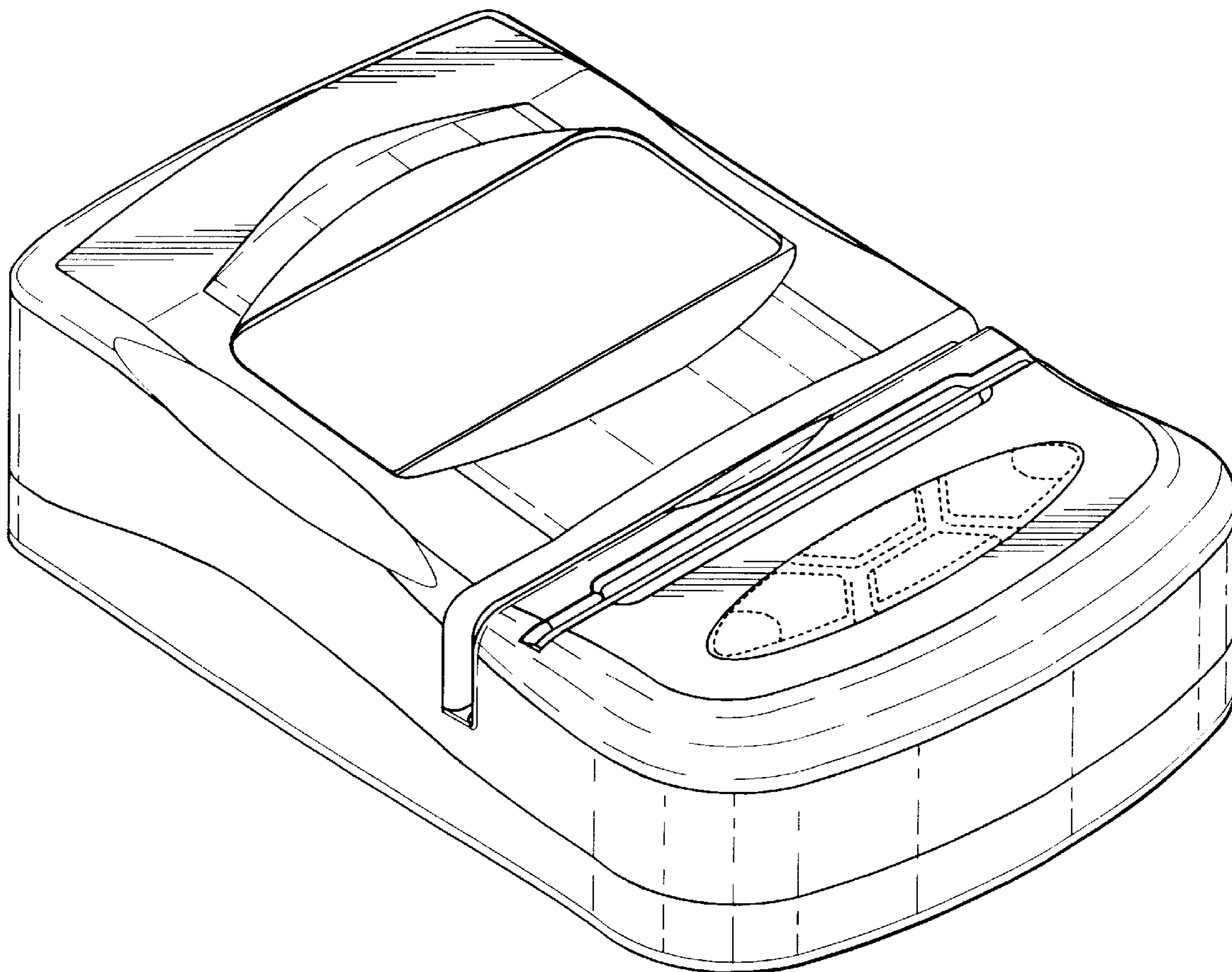
FIG. 5 is a side elevation view thereof from the same side as in FIG. 1;

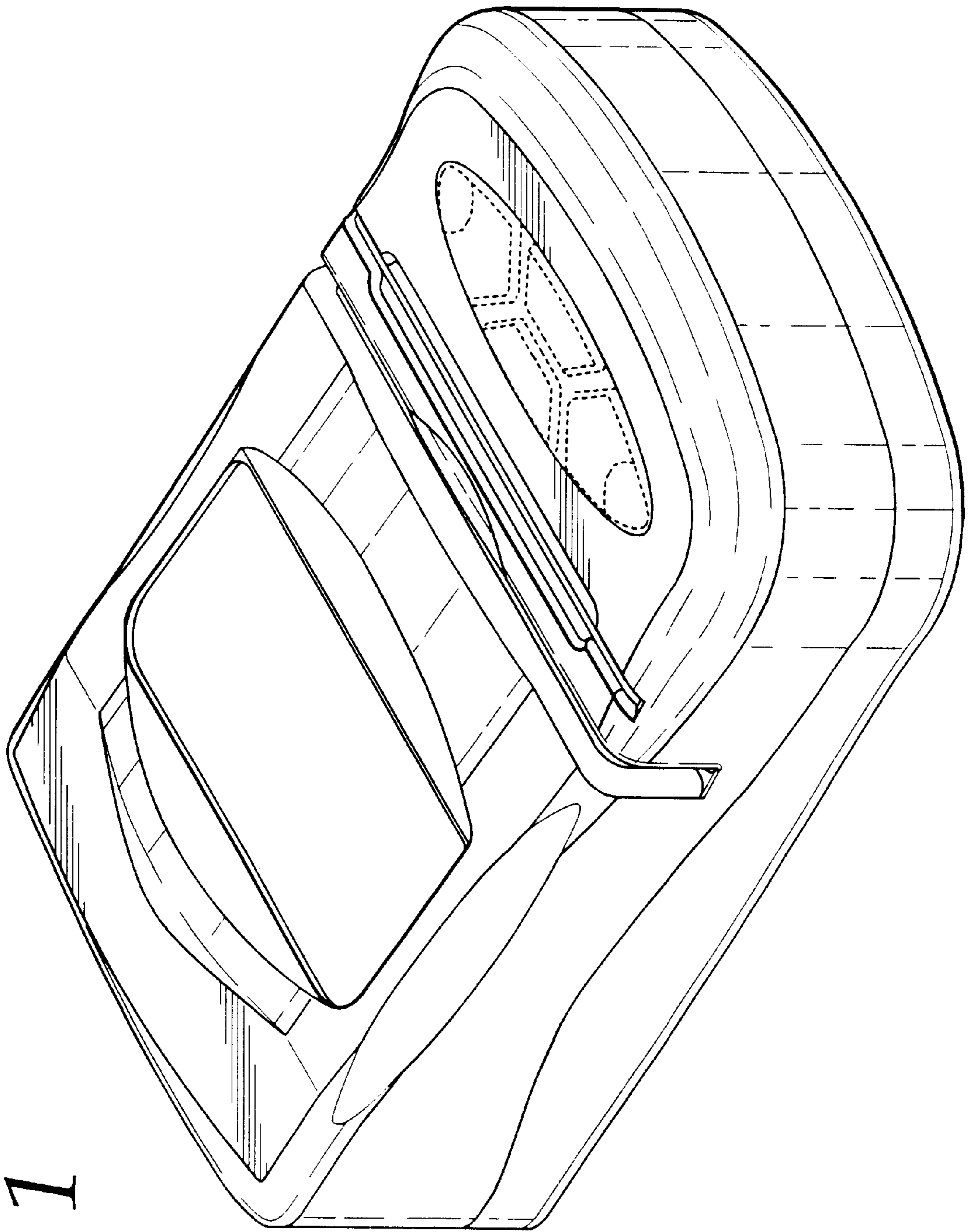
FIG. 6 is a front elevation view thereof; and,

FIG. 7 is a rear elevation thereof.

The portions of the portable card reader shown in dotted lines do not constitute a part of the claimed design.

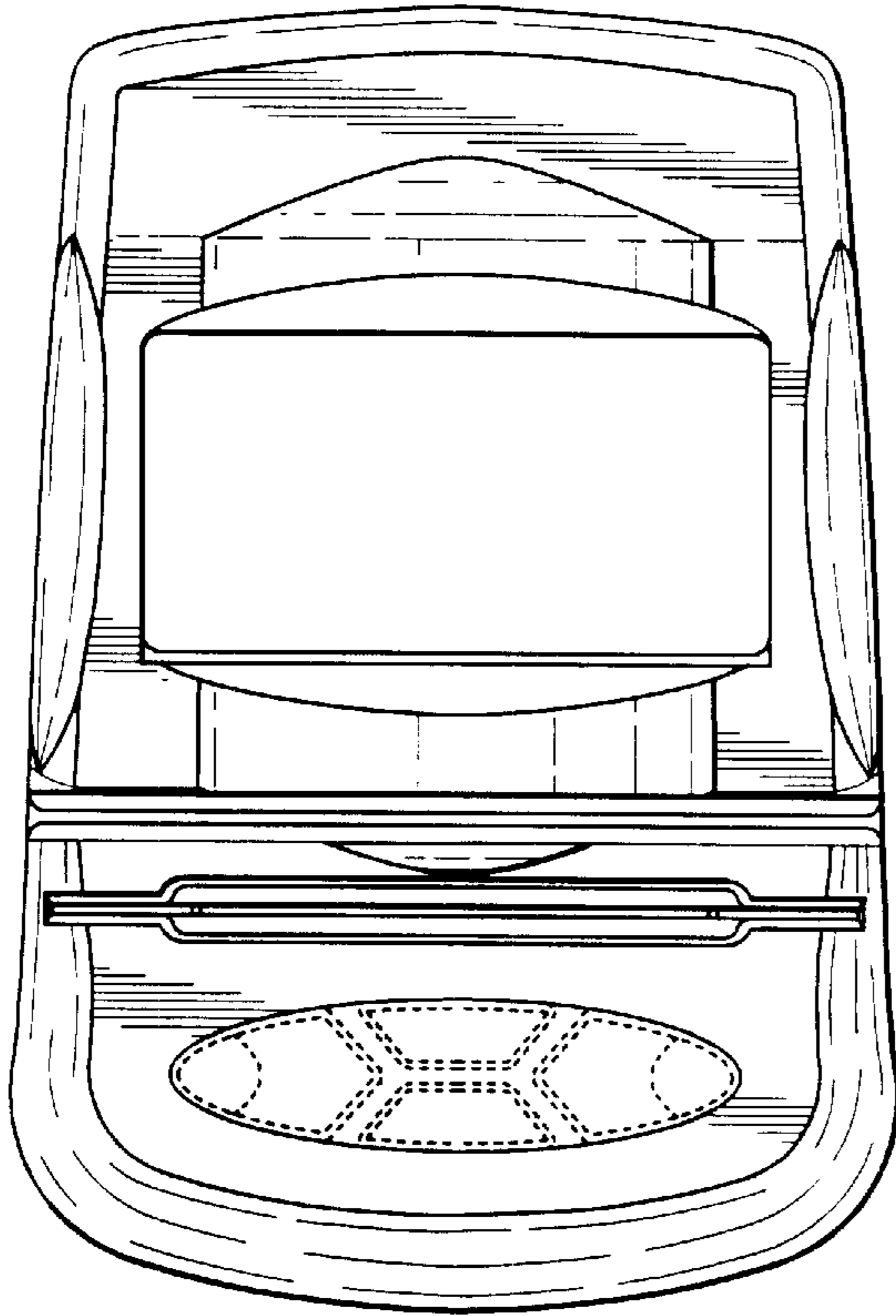
**1 Claim, 4 Drawing Sheets**



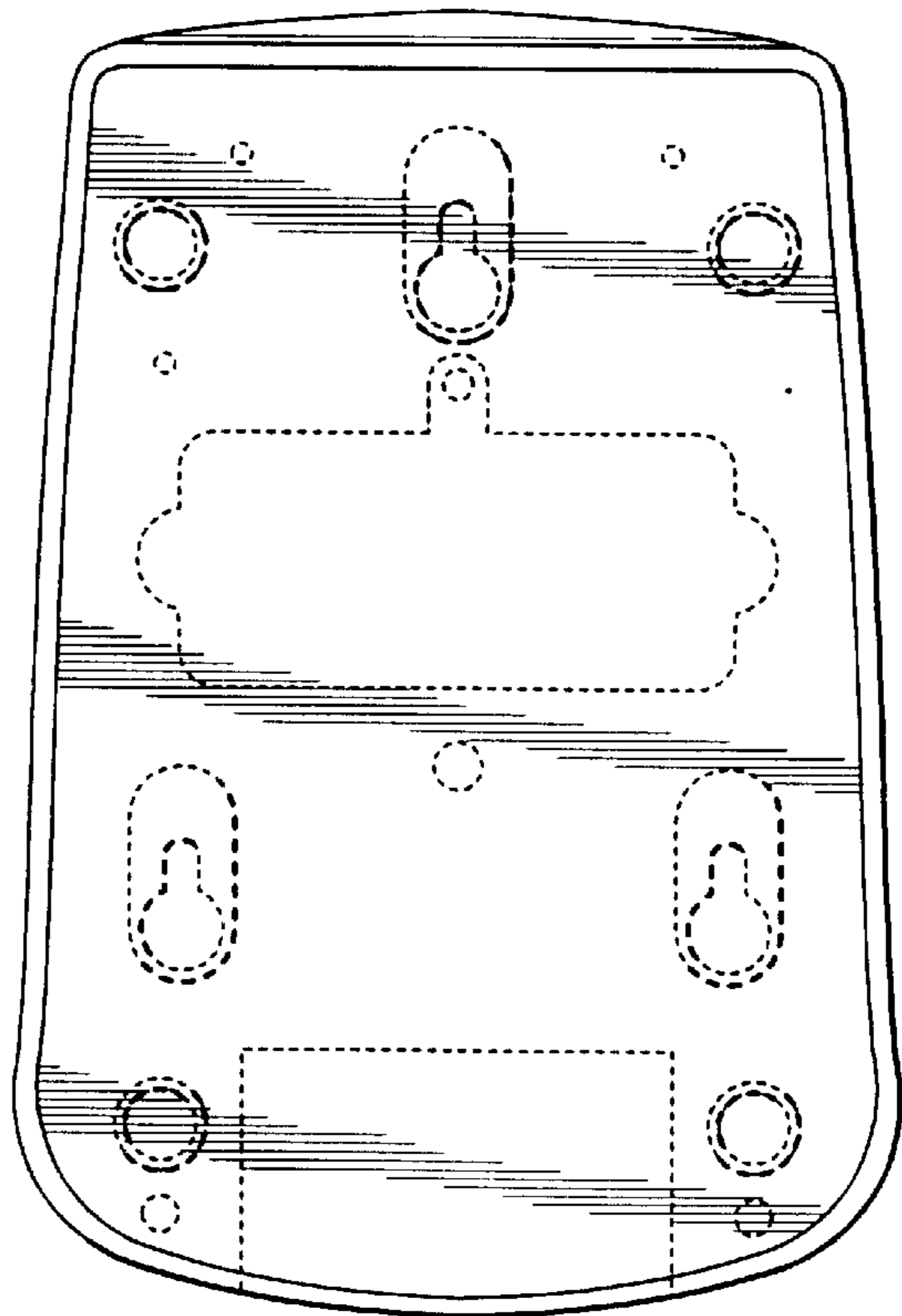


*Fig. 1*

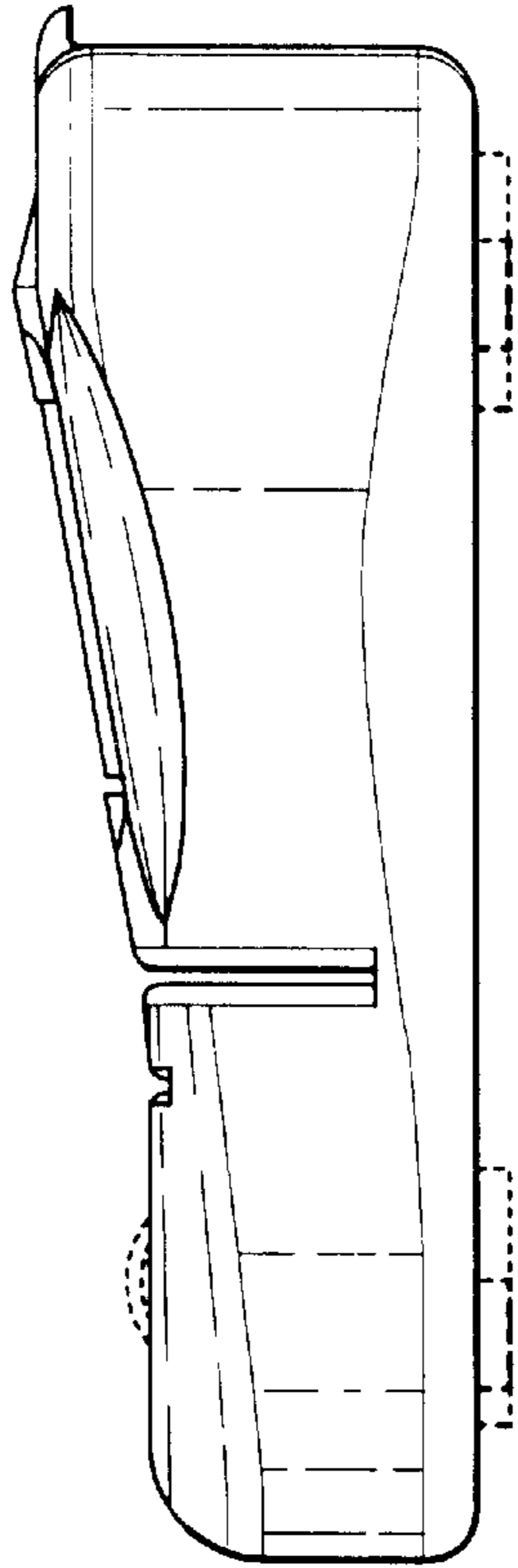
*Fig. 2*



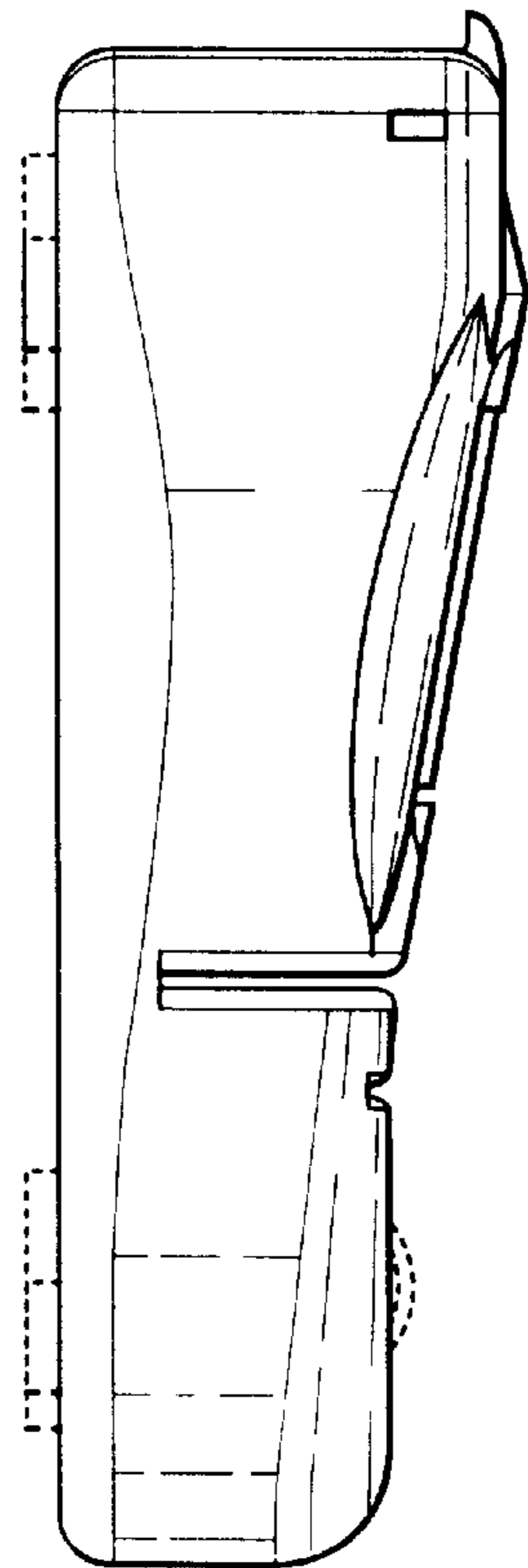
*Fig. 3*



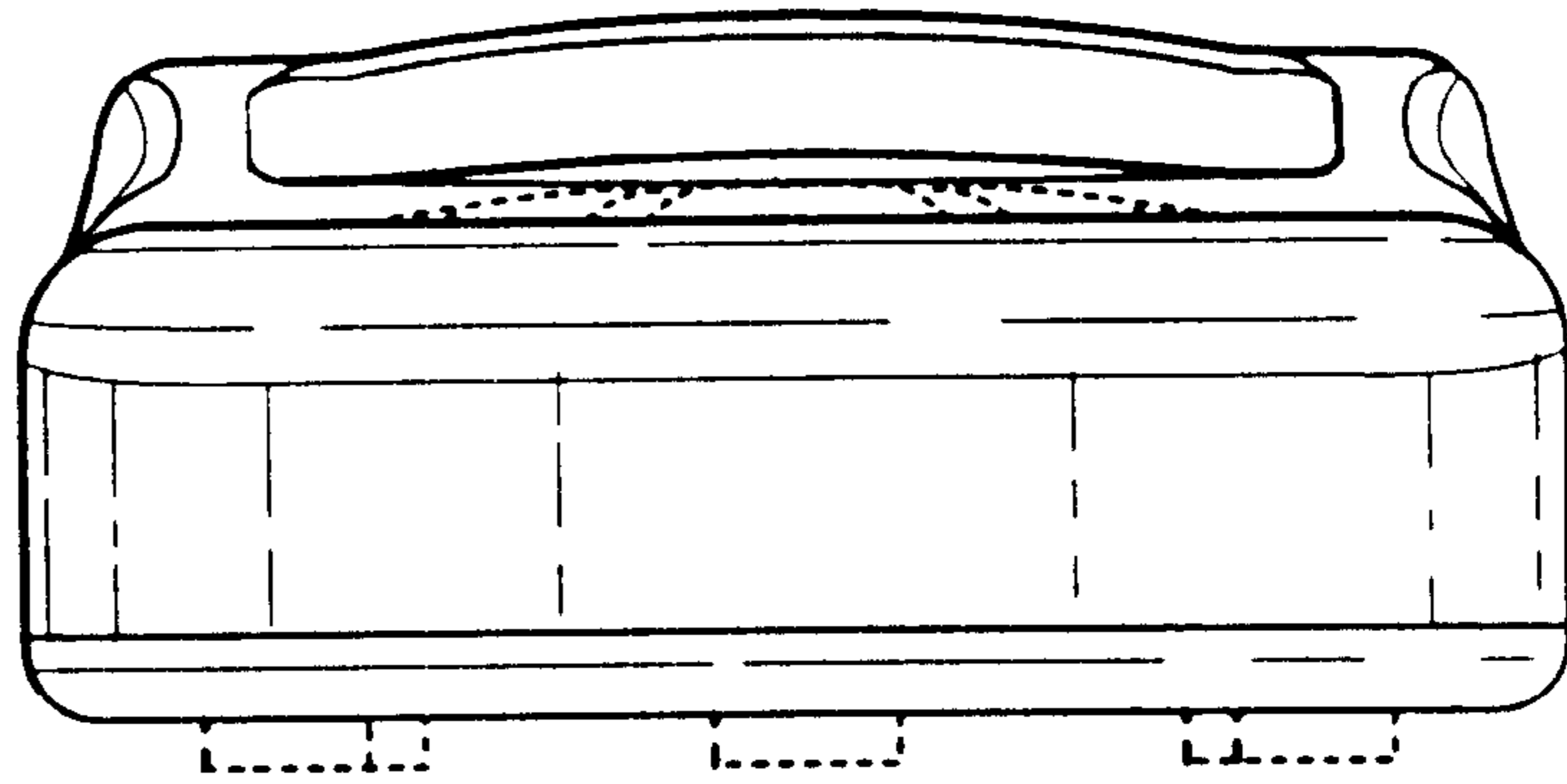
*Fig. 4*



*Fig. 5*



*Fig. 6*



*Fig. 7*

