



US00D477316S

(12) **United States Design Patent**
Ogasawara

(10) **Patent No.:** **US D477,316 S**

(45) **Date of Patent:** **** Jul. 15, 2003**

(54) **COMPUTER**

(75) Inventor: **Shinichi Ogasawara**, Tokyo (JP)

(73) Assignee: **Sony Corporation**, Tokyo (JP)

(**) Term: **14 Years**

(21) Appl. No.: **29/161,127**

(22) Filed: **May 24, 2002**

(51) **LOC (7) Cl.** **14-02**

(52) **U.S. Cl.** **D14/327**

(58) **Field of Search** D14/317-319,
D14/322, 323, 327; D18/1, 2, 7; 235/145 A,
145 R; 341/22, 23; 345/156, 168, 169,
172, 173; 349/12; 361/680-686

(56) **References Cited**

U.S. PATENT DOCUMENTS

D363,471 S	*	10/1995	Shima et al.	D14/317
D374,433 S	*	10/1996	Shima et al.	D14/317
D380,740 S	*	7/1997	Mieki et al.	D14/318
5,880,928 A	*	3/1999	Ma	361/683
D422,569 S	*	4/2000	Ogasawara	D14/323
D438,538 S		3/2001	Ogasawara	D14/317

OTHER PUBLICATIONS

Catalog "Sony, VAIO, Notebook computer [vaioC1] PCG-C1VRX/K•C1VR/BP", p. 7, Sony Corporation (Feb. 2001).

* cited by examiner

Primary Examiner—Freda Nunn

(74) *Attorney, Agent, or Firm*—Rader, Fishman & Grauer PLLC

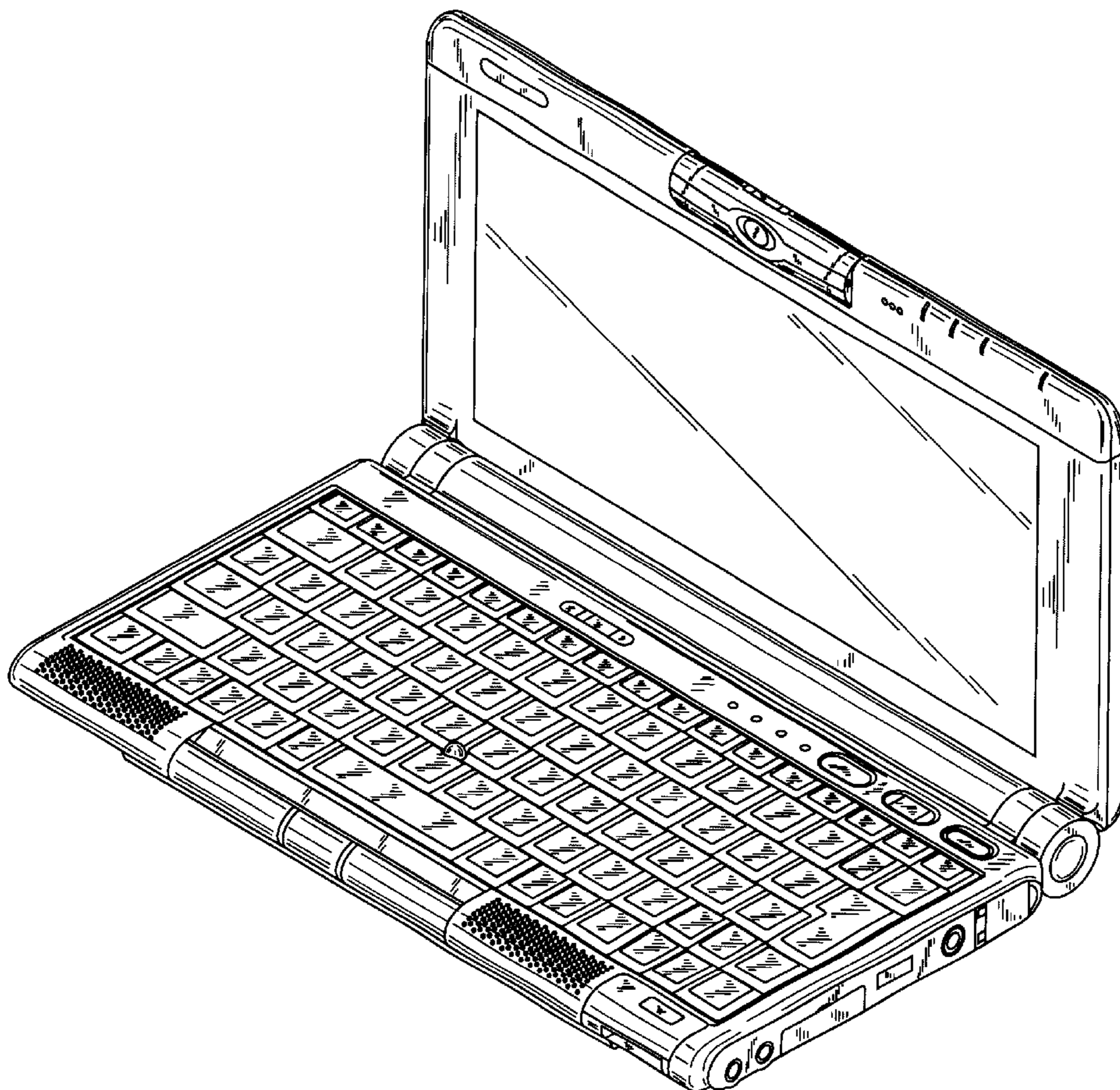
(57) **CLAIM**

The ornamental design for a computer, as shown.

DESCRIPTION

FIG. 1 is a perspective view of a computer showing my new design;
FIG. 2 is a front elevational view thereof;
FIG. 3 is a rear elevational view thereof;
FIG. 4 is a left side elevational view thereof;
FIG. 5 is a right side elevational view thereof;
FIG. 6 is a top plan view thereof; and,
FIG. 7 is a bottom plan view thereof.

1 Claim, 4 Drawing Sheets



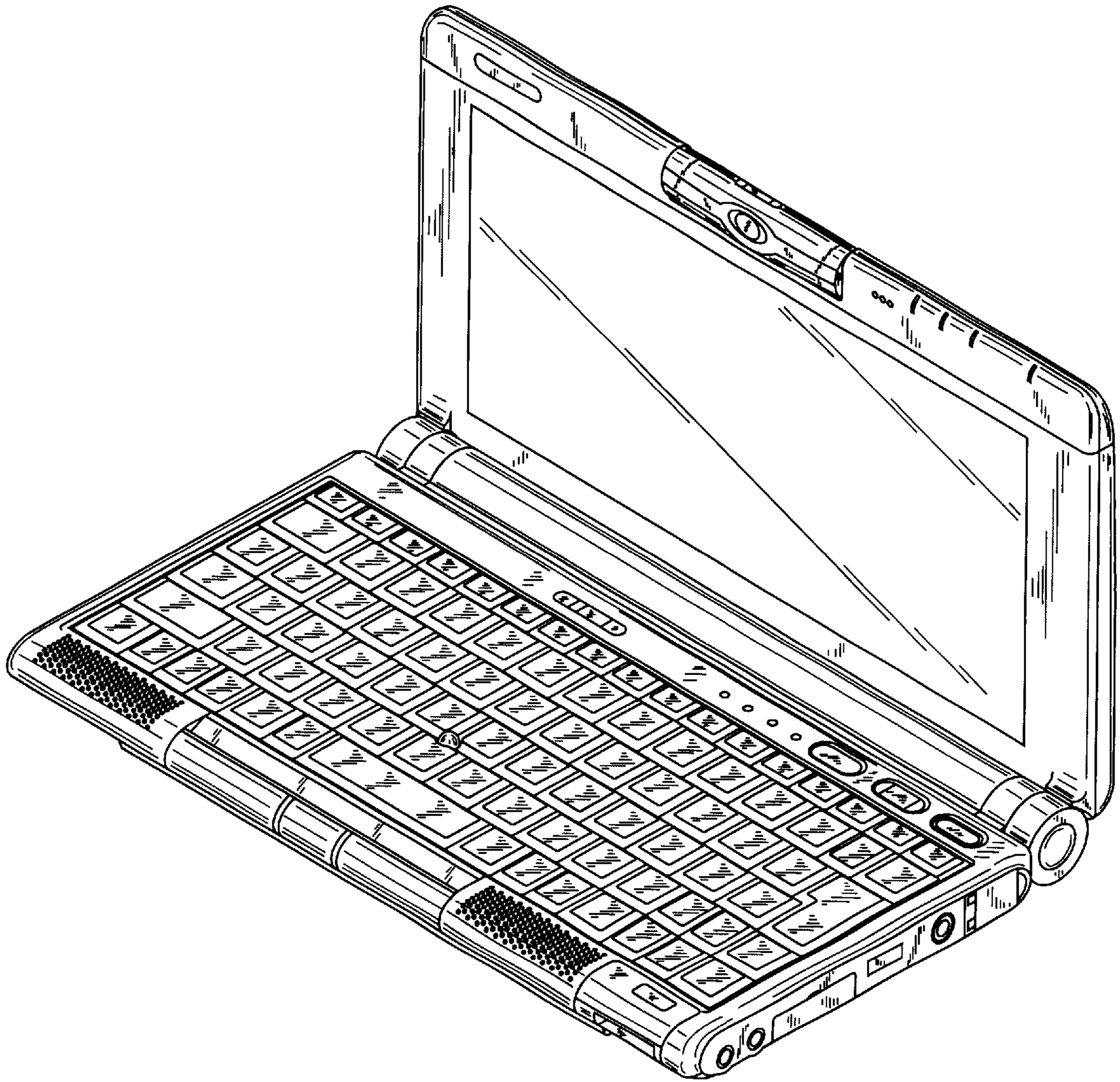


Fig. 1

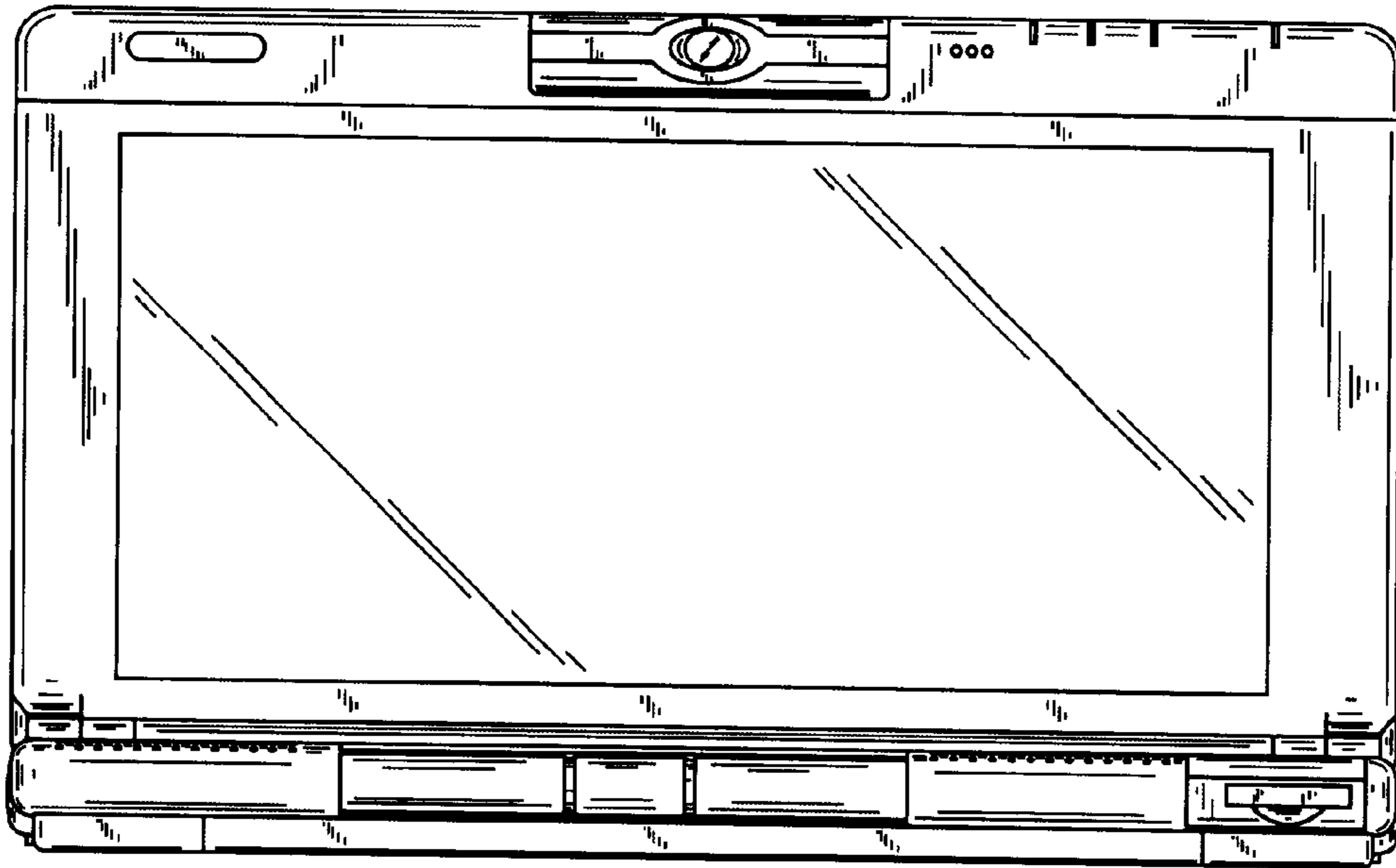


Fig. 2

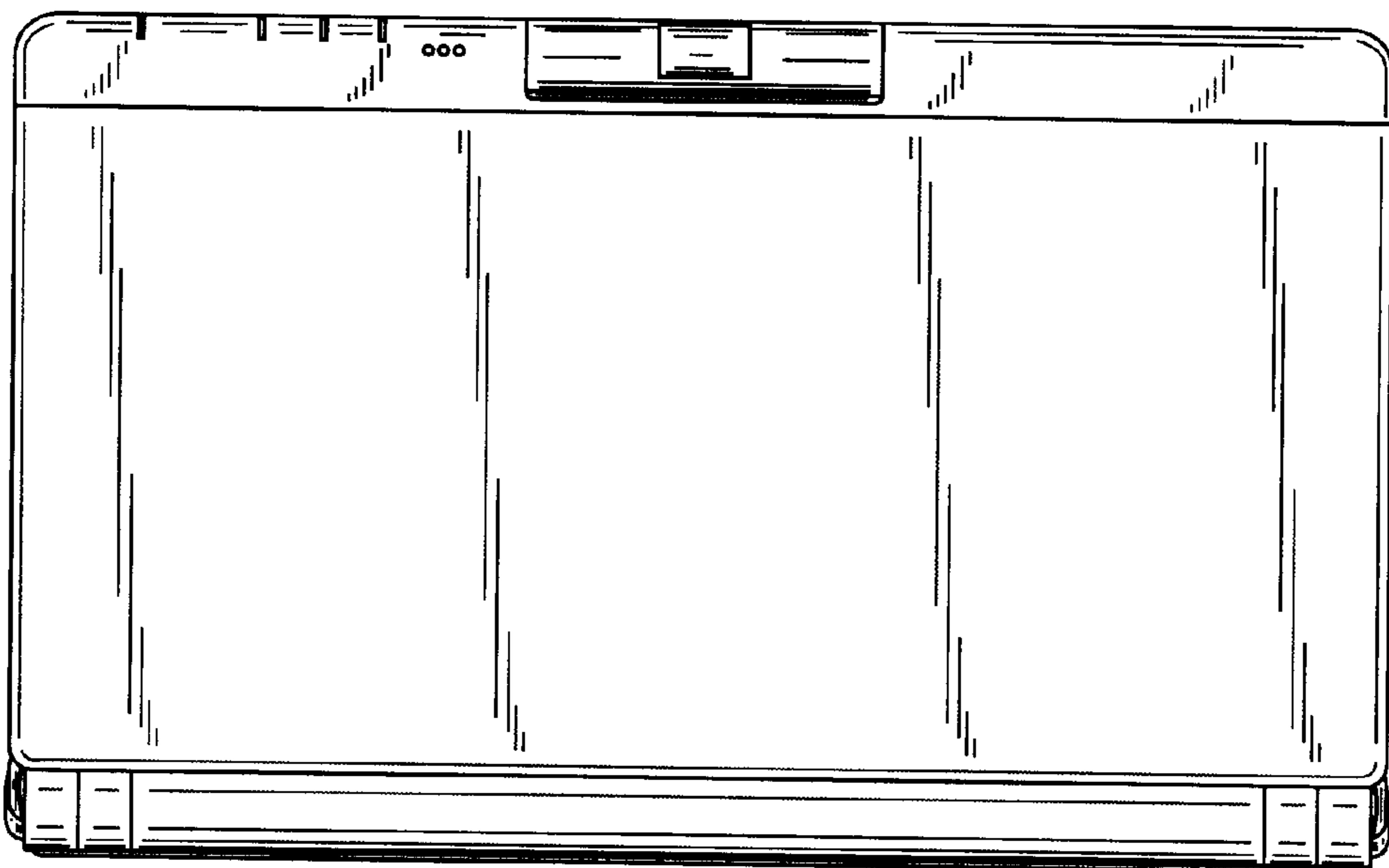


Fig. 3

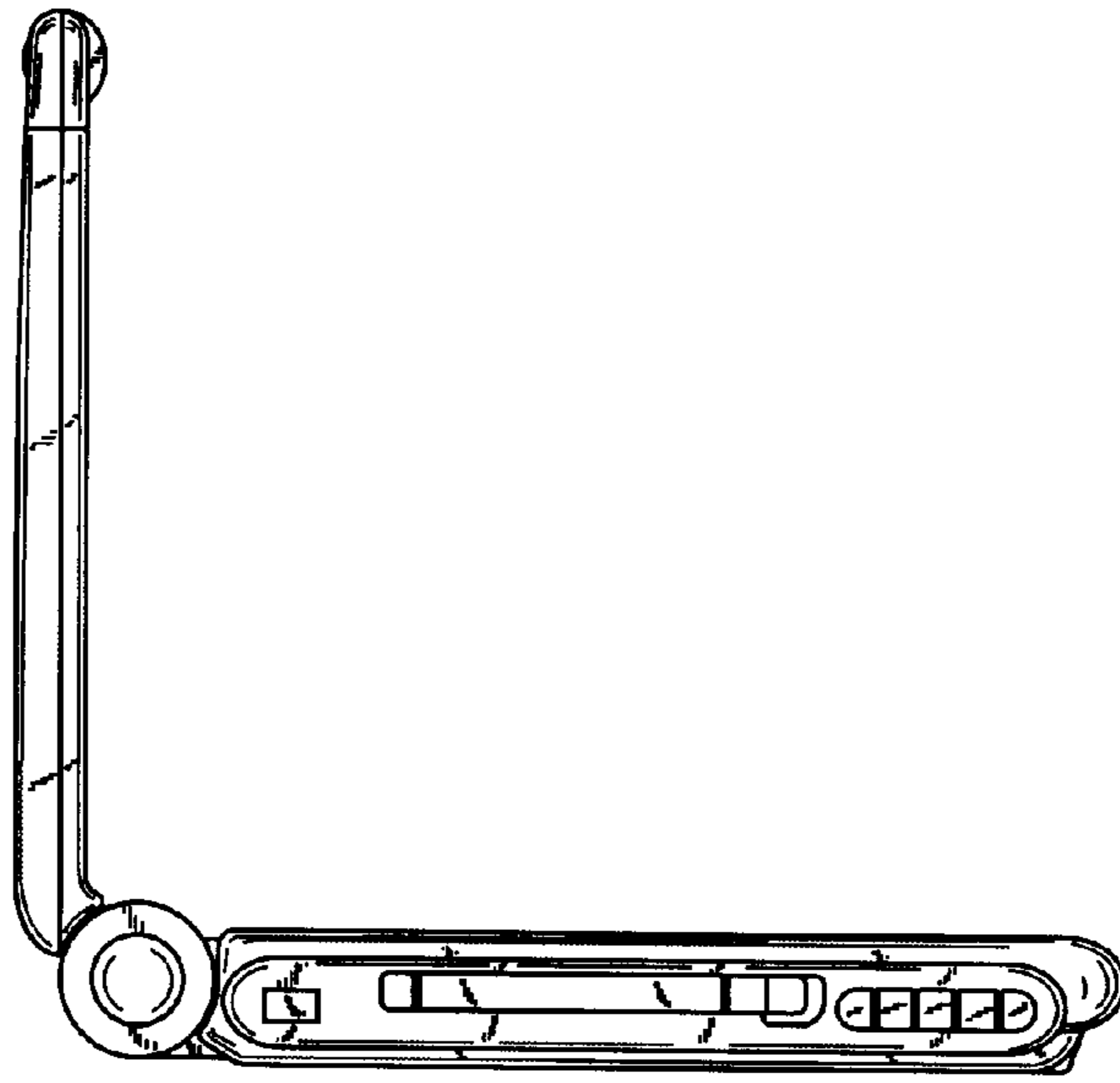


Fig. 4

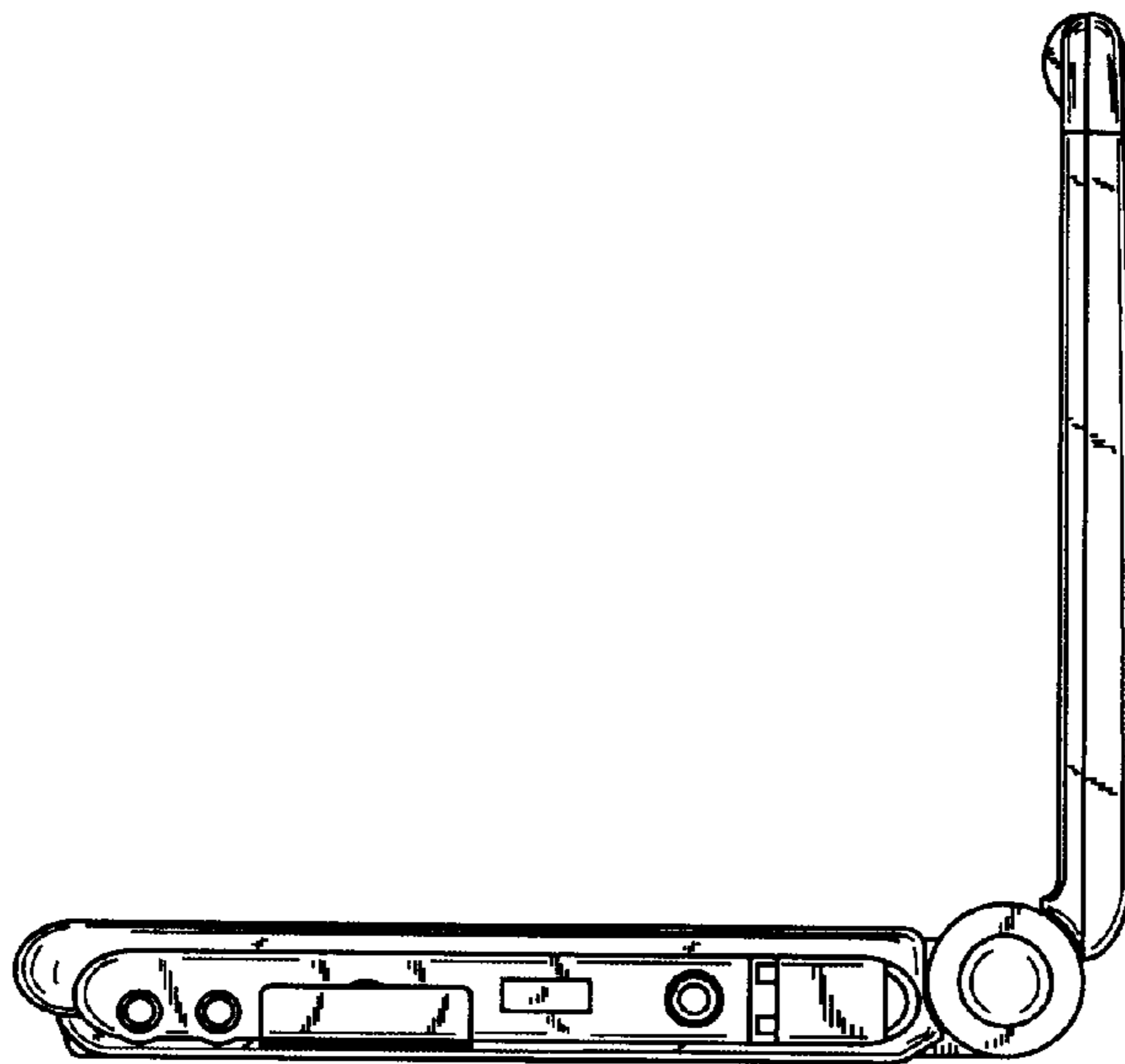


Fig. 5

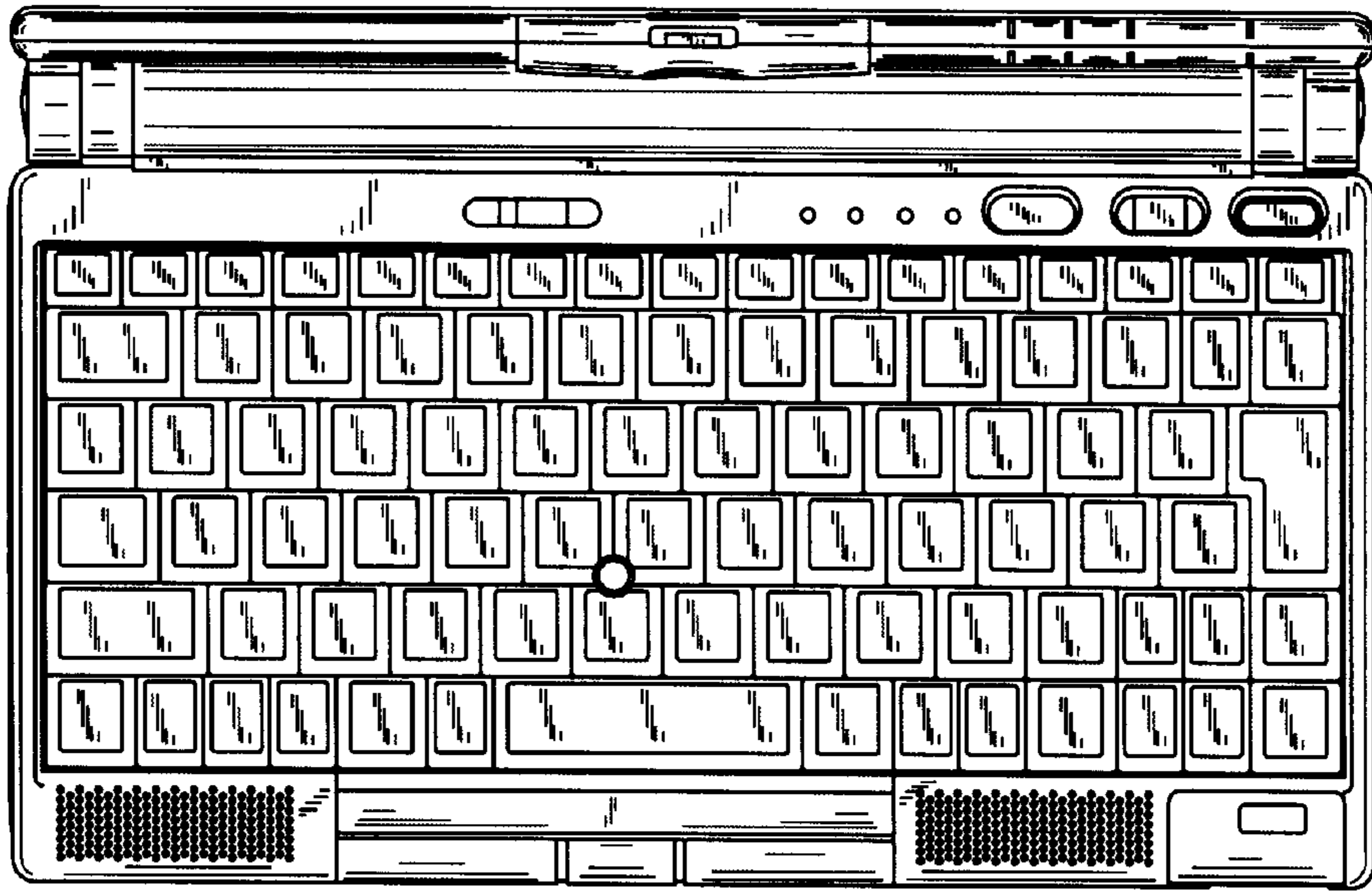


Fig. 6

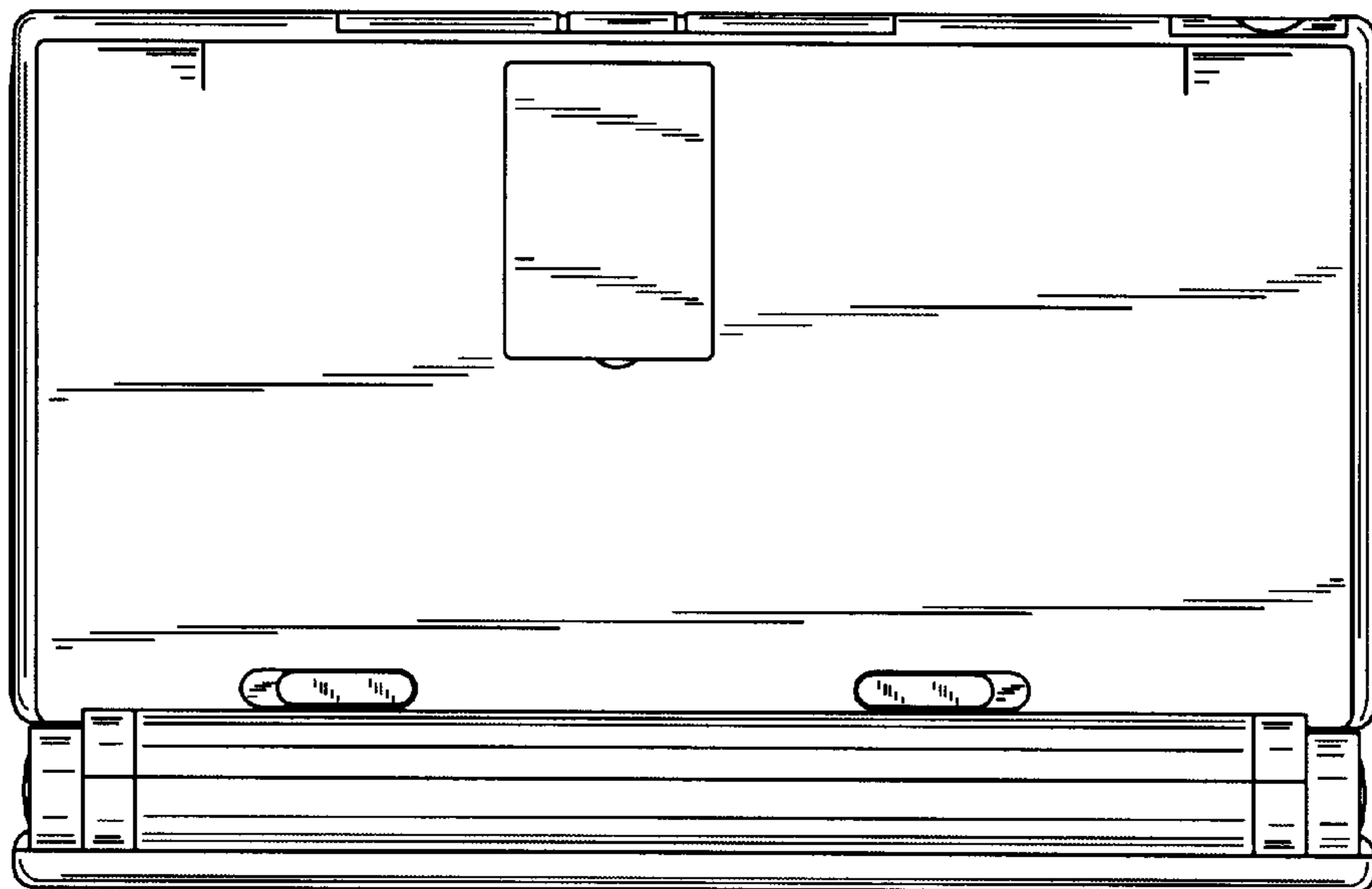


Fig. 7