



US00D477312S

(12) **United States Design Patent**
Dugas et al.

(10) **Patent No.: US D477,312 S**
(45) **Date of Patent: ** Jul. 15, 2003**

(54) **COMMUNICATION MODULE**

(75) Inventors: **Roger Dugas**, Chester, NH (US);
Richard Stack, Amherst, NH (US);
Keith Kang, Hollis, NH (US); **Mark Czoschke**, Bedford, NH (US); **John Trezza**, Nashua, NH (US)

(73) Assignee: **Xanoptix, Inc.**, Merrimack, NH (US)

(**) Term: **14 Years**

(21) Appl. No.: **29/157,424**

(22) Filed: **Mar. 18, 2002**

(51) **LOC (7) Cl.** **14-03**

(52) **U.S. Cl.** **D14/240**

(58) **Field of Search** D14/133, 240-256,
D14/433, 438, 356, 357; D13/152, 160,
161, 164, 173, 178; 439/610, 922, 954,
620; 361/681-686, 679

(56) **References Cited**

U.S. PATENT DOCUMENTS

5,035,652 A * 7/1991 Shibano 439/610

(List continued on next page.)

Primary Examiner—Charles Rademaker

(74) *Attorney, Agent, or Firm*—Morgan & Finnegan, LLP

(57) **CLAIM**

We claim the ornamental design for a communication module, as shown and described.

DESCRIPTION

FIG. 1 is a perspective view illustrating the top, front and right side of a design for a communication module;

FIG. 2 is a perspective view illustrating the bottom, front and right side of a design for the communication module illustrated in FIG. 1;

FIG. 3 is a top plan view thereof;

FIG. 4 is a front elevational view thereof;

FIG. 5 is a right side elevational view thereof;

FIG. 6 is a left side elevational view thereof;

FIG. 7 is a rear elevational view thereof;

FIG. 8 is a bottom plan view thereof;

FIG. 9 is a perspective view illustrating the top, front and right side of another embodiment of the design for the communication module;

FIG. 10 is a perspective view illustrating the bottom, front and right side of a design for the communication module illustrated in FIG. 9;

FIG. 11 is a top plan view thereof;

FIG. 12 is a right side elevational view thereof;

FIG. 13 is a left side elevational view thereof;

FIG. 14 is a bottom plan view thereof;

FIG. 15 is a perspective view illustrating the top, front and right side of yet another embodiment of the design for the communication module;

FIG. 16 is a perspective view illustrating the bottom, front and right side of the design for the communication module illustrated in FIG. 15;

FIG. 17 is a top plan view thereof;

FIG. 18 is a right side elevational view thereof;

FIG. 19 is a left side elevational view thereof;

FIG. 20 is a bottom plan view thereof;

FIG. 21 is a perspective view illustrating the top, front and right side of further embodiment of the design for the communication module;

FIG. 22 is a top plan view of the design for the communication module illustrated in FIG. 21;

FIG. 23 is a right side elevational view thereof;

FIG. 24 is a left side elevational view thereof;

FIG. 25 is a rear elevational view thereof;

FIG. 26 is a perspective view illustrating the top, front and right side of yet a further embodiment of the design for the communication module;

FIG. 27 is a top plan view of the design for the communication module illustrated in FIG. 21;

FIG. 28 is a right side elevational view thereof;

FIG. 29 is a left side elevational view thereof;

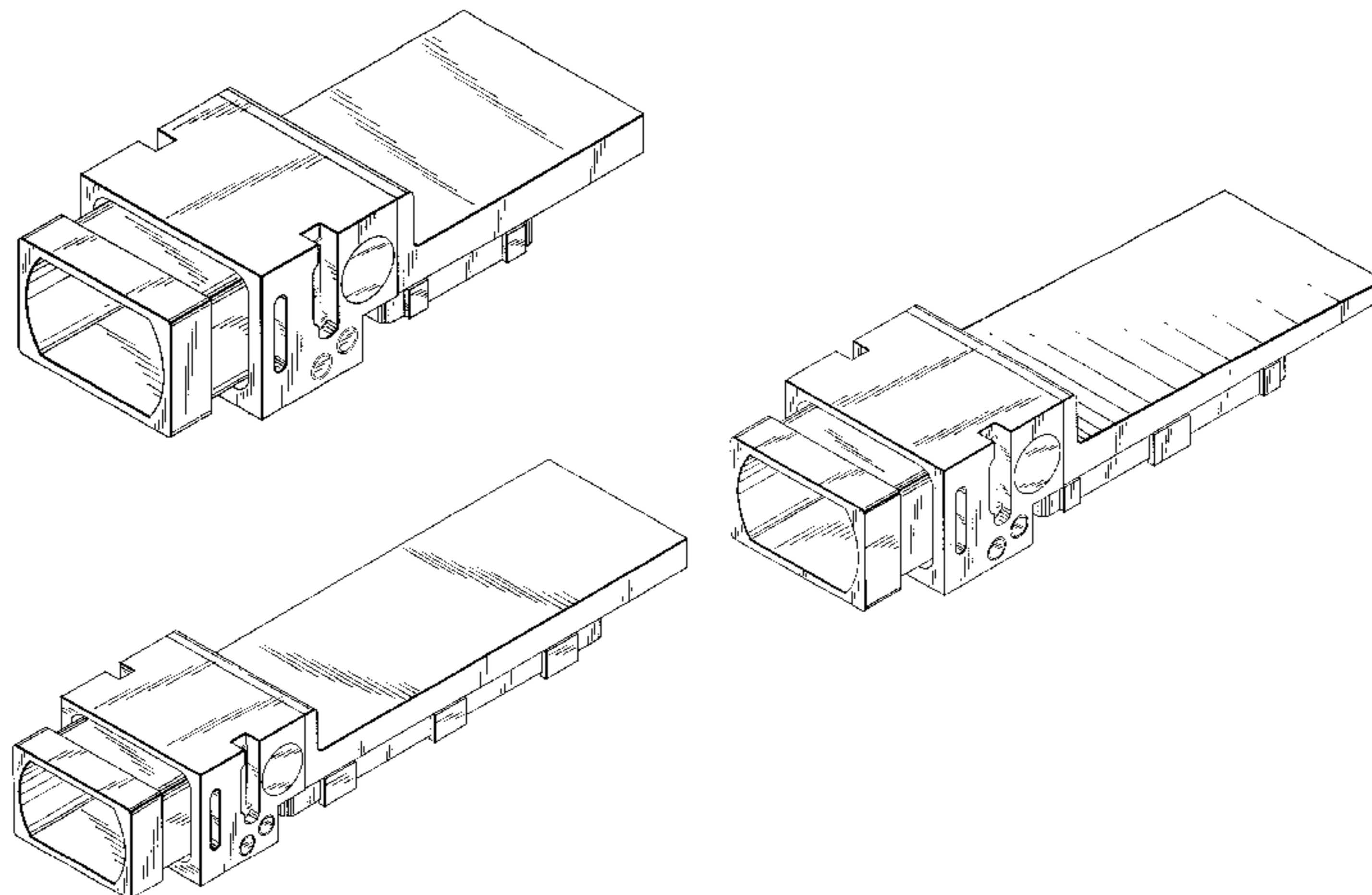
FIG. 30 is a perspective view illustrating the top, front and right side of another further embodiment of the design for the communication module;

FIG. 31 is a top plan view of the design for the communication module illustrated in FIG. 30;

FIG. 32 is a right side elevational view thereof; and,

FIG. 33 is a left side elevational view thereof.

1 Claim, 21 Drawing Sheets



US D477,312 S

Page 2

U.S. PATENT DOCUMENTS

D362,250 S	*	9/1995	Harding et al.	D14/242	D465,495 S	*	11/2002	Goto	D14/433
D374,663 S	*	10/1996	Rodrigues et al.	D14/433	D468,312 S	*	1/2003	Huang et al.	D14/433
6,234,842 B1	*	5/2001	Keay et al.	439/620	6,533,615 B2	*	3/2003	Koide et al.	439/610
D449,300 S	*	10/2001	Bentz et al.	D14/357					

* cited by examiner

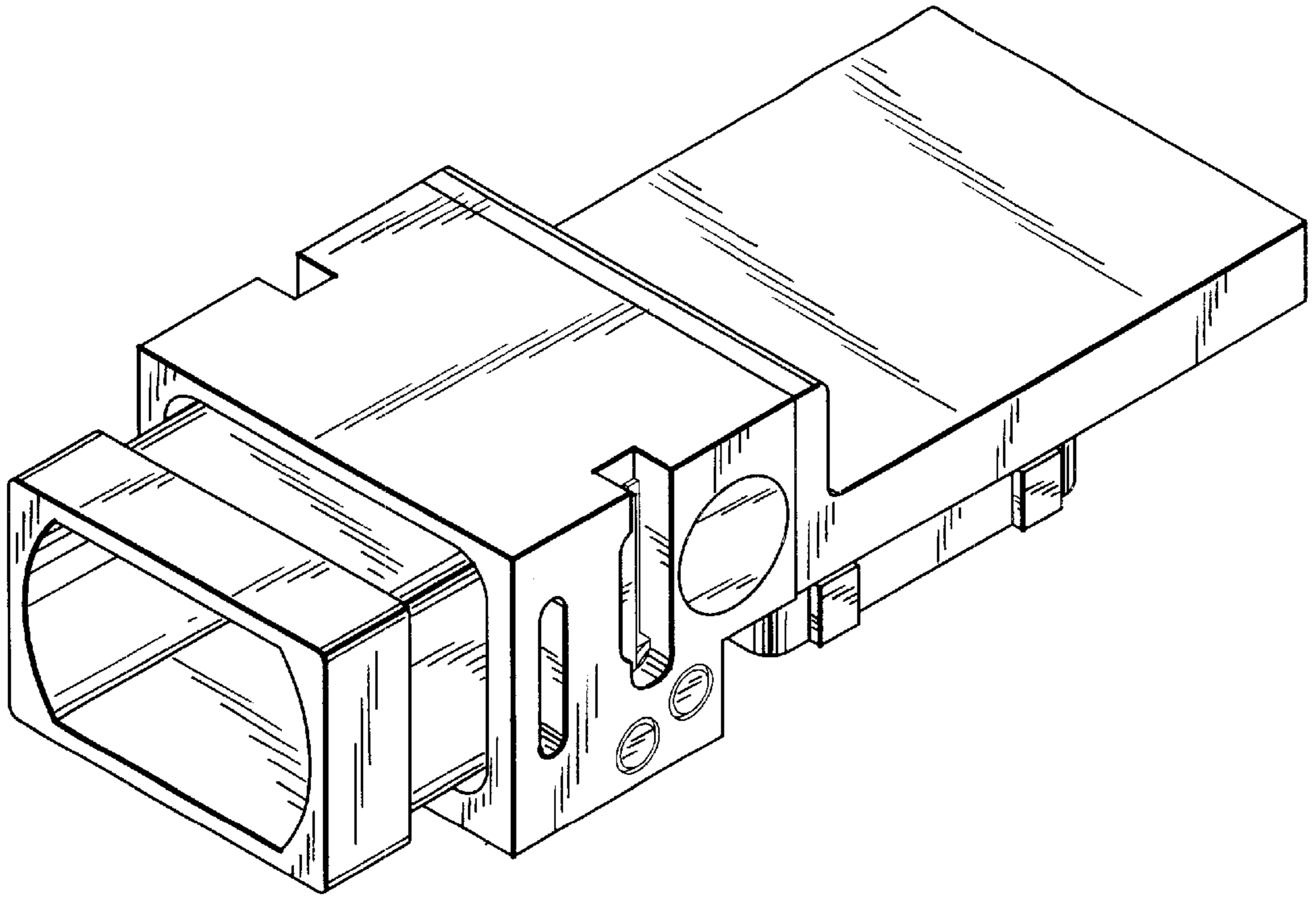


FIG. 1

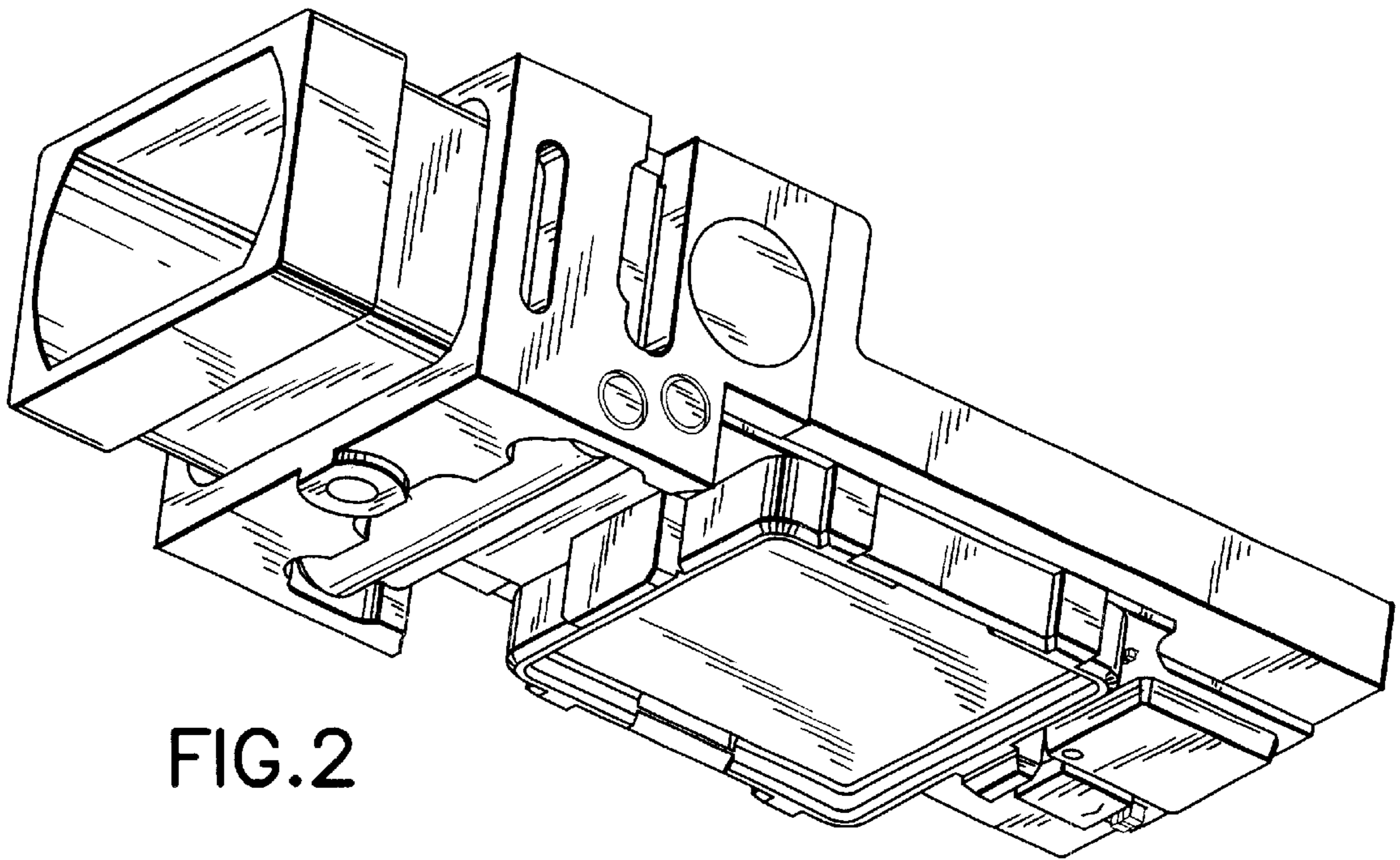


FIG. 2

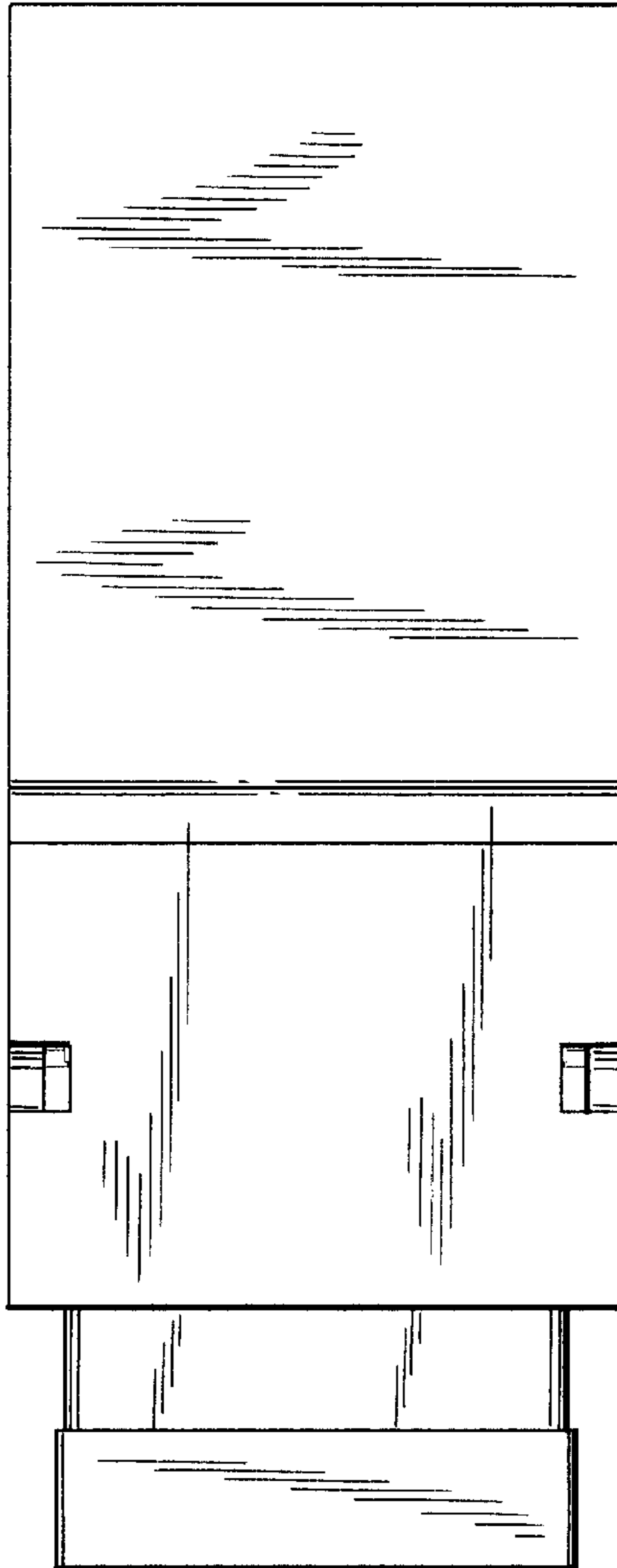


FIG. 3

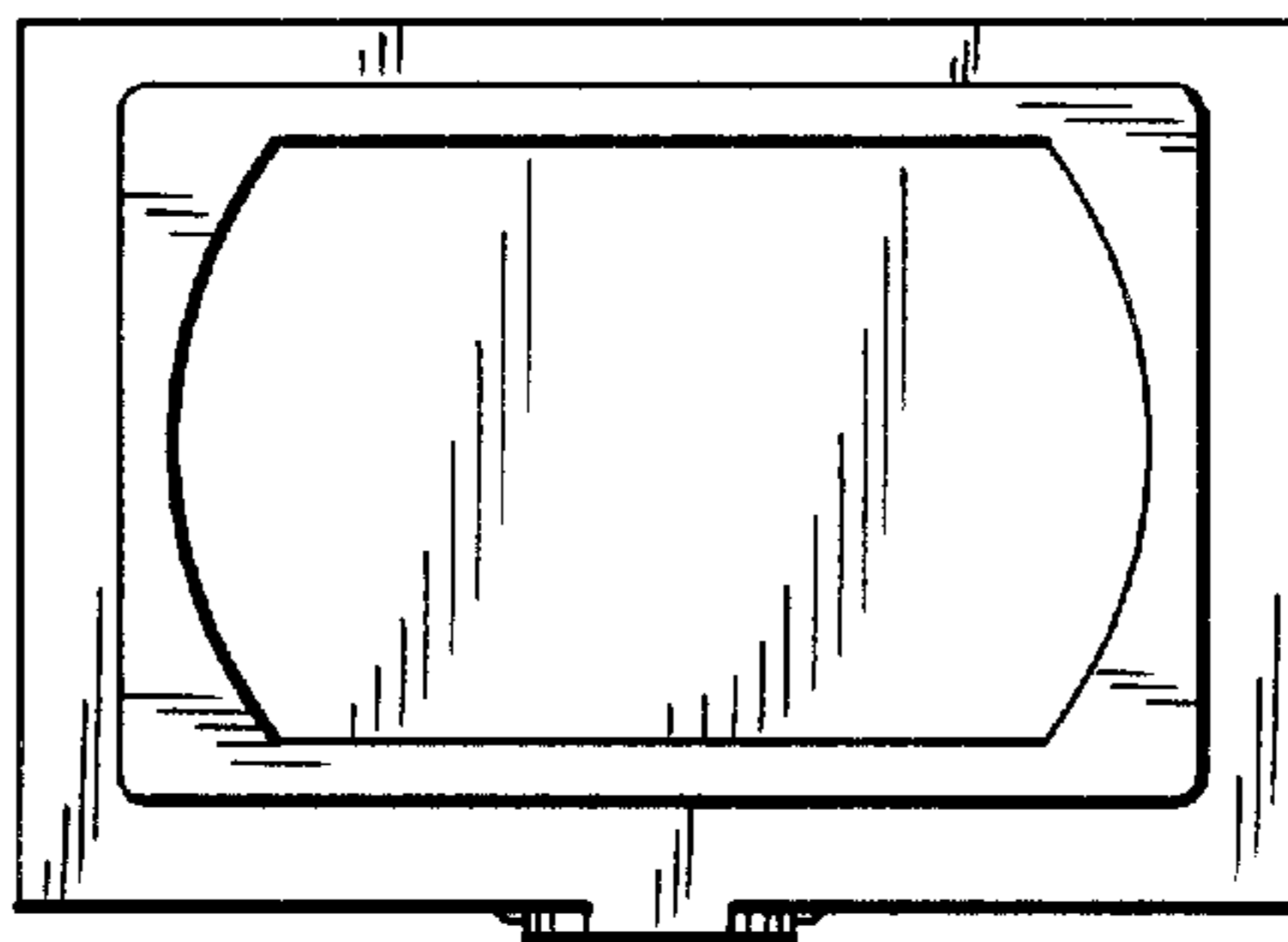


FIG. 4

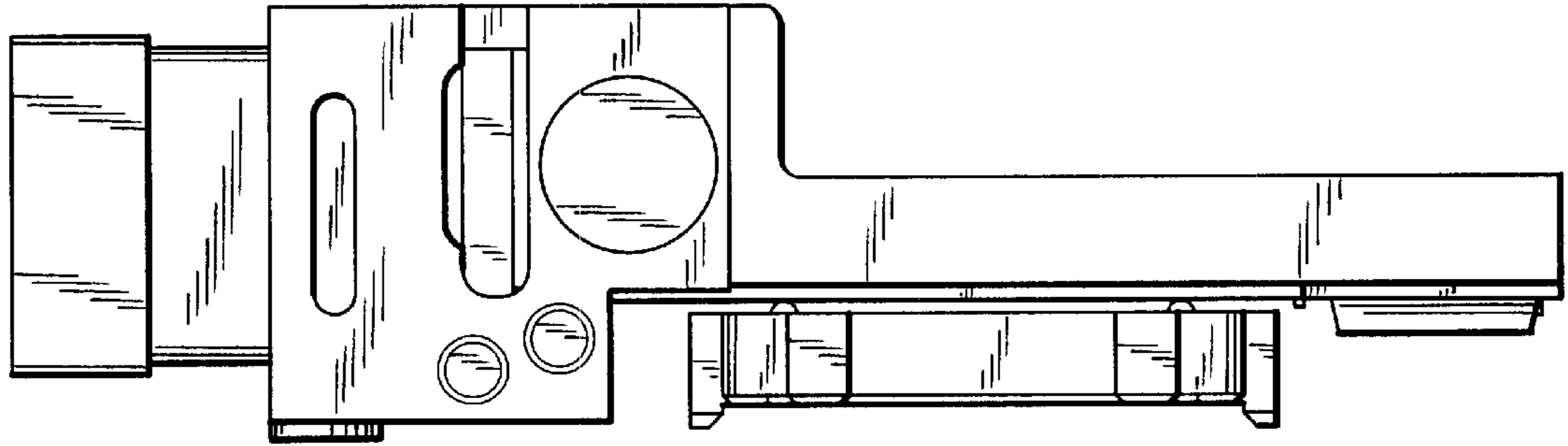


FIG. 5

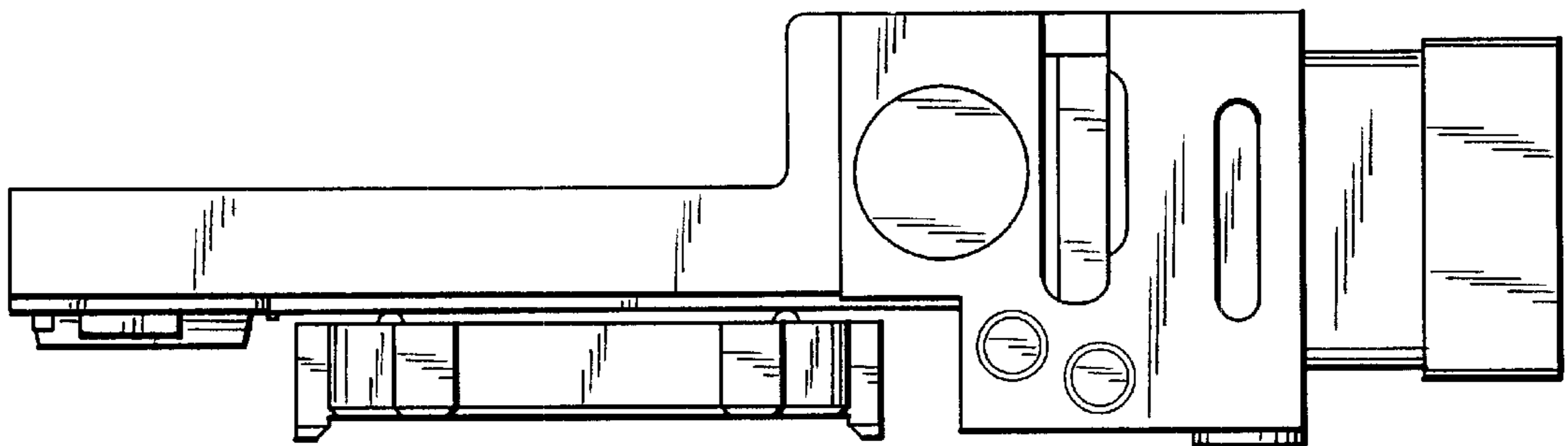


FIG. 6

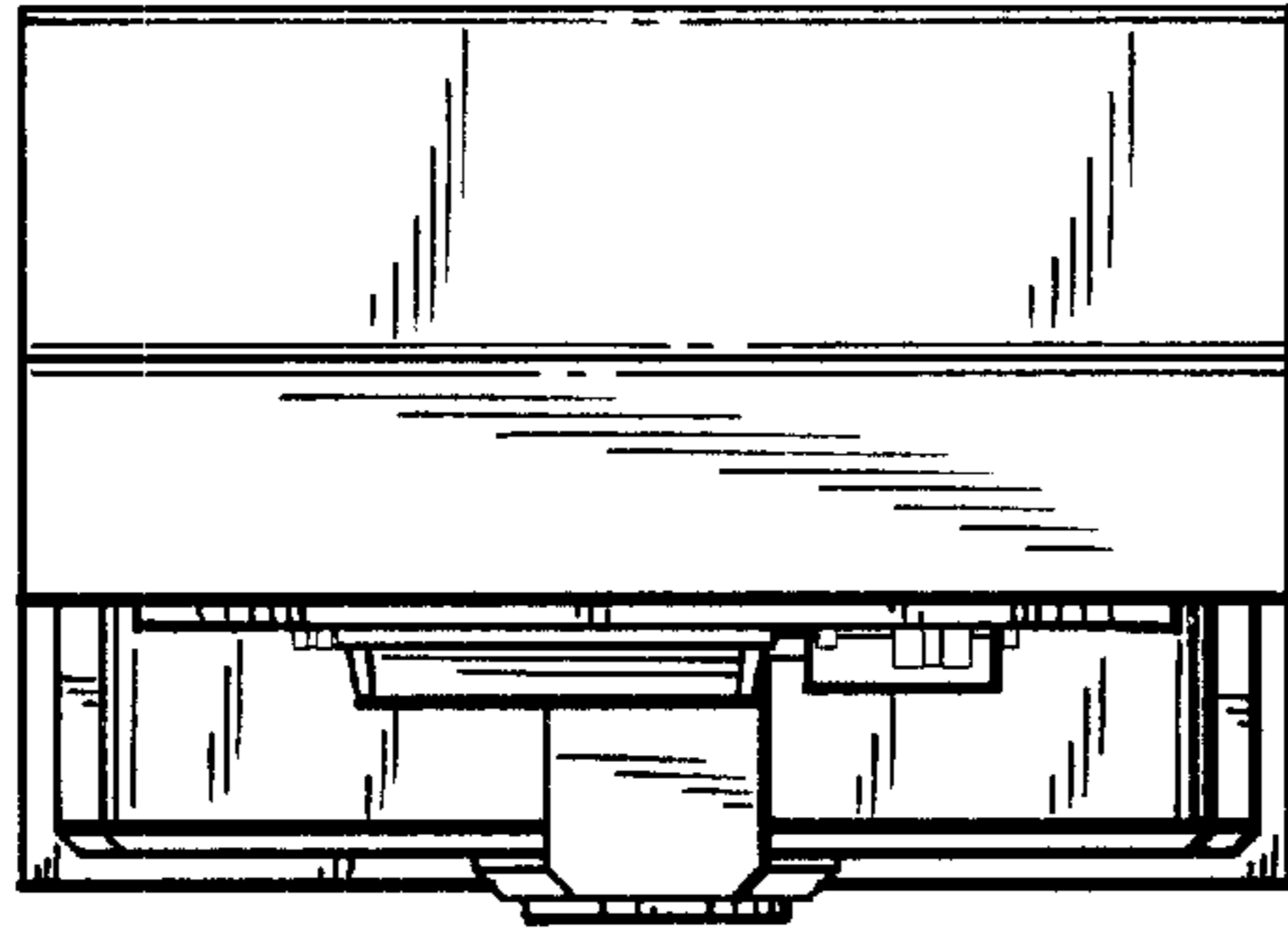


FIG. 7

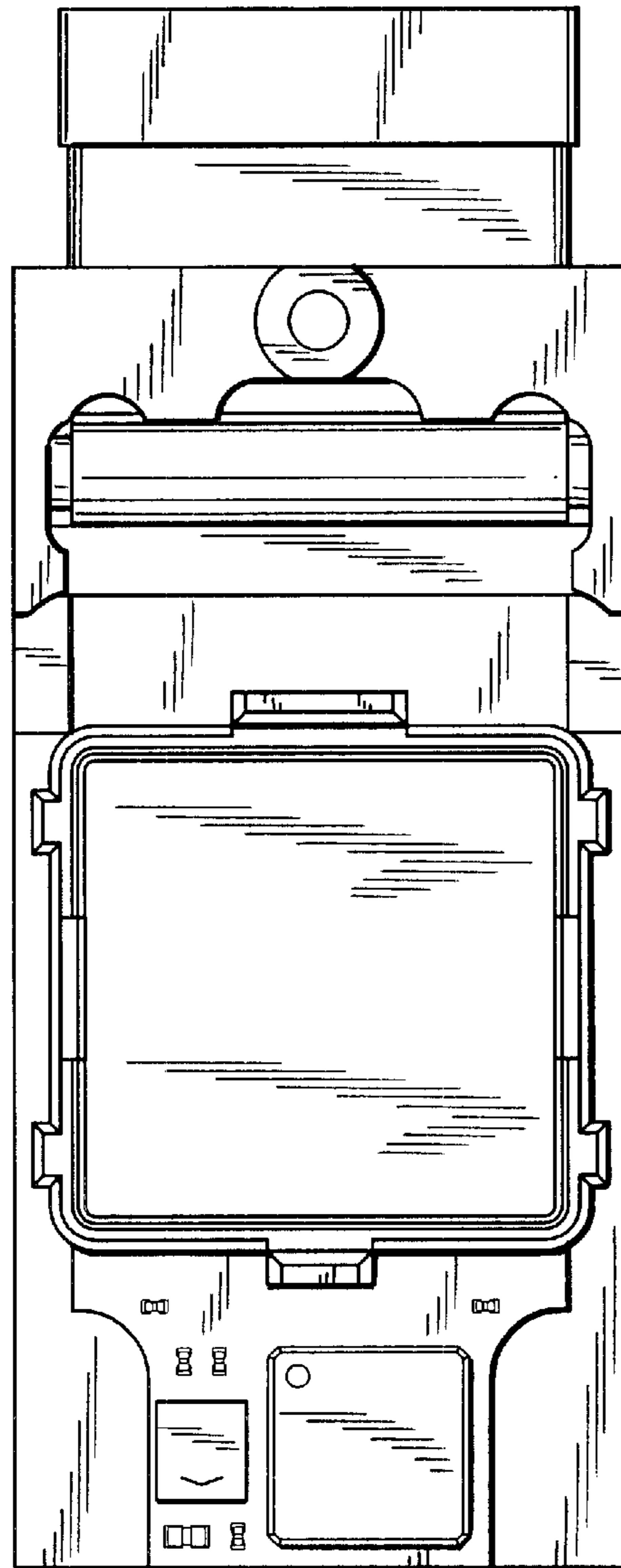


FIG. 8

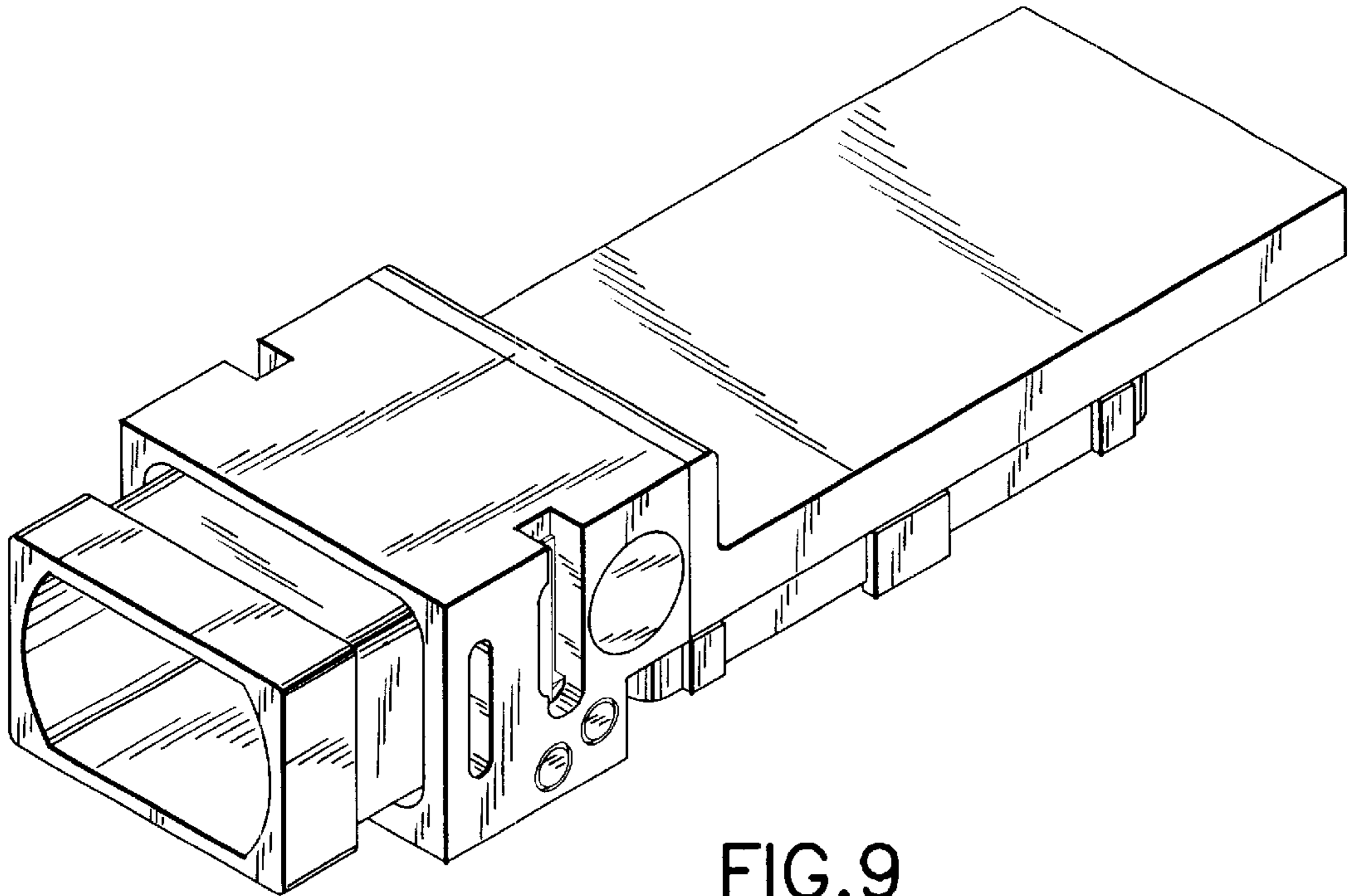


FIG. 9

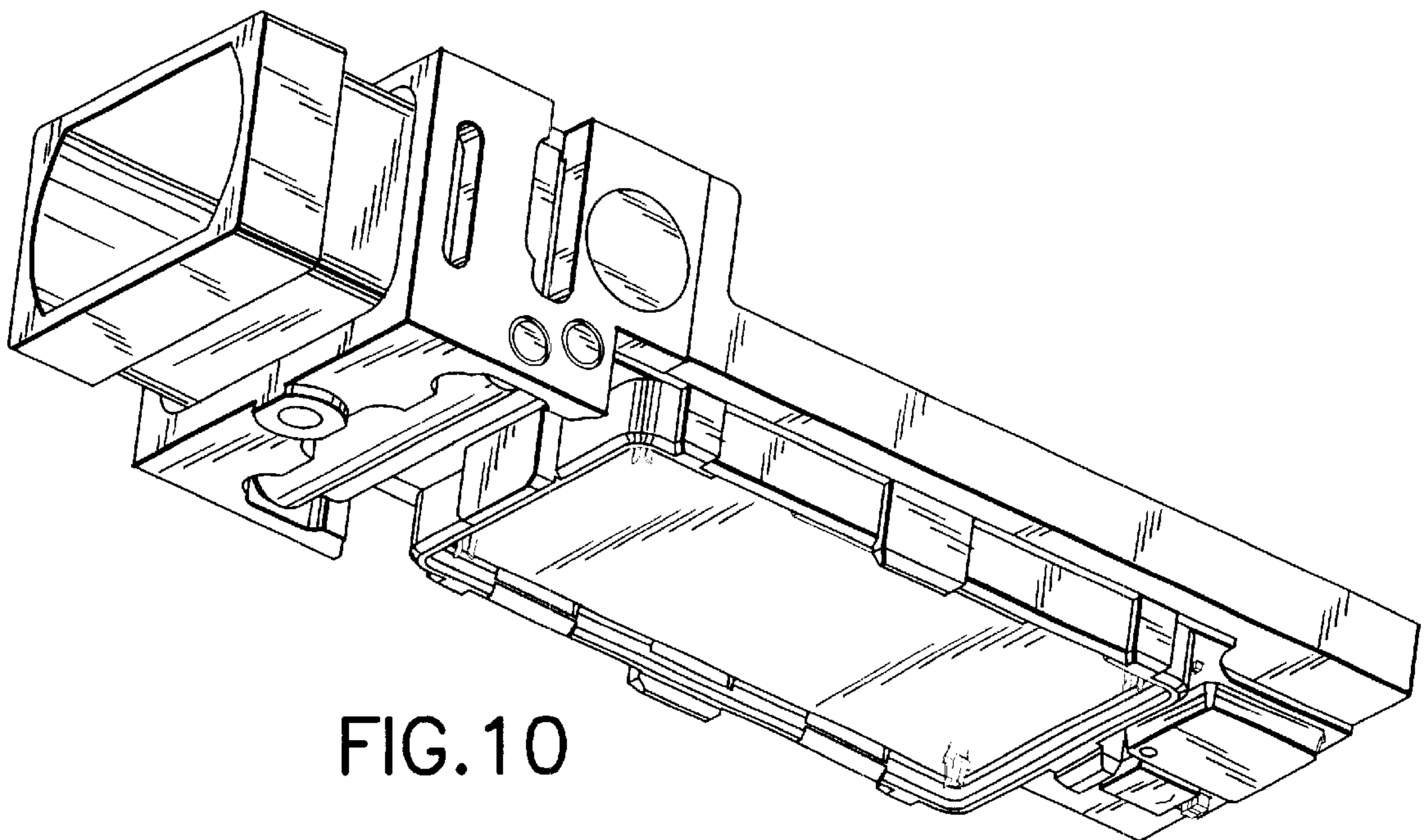


FIG. 10

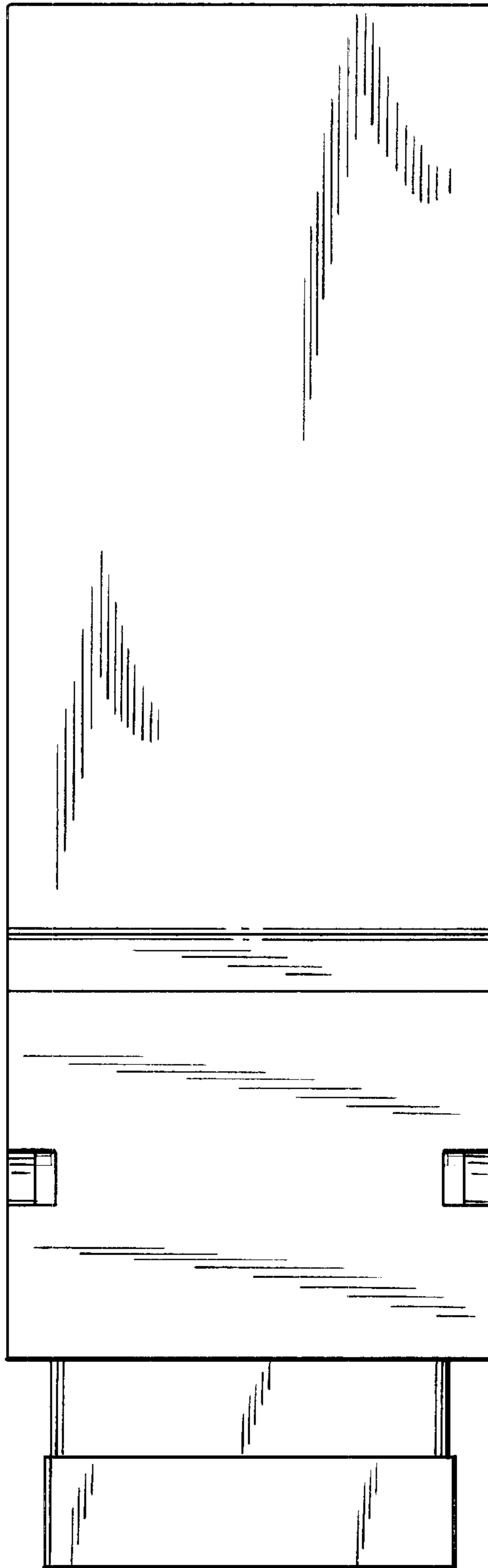


FIG. 11

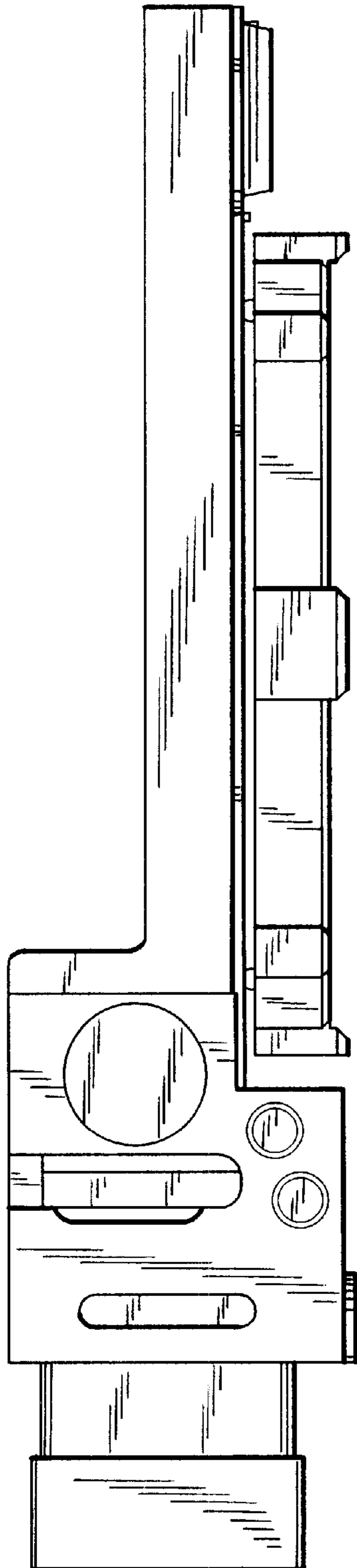


FIG. 12

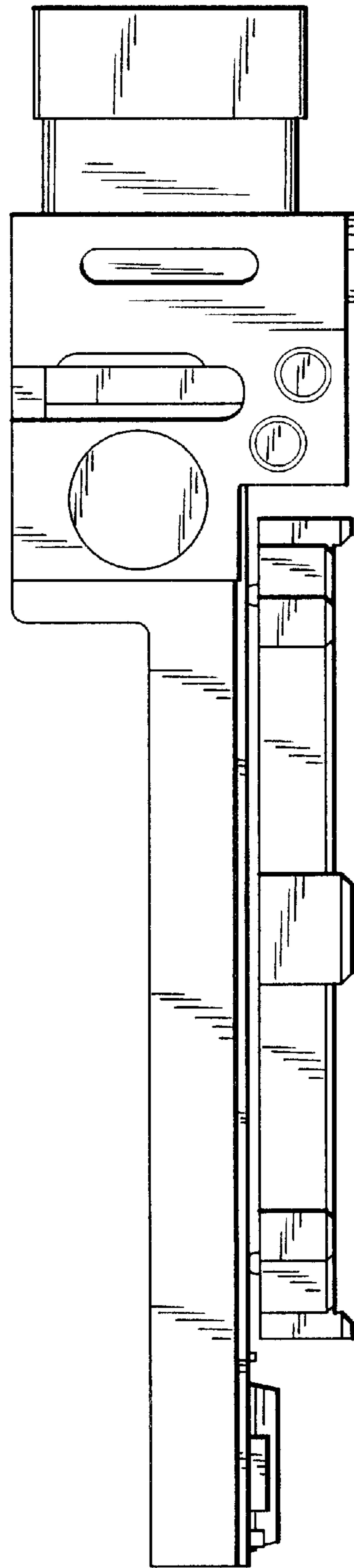


FIG. 13

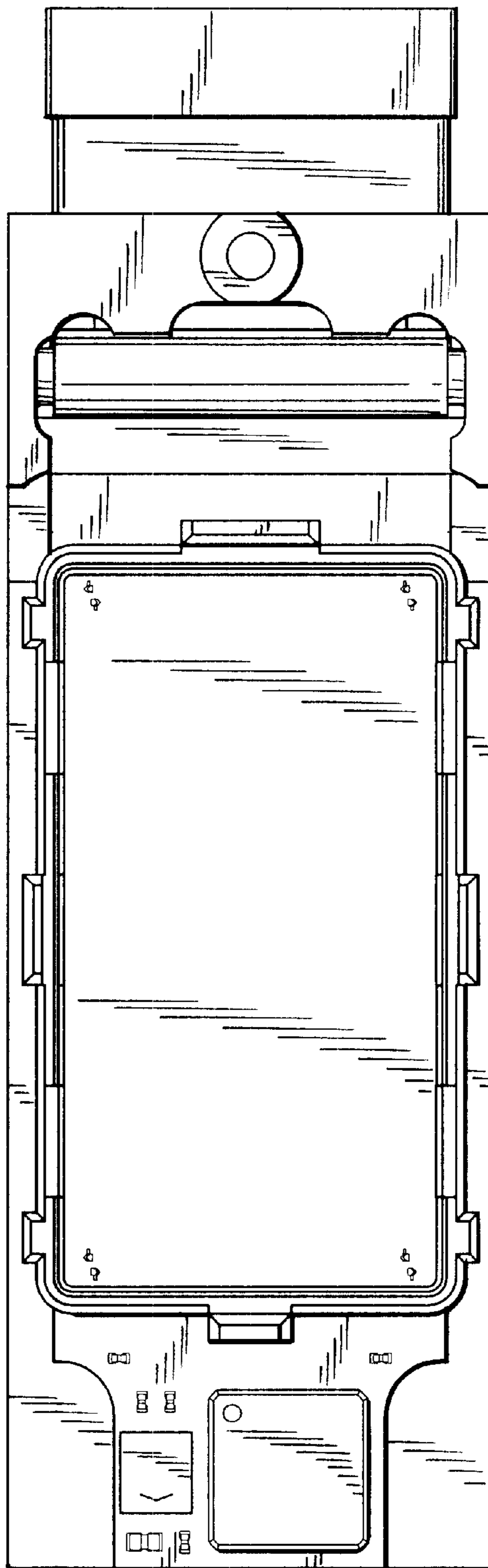


FIG. 14

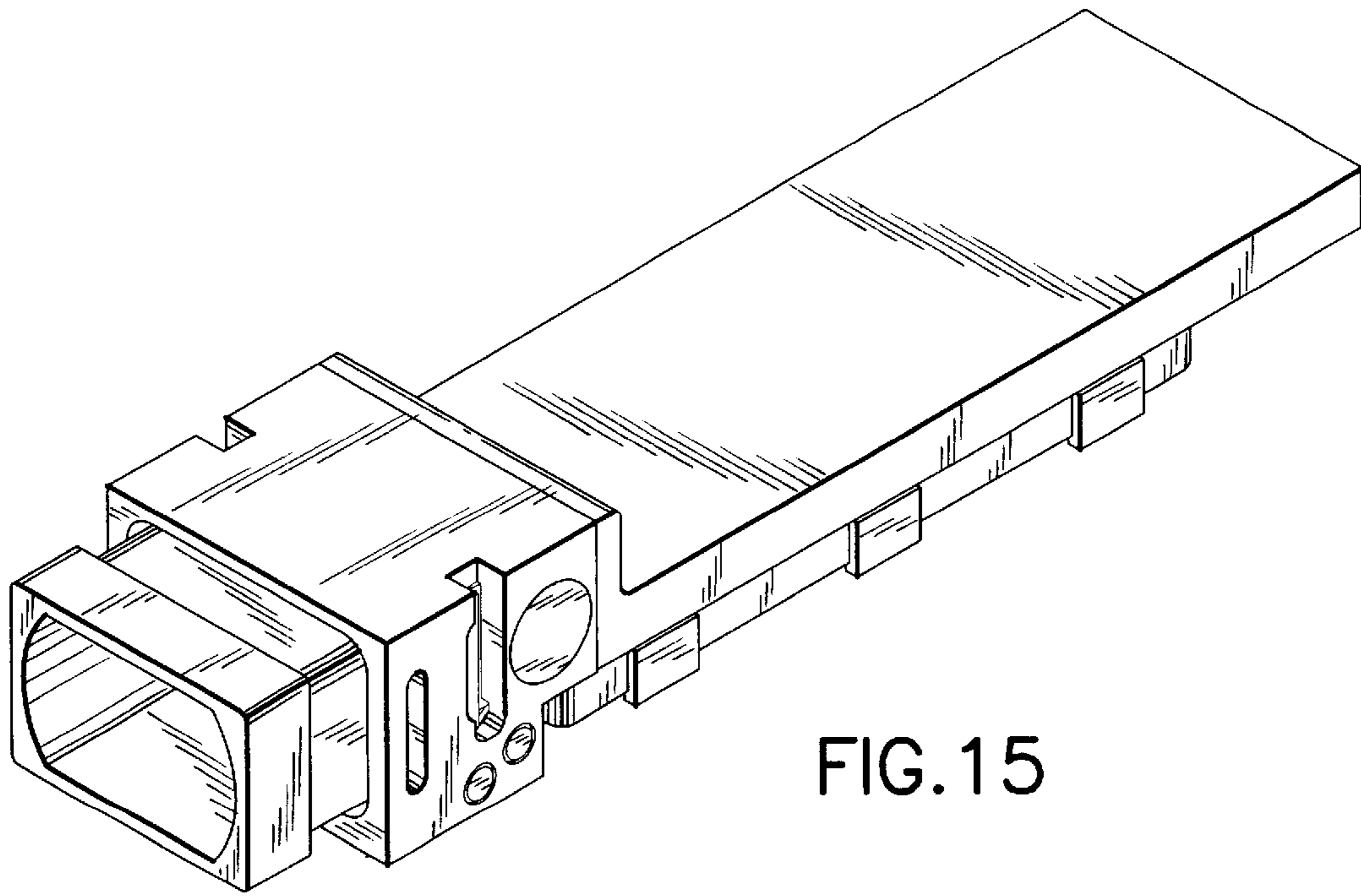


FIG.15

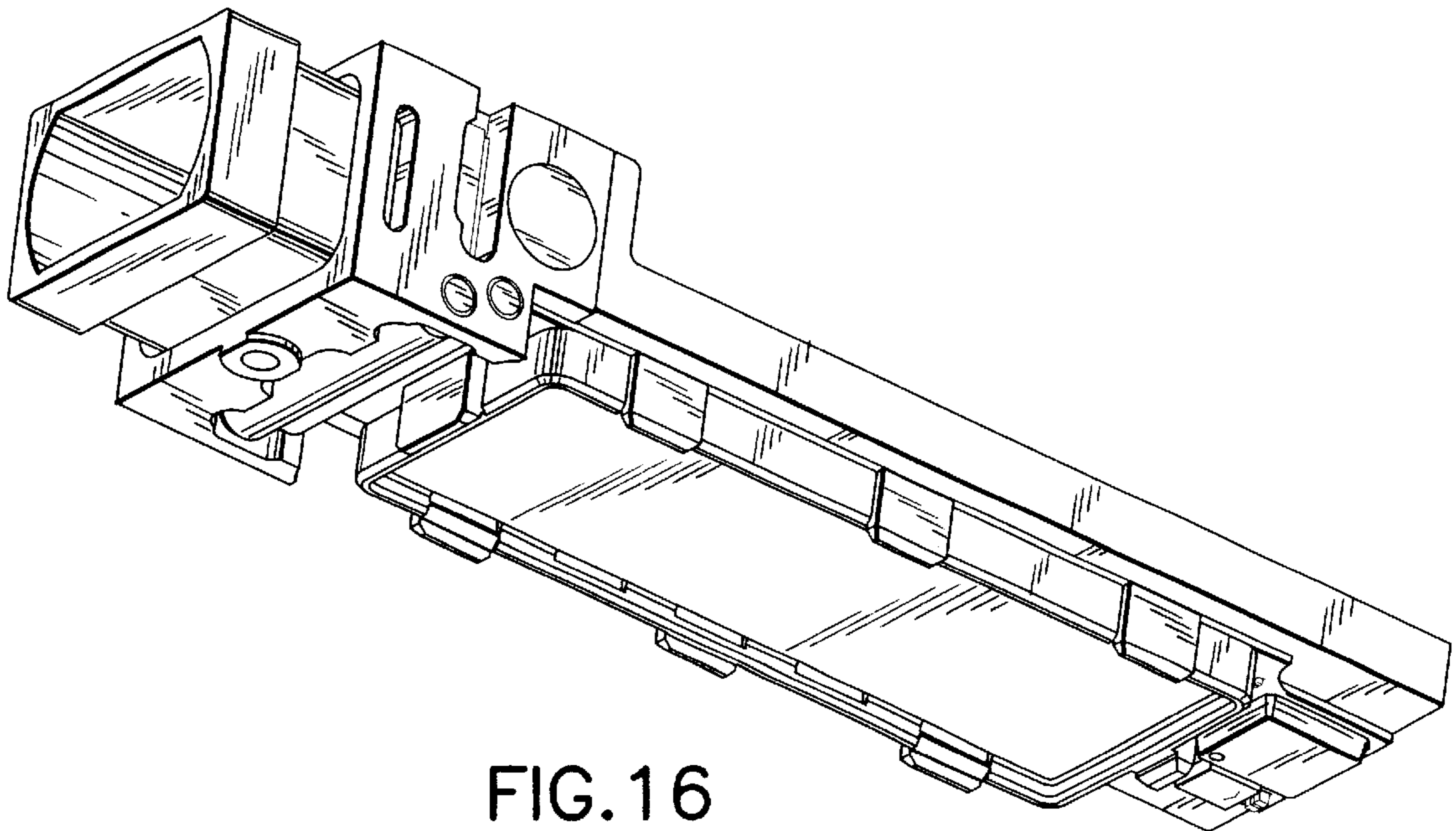


FIG.16

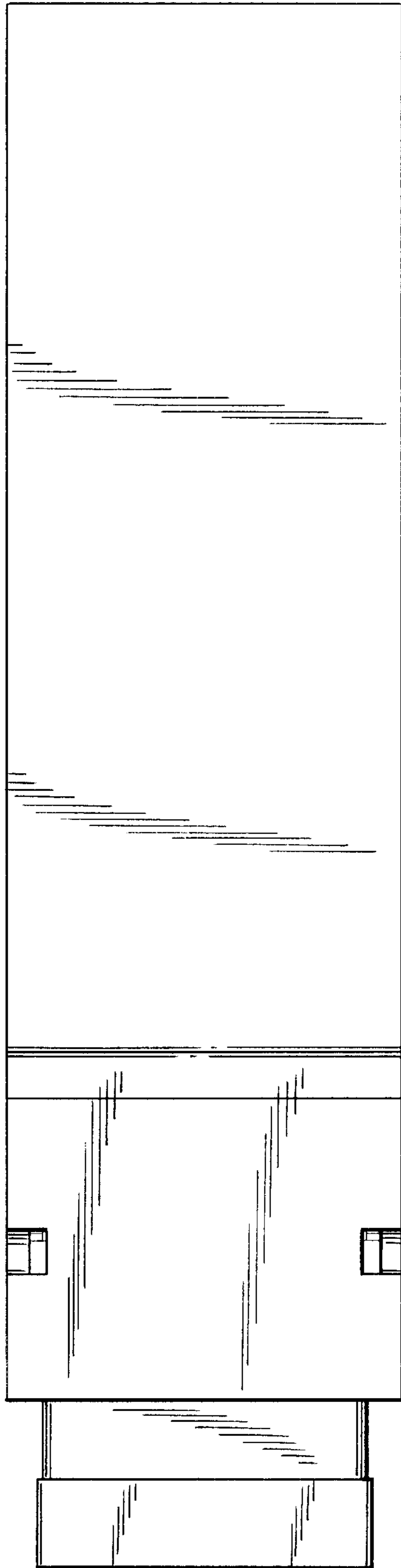


FIG.17

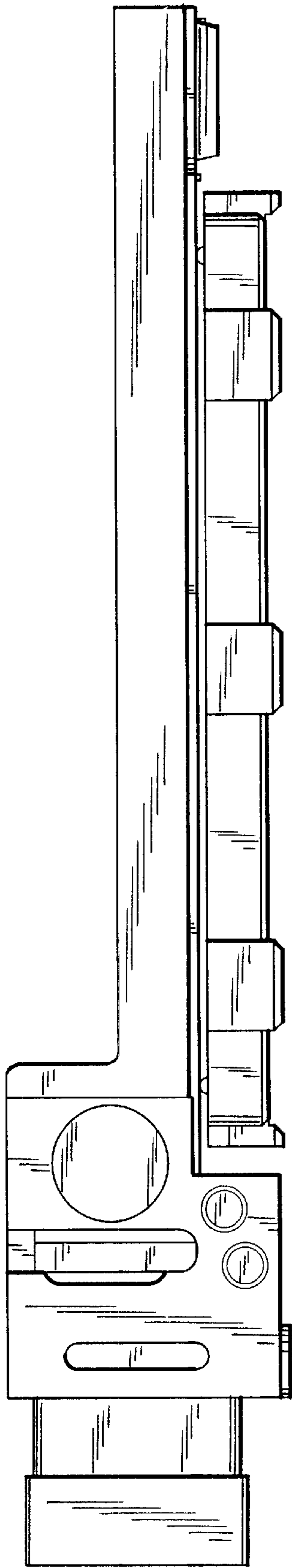


FIG. 18

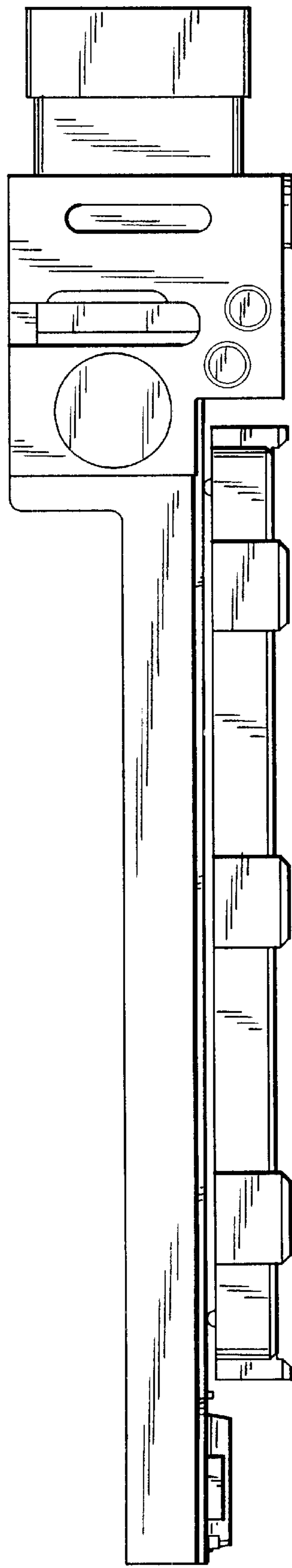


FIG. 19

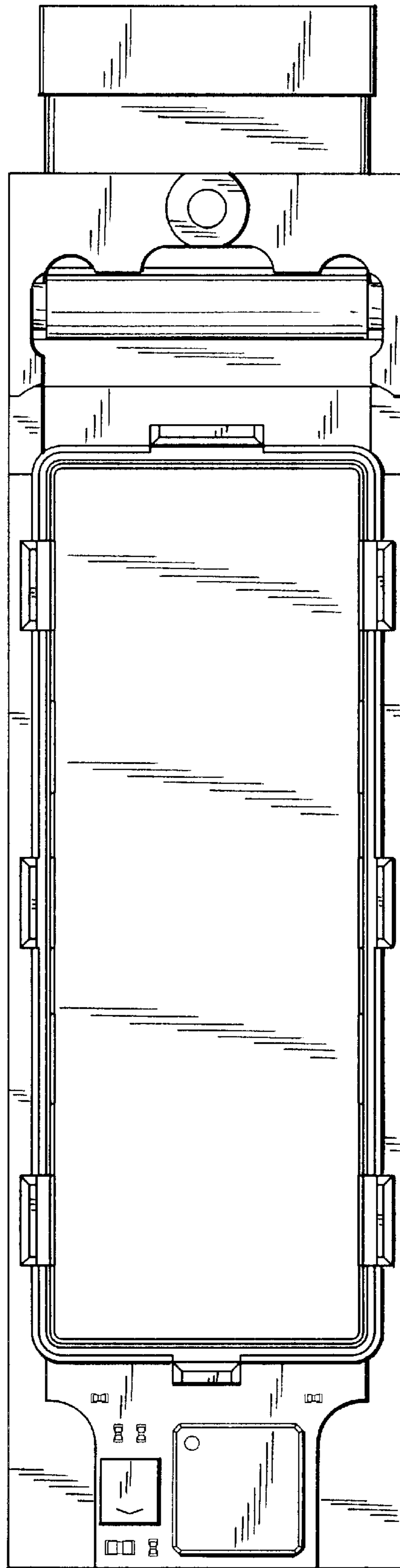


FIG.20

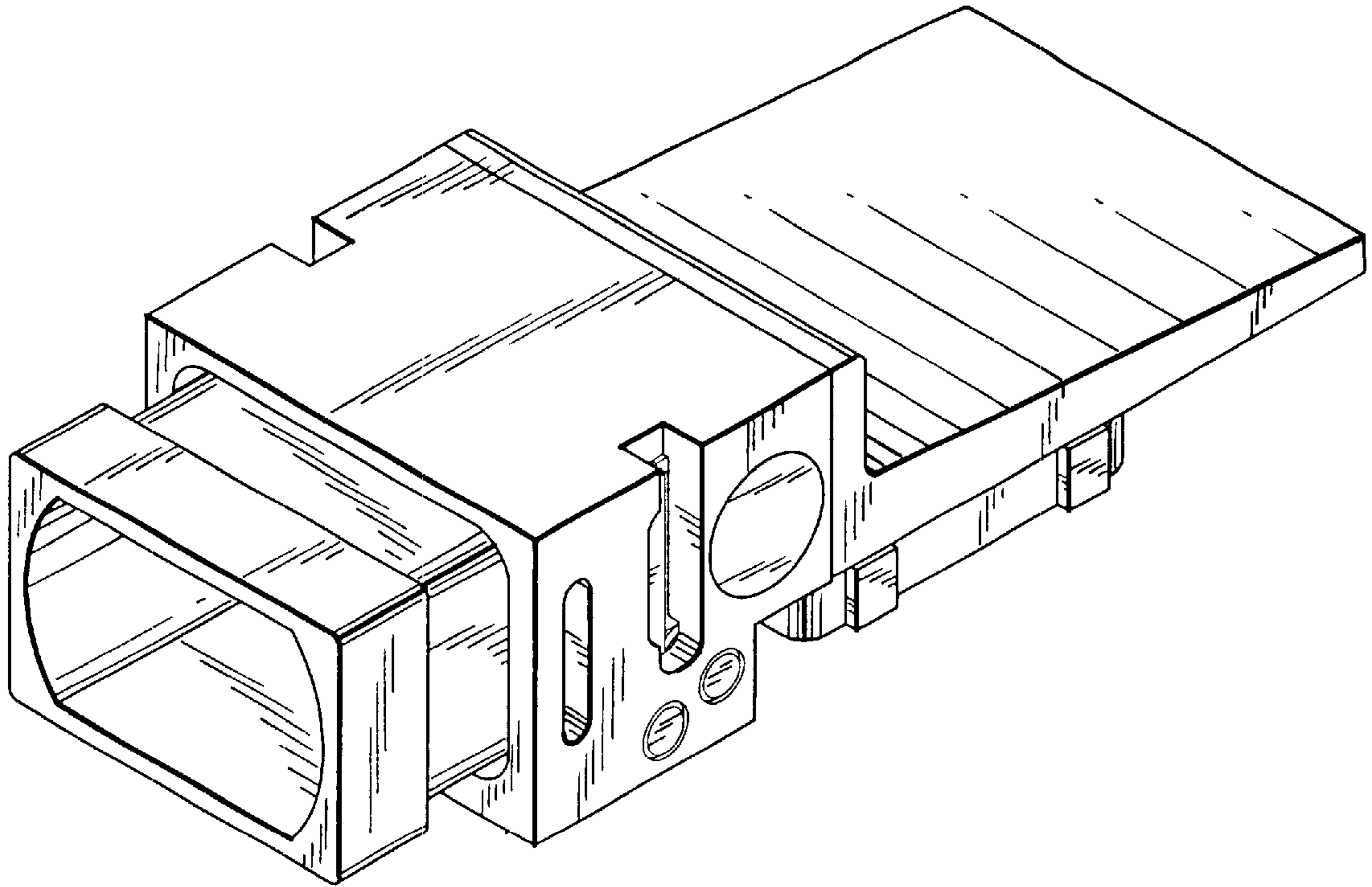


FIG. 21

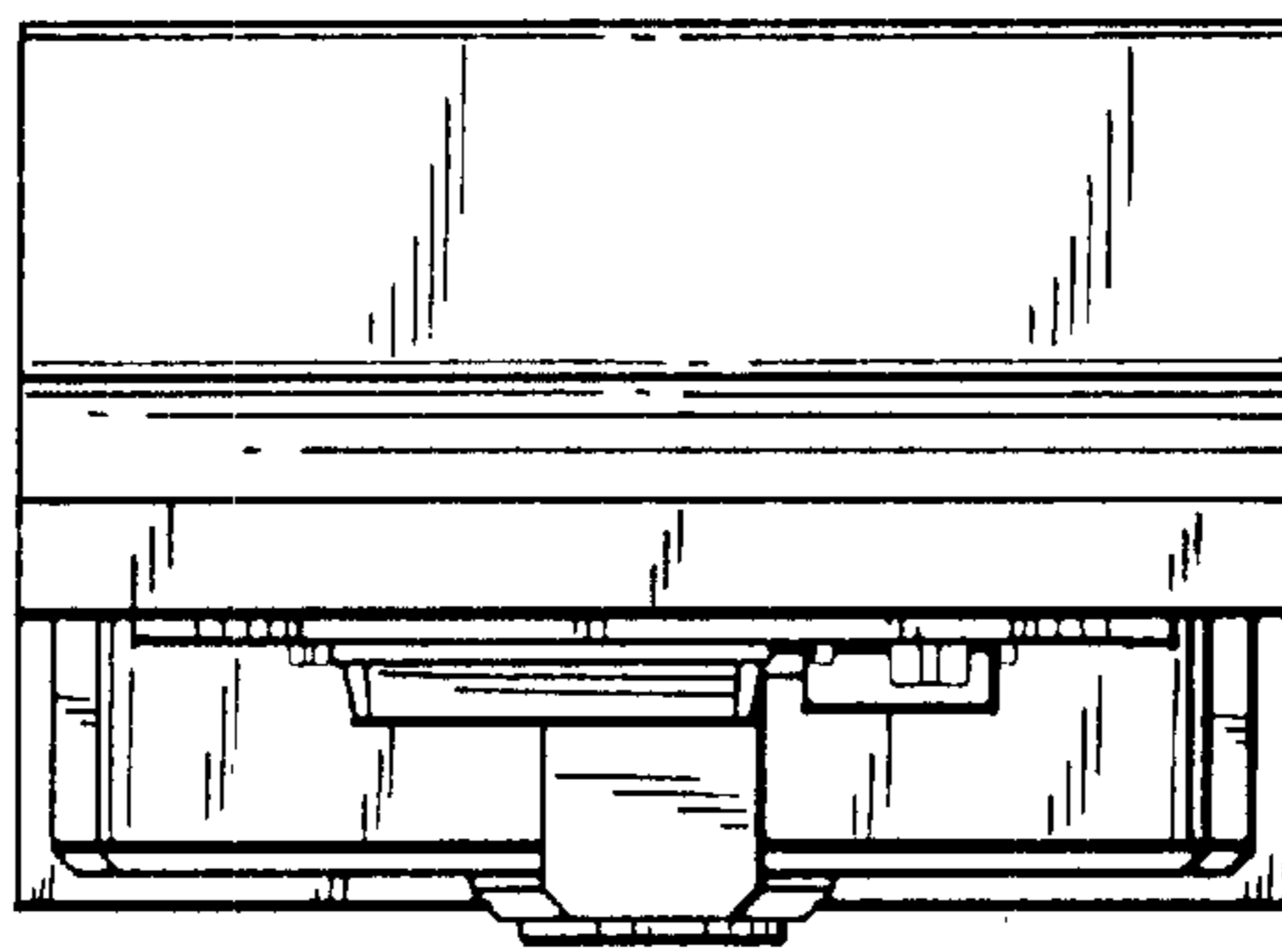


FIG. 25

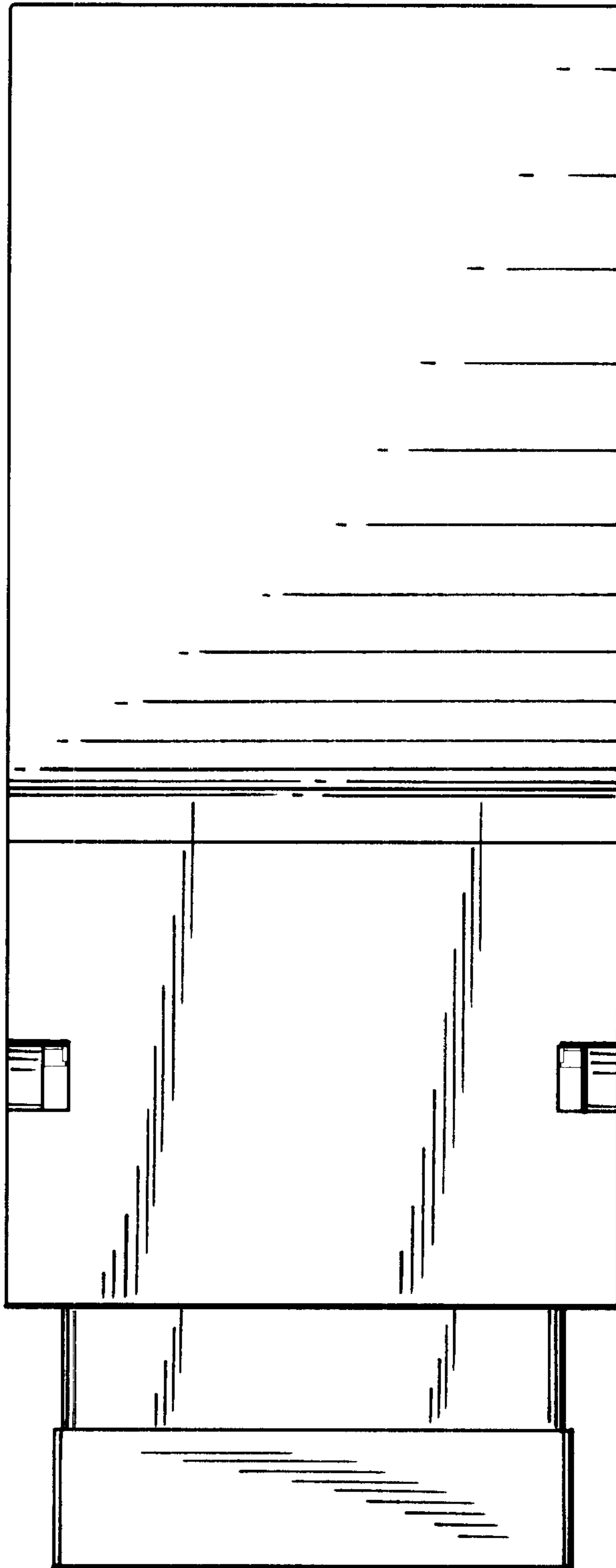


FIG.22

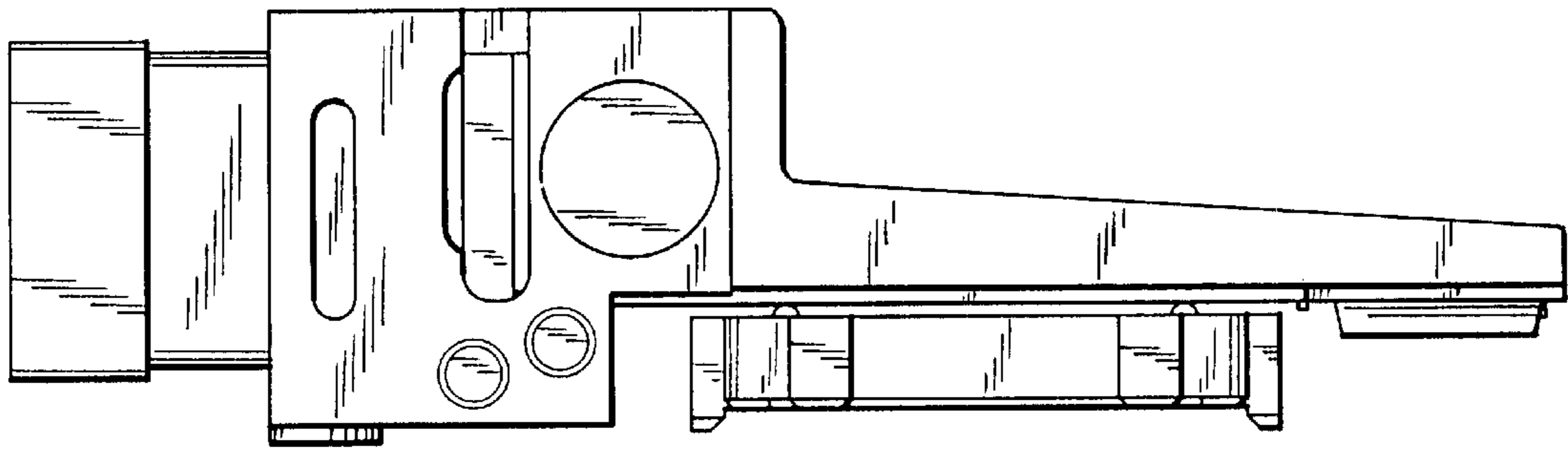


FIG. 23

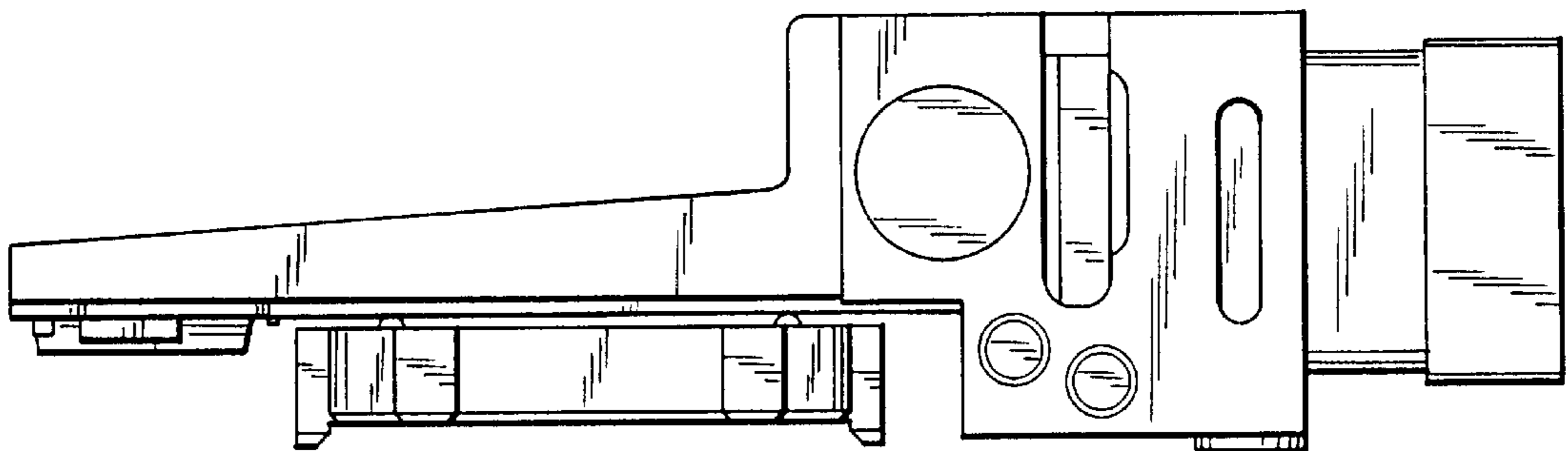


FIG. 24

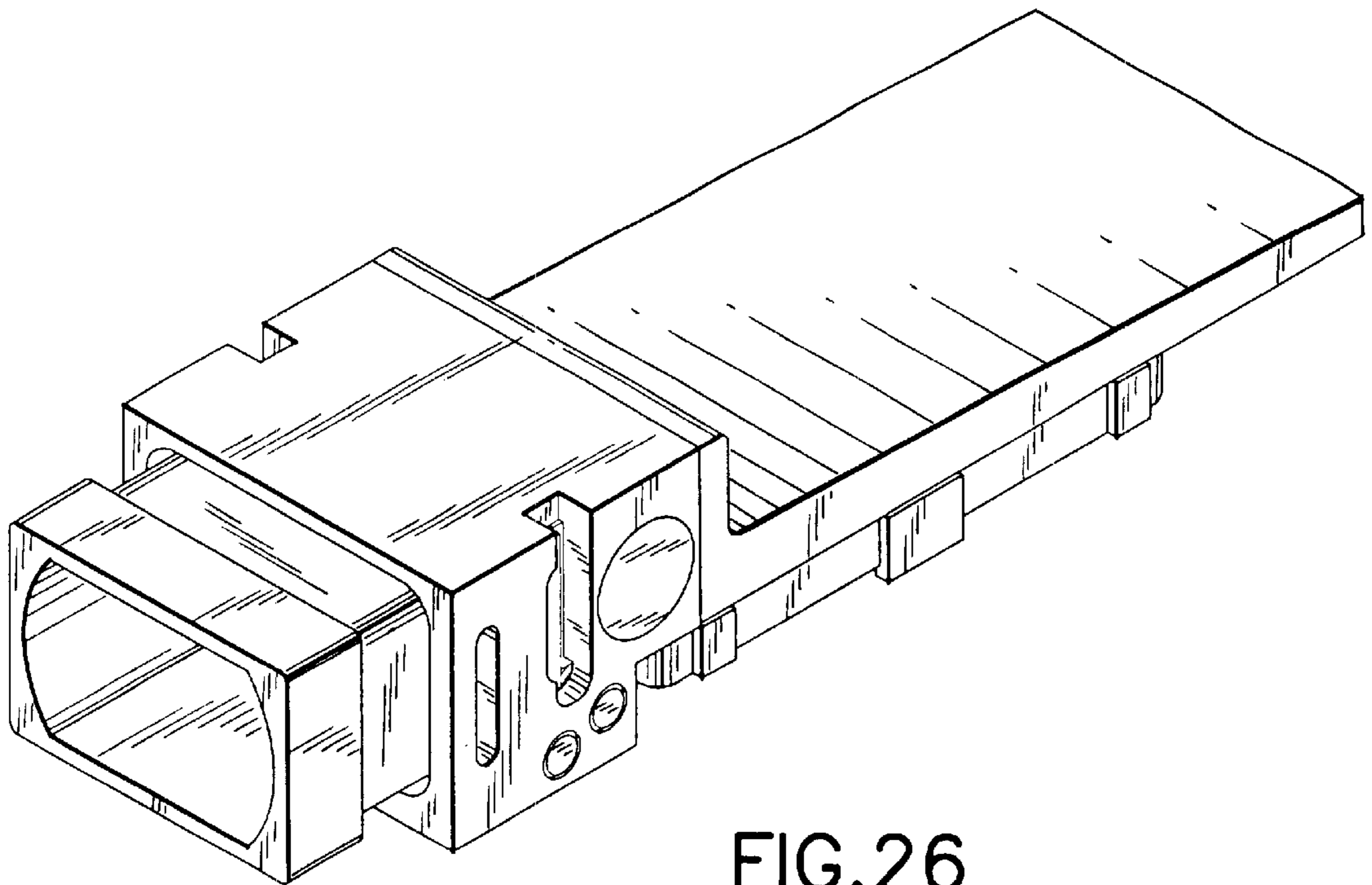


FIG. 26

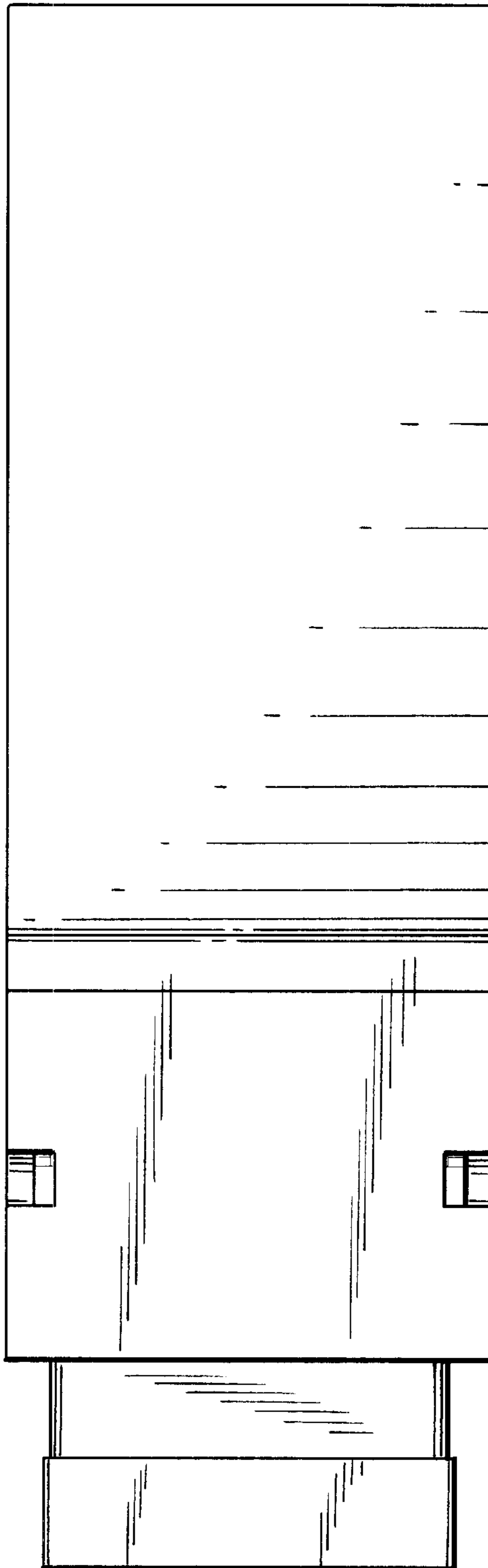


FIG.27

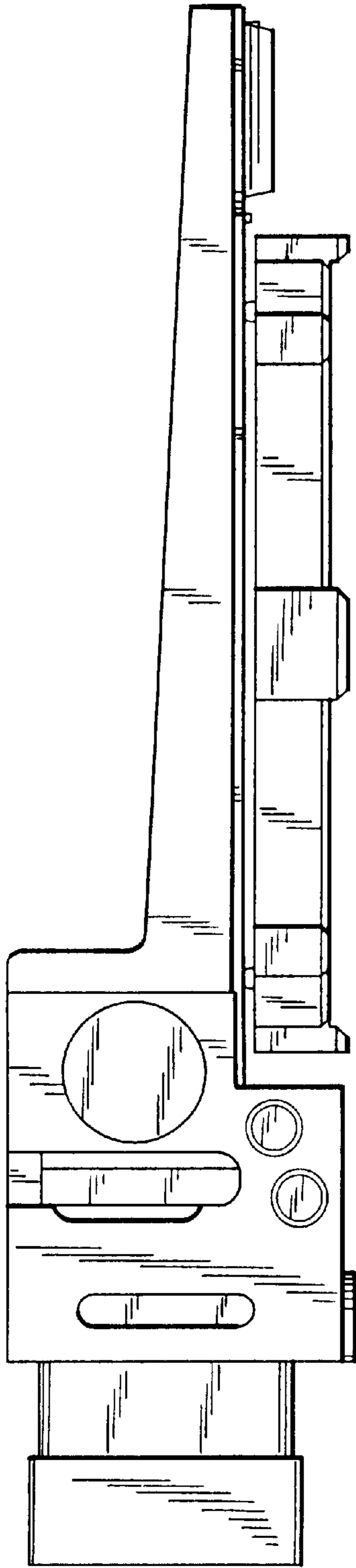


FIG. 28

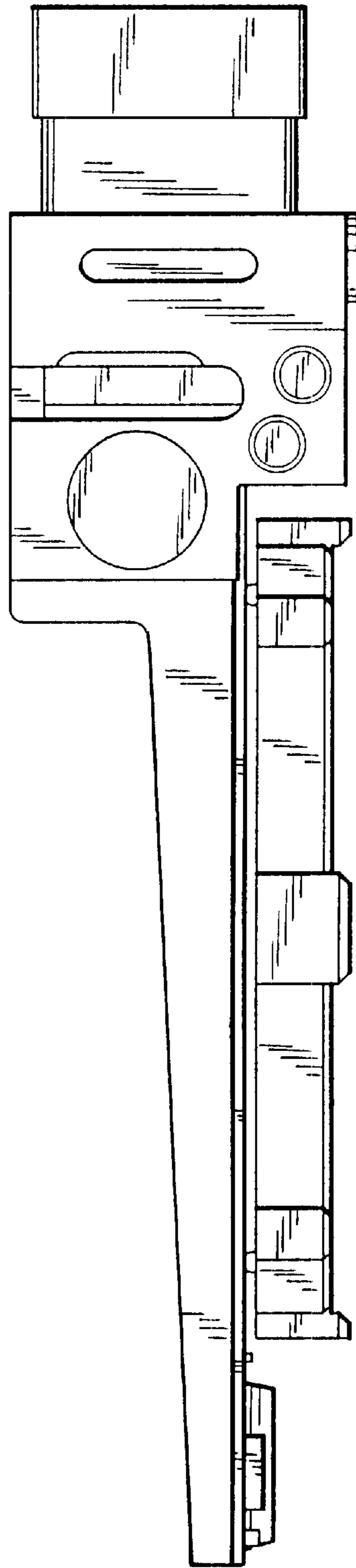


FIG. 29

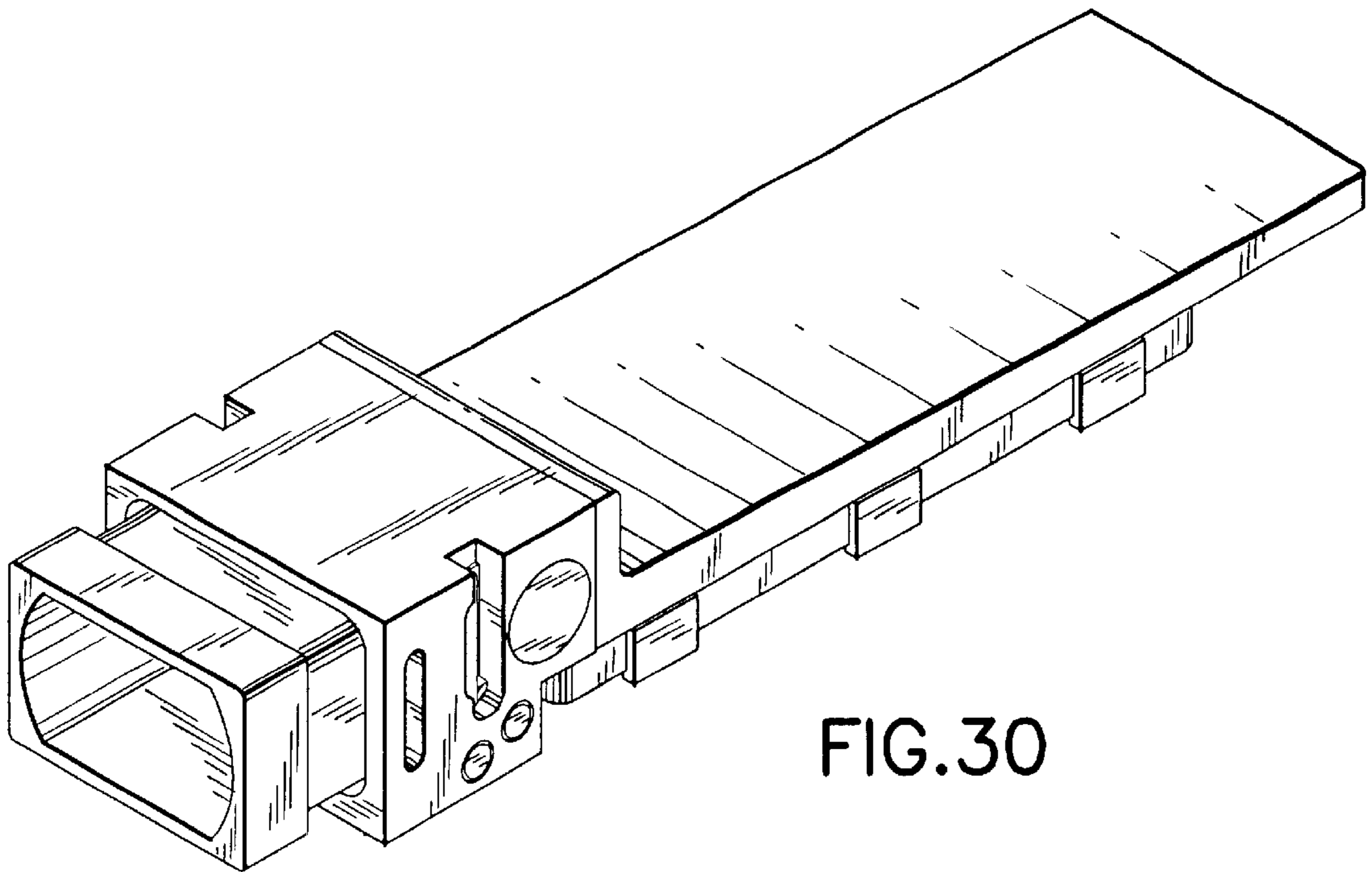


FIG.30

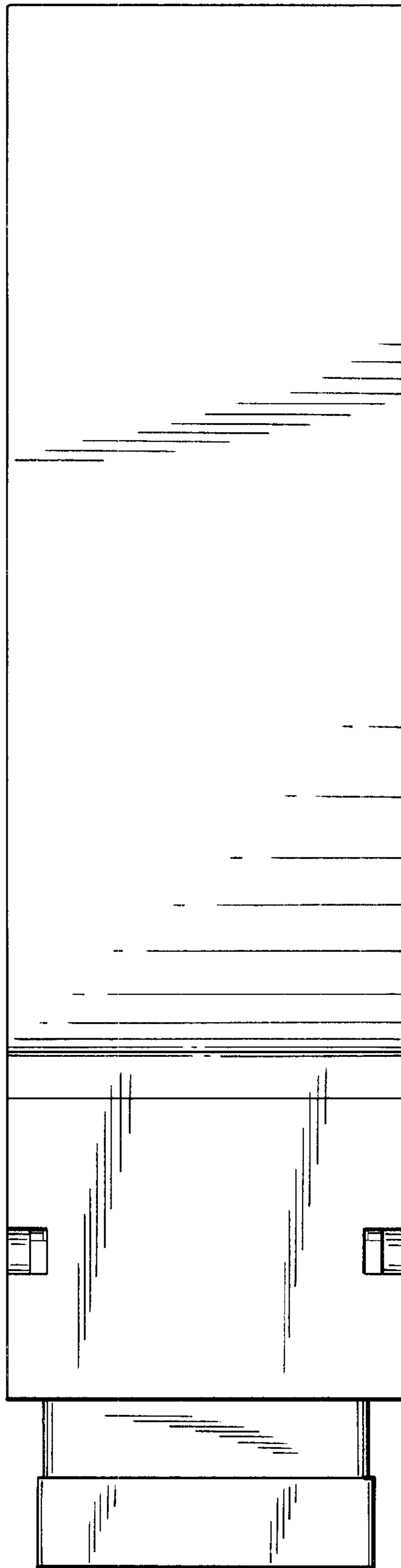


FIG.31

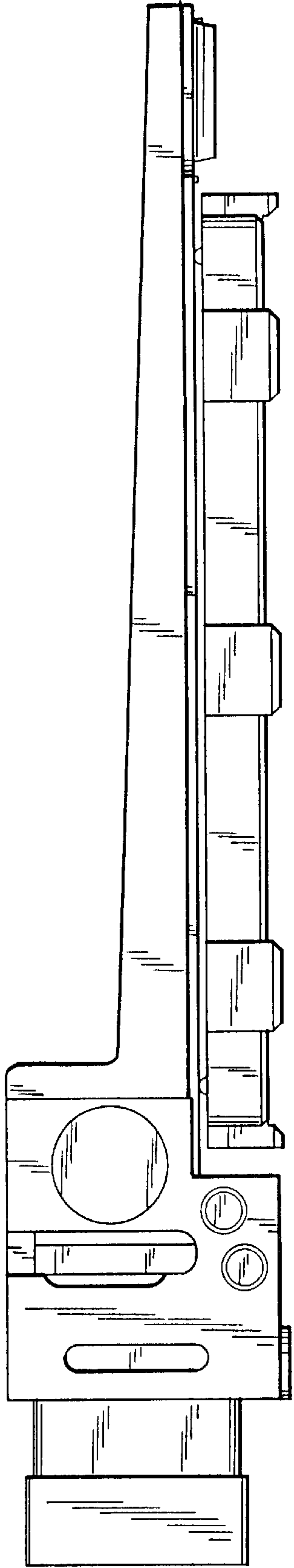


FIG. 32

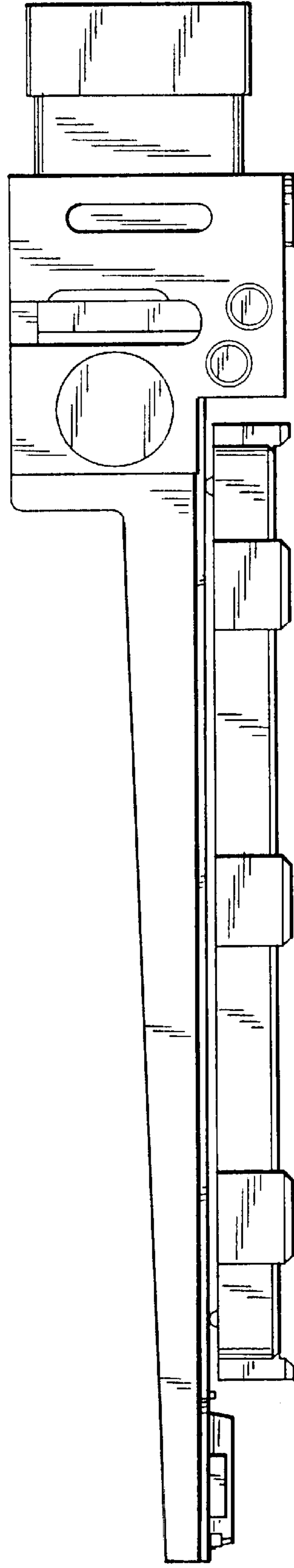


FIG. 33