



US00D477307S

(12) **United States Design Patent**  
**Tierney**

(10) **Patent No.:** **US D477,307 S**

(45) **Date of Patent:** **\*\* Jul. 15, 2003**

(54) **PAIR OF SPEAKERS**

(75) Inventor: **Julie Elaine Tierney**, Raleigh, NC (US)

(73) Assignee: **International Business Machines Corporation**, Armonk, NY (US)

(\*\*) Term: **14 Years**

(21) Appl. No.: **29/148,589**

(22) Filed: **Sep. 24, 2001**

(51) **LOC (7) Cl.** ..... **14-01**

(52) **U.S. Cl.** ..... **D14/214**

(58) **Field of Search** ..... D14/204, 207, D14/209-216; 181/144-145, 147-148, 150, 153, 157, 198-199; 381/300-302, 306, 345, 361-364, 386-388, 333, 683

(56) **References Cited**

**U.S. PATENT DOCUMENTS**

D302,979 S	8/1989	Sanders	
5,588,063 A	12/1996	Edgar	
5,638,456 A	6/1997	Conley et al.	
D382,270 S	8/1997	Matsuoka	
D392,977 S	* 3/1998	Kim	..... D14/214
5,732,140 A	3/1998	Thayer	
5,812,369 A	9/1998	Hsu et al.	
5,852,545 A	12/1998	Pan-Ratzlaff	
D406,845 S	3/1999	Goto	
D416,258 S	11/1999	Tejima	
D425,897 S	5/2000	Cho	
D432,518 S	10/2000	Muto	

D432,519 S 10/2000 Yamaoka et al.

6,151,206 A 11/2000 Kato et al.

6,151,401 A 11/2000 Annaratone

6,181,550 B1 1/2001 Kim

D438,530 S 3/2001 Sawhney et al.

\* cited by examiner

*Primary Examiner*—Nanda Bondade

(74) *Attorney, Agent, or Firm*—J. Bruce Schelkopf

(57) **CLAIM**

The ornamental design for a pair of speakers, as shown and described.

**DESCRIPTION**

FIG. 1 is a front perspective view of a first speaker and a rear perspective view of a second speaker, together being a pair of speakers showing my new design;

FIG. 2 is a front perspective view of a pair of speakers thereof;

FIG. 3 is a rear perspective view thereof;

FIG. 4 is a front perspective view thereof with a flat panel computer;

FIG. 5 is a rear view thereof;

FIG. 6 is a front perspective view thereof with a laptop computer; and,

FIG. 7 is a front perspective view thereof with a traditional computer.

The broken line showing of the computers in FIGS. 4-7 is for illustrative purposes only and forms no part of the claimed design.

**1 Claim, 7 Drawing Sheets**

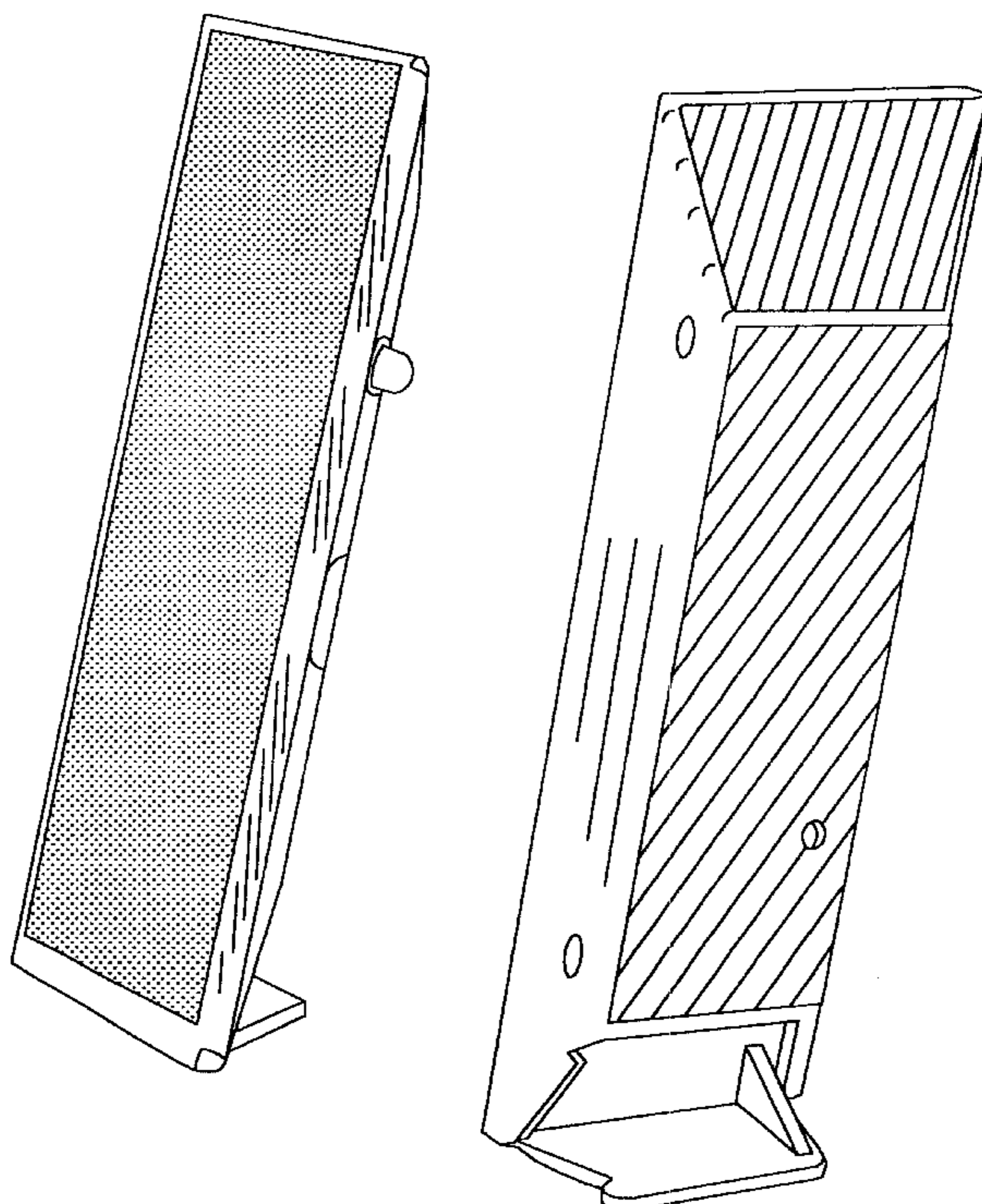


FIG. 1

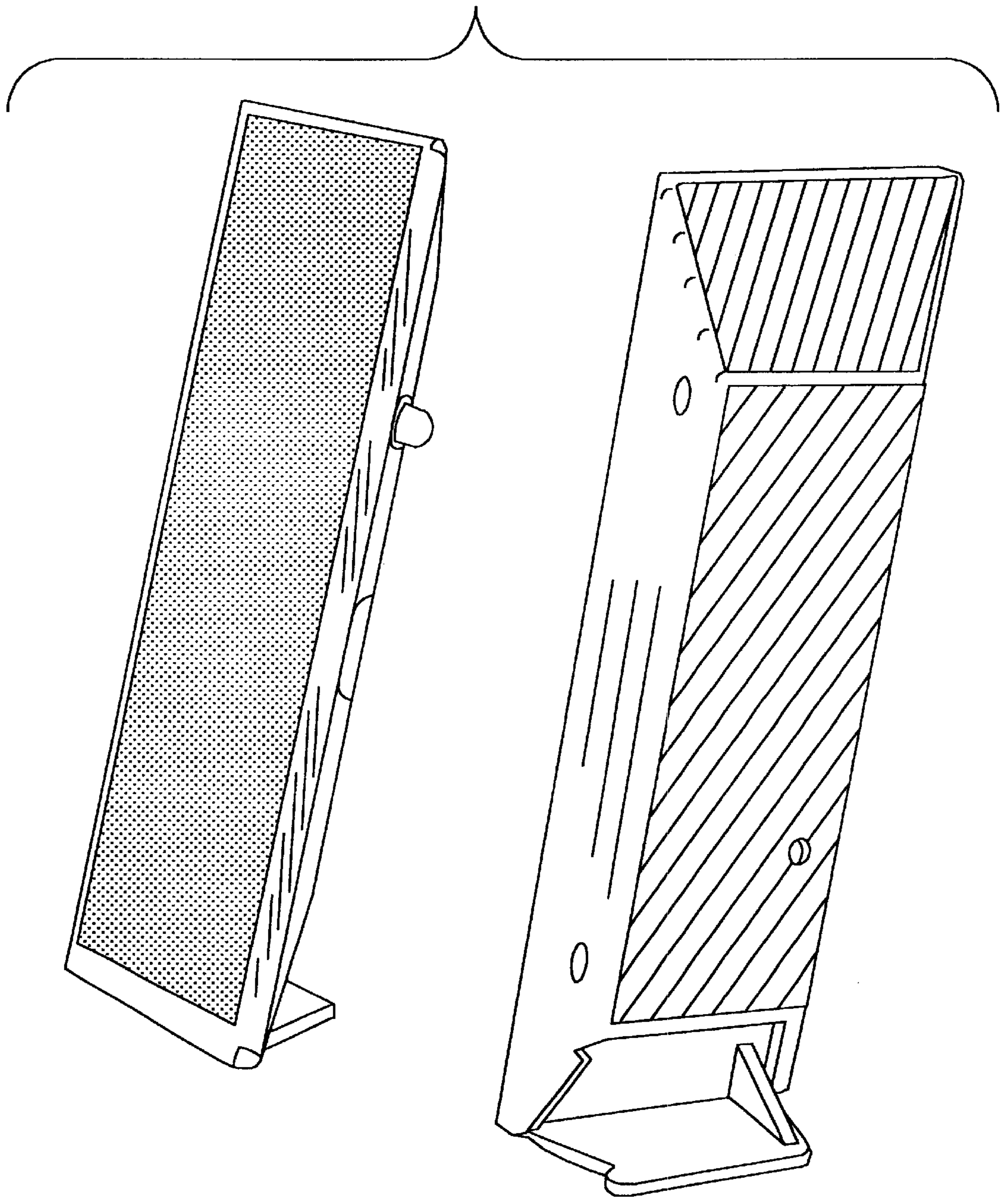


FIG. 2

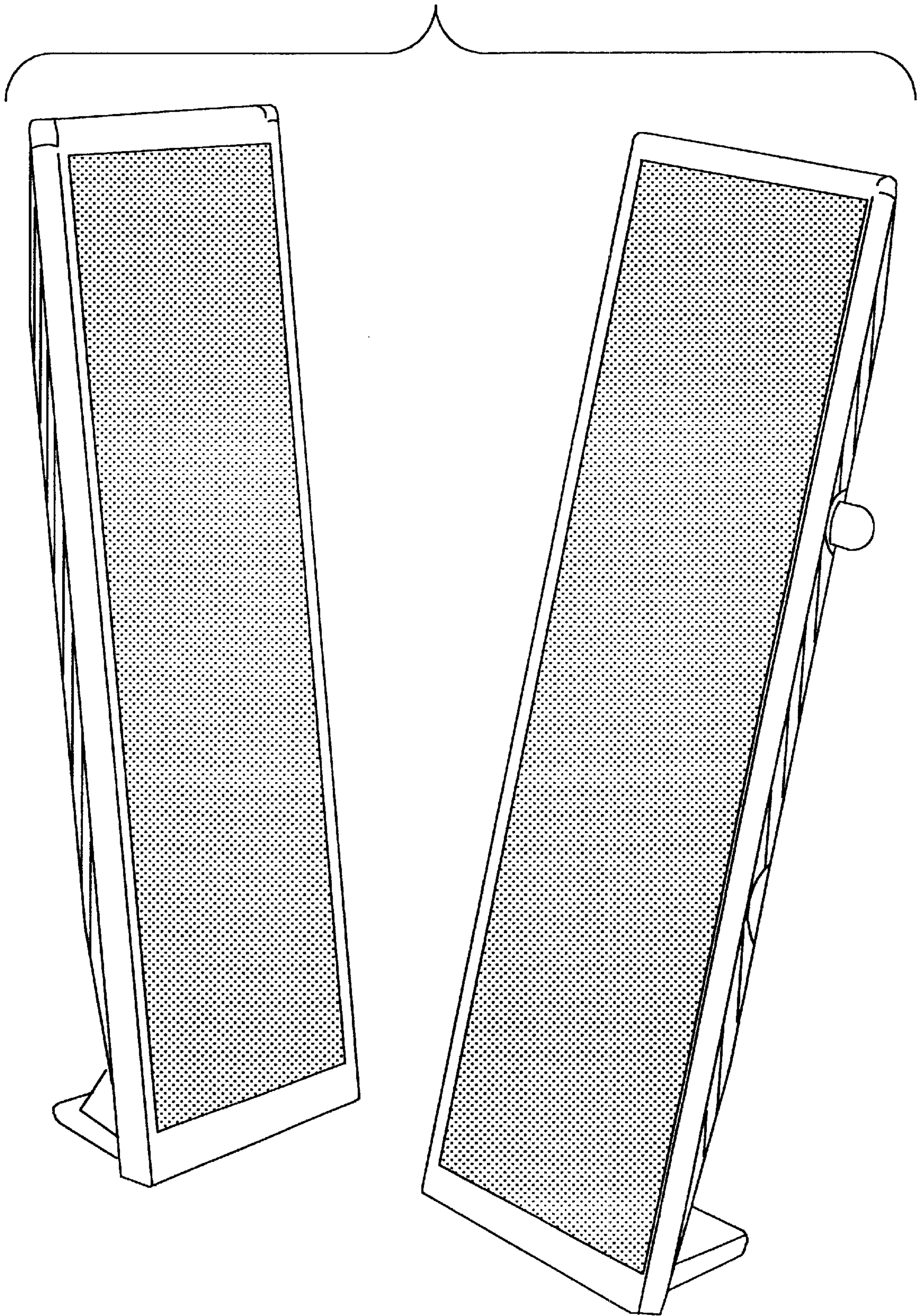


FIG. 3

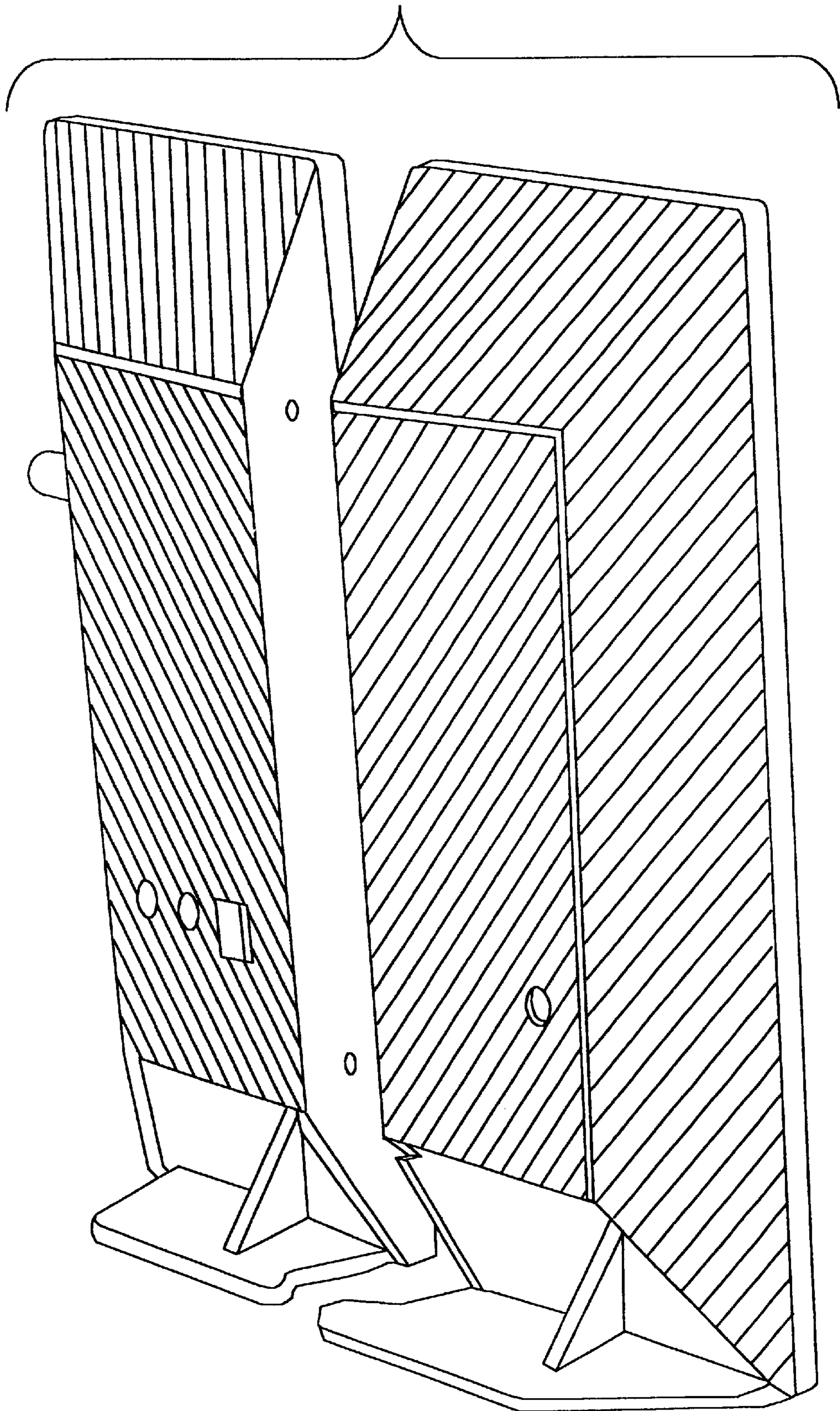


FIG. 4

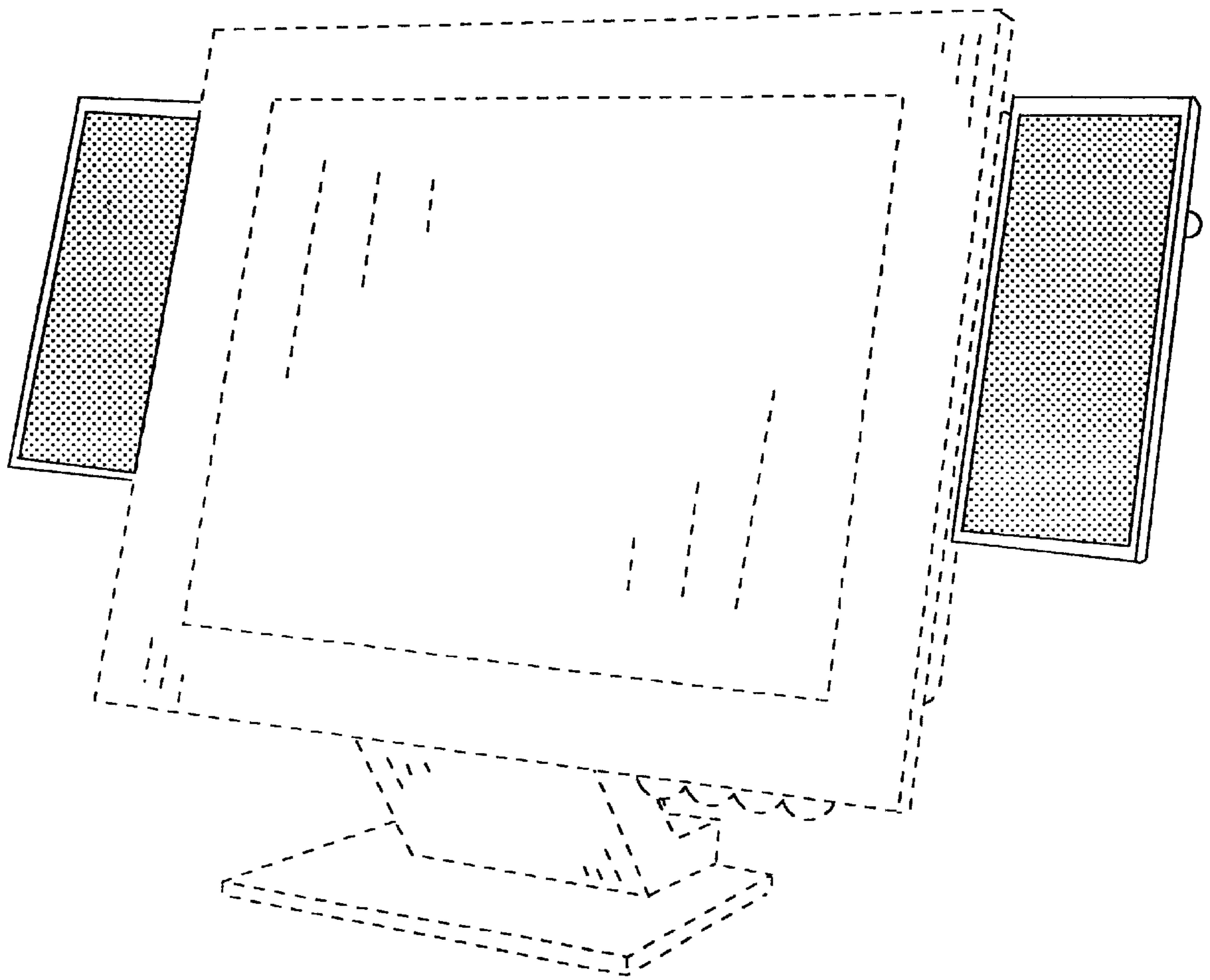


FIG. 5

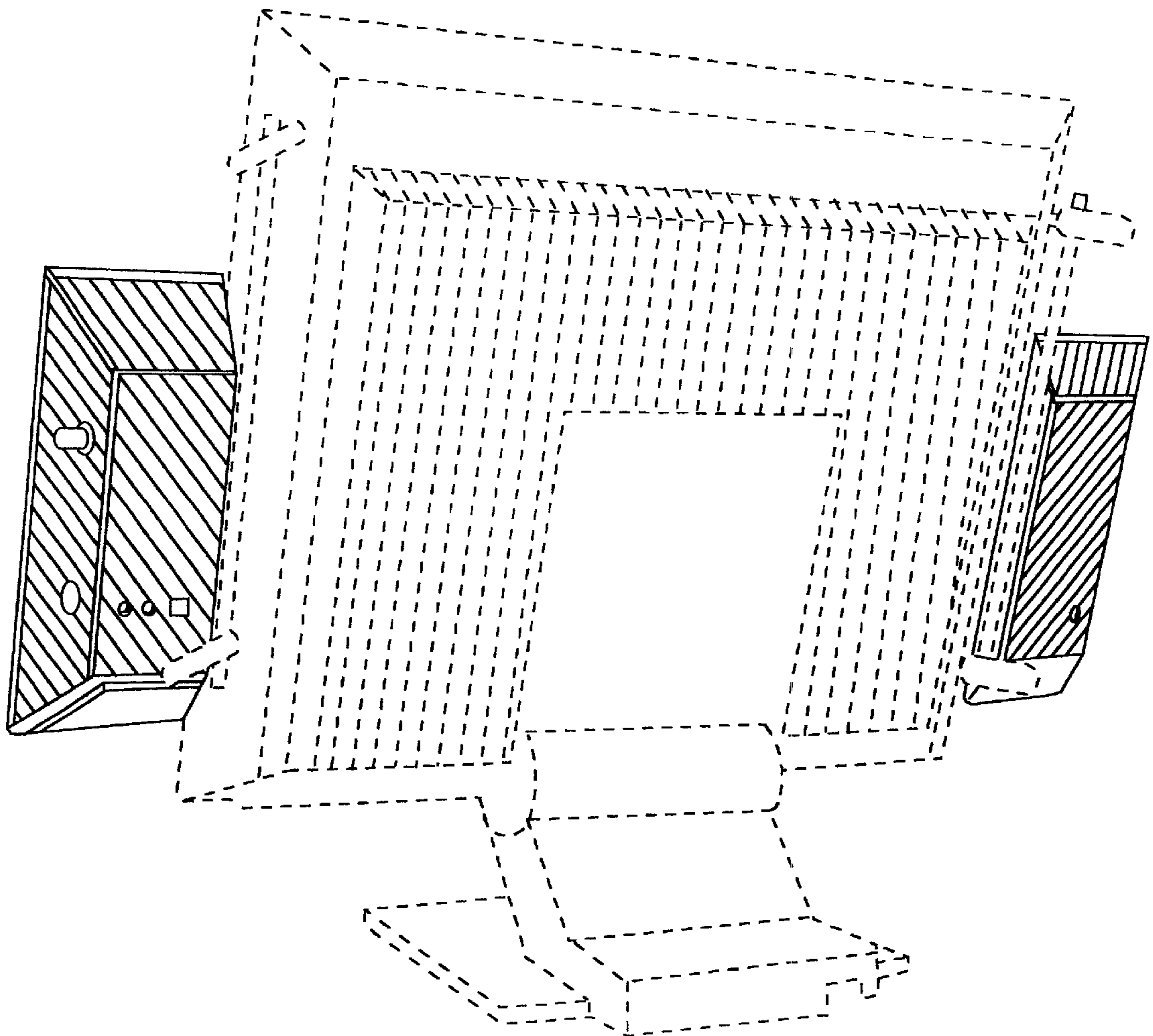


FIG. 6

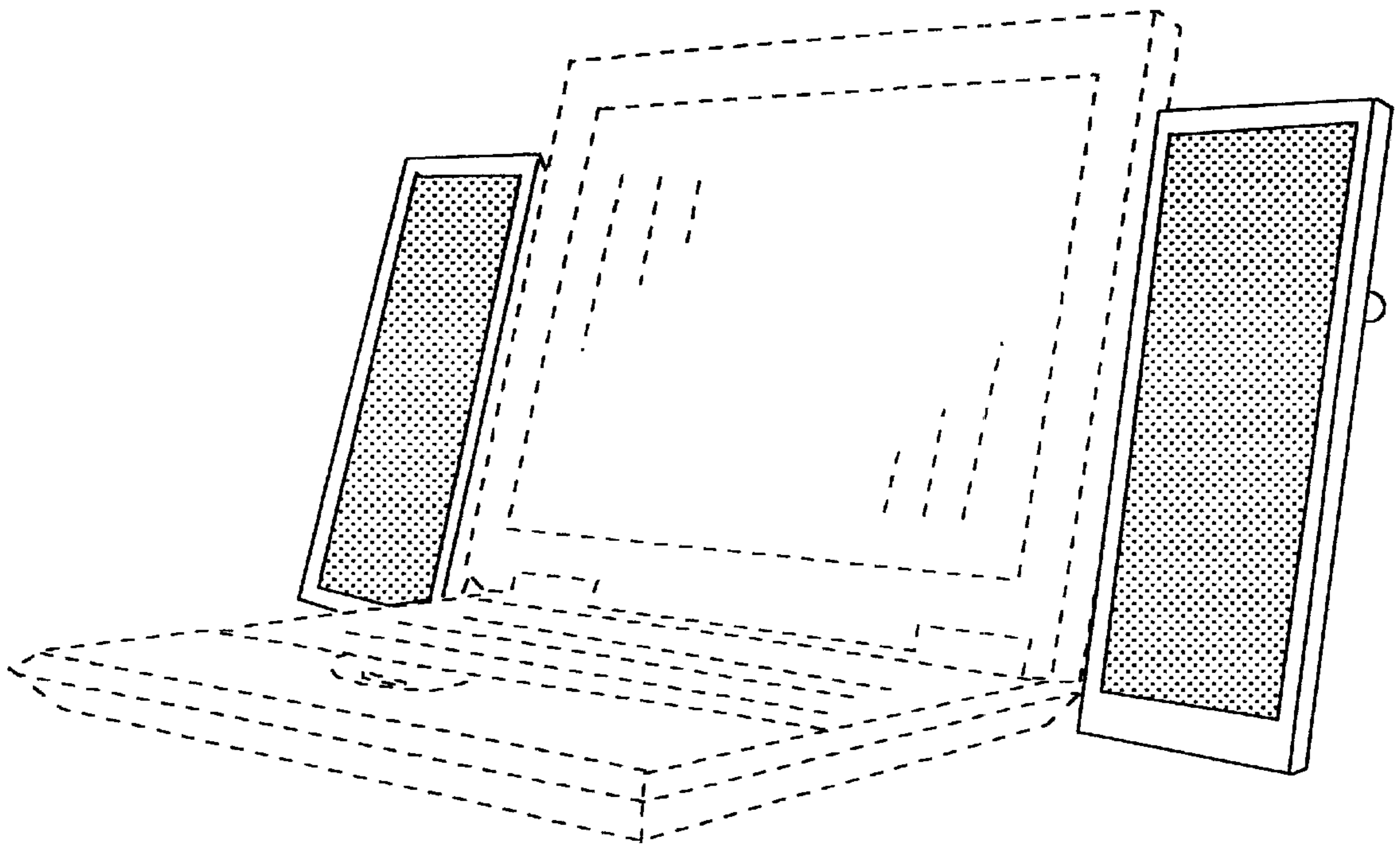


FIG. 7

