



US00D477306S

(12) **United States Design Patent**
Chen

(10) **Patent No.:** **US D477,306 S**

(45) **Date of Patent:** **** Jul. 15, 2003**

(54) **RADIO**

(75) **Inventor:** **Johnson Chen, Walnut, CA (US)**

(73) **Assignee:** **Unitime International Co., Ltd., Walnut, CA (US)**

(**) **Term:** **14 Years**

(21) **Appl. No.:** **29/161,829**

(22) **Filed:** **Jun. 4, 2002**

(51) **LOC (7) Cl.** **14-03**

(52) **U.S. Cl.** **D14/194**

(58) **Field of Search** D14/168, 170,
D14/171, 188, 192-198; 455/344, 347,
350, 351

(56) **References Cited**

U.S. PATENT DOCUMENTS

- D305,234 S * 12/1989 Brandsma D14/194
- D379,007 S * 4/1997 Obata D14/168
- D380,757 S * 7/1997 Mak D14/171

- D385,562 S * 10/1997 Nijima D14/188
- D411,198 S * 6/1999 Kawase D14/197
- D428,612 S * 7/2000 Scorrano D14/194
- D449,590 S * 10/2001 Lewis D14/188

* cited by examiner

Primary Examiner—Prabhakar Deshmukh

(74) *Attorney, Agent, or Firm*—Pro-Techt International Services

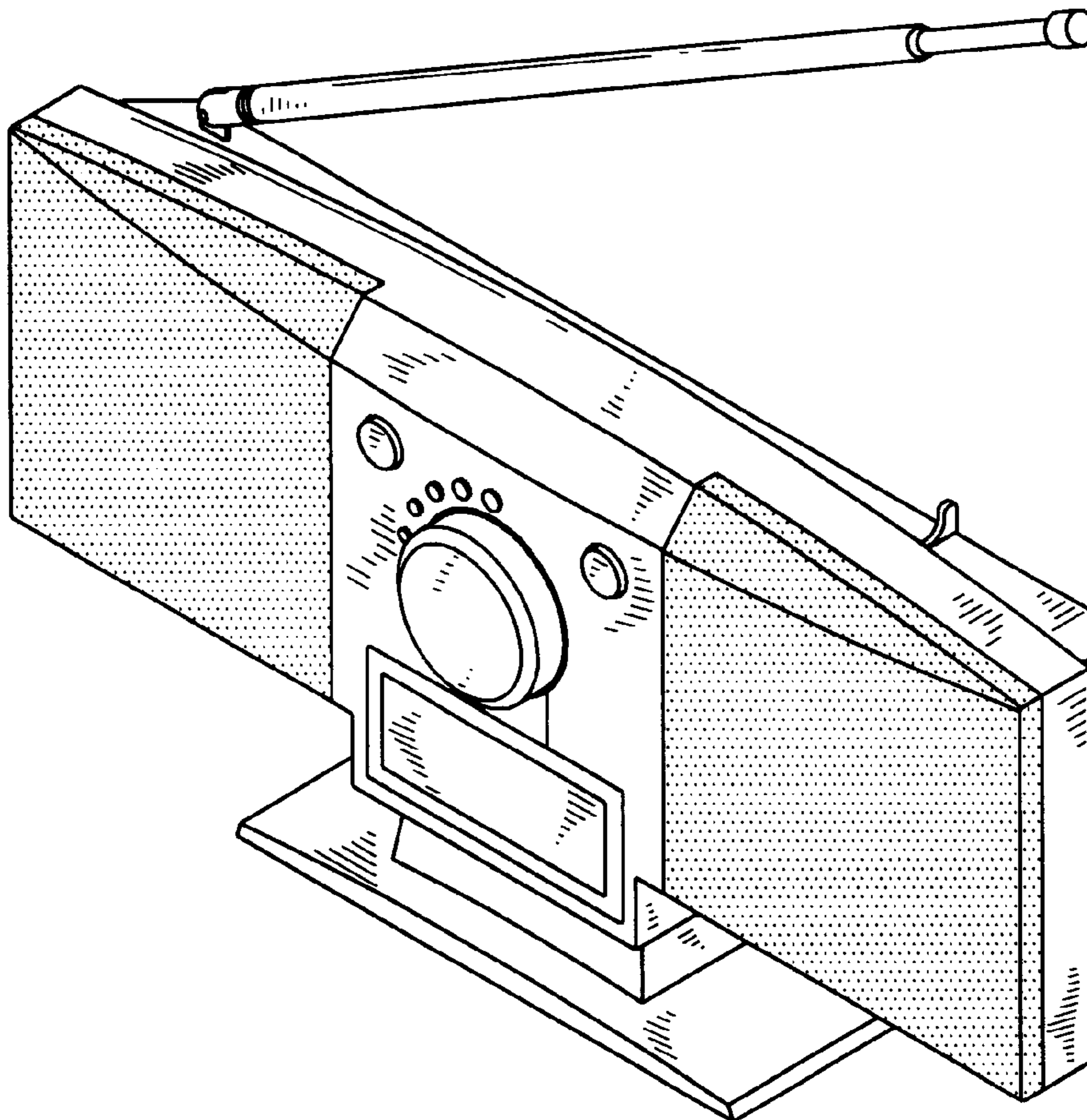
(57) **CLAIM**

The ornamental design for a radio, as shown and described.

DESCRIPTION

FIG. 1 is a perspective view of a radio showing my new design;
 FIG. 2 is a front view of the design;
 FIG. 3 is a rear view of the design;
 FIG. 4 is a left side view of the design;
 FIG. 5 is a right side view of the design;
 FIG. 6 is a top view of the design; and,
 FIG. 7 is a bottom view of the design.

1 Claim, 3 Drawing Sheets



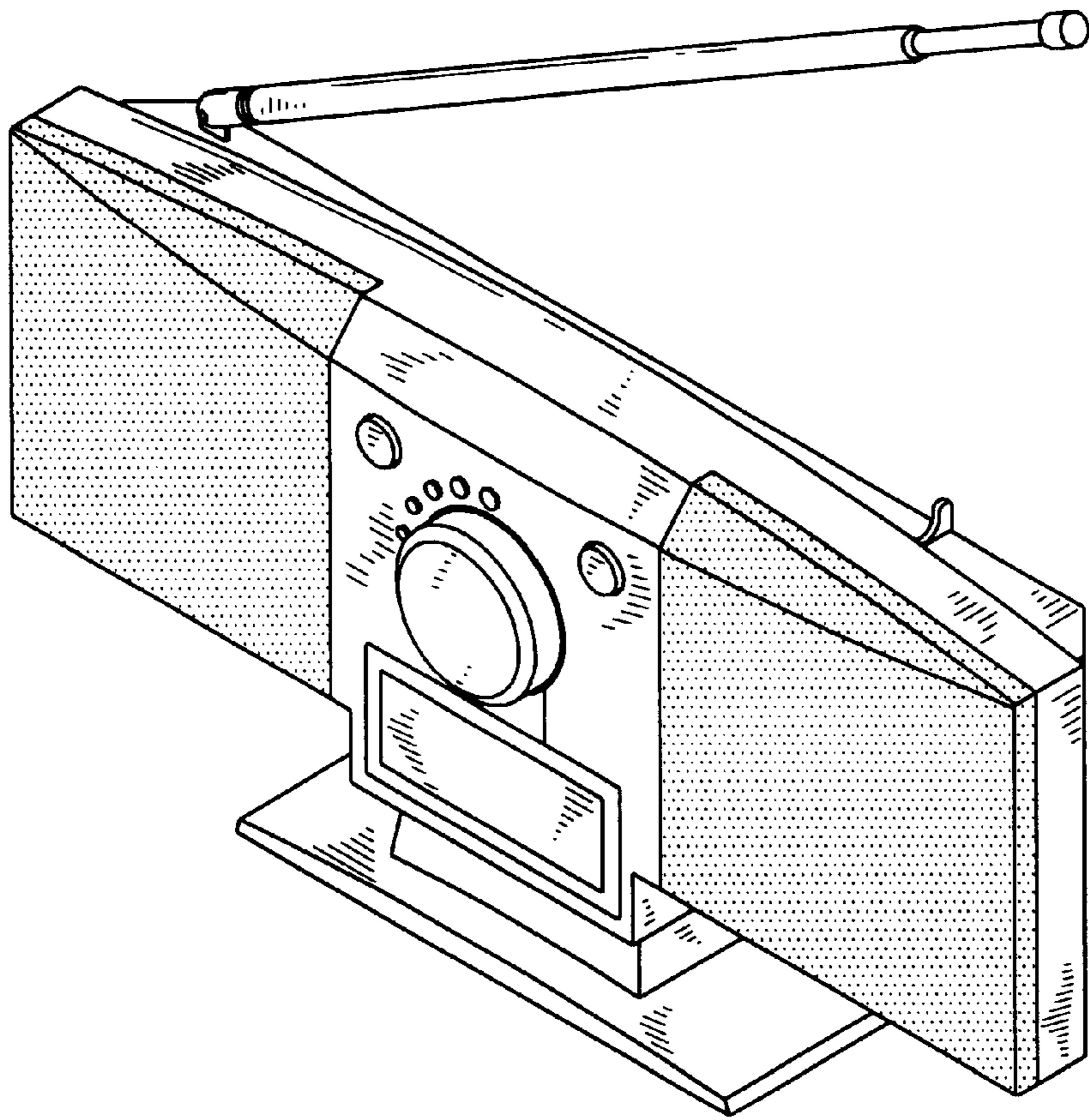


FIG. 1

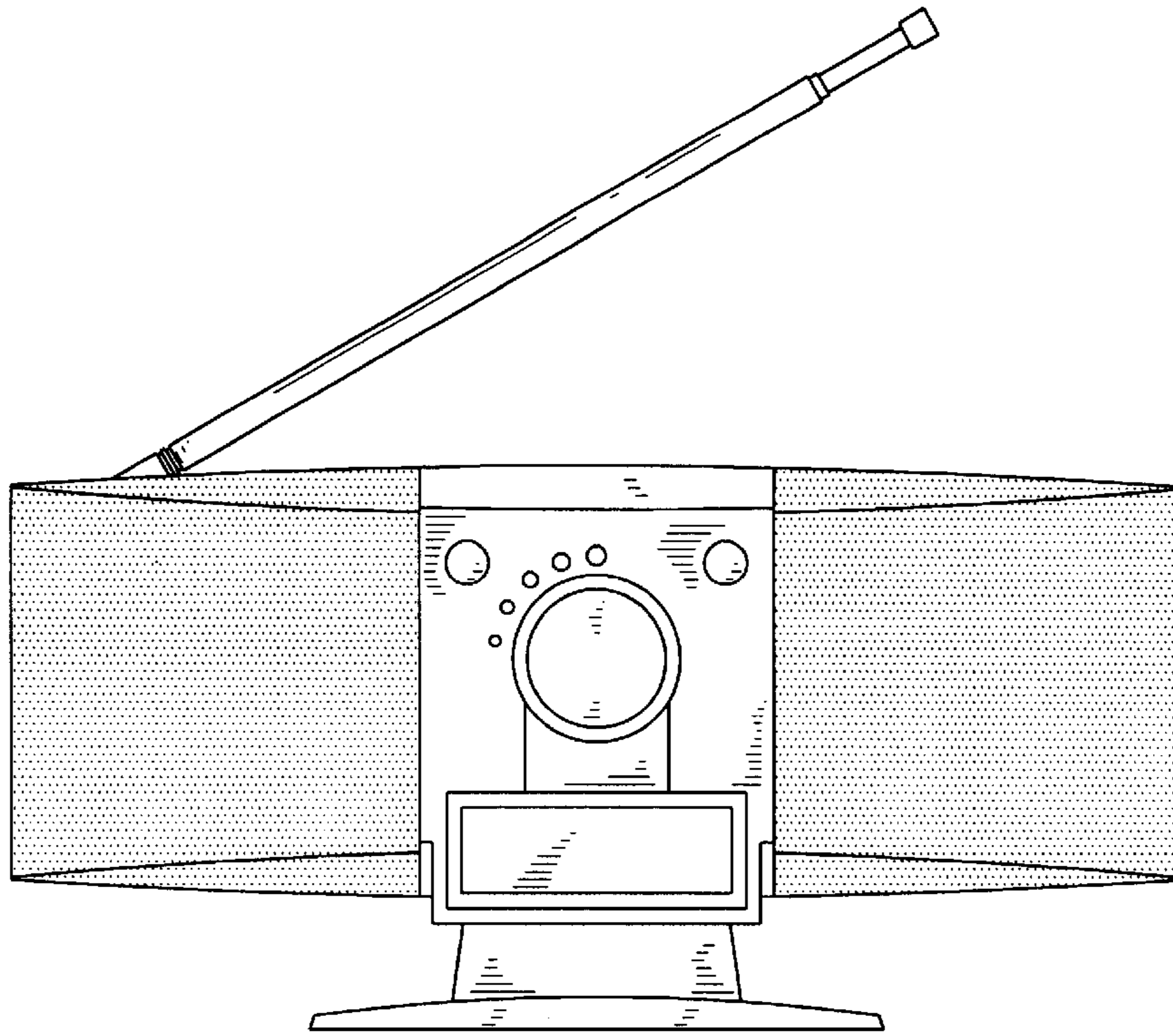


FIG. 2

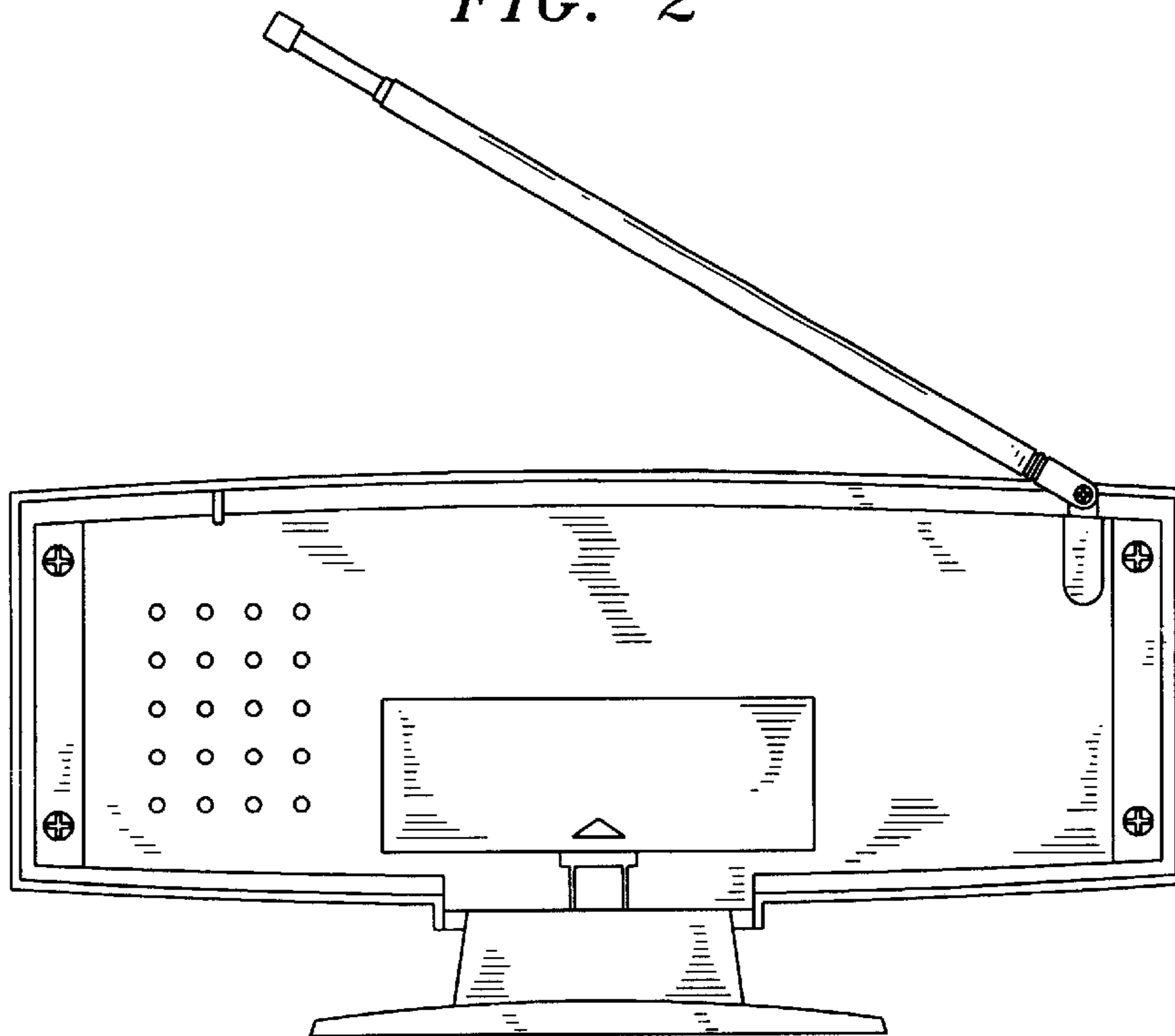


FIG. 3

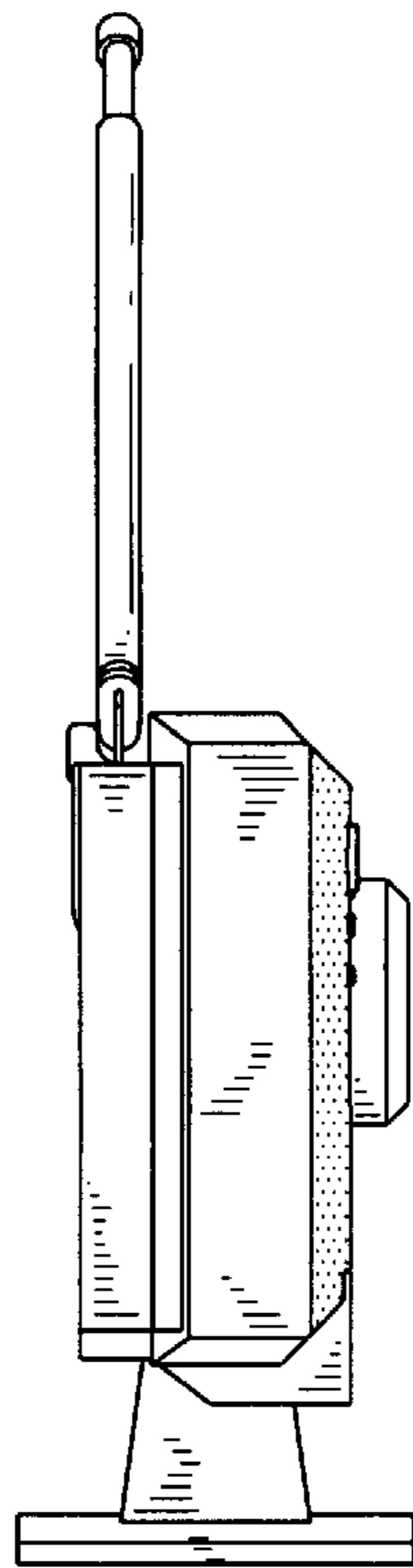


FIG. 4

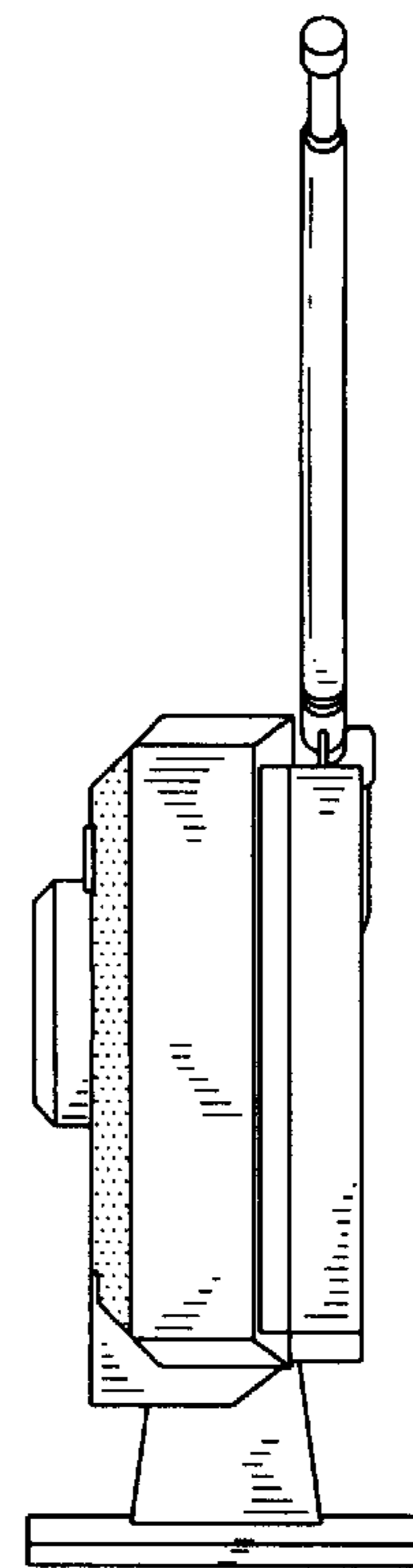


FIG. 5

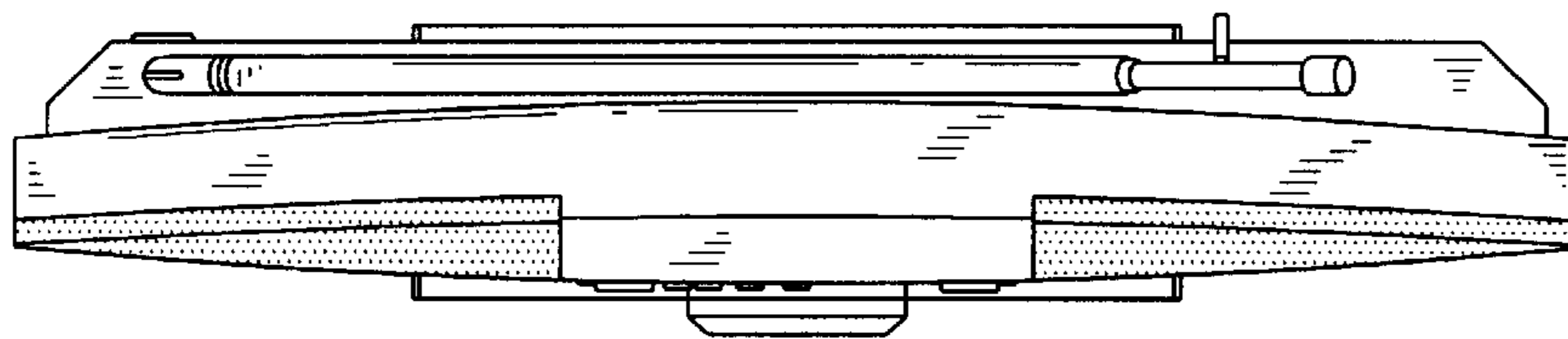


FIG. 6

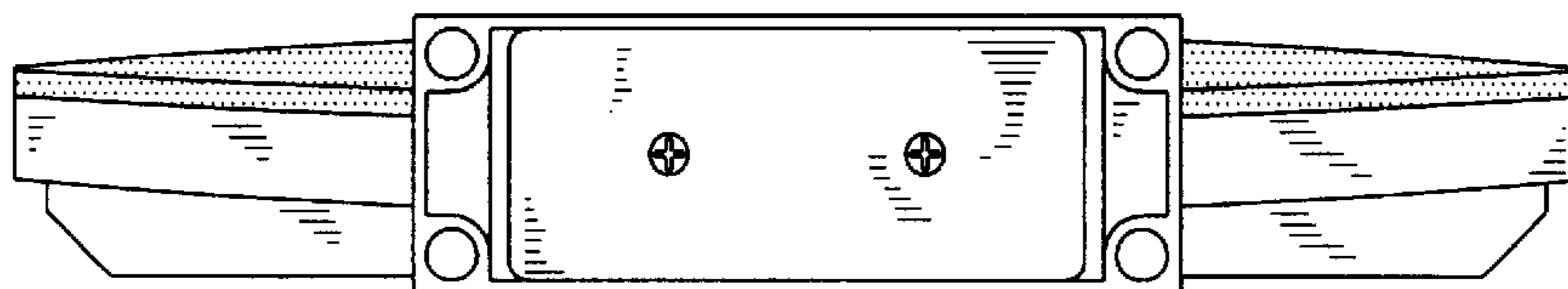


FIG. 7