



US00D477304S

(12) **United States Design Patent**
Isaacs et al.

(10) **Patent No.:** **US D477,304 S**

(45) **Date of Patent:** **** Jul. 15, 2003**

(54) **WIRELESS MICROPHONE RECEIVER**

(75) Inventors: **Dickon Isaacs**, Chicago, IL (US);
Martin Thaler, Chicago, IL (US);
George K. S. M. Aye, Chicago, IL (US)

(73) Assignee: **Shure Incorporated**, Evanston, IL (US)

(**) Term: **14 Years**

(21) Appl. No.: **29/166,800**

(22) Filed: **Sep. 4, 2002**

(51) **LOC (7) Cl.** **14-03**

(52) **U.S. Cl.** **D14/188**

(58) **Field of Search** D14/188, 137,
D14/155, 160, 169, 191, 199, 204, 265,
299; 455/344, 347, 350, 351

(56) **References Cited**

U.S. PATENT DOCUMENTS

4,310,923 A * 1/1982 Kennedy 455/575
D379,354 S * 5/1997 Hippen D14/188
5,848,042 A * 12/1998 Takahashi et al. 369/75.1

D431,033 S * 9/2000 Takahashi et al. D14/188
D444,138 S * 6/2001 Ito et al. D14/188
D445,099 S * 7/2001 Benders D14/217

* cited by examiner

Primary Examiner—Prabhakar Deshmukh
(74) *Attorney, Agent, or Firm*—Banner & Witcoff, Ltd.

(57) **CLAIM**

The ornamental design for a wireless microphone receiver, as shown and described.

DESCRIPTION

FIG. 1 is an isometric view of the wireless microphone receiver design;
FIG. 2 is a top view thereof;
FIG. 3 is a front view thereof;
FIG. 4 is a right side view thereof;
FIG. 5 is a left side view thereof;
FIG. 6 is a rear view thereof; and,
FIG. 7 is a bottom view thereof.

The broken lines are for illustrative purposes only and form no part of the claimed design.

1 Claim, 3 Drawing Sheets

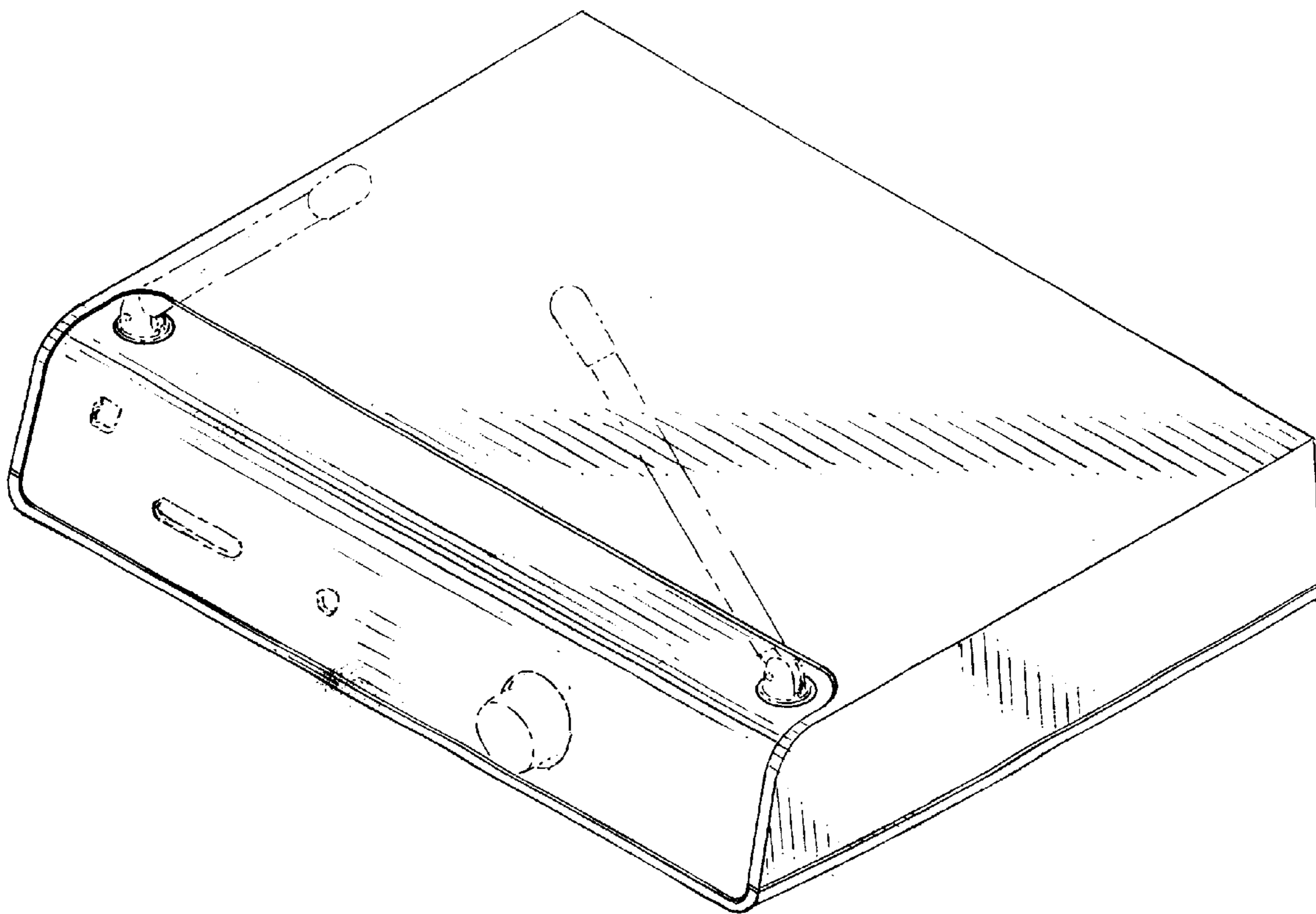


FIG. 1

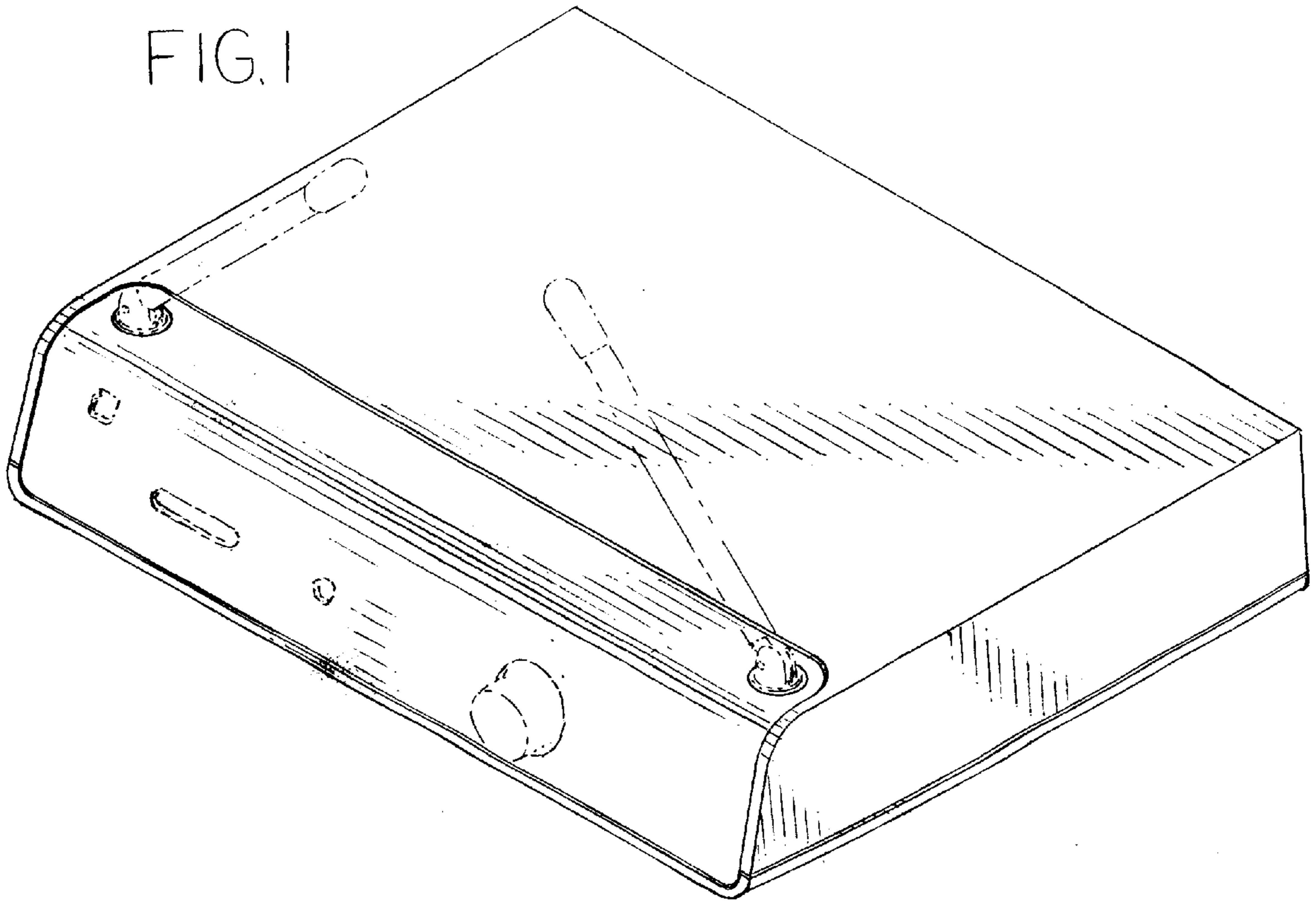
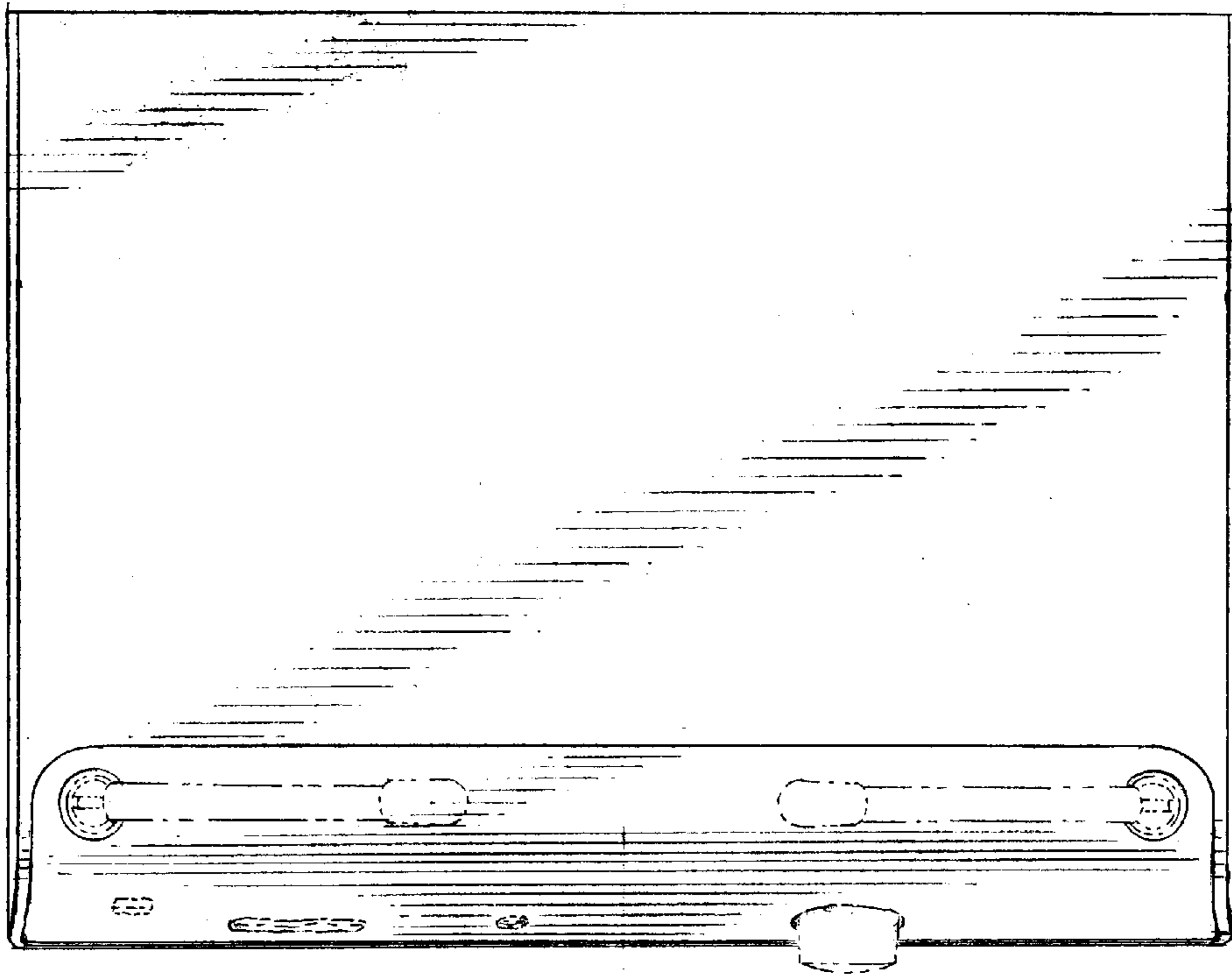
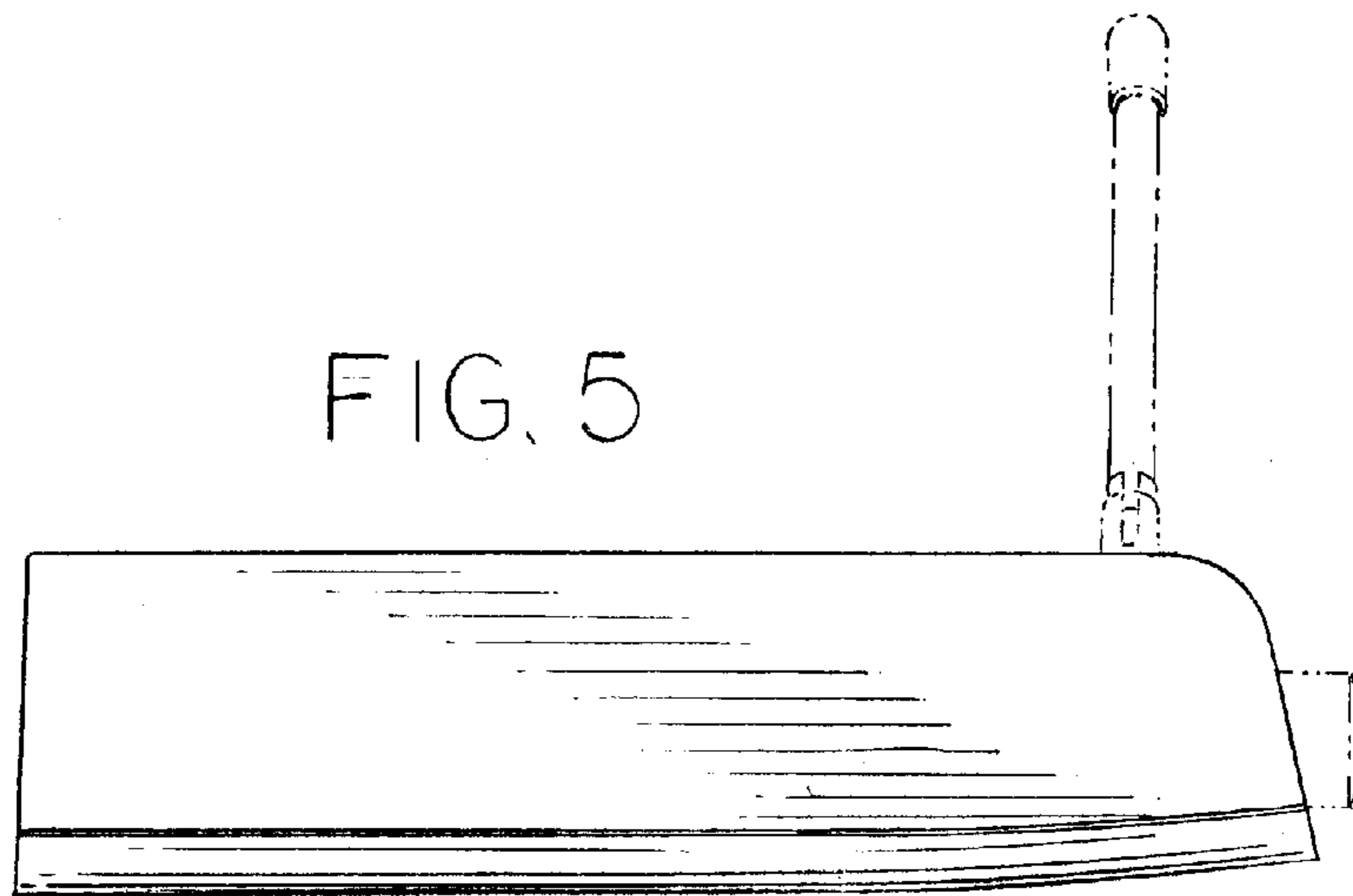
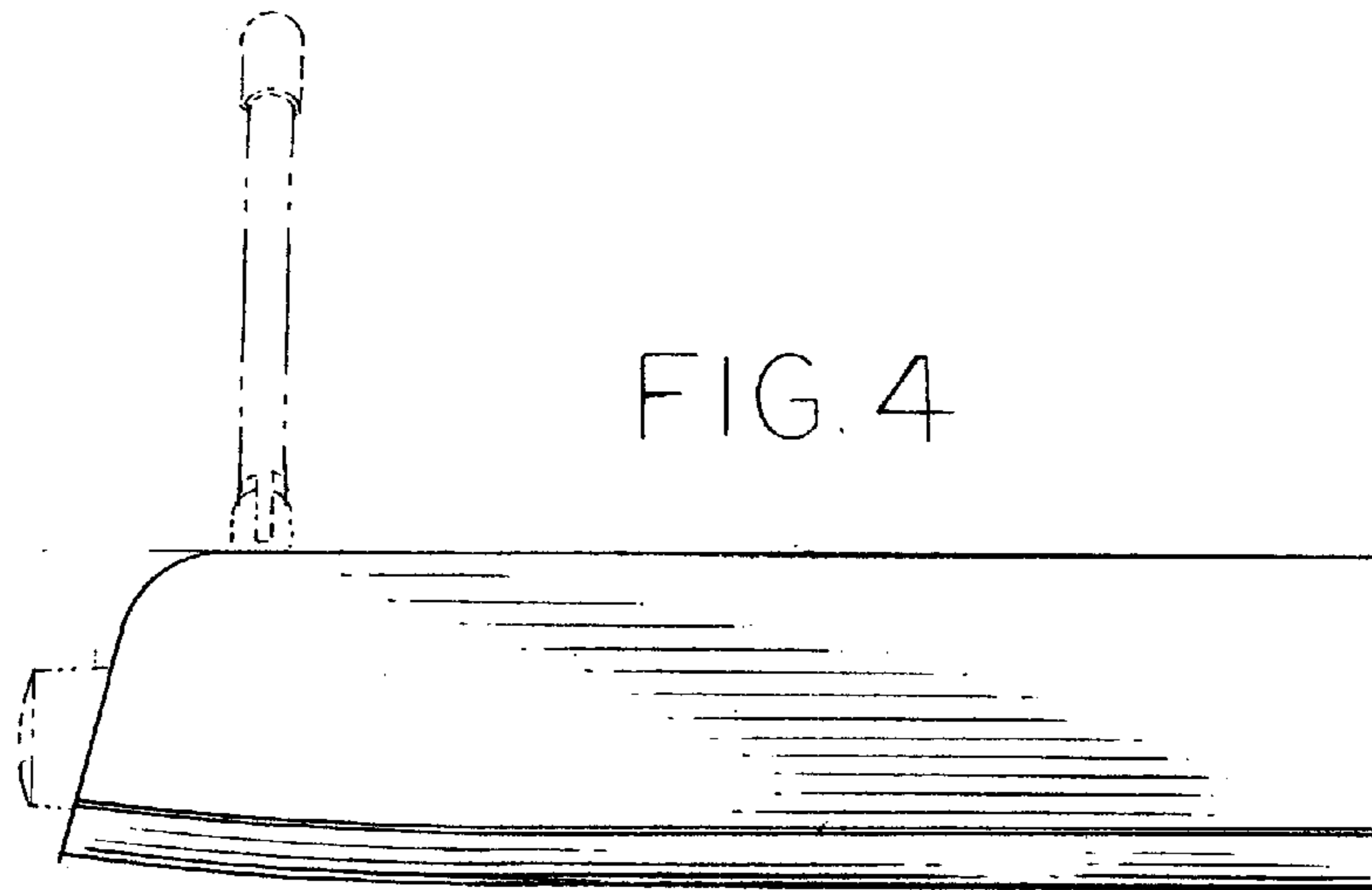
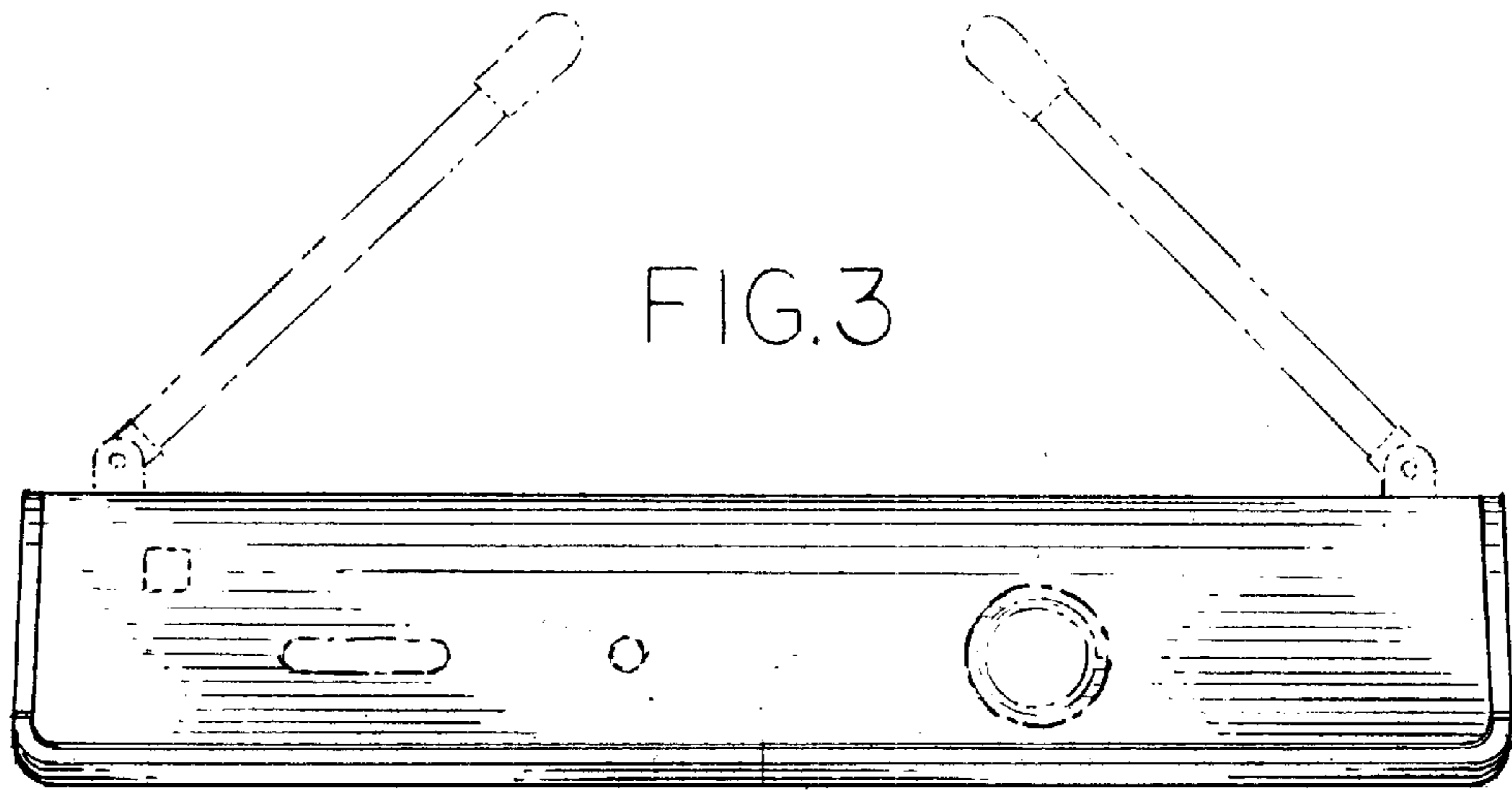


FIG. 2





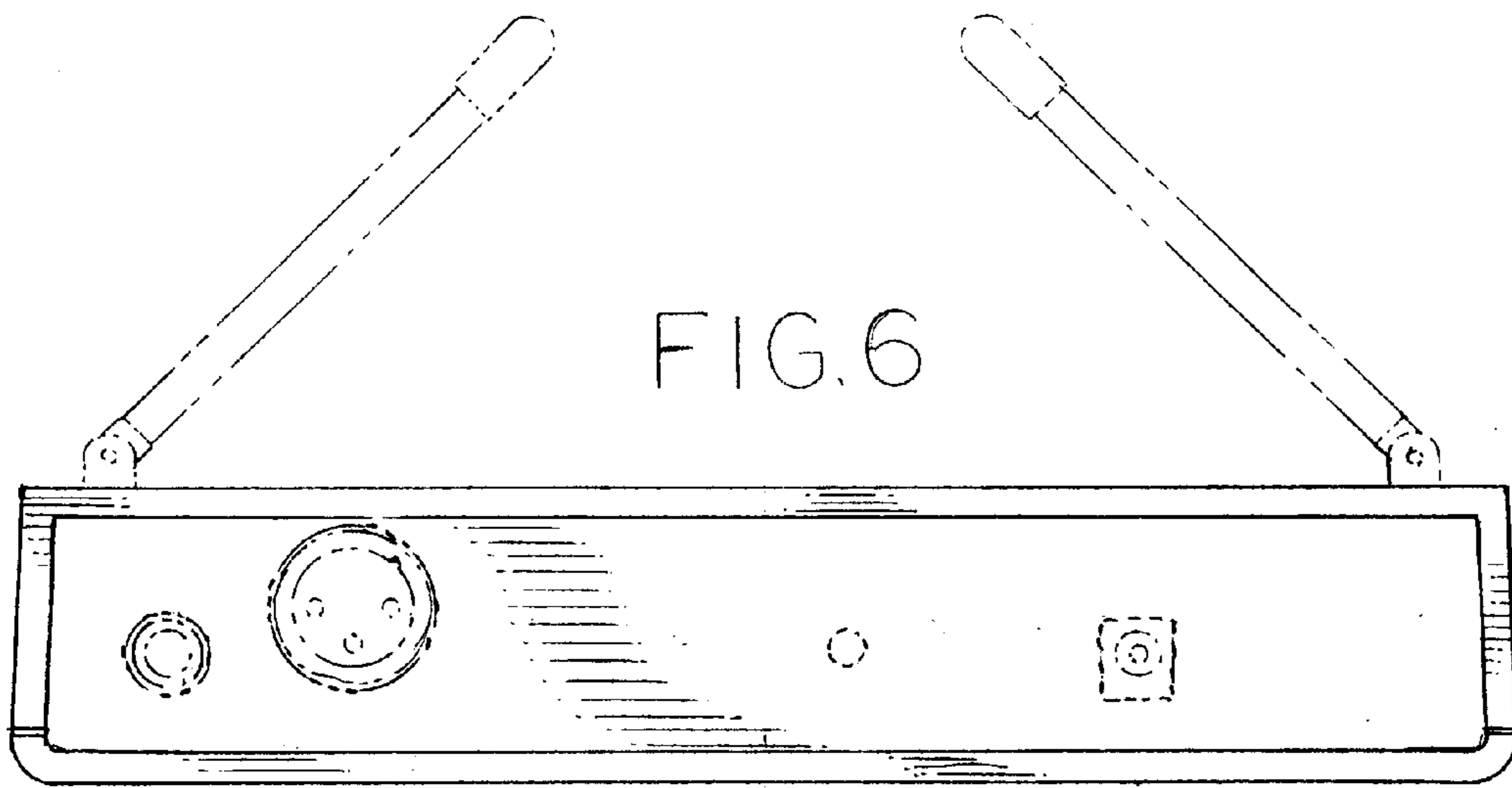


FIG. 7

