



US00D477300S

(12) **United States Design Patent**
Goodwin

(10) **Patent No.:** **US D477,300 S**

(45) **Date of Patent:** **** Jul. 15, 2003**

(54) **PICTURE FRAME HAVING A RECORDING AND PLAYBACK DEVICE**

(75) Inventor: **Gerald L. Goodwin**, New York, NY (US)

(73) Assignee: **Framestoremember.com LLC**, New York, NY (US)

(**) Term: **14 Years**

(21) Appl. No.: **29/149,288**

(22) Filed: **Oct. 5, 2001**

(51) **LOC (7) Cl.** **14-01**

(52) **U.S. Cl.** **D14/168; D14/217; D6/300**

(58) **Field of Search** **D6/300, 310, 311; D14/160-168, 188, 217, 299; 40/455, 508, 513, 717; 360/1-2; 396/312, 429, 544**

(56) **References Cited**

U.S. PATENT DOCUMENTS

3,857,191	A	*	12/1974	Sadorus	360/2
D289,530	S	*	4/1987	Arrington	D14/168
5,359,374	A	*	10/1994	Schwartz	40/455
5,520,544	A	*	5/1996	Manico et al.	281/31
5,574,519	A	*	11/1996	Manico et al.	360/1
D379,458	S	*	5/1997	Muller et al.	D14/168
5,794,371	A	*	8/1998	Camillery	40/455
D437,590	S	*	2/2001	Girt et al.	D14/168

* cited by examiner

Primary Examiner—Nanda Bondade
(74) *Attorney, Agent, or Firm*—Darby & Darby

(57) **CLAIM**

The ornamental design for the picture frame having a recording and playback device, as shown and described.

DESCRIPTION

FIG. 1 is a perspective view of picture frame having a recording and playback device, showing my new design; FIG. 2 is another perspective view of the frame having a recording and playback device shown in FIG. 1, but with a different environment shown in broken lines;

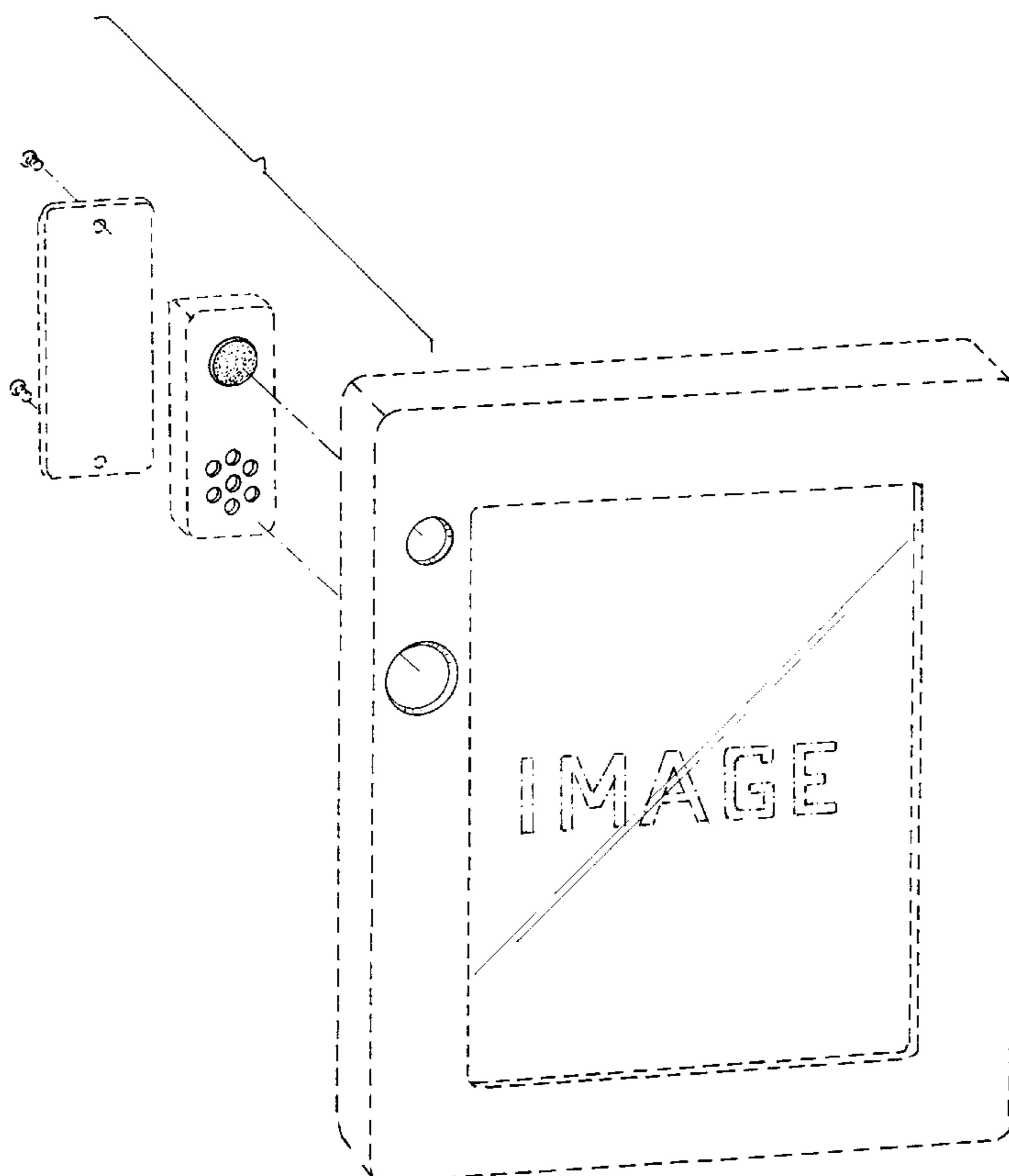
FIG. 3 is an exploded perspective view of the frame having a recording and playback device shown in FIG. 1;

FIG. 4 is a front view of the frame having a recording and playback device shown in FIG. 1; and,

FIG. 5 is a front view of the frame having a recording and playback device shown in FIG. 1, illustrating another embodiment of the openings in the frame.

The broken lines shown in the Figures, including the pedestal, the recording and playback cover plate, and the position and the attachments of the same illustrate the environment only and form no part of the claimed design. The top view, bottom view, right side view, left side view and rear view are disclaimed.

1 Claim, 3 Drawing Sheets



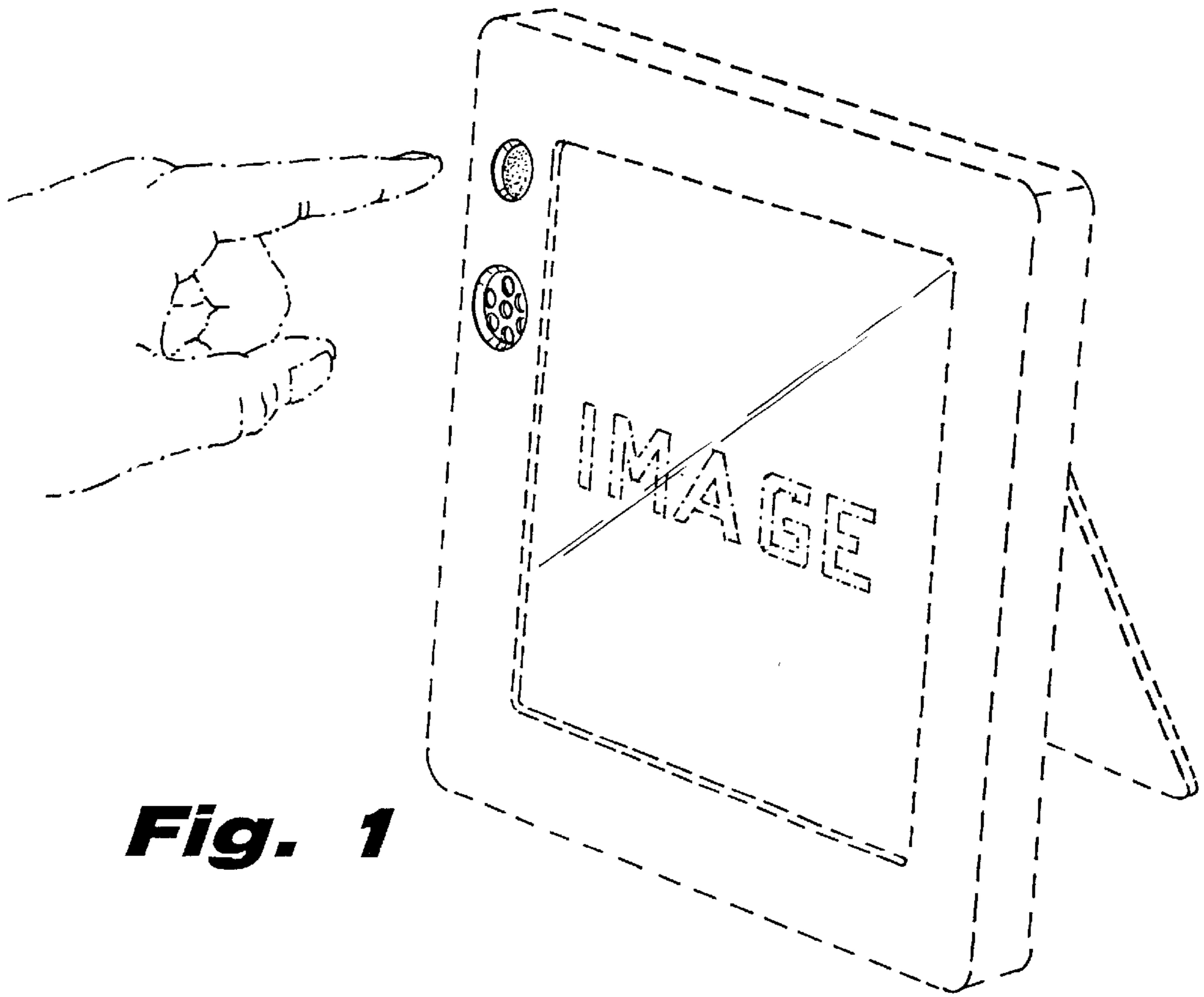


Fig. 1

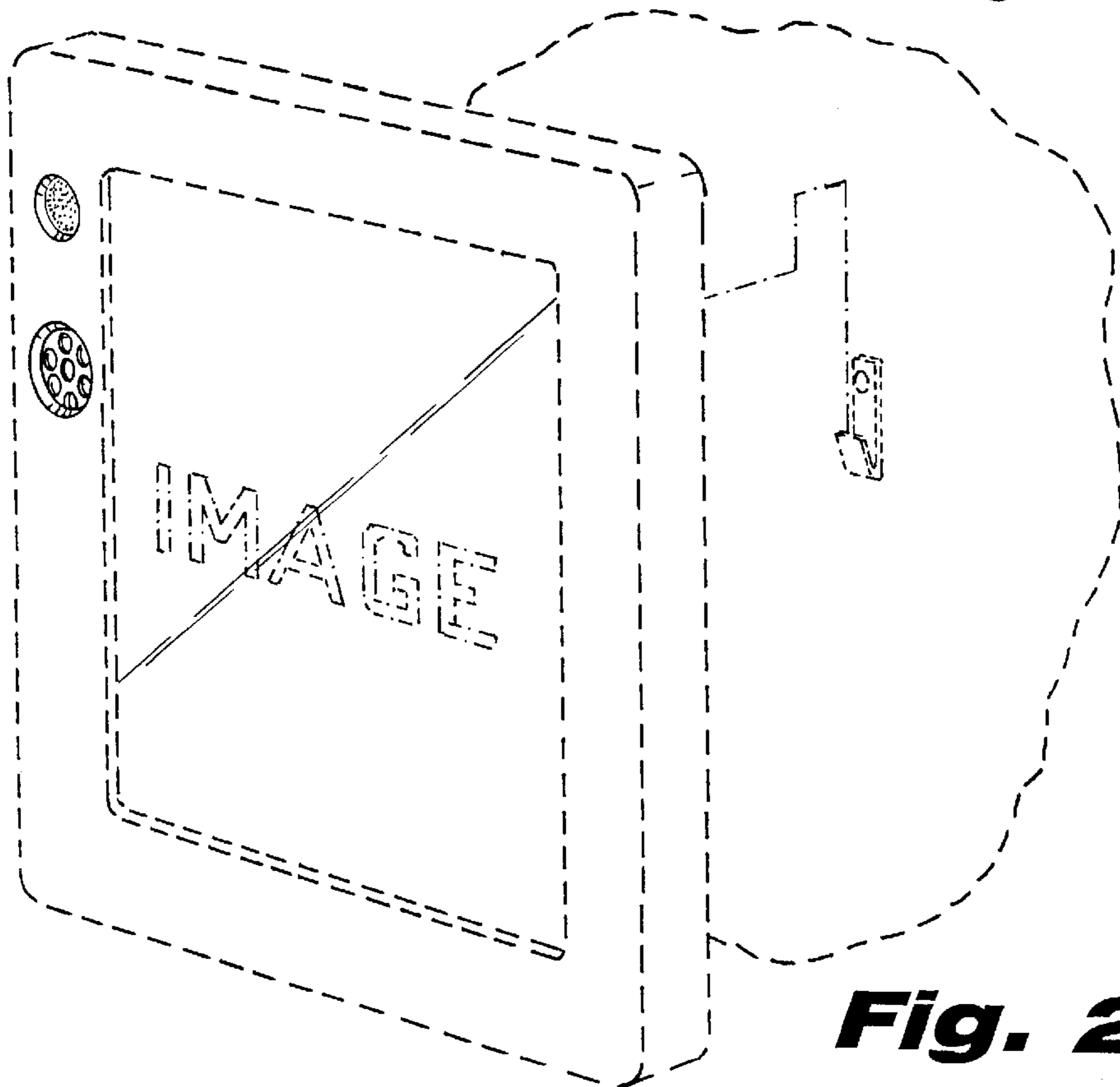


Fig. 2

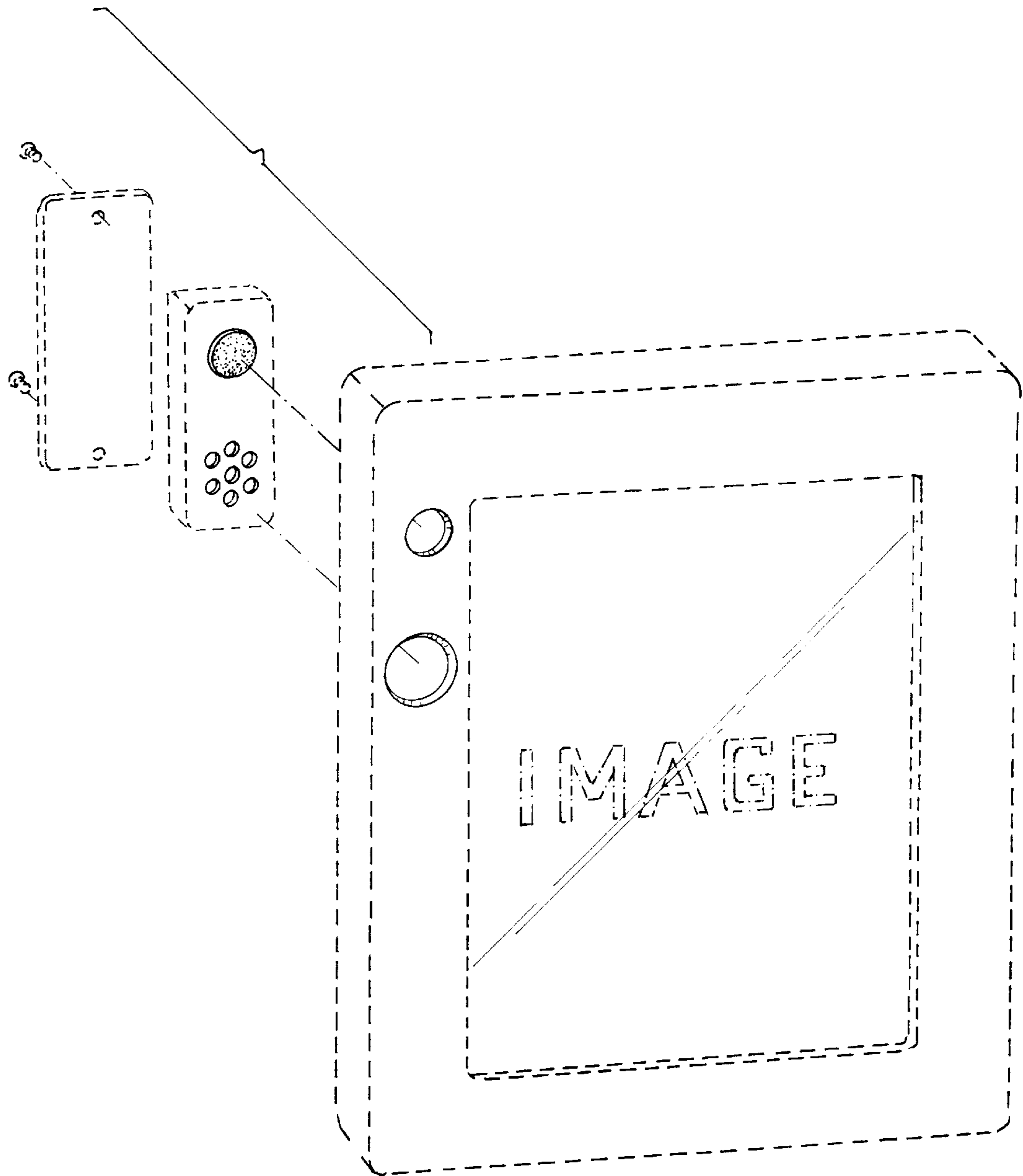


Fig. 3

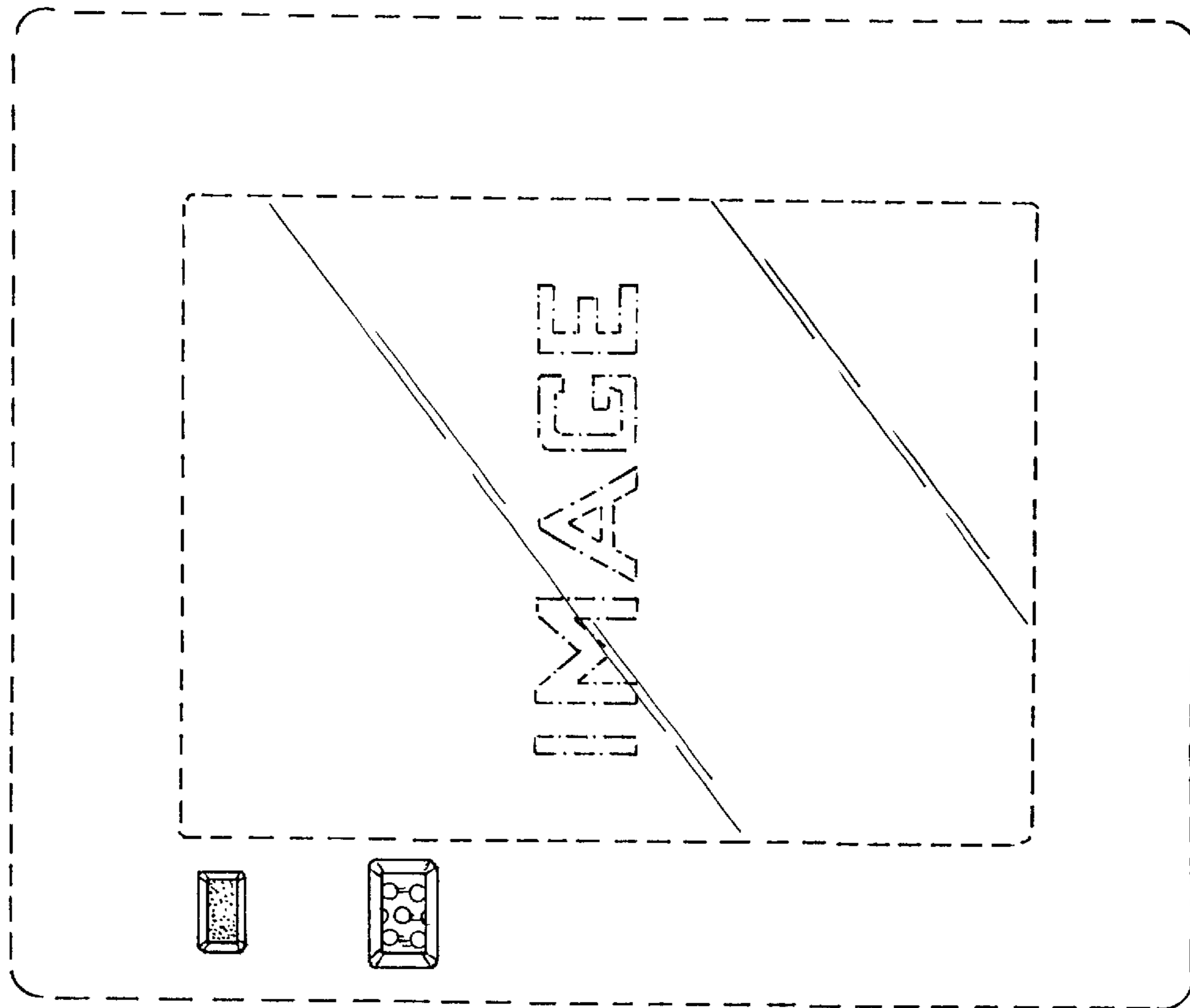


Fig. 5

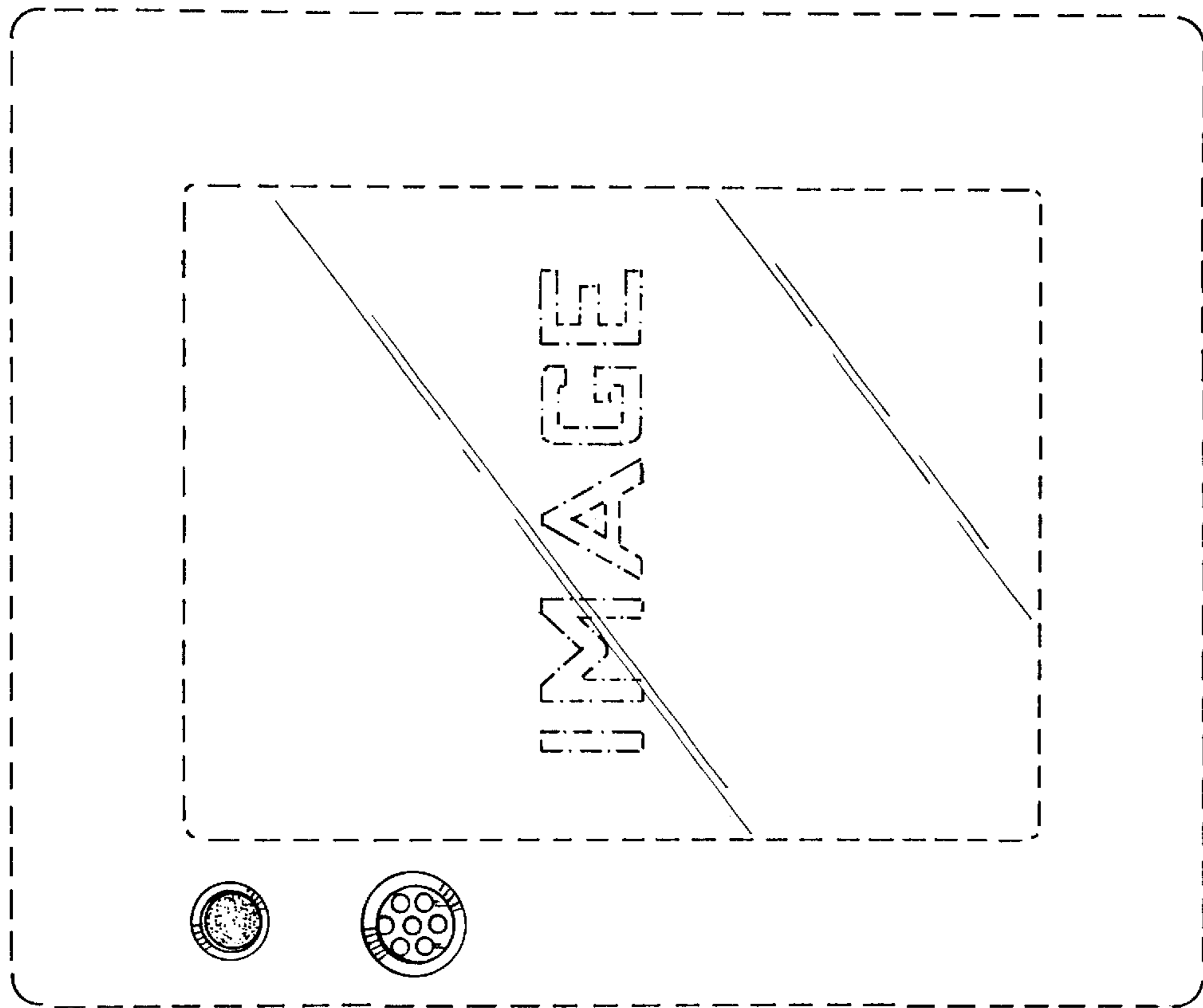


Fig. 4