



US00D477299S

(12) **United States Design Patent**
Kobayashi

(10) **Patent No.:** **US D477,299 S**

(45) **Date of Patent:** **** *Jul. 15, 2003**

(54) **COMBINED TAPE PLAYER, DISC PLAYER AND RADIO RECEIVER**

(75) Inventor: **Takayuki Kobayashi**, Tokyo (JP)

(73) Assignee: **Sony Corporation**, Tokyo (JP)

(*) Notice: This patent is subject to a terminal disclaimer.

(**) Term: **14 Years**

(21) Appl. No.: **29/101,130**

(22) Filed: **Feb. 24, 1999**

(51) **LOC (7) Cl.** **14-01**

(52) **U.S. Cl.** **D14/168**

(58) **Field of Search** D14/160-165,
D14/167-168, 188, 193-198; D21/516;
455/344-345, 347, 350-351

(56) **References Cited**

U.S. PATENT DOCUMENTS

D328,746 S	8/1992	Ishibashi et al.	D14/154
D329,850 S *	9/1992	Kang	D14/164
5,146,618 A *	9/1992	Wenner	455/345
D334,191 S	3/1993	Yun	D14/165
D350,753 S	9/1994	Oka	D14/168

FOREIGN PATENT DOCUMENTS

HK	9811380.4	12/1998
JP	H4-460	2/1999

OTHER PUBLICATIONS

Catalog "88"; Sony; Mar. 1998; pp. 100 & 101.
Catalog "90"; Sony; Nov. 1988; pp. 95 & 361.
Sony Style Catalog; CFD-10/Radio/Cassette Player 1993;
Spring/Summer 1993; p. 49.

* cited by examiner

Primary Examiner—Nanda Bondade
(74) *Attorney, Agent, or Firm*—Rader, Fishman & Grauer PLLC

(57) **CLAIM**

The ornamental design for a combined tape player, disc player and radio receiver, as shown.

DESCRIPTION

FIG. 1 is a perspective view of a first embodiment of a combined tape player, disc player and radio receiver showing my new design;

FIG. 2 is a top plan view thereof;

FIG. 3 is a bottom plan view thereof;

FIG. 4 is a left side elevational view thereof;

FIG. 5 is a right side elevational view thereof;

FIG. 6 is a front elevational view thereof; and

FIG. 7 is a rear elevational view thereof.

FIG. 8 is a perspective view of a second embodiment of a combined tape player, disc player and radio receiver showing my new design;

FIG. 9 is a top plan view thereof;

FIG. 10 is a bottom plan view thereof;

FIG. 11 is a left side elevational view thereof;

FIG. 12 is a right side elevational view thereof;

FIG. 13 is a front elevational view thereof; and,

FIG. 14 is a rear elevational view thereof.

1 Claim, 14 Drawing Sheets

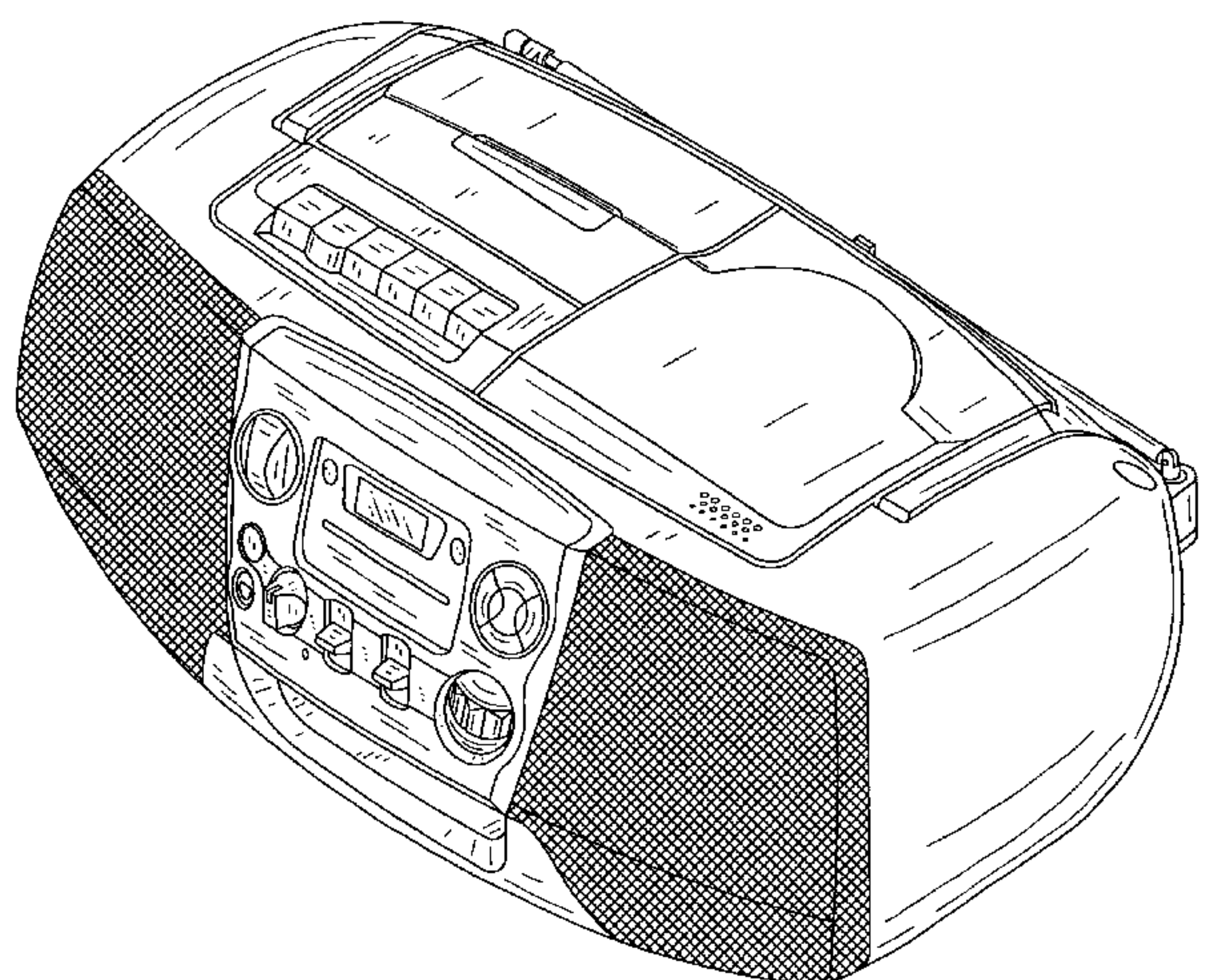
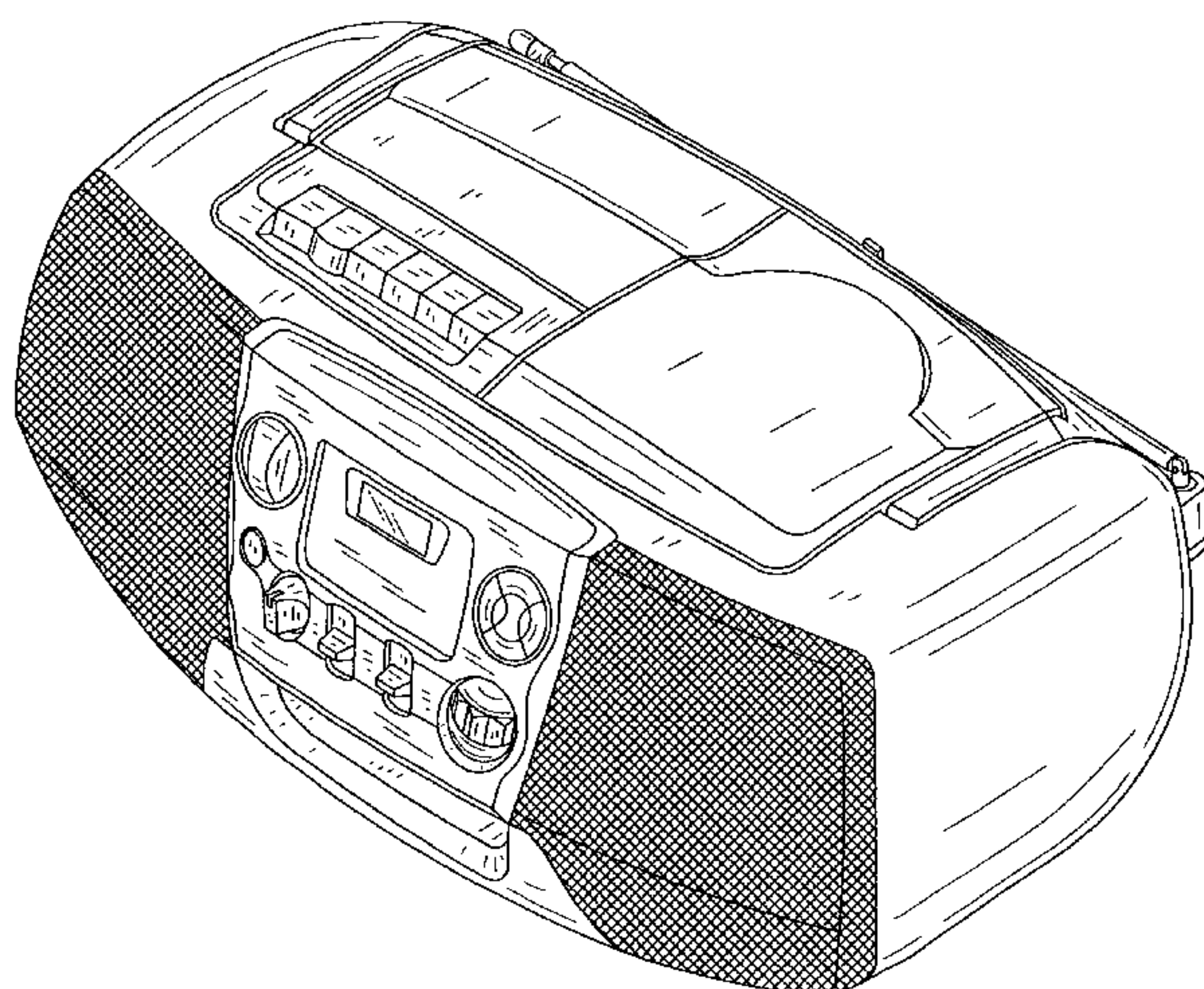


FIG. 1

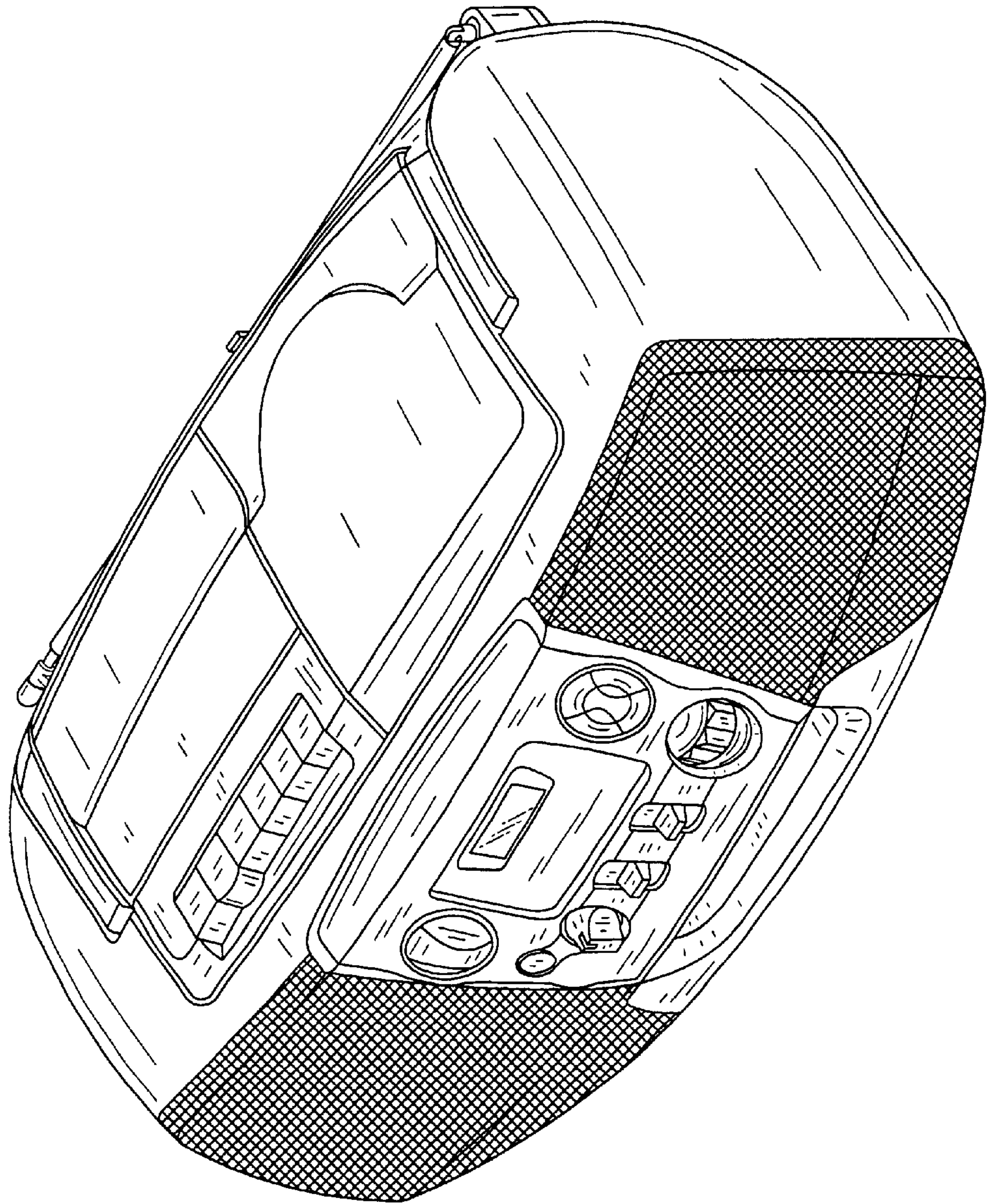


FIG. 2

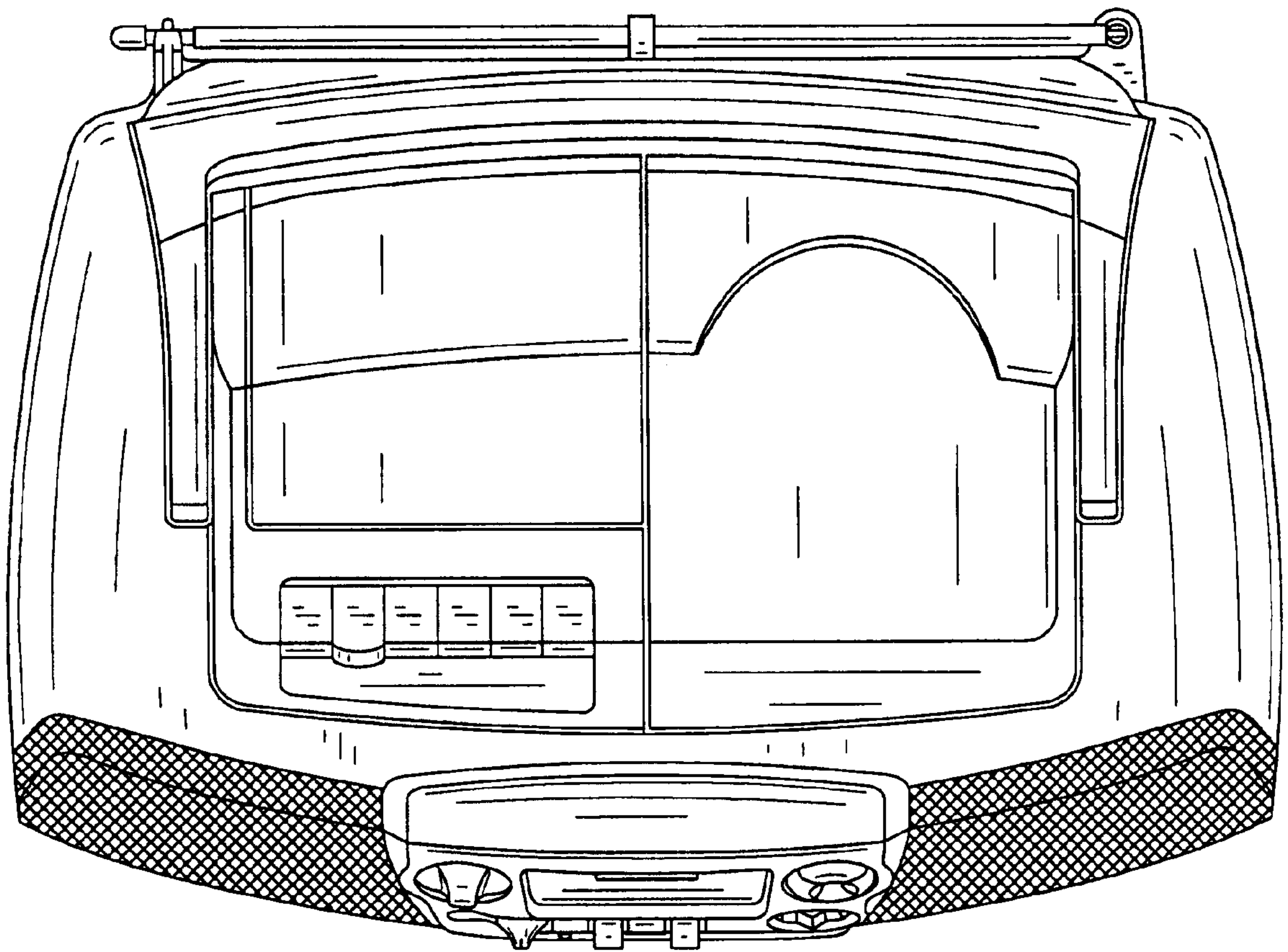


FIG. 3

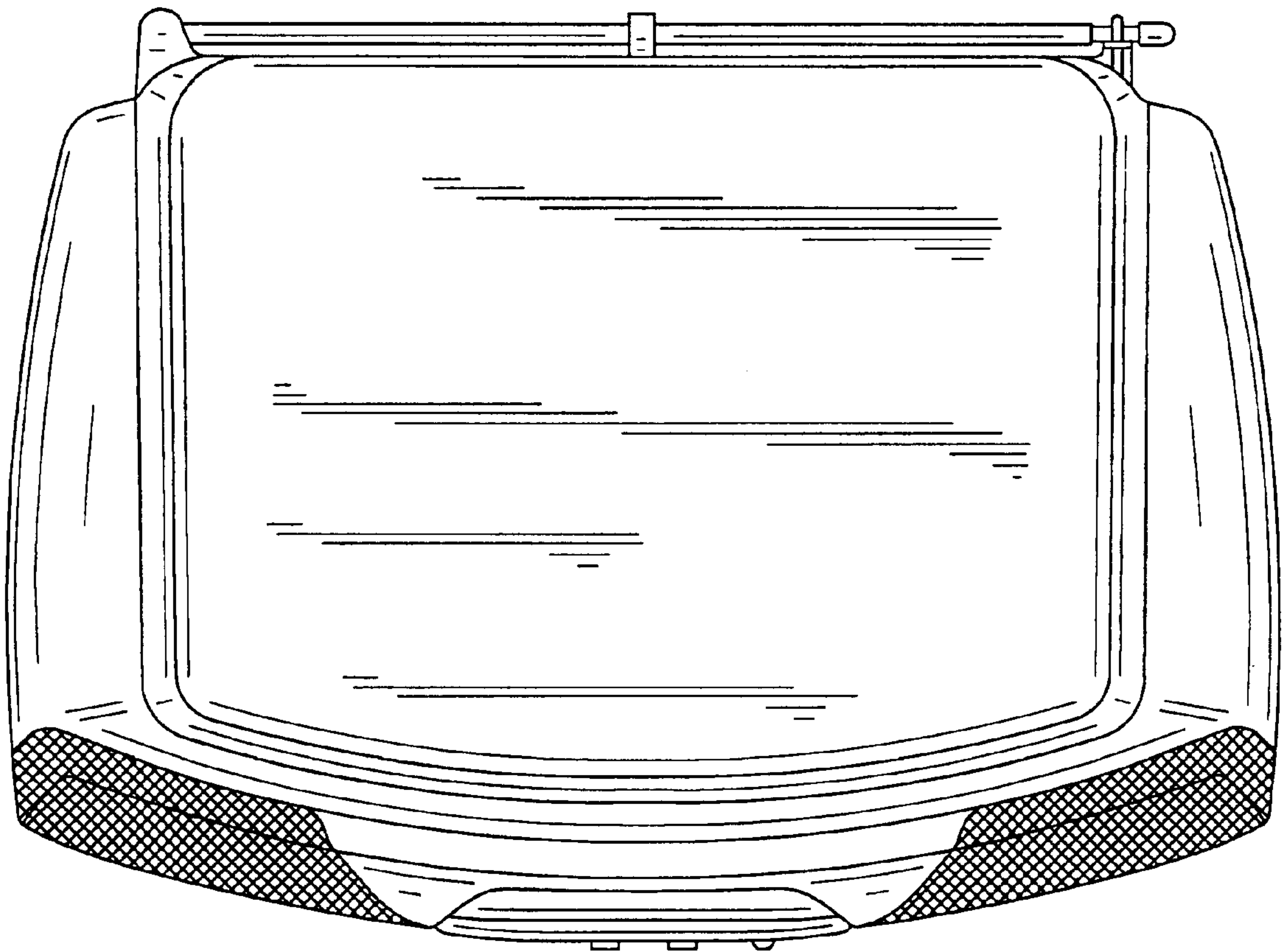


FIG. 4

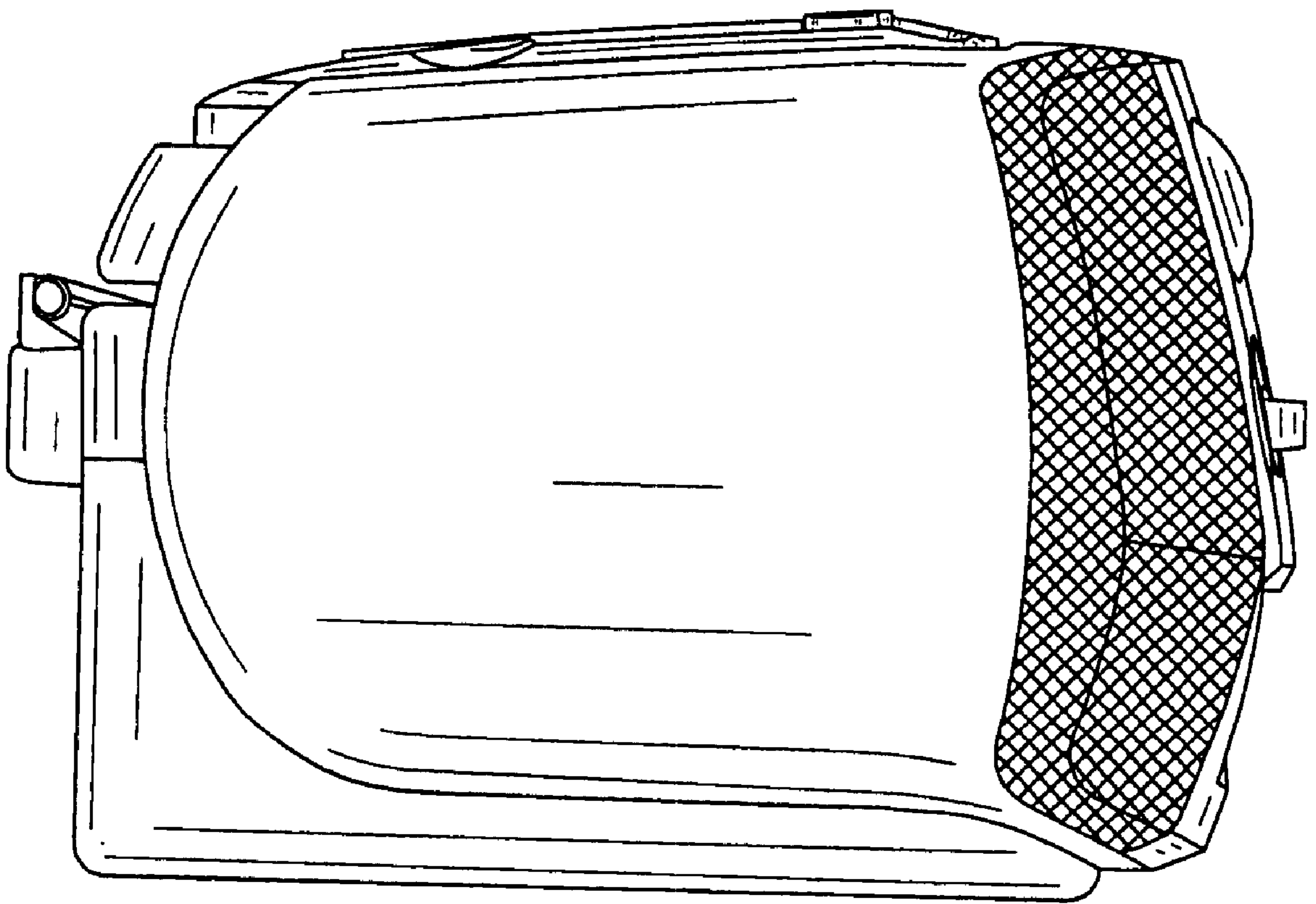


FIG. 5

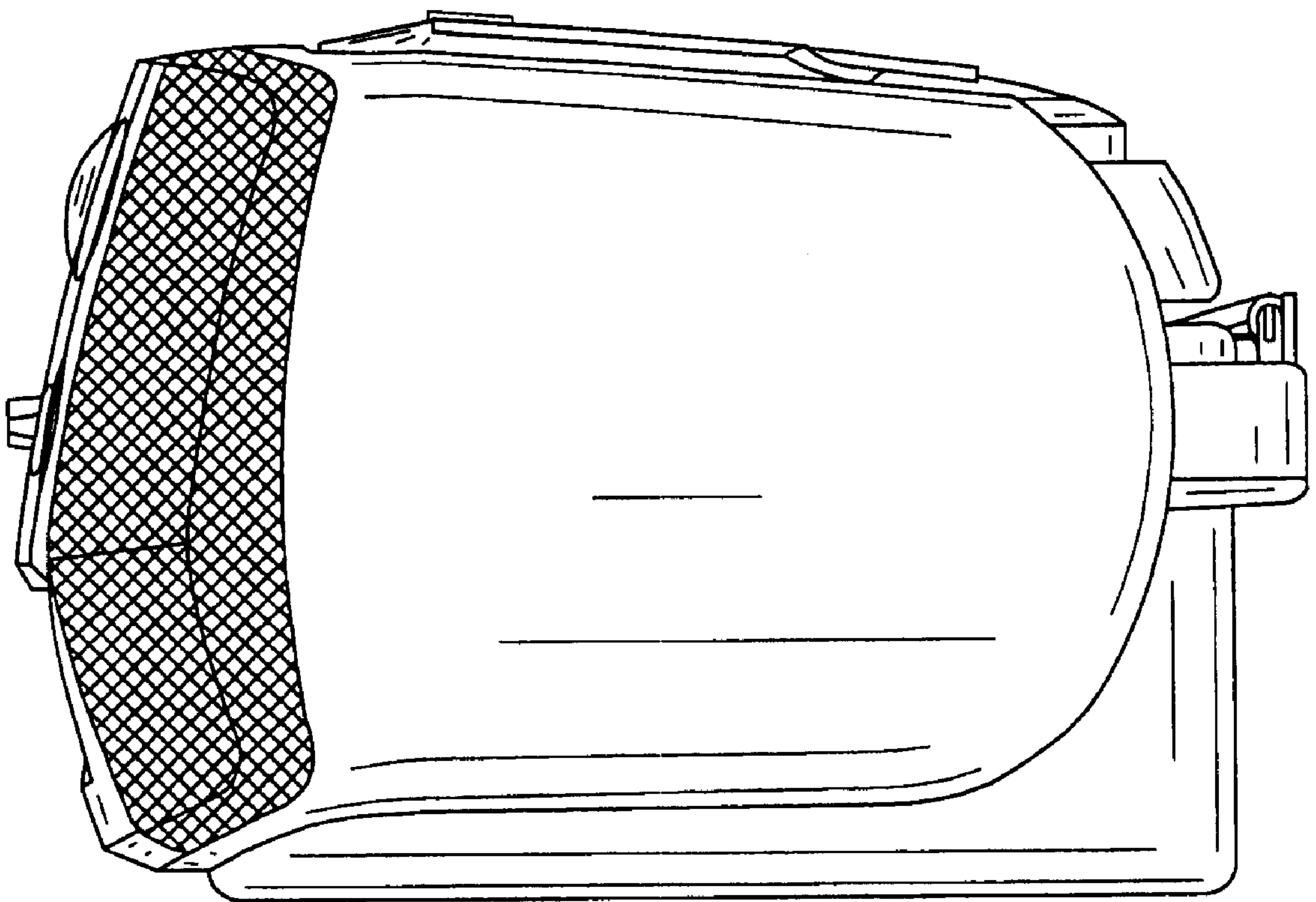


FIG. 6

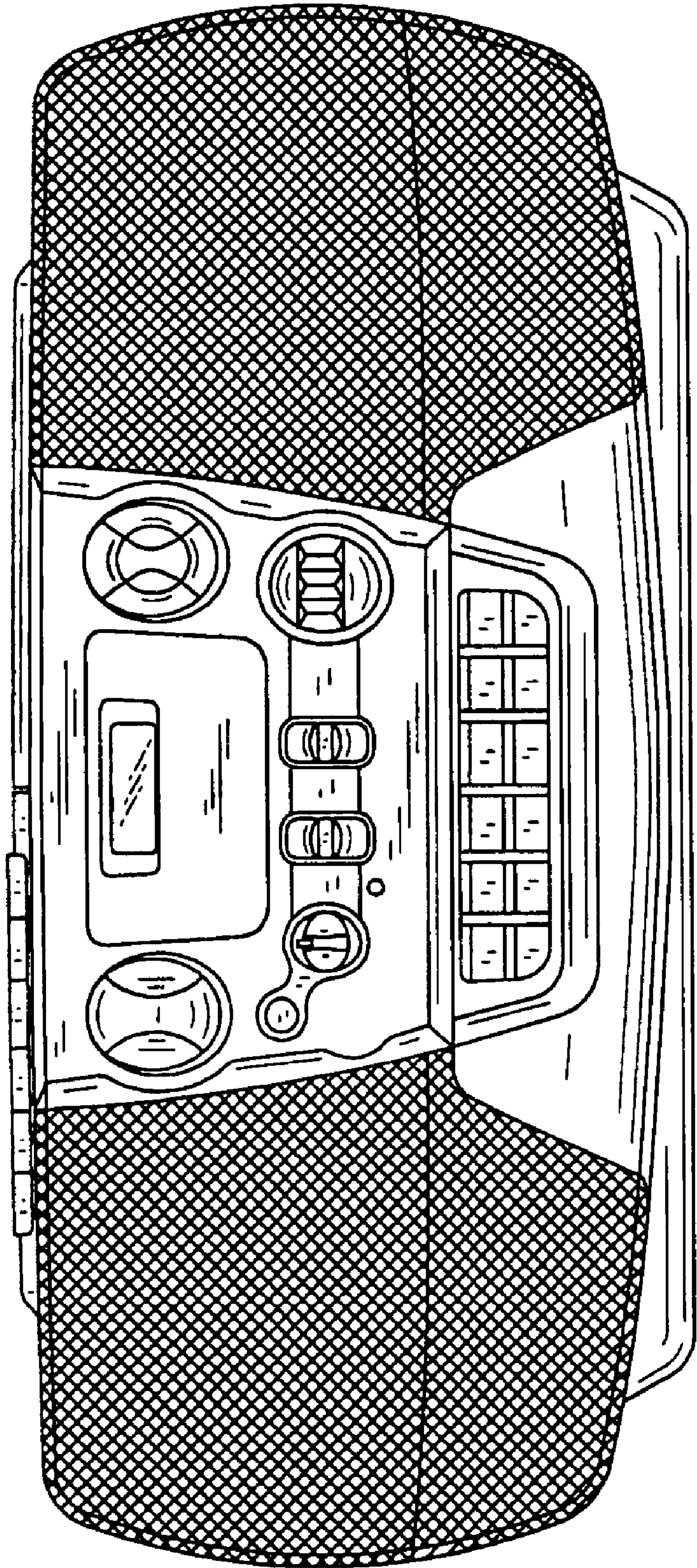


FIG. 7

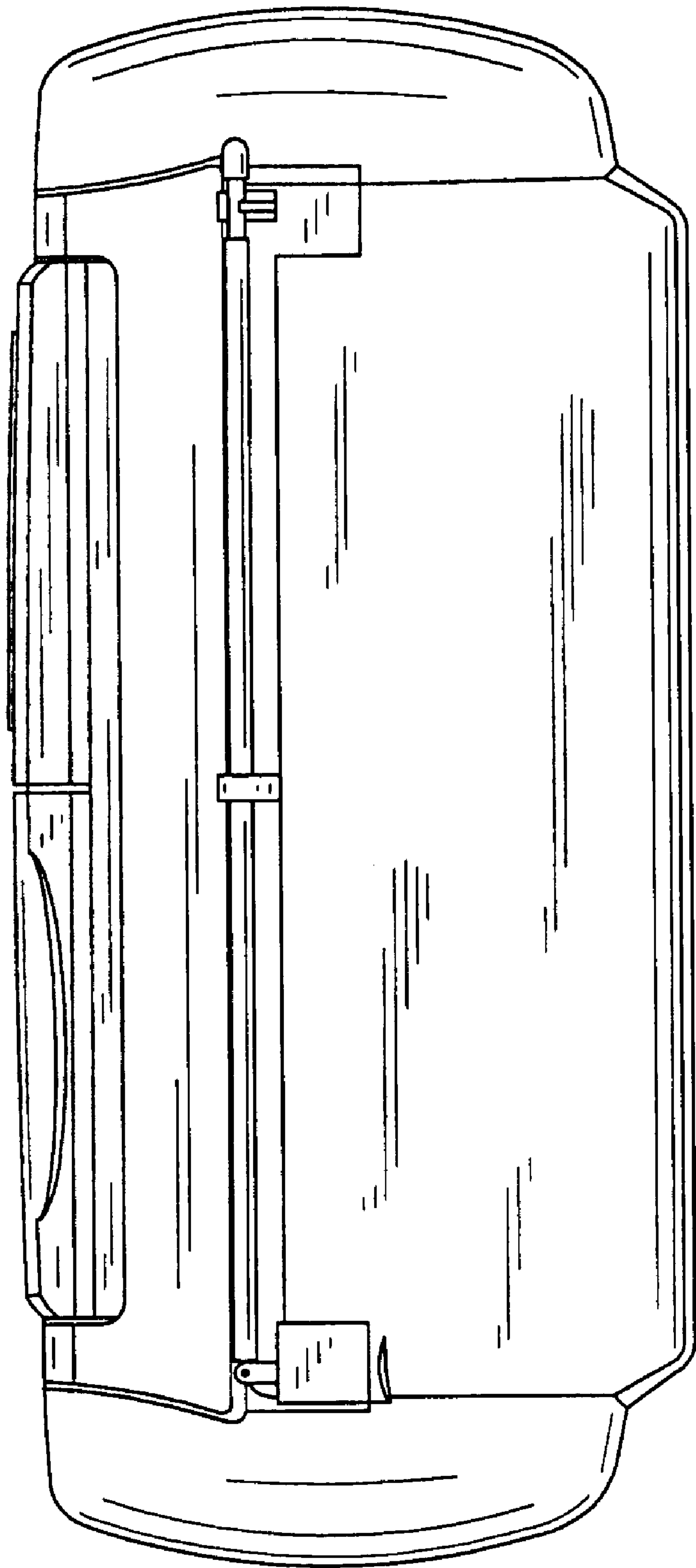


FIG. 8

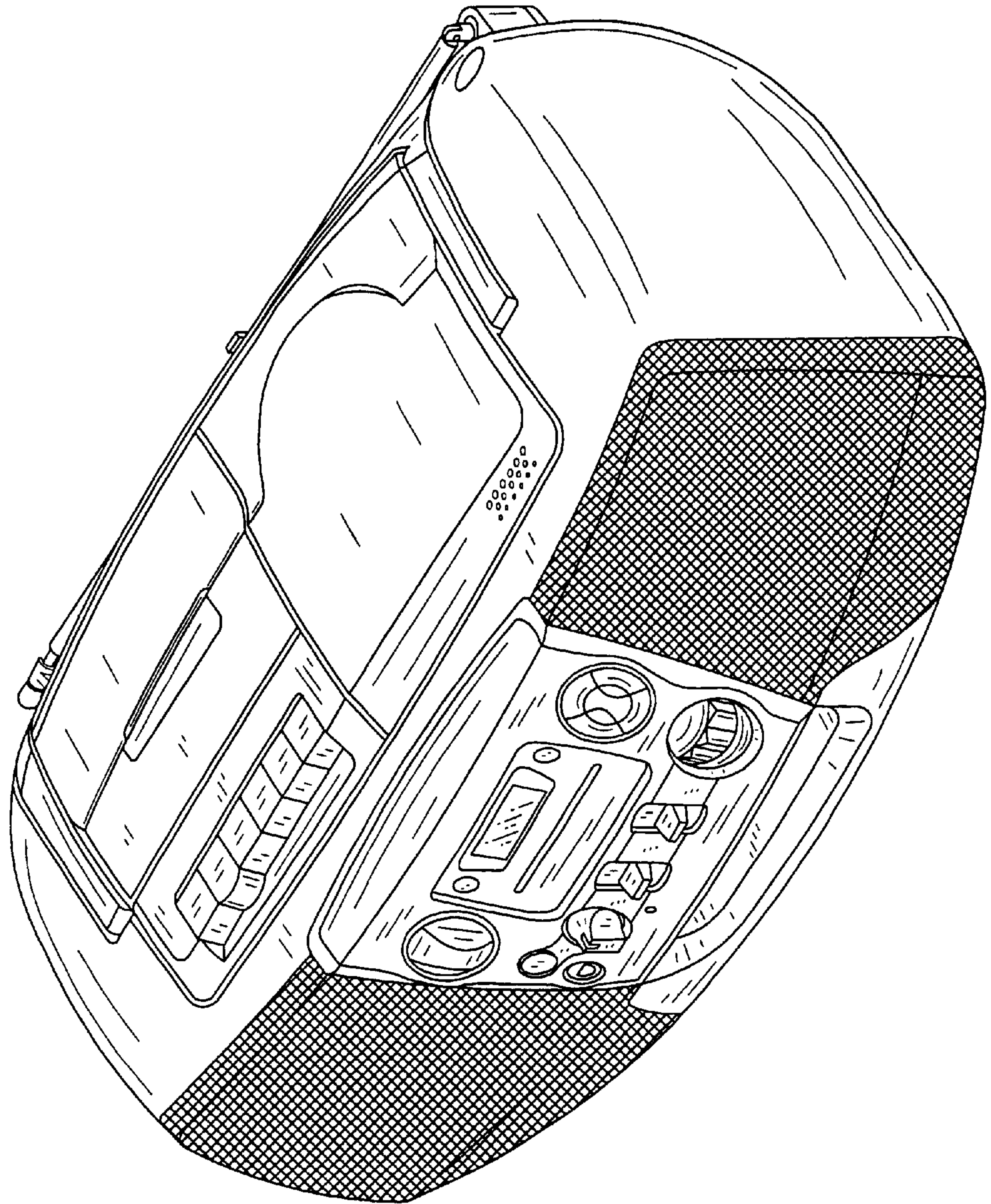


FIG. 9

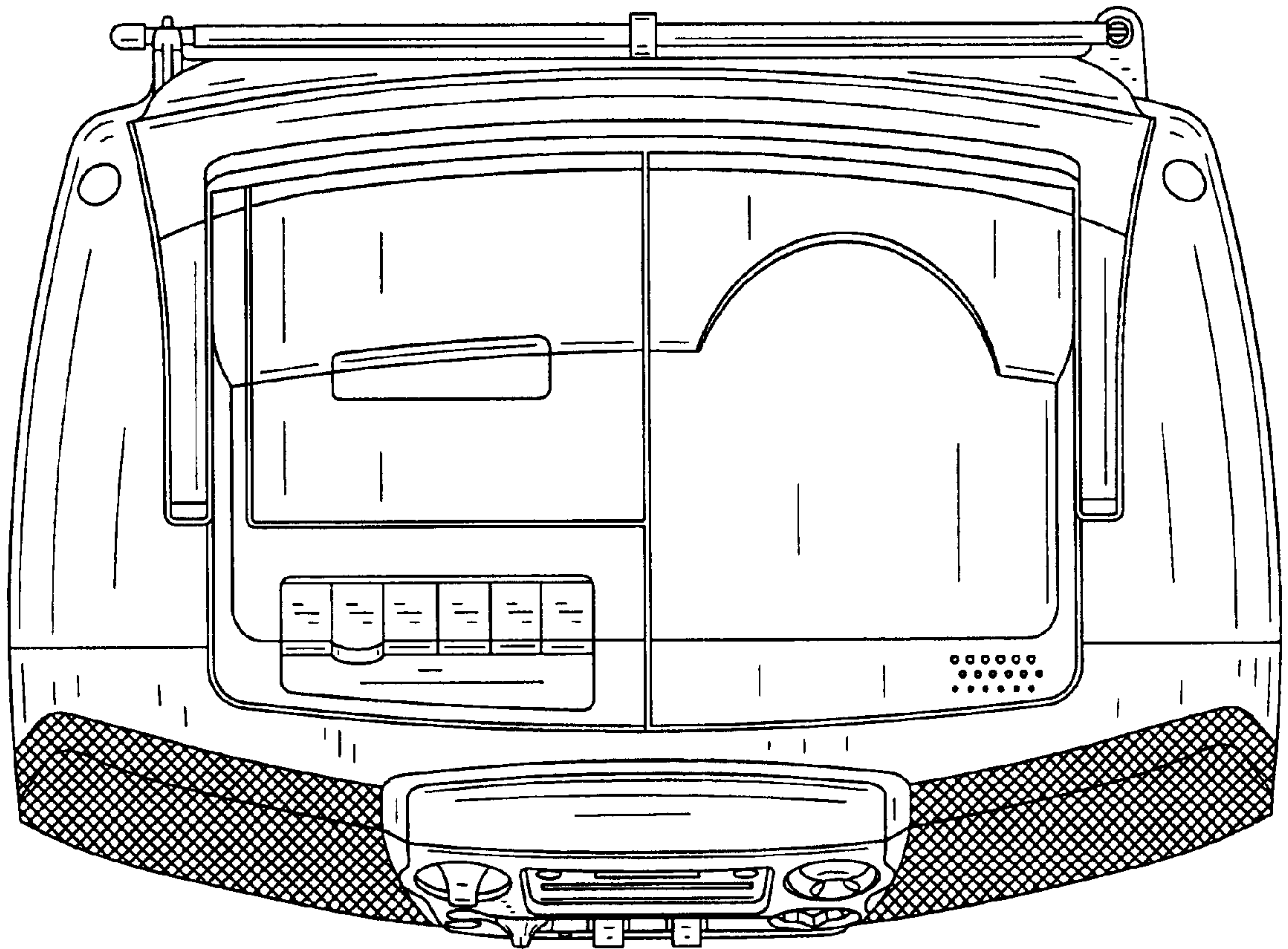


FIG. 10

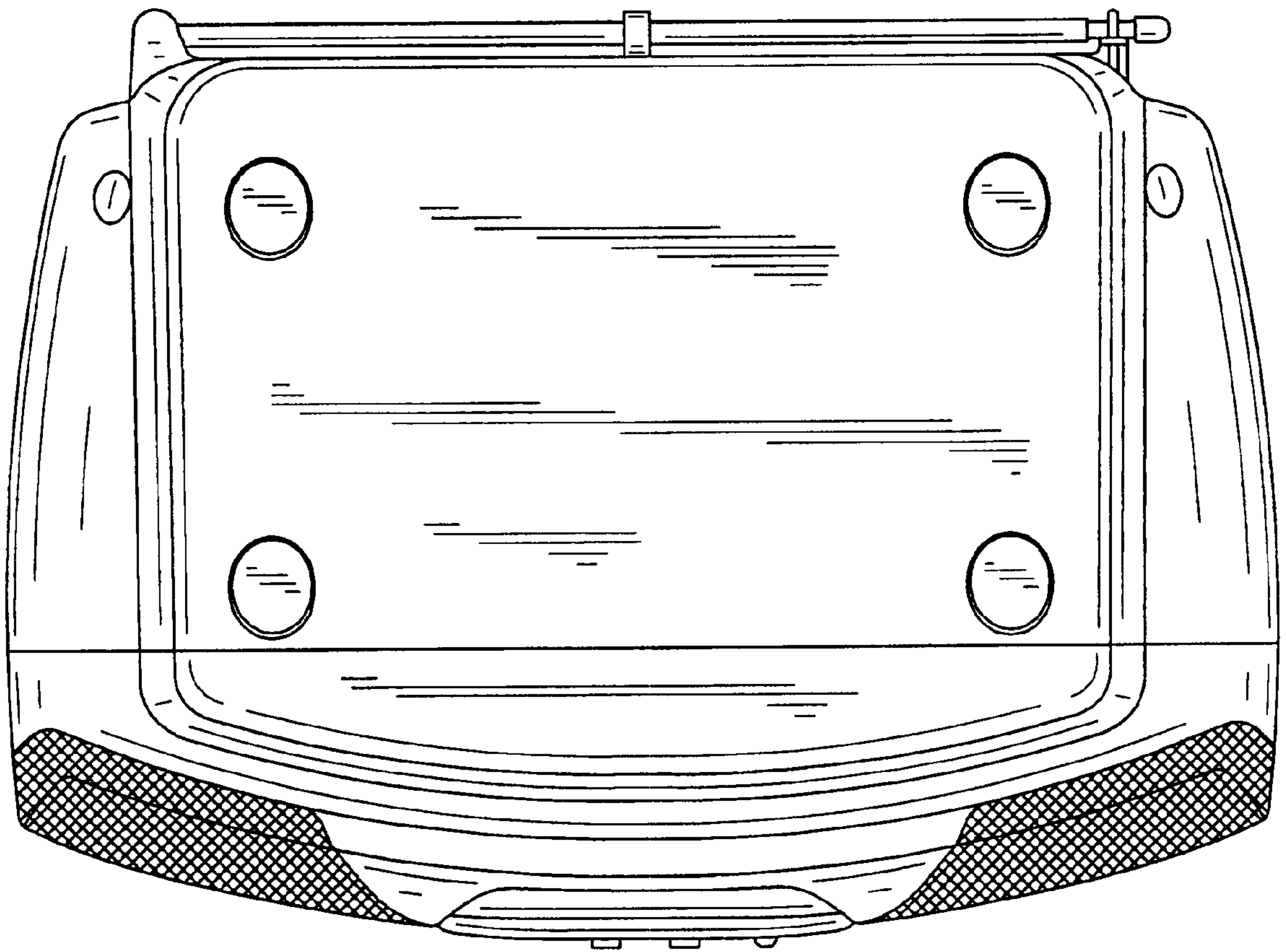


FIG. 11

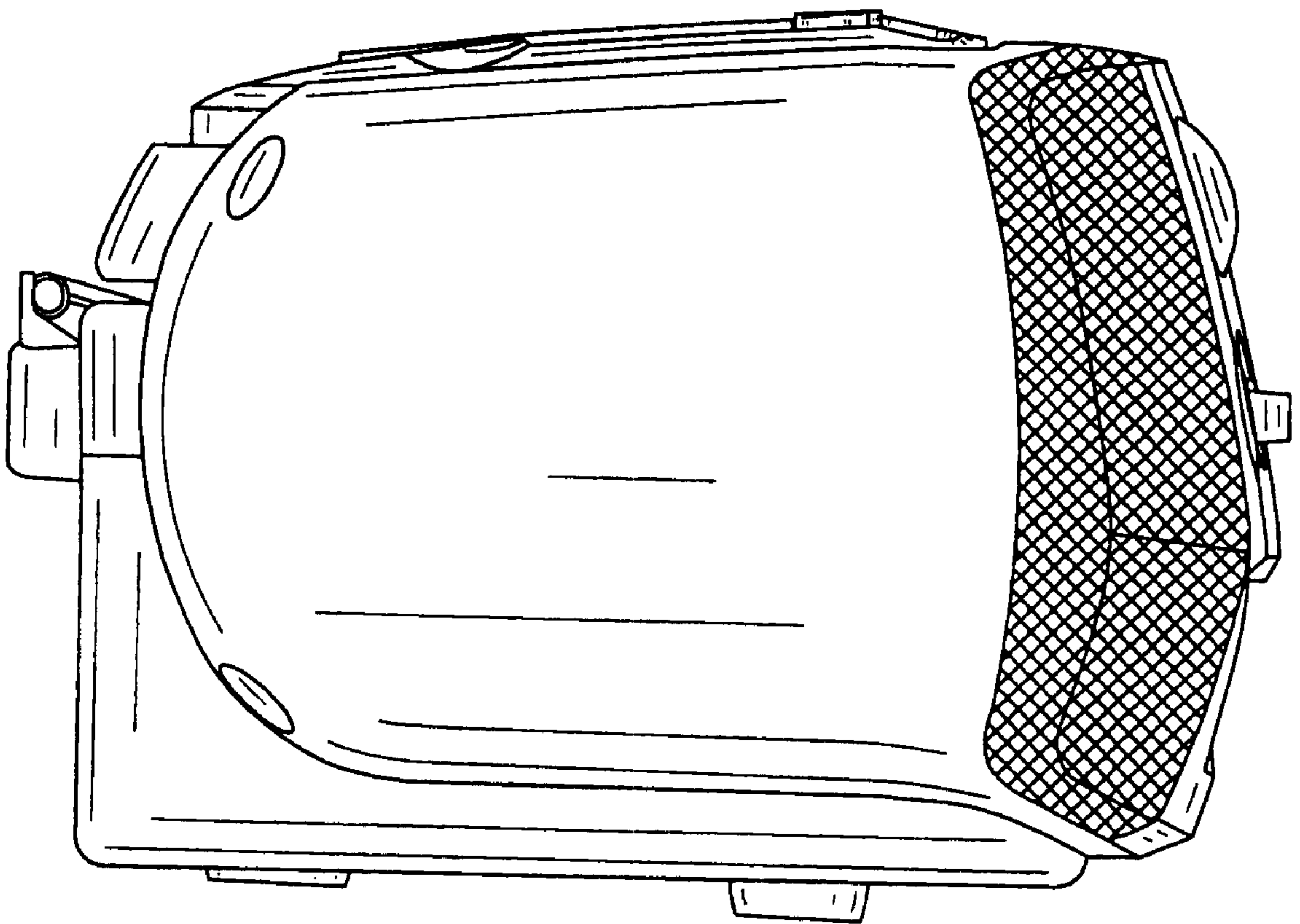


FIG. 12

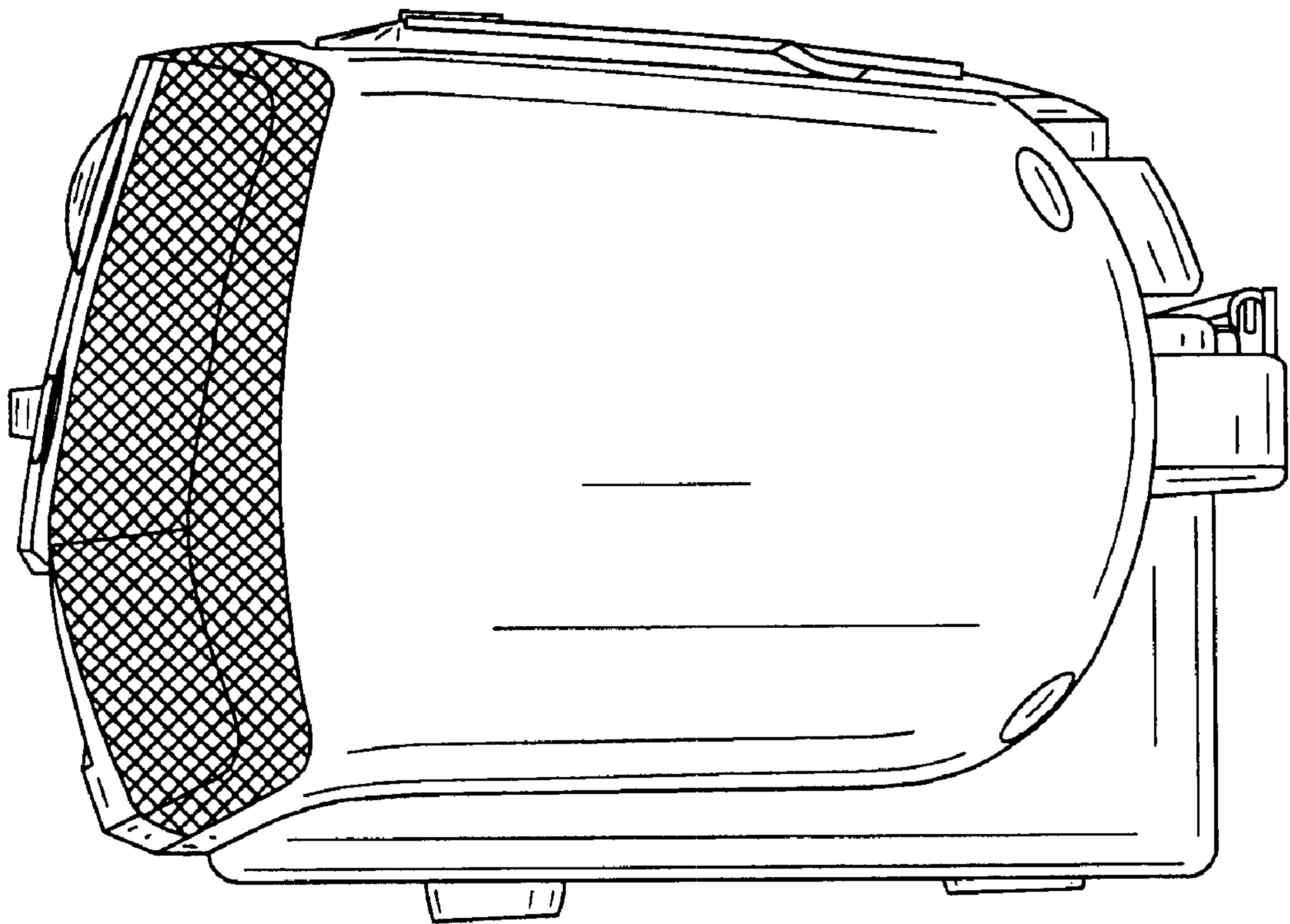


FIG. 13

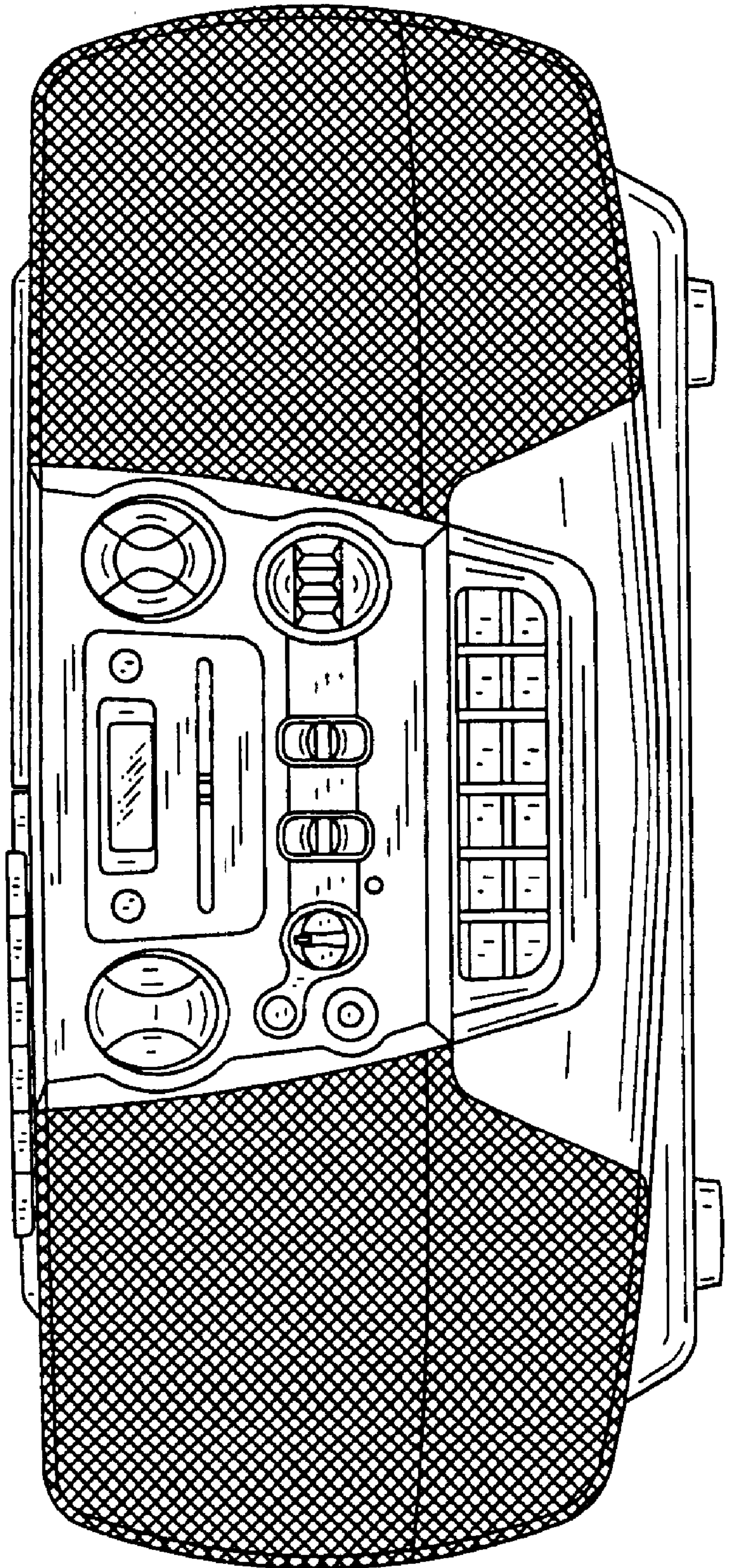


FIG. 14

