



US00D477297S

(12) **United States Design Patent**
Matsuoka

(10) **Patent No.:** **US D477,297 S**

(45) **Date of Patent:** **** Jul. 15, 2003**

(54) **DISC PLAYER**

(75) Inventor: **Yoshimichi Matsuoka**, Tokyo (JP)

(73) Assignee: **Sony Corporation**, Tokyo (JP)

(**) Term: **14 Years**

(21) Appl. No.: **29/164,418**

(22) Filed: **Jul. 25, 2002**

(51) **LOC (7) Cl.** **14-01**

(52) **U.S. Cl.** **D14/156**

(58) **Field of Search** D14/135-136,
D14/156-157, 160-165, 167-168, 188,
193-198; 369/75.1, 75.2, 77.1, 77.2; 455/344,
347-351

(56) **References Cited**

U.S. PATENT DOCUMENTS

D352,712 S	*	11/1994	Wada	D14/156
D432,514 S	*	10/2000	Nakamura et al.	D14/156
D451,490 S	*	12/2001	Martres	D14/156
D458,243 S	*	6/2002	Kobayashi	D14/156

OTHER PUBLICATIONS

Web page "Sony consumer electronics guide, D-E220,"
<http://www.sel.sony.com/SEL/consumer/ss5/home.cdwalkmanrtm.coreline.d-e220.shtml>, 1 sheet, SONY
(Jan. 2002).

* cited by examiner

Primary Examiner—Nanda Bondade

(74) *Attorney, Agent, or Firm*—Rader, Fishman & Grauer
PLLC

(57) **CLAIM**

The ornamental design for a disc player, as shown.

DESCRIPTION

FIG. 1 is a perspective view of a disc player showing my new design;
FIG. 2 is a front elevational view thereof;
FIG. 3 is a rear elevational view thereof;
FIG. 4 is a left side elevational view thereof;
FIG. 5 is a right side elevational view thereof;
FIG. 6 is a top plan view thereof; and,
FIG. 7 is a bottom plan view thereof.

1 Claim, 4 Drawing Sheets

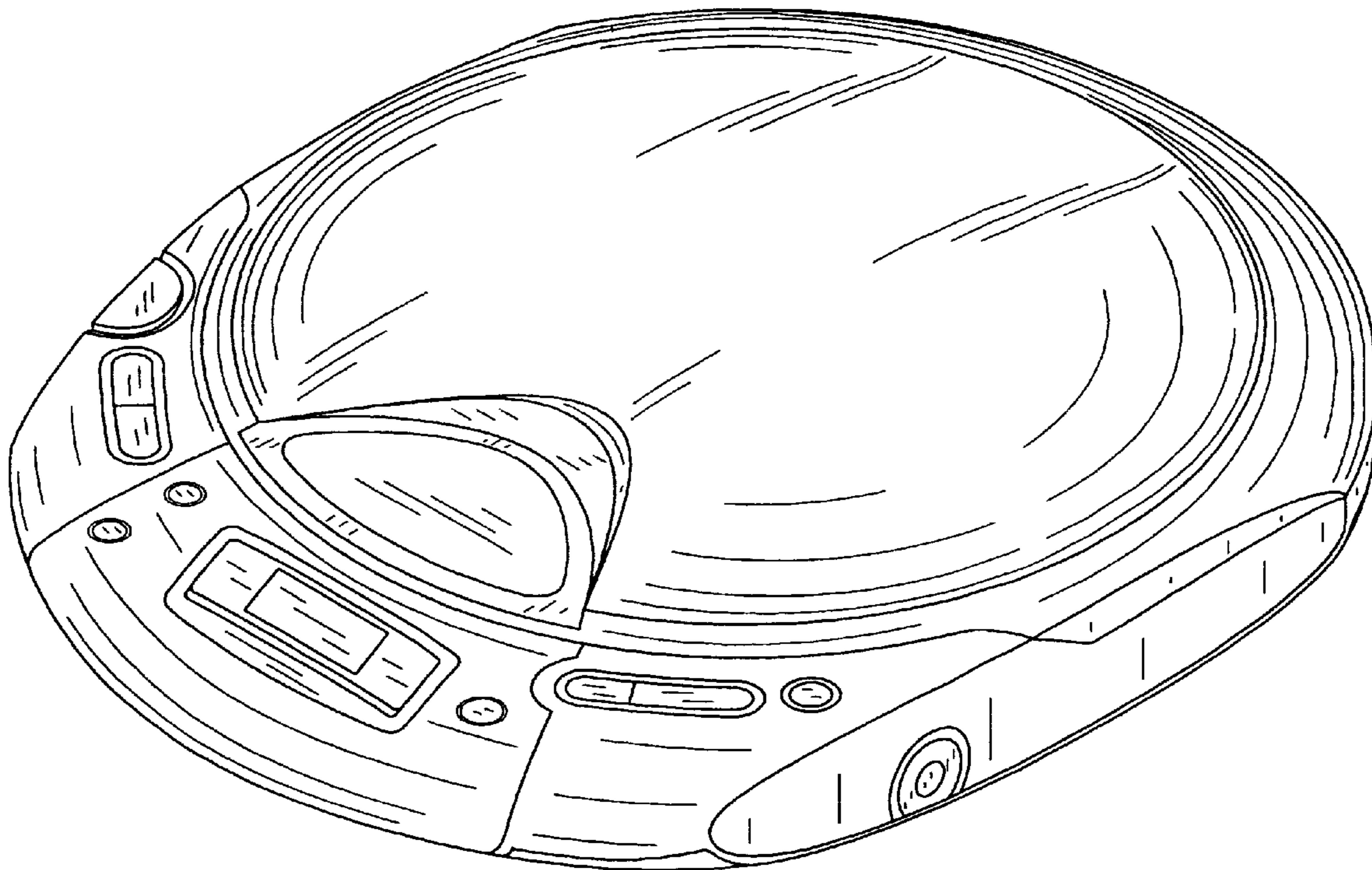


FIG. 1

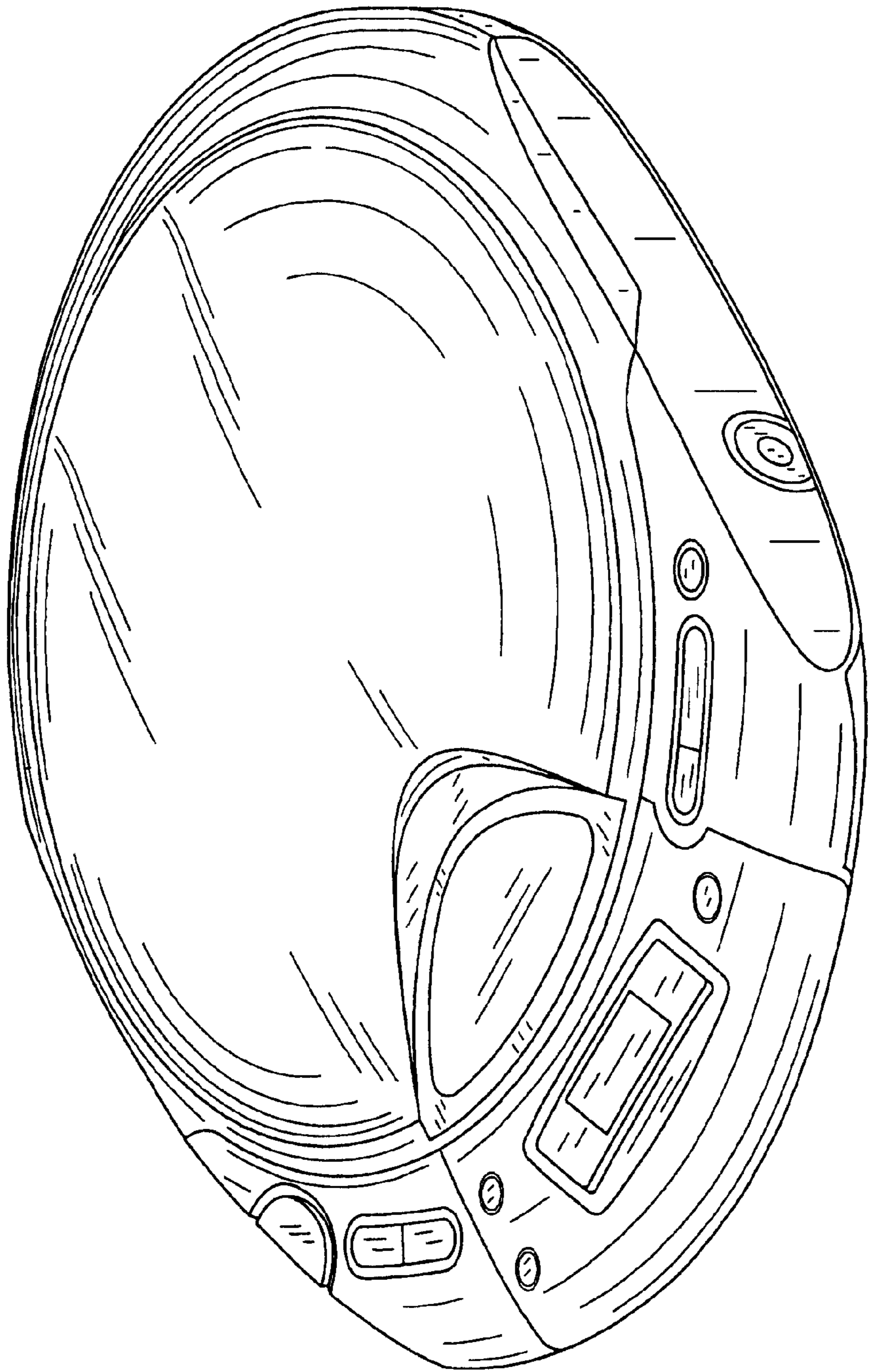


FIG. 3

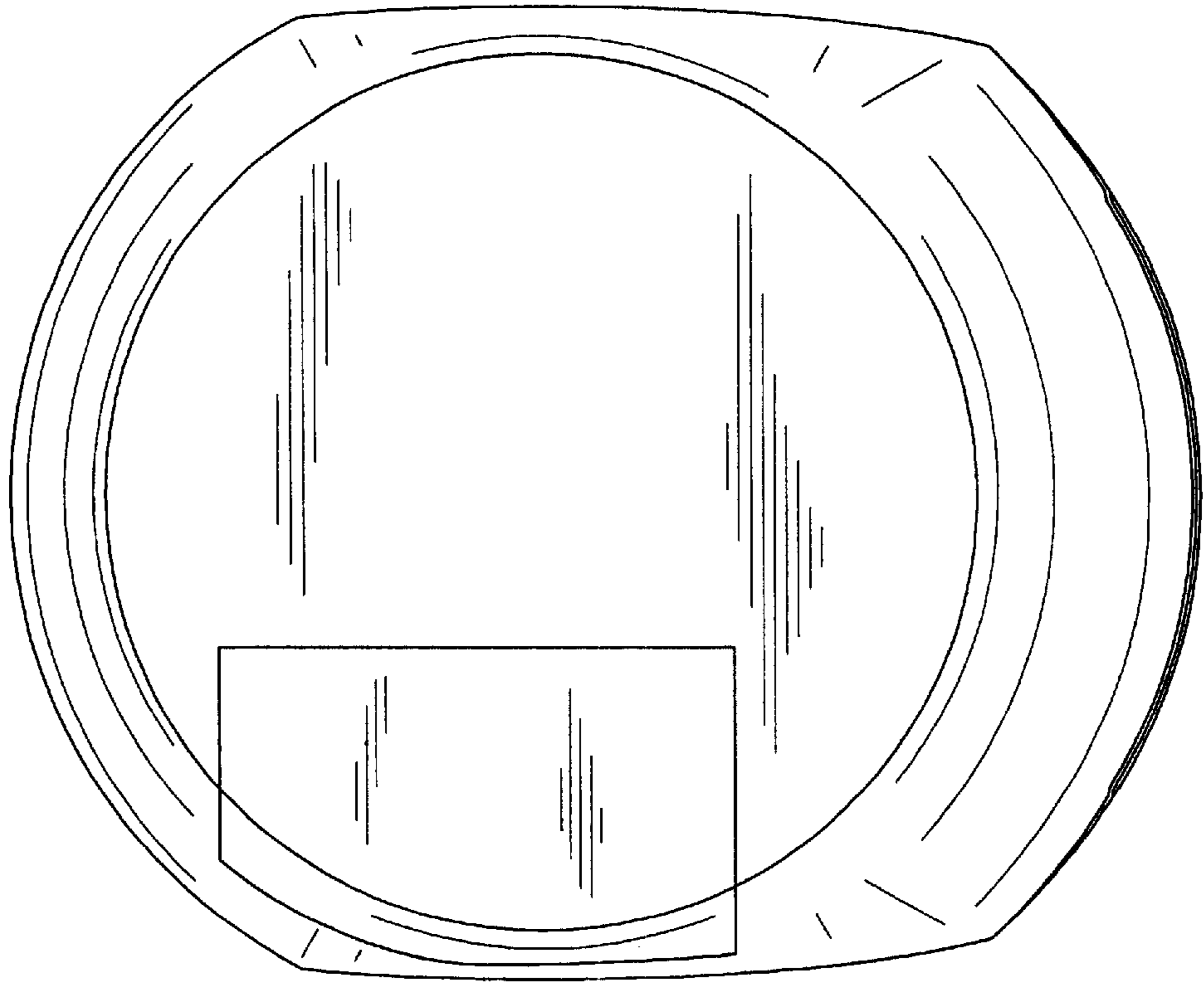


FIG. 2

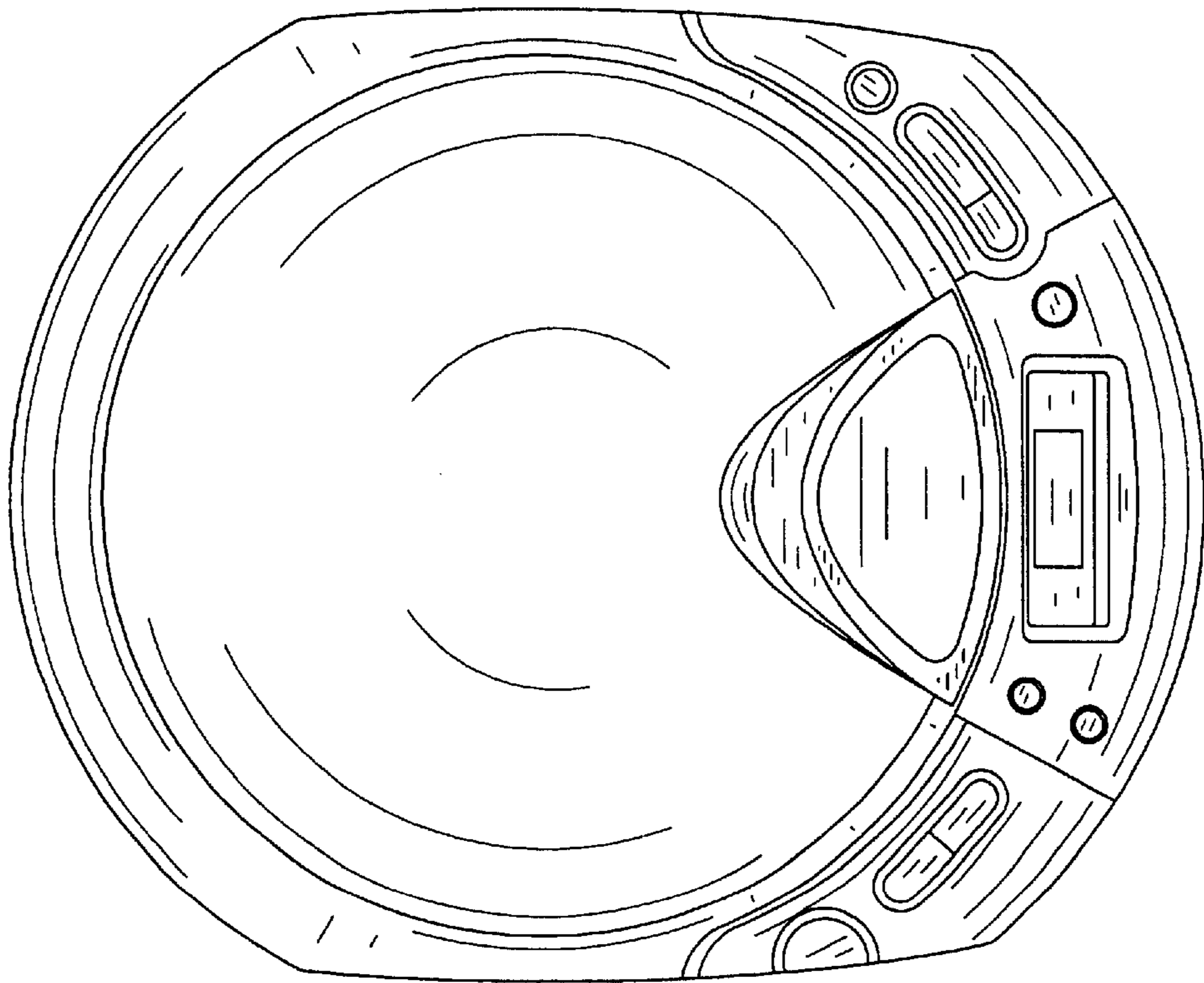


FIG. 4

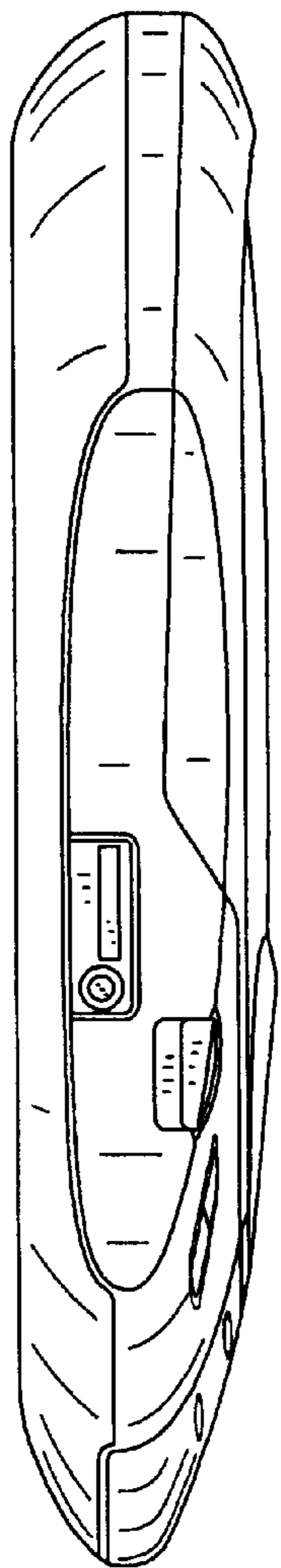


FIG. 5

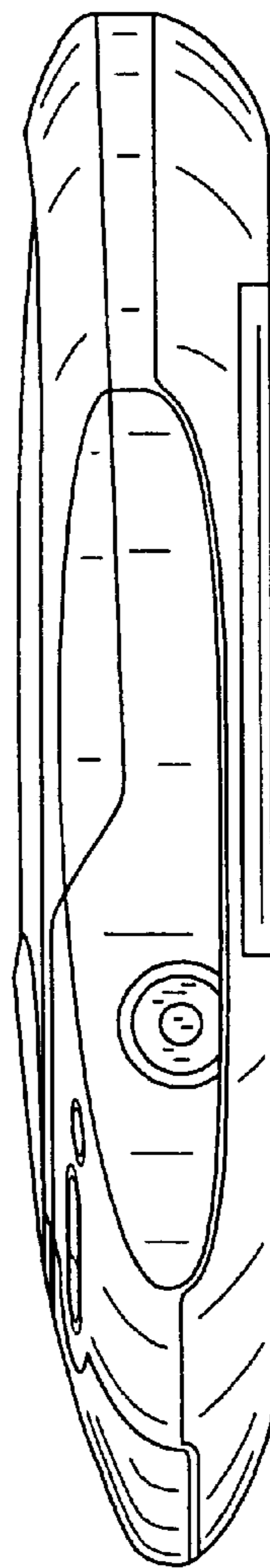


FIG. 6

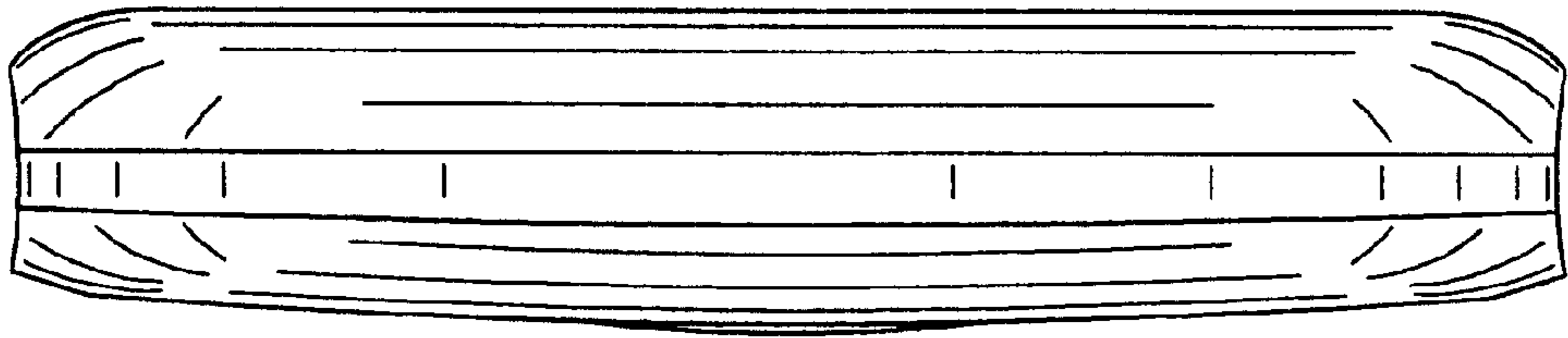


FIG. 7

