



US00D477292S

(12) **United States Design Patent**
Inoue et al.

(10) **Patent No.:** **US D477,292 S**

(45) **Date of Patent:** **** Jul. 15, 2003**

(54) **COMBINED TELEVISION AND BASE**

D454,845 S * 3/2002 Niitsu D14/126
D457,507 S * 5/2002 Lim et al. D14/133

(75) Inventors: **Takashi Inoue**, Nara (JP); **Satoshi Tanigawa**, Osaka (JP); **Kiyoshi Nakata**, Osaka (JP)

FOREIGN PATENT DOCUMENTS

JP D1066086 4/2000
JP D1076459 6/2000

(73) Assignee: **Matsushita Electric Industrial Co., Ltd.**, Kadoma (JP)

* cited by examiner

(**) Term: **14 Years**

Primary Examiner—Raphael Barkai
(74) *Attorney, Agent, or Firm*—Brinks Hofer Gilson & Lione

(21) Appl. No.: **29/168,181**

(22) Filed: **Sep. 27, 2002**

(57) **CLAIM**

(30) **Foreign Application Priority Data**

The ornamental design for a combined television and base, as shown.

Mar. 27, 2002 (JP) 2002-008055

DESCRIPTION

(51) **LOC (7) Cl.** **14-03**

FIG. 1 is a perspective view of a combined television and base showing our new design;
FIG. 2 is a front view thereof;
FIG. 3 is a rear view thereof;
FIG. 4 is a first side view thereof;
FIG. 5 is a second side view thereof;
FIG. 6 is a top view thereof; and,
FIG. 7 is a bottom view thereof.

(52) **U.S. Cl.** **D14/129; D14/133; D14/126**

(58) **Field of Search** D14/125-134,
D14/239, 371, 374-382; 312/7.2; 348/836,
838, 180, 184, 325, 739; 345/104, 133,
156, 168, 87, 173

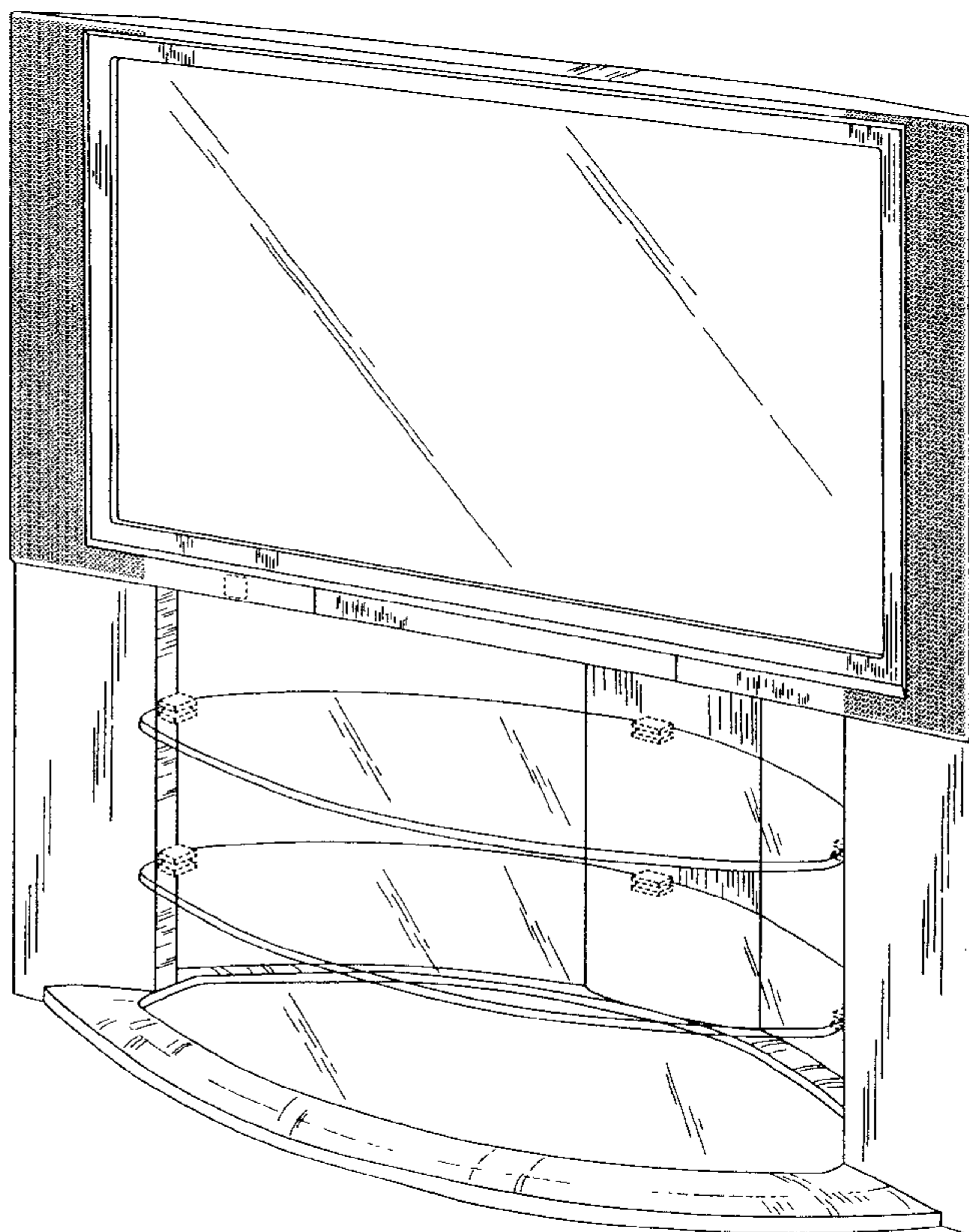
The broken lines shown in FIGS. 1-5 are for illustrative purposes only and form no part of the claimed design.

(56) **References Cited**

U.S. PATENT DOCUMENTS

D308,378 S * 6/1990 Shinoda D14/133
D413,116 S * 8/1999 Ishikawa D14/128

1 Claim, 5 Drawing Sheets



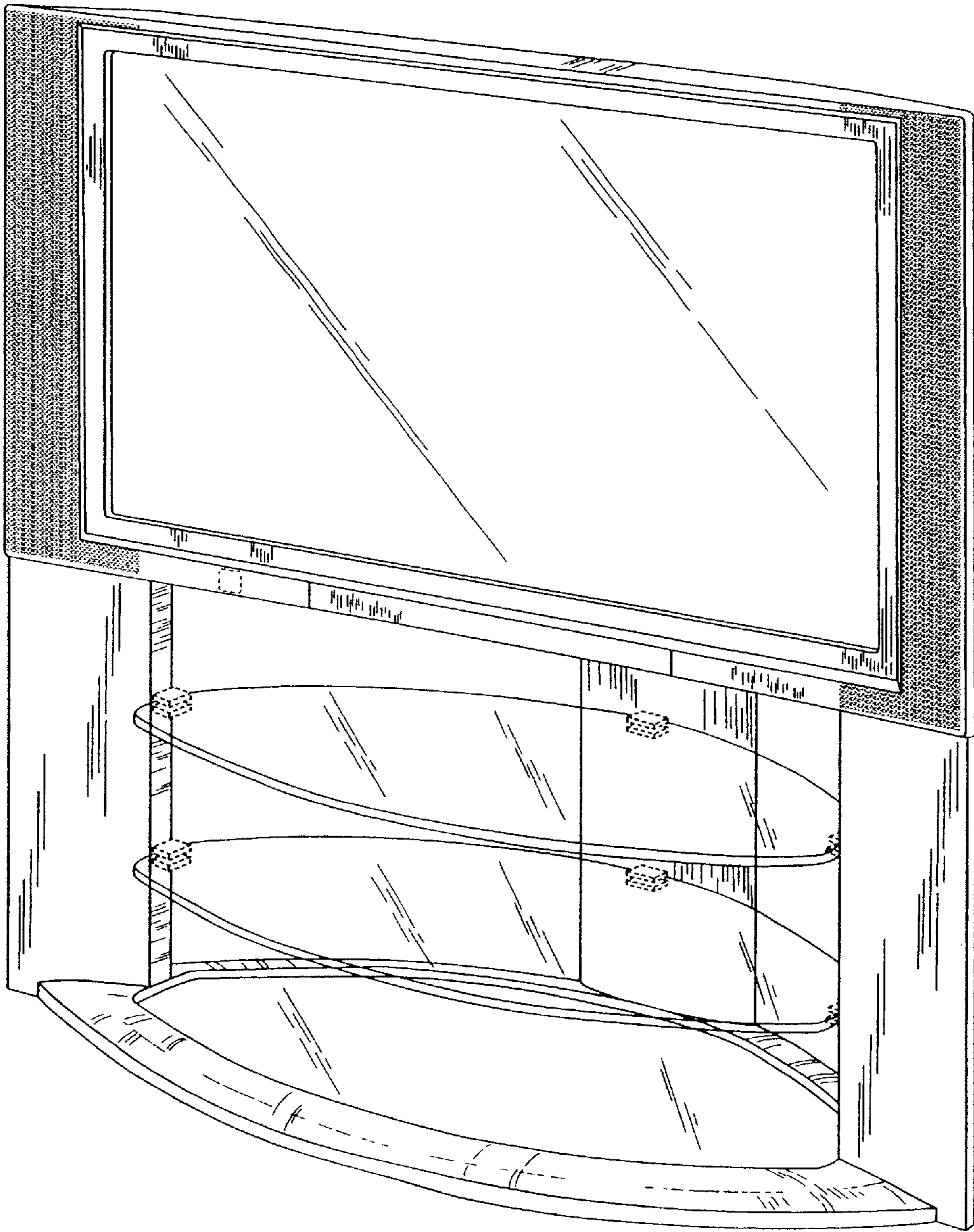


FIG. 1

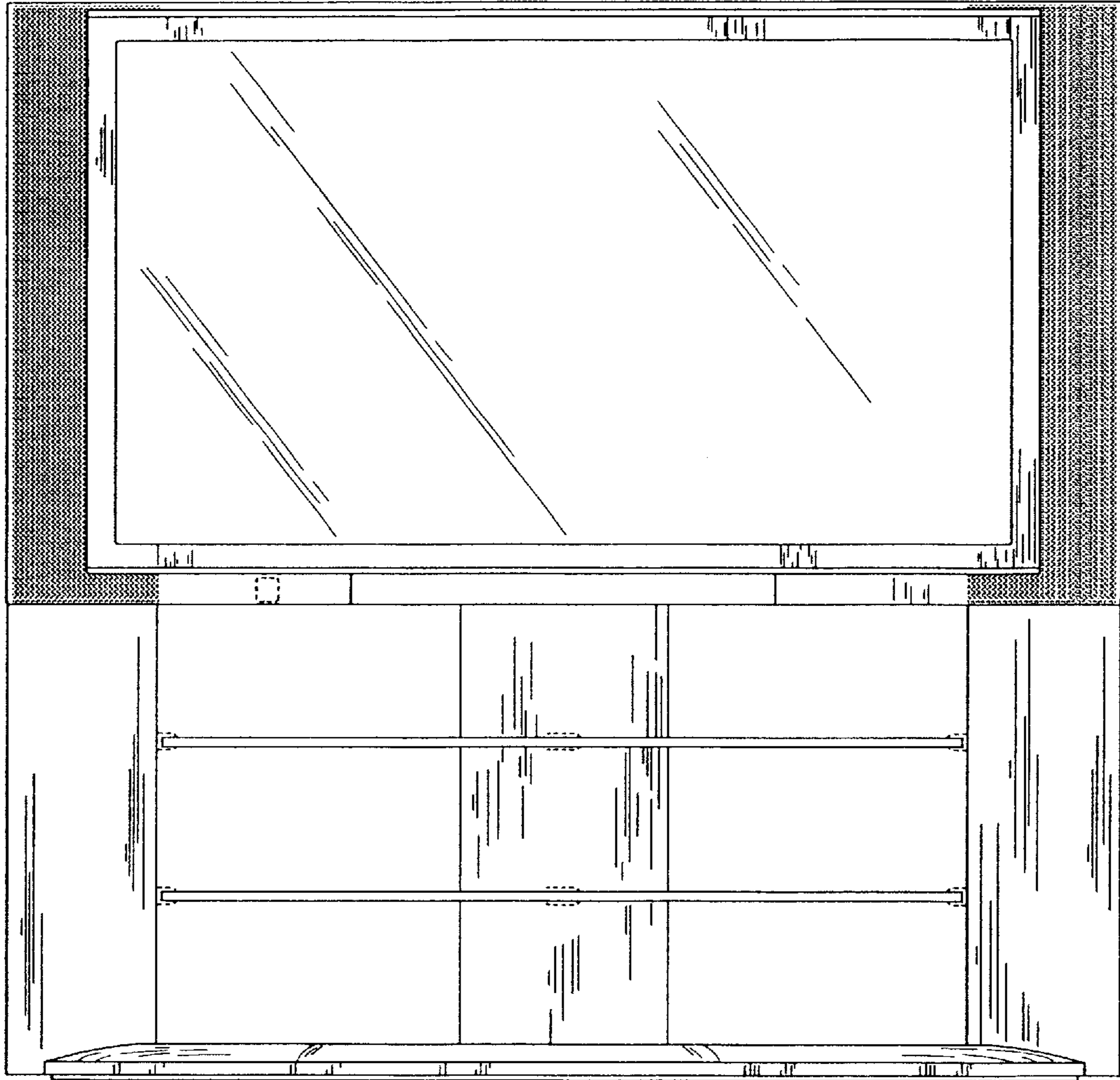


FIG. 2

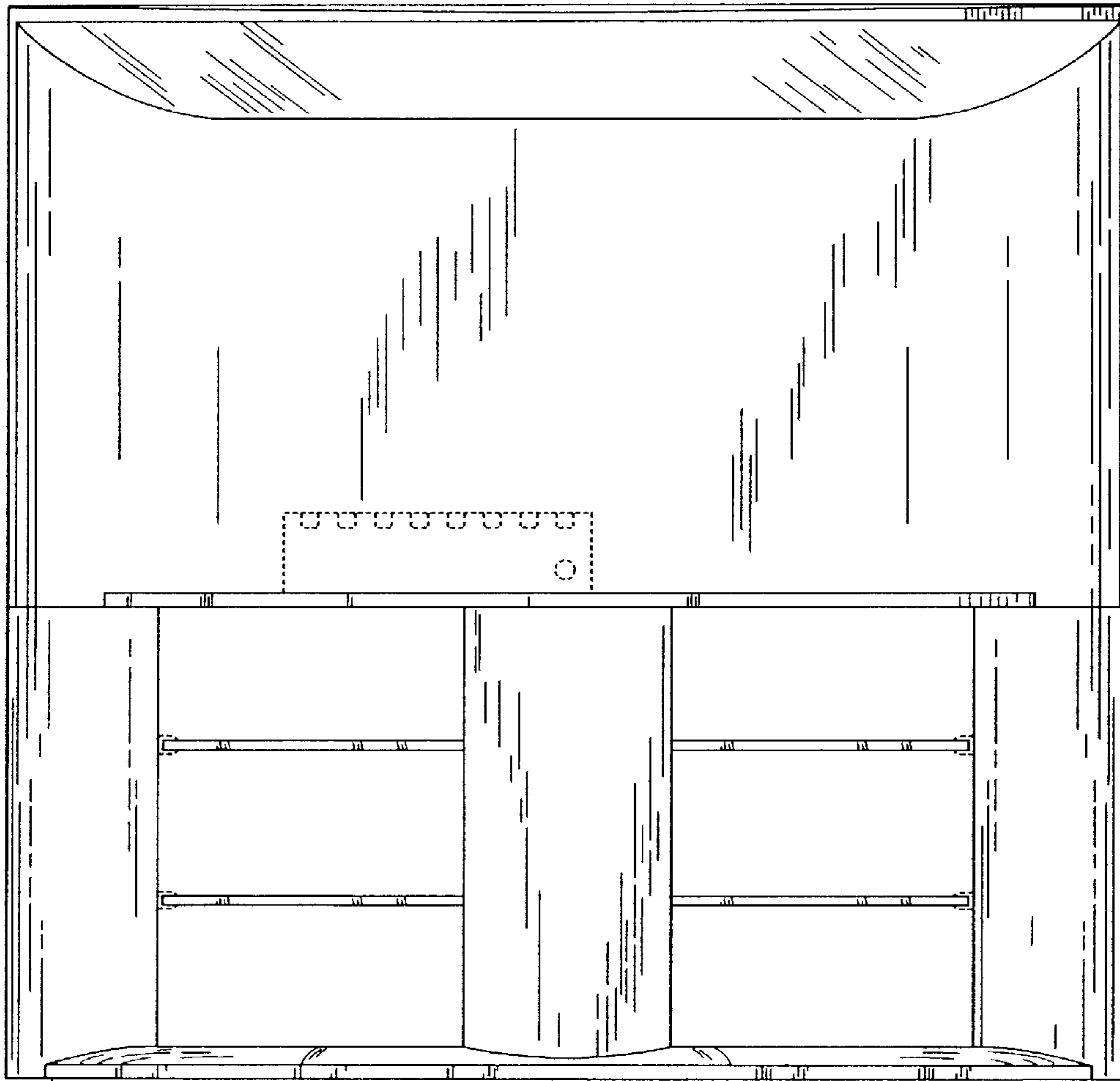


FIG. 3

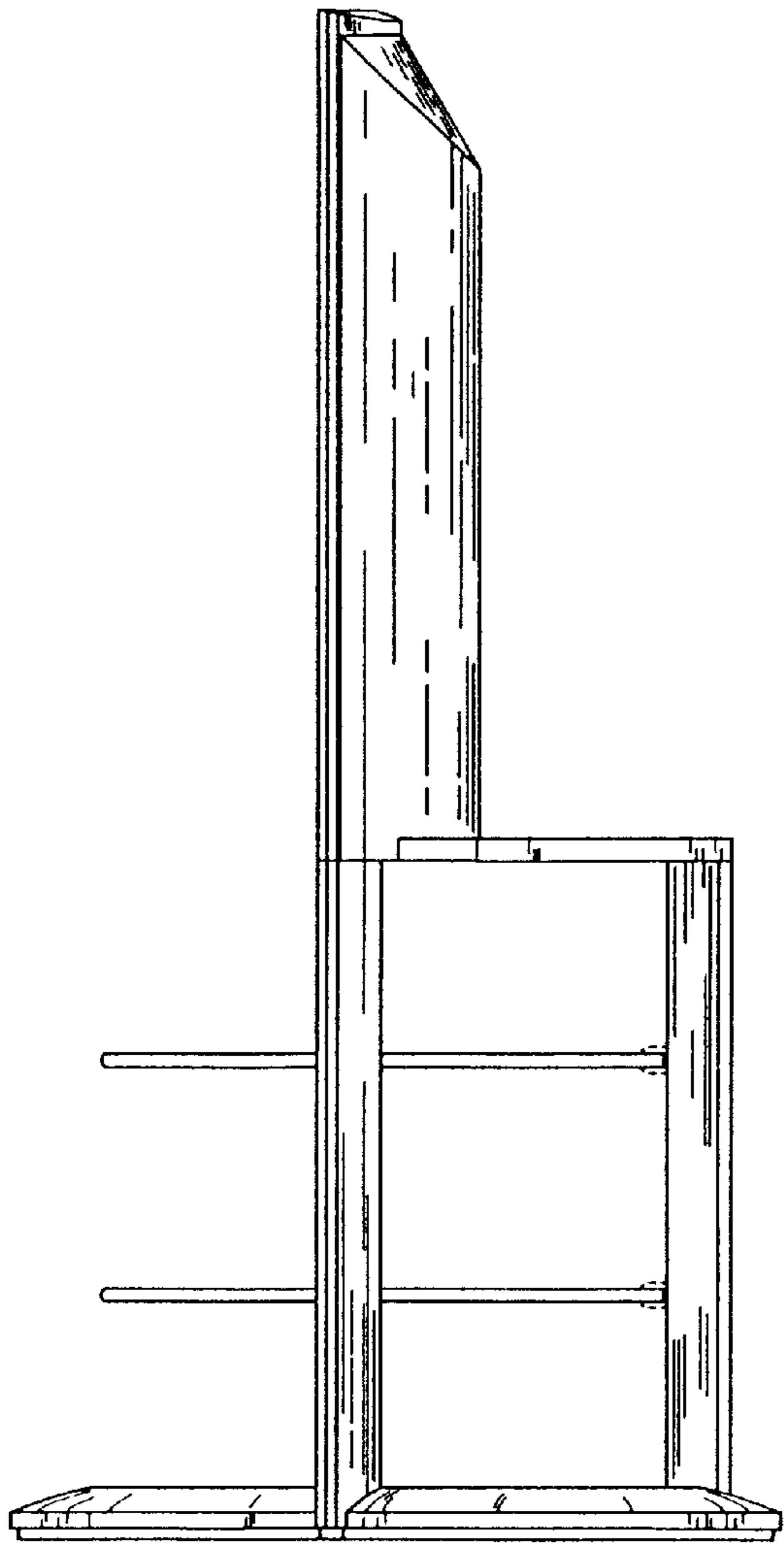


FIG. 4

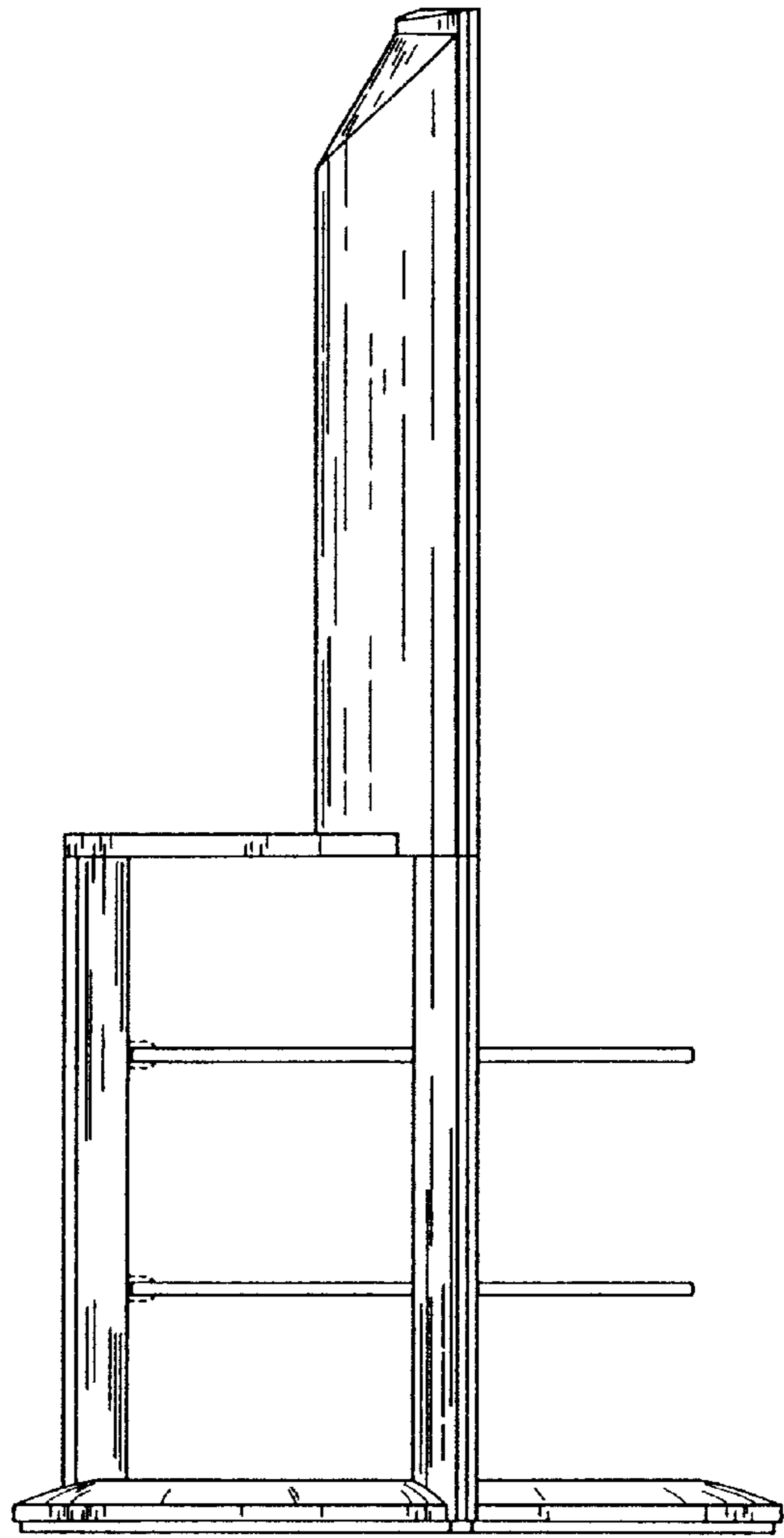


FIG. 5

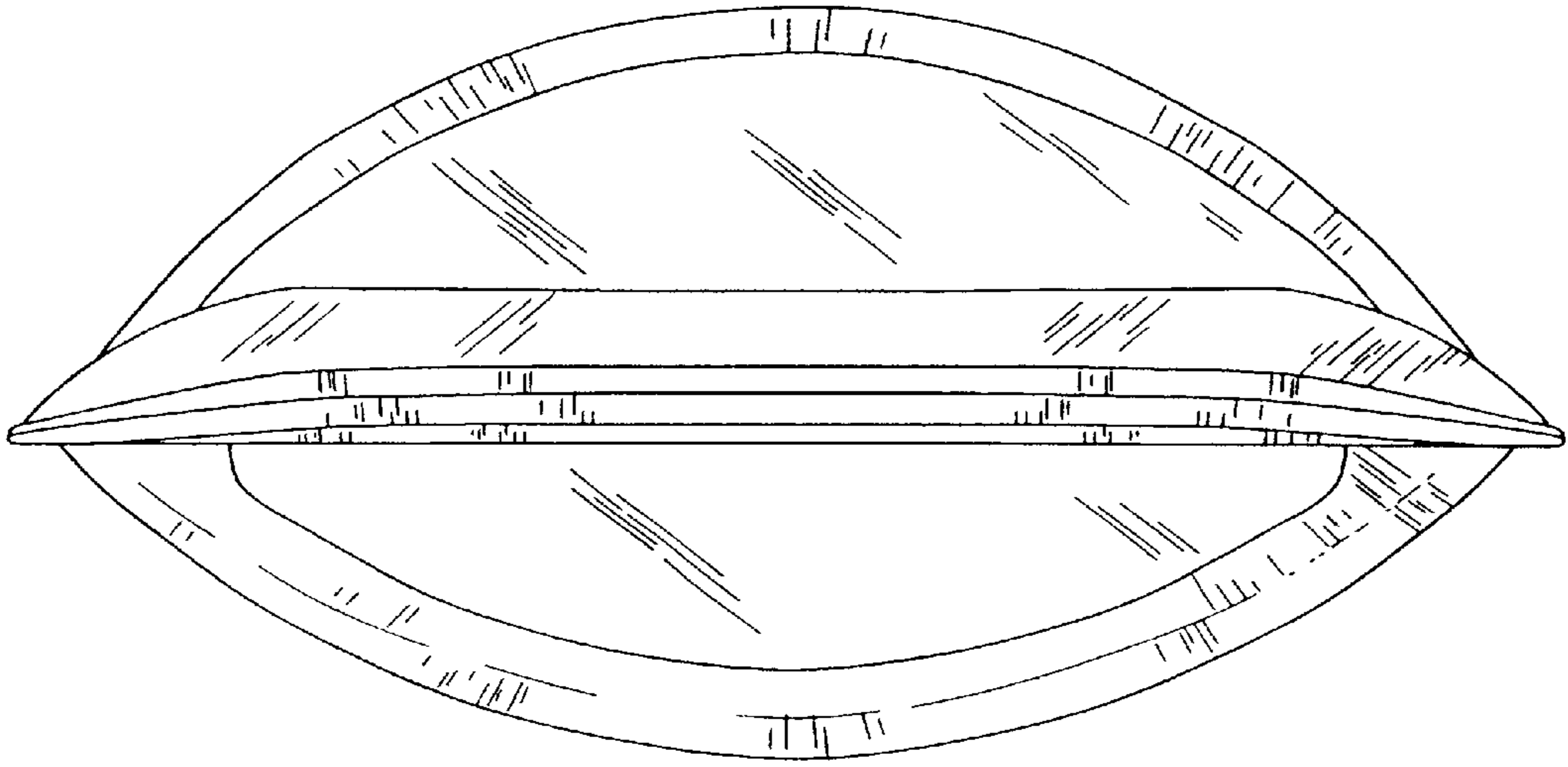


FIG. 6

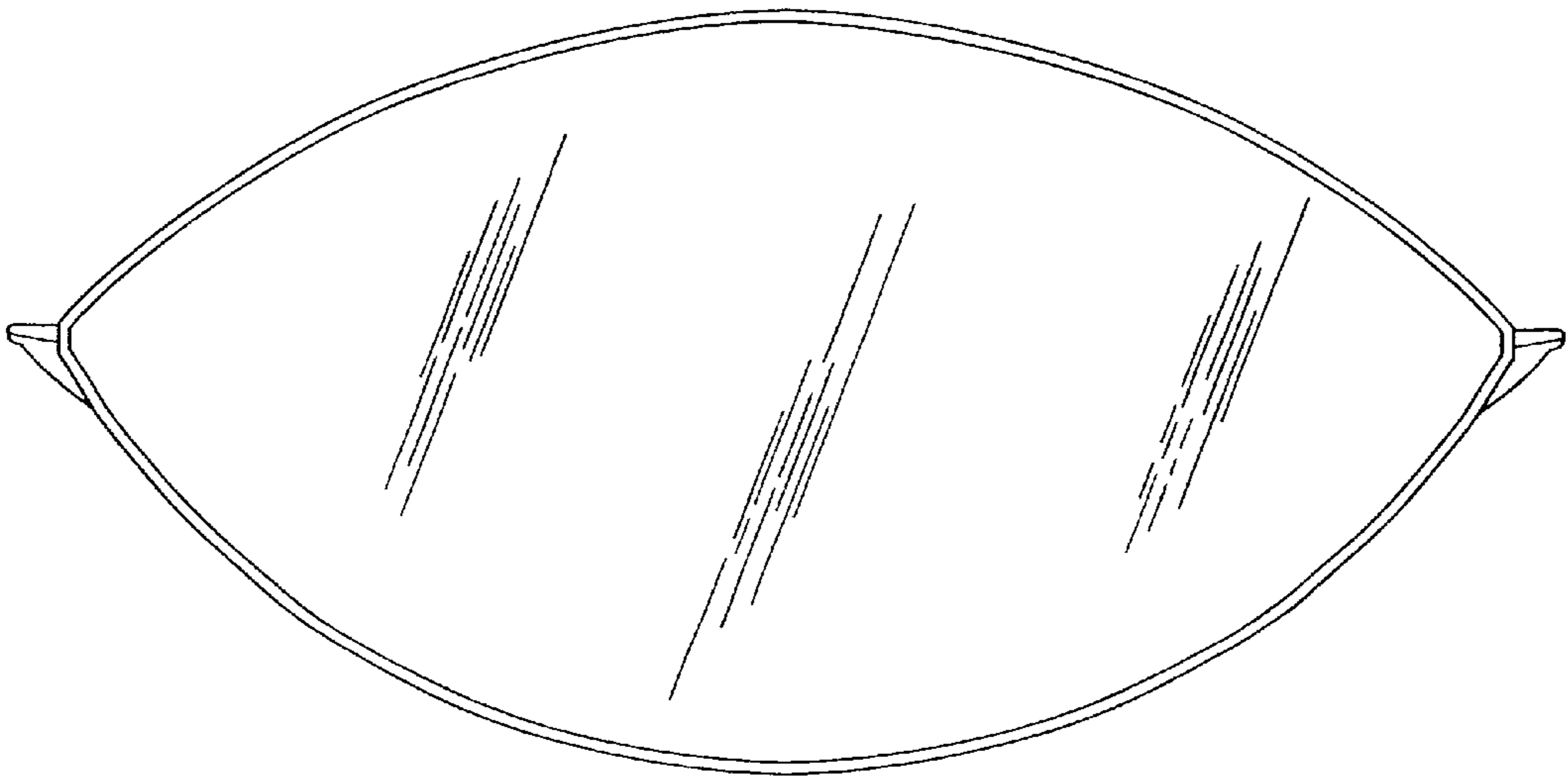


FIG. 7