



US00D477291S

(12) **United States Design Patent**  
**Lee**

(10) **Patent No.:** **US D477,291 S**

(45) **Date of Patent:** **\*\* Jul. 15, 2003**

(54) **RADIATOR FOR A HEAT GENERATING COMPONENTS IN ELECTRONIC EQUIPMENT**

(75) Inventor: **Sang-cheol Lee**, Kyungki-do (KR)

(73) Assignee: **Zalman Tech Co., Ltd.**, Seoul (KR)

(\*\*) Term: **14 Years**

(21) Appl. No.: **29/159,903**

(22) Filed: **May 1, 2002**

(30) **Foreign Application Priority Data**

Nov. 5, 2001 (KR) ..... 2001-0030972

(51) **LOC (7) Cl.** ..... **13-03**

(52) **U.S. Cl.** ..... **D13/179**

(58) **Field of Search** ..... D13/179; 165/80.3,  
165/104.33, 121, 122, 146, 185; 174/16.3;  
257/670, 675, 676, 706, 707, 718, 719,  
721, 722; 361/695, 697, 699, 702, 704,  
709, 514

(56) **References Cited**

**U.S. PATENT DOCUMENTS**

4,103,192	A	*	7/1978	Wendt et al.	.....	310/64
4,715,438	A	*	12/1987	Gabuzda et al.	.....	165/185
D428,857	S	*	8/2000	Wagner et al.	.....	D13/179
6,330,908	B1	*	12/2001	Lee et al.	.....	165/185
6,336,499	B1	*	1/2002	Liu	.....	165/80.3
6,386,274	B1	*	5/2002	Wang et al.	.....	165/80.3
6,386,275	B1	*	5/2002	Kuo et al.	.....	165/80.3
6,439,298	B1	*	8/2002	Li	.....	165/104.33

\* cited by examiner

*Primary Examiner*—Ted Shooman  
*Assistant Examiner*—Selina Sikder

(74) *Attorney, Agent, or Firm*—Leydig, Voit & Mayer, Ltd.

(57) **CLAIM**

I claim the ornamental design for a radiator for a heat generating components in electronic equipment, as shown and described.

**DESCRIPTION**

FIG. 1 is a perspective view of a radiator for heat generating components in electronic equipment according to the present invention.

FIG. 2 is a front view of a radiator for heat generating components in electronic equipment according to the present invention.

FIG. 3 is a rear view of a radiator for heat generating components in electronic equipment according to the present invention.

FIG. 4 is a right side view of a radiator for heat generating components in electronic equipment according to the present invention.

FIG. 5 is a left side view of a radiator for heat generating components in electronic equipment according to the present invention.

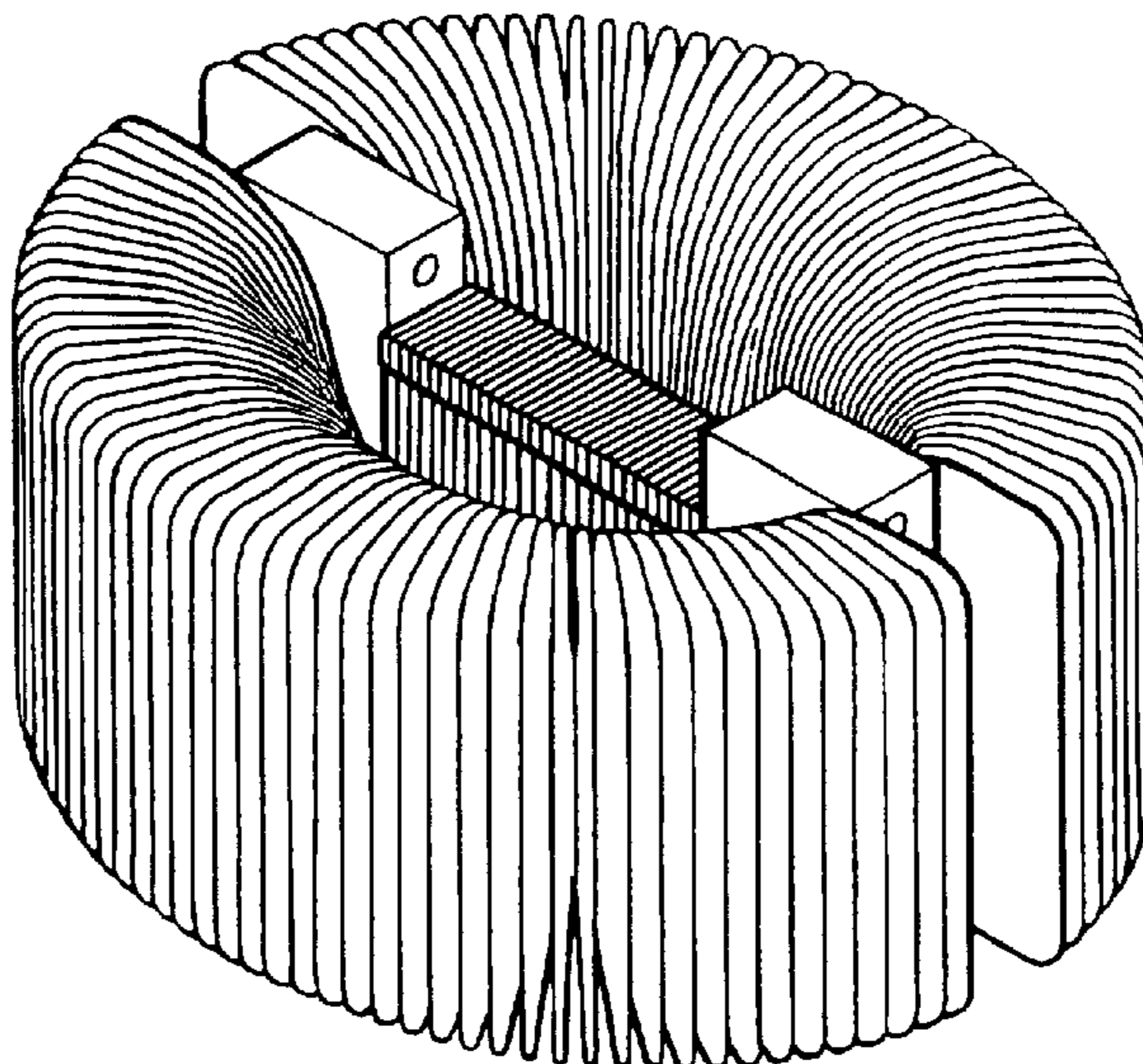
FIG. 6 is a top plan view of a radiator for heat generating components in electronic equipment according to the present invention.

FIG. 7 is a bottom plan view of a radiator for heat generating components in electronic equipment according to the present invention; and,

FIG. 8 is an exploded perspective view for illustrating the use of the radiator wherein the environment in which the radiator is associated, including a bracket, a fan, and a surface of a CPU, is shown in broken lines.

The broken line showing of the environment is for illustrative purpose only and forms no part of the claimed design.

**1 Claim, 5 Drawing Sheets**



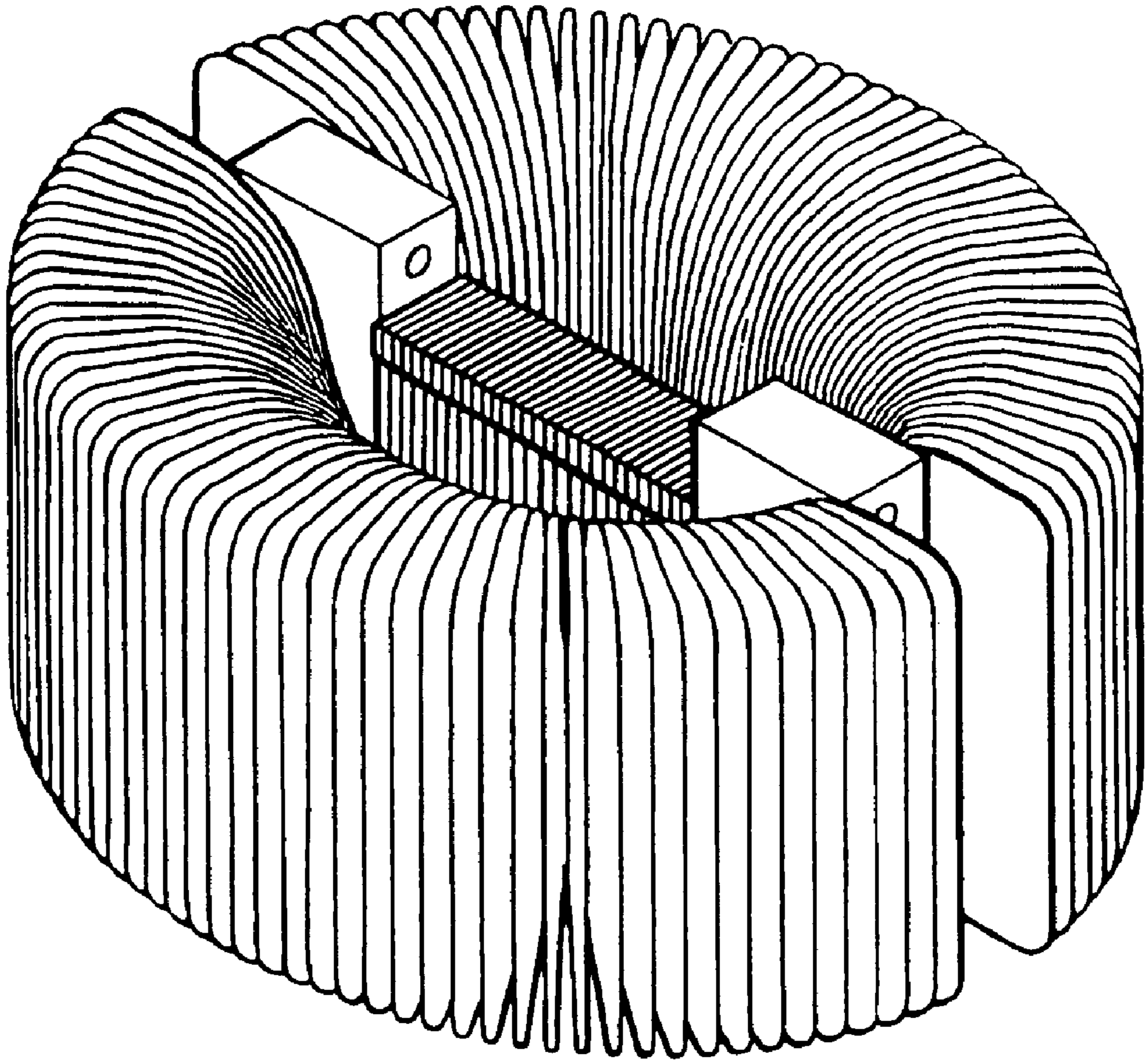


FIG. 1

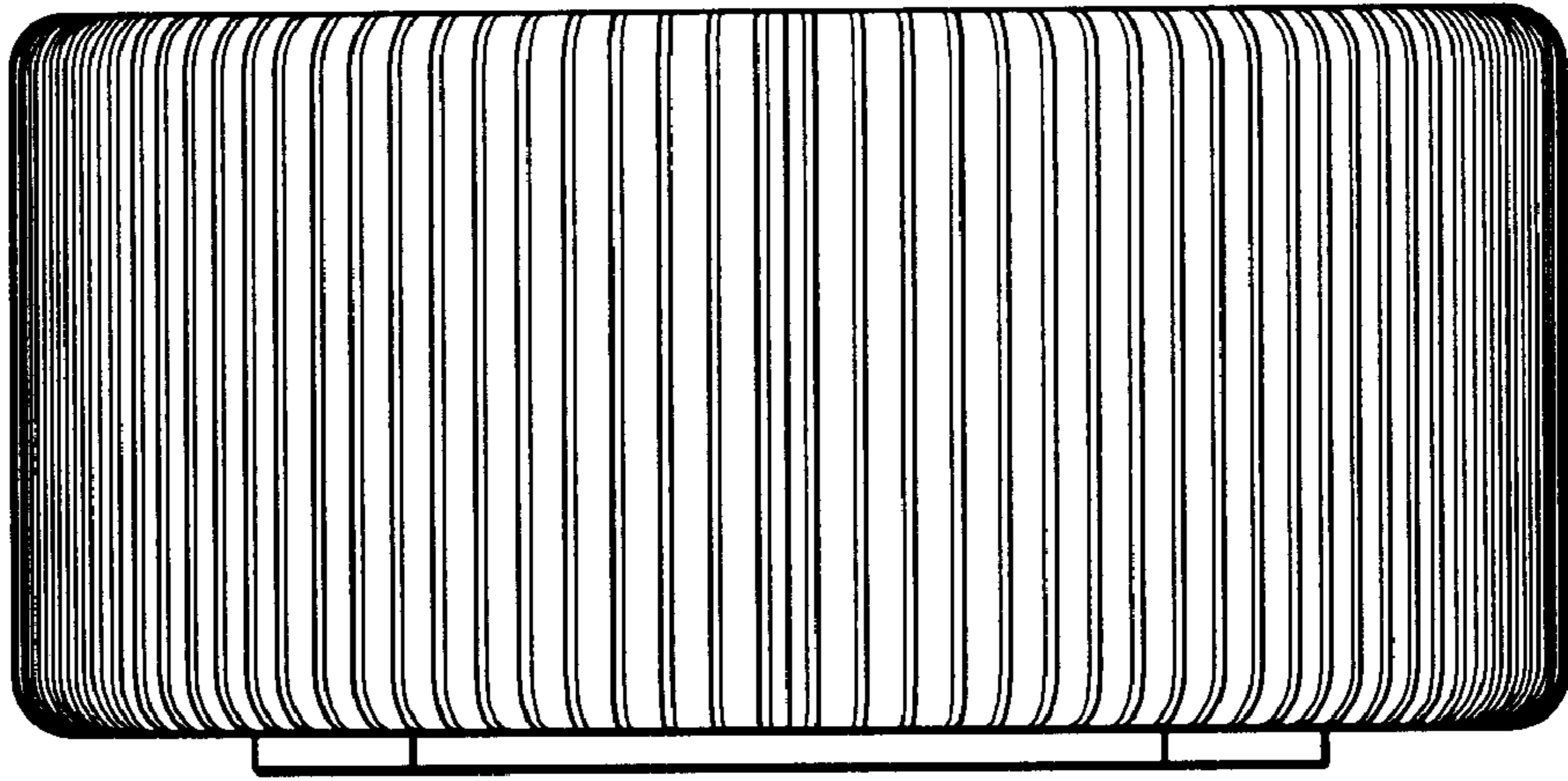


FIG. 2

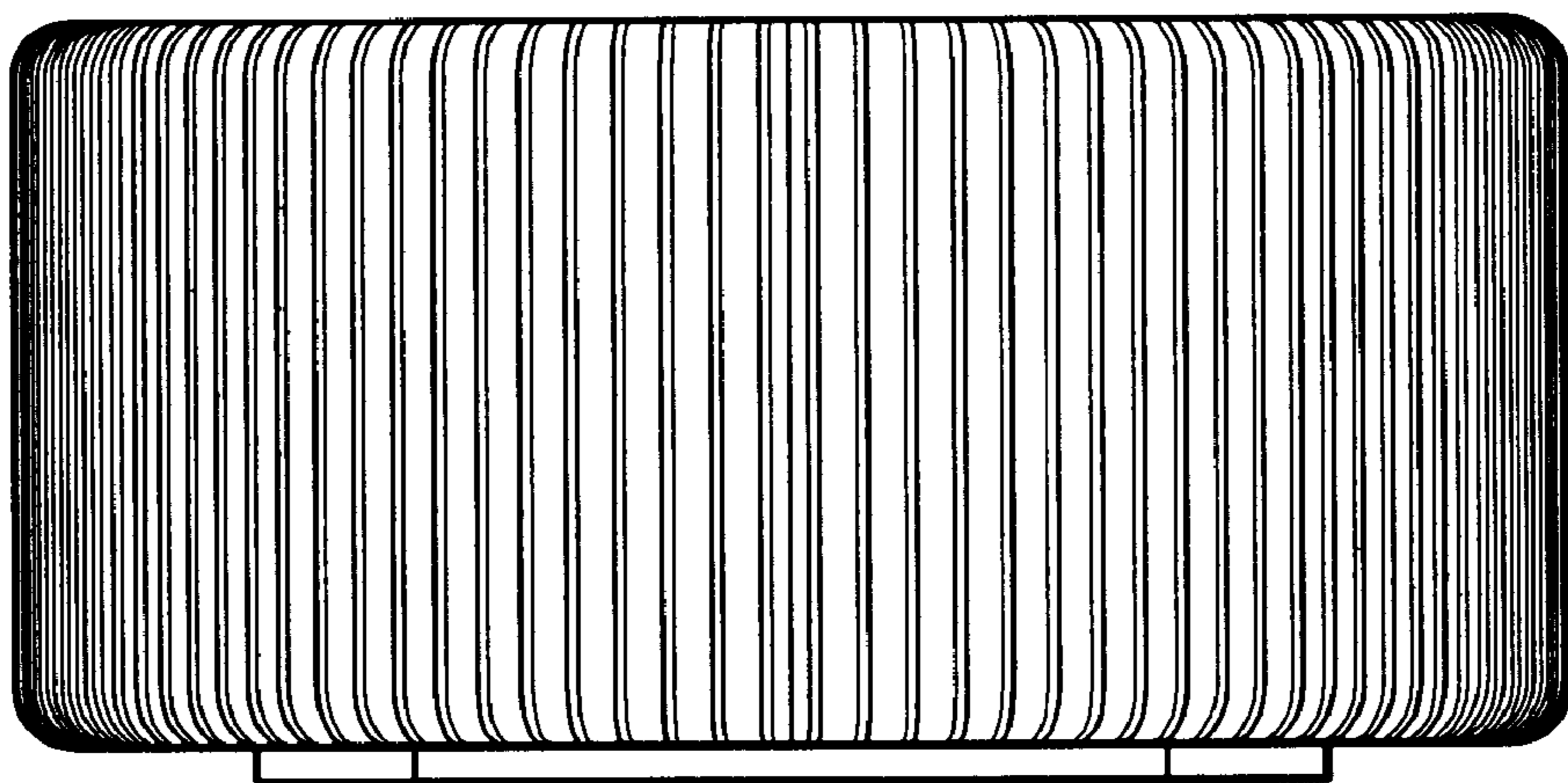


FIG. 3

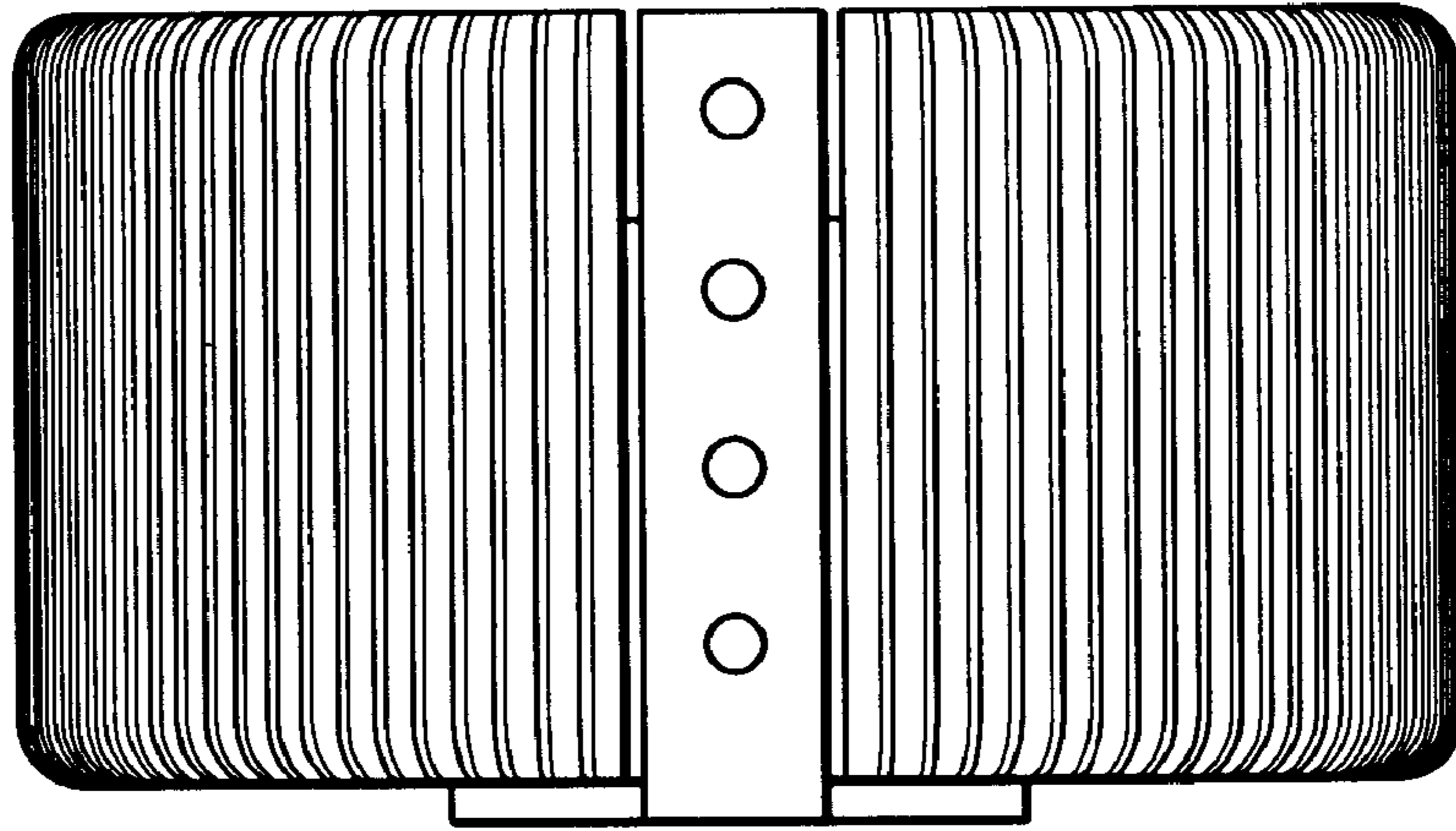


FIG. 4

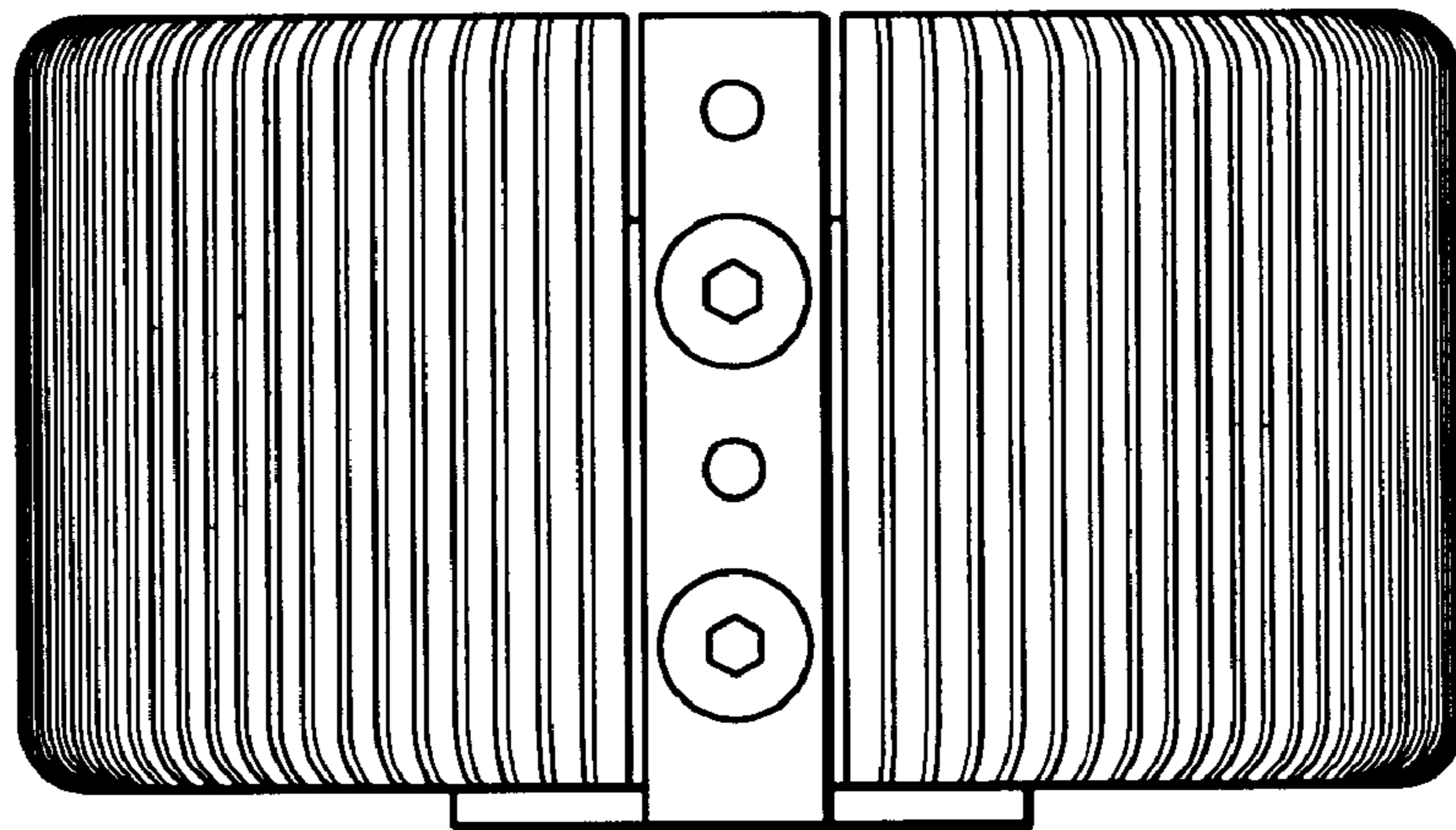


FIG. 5

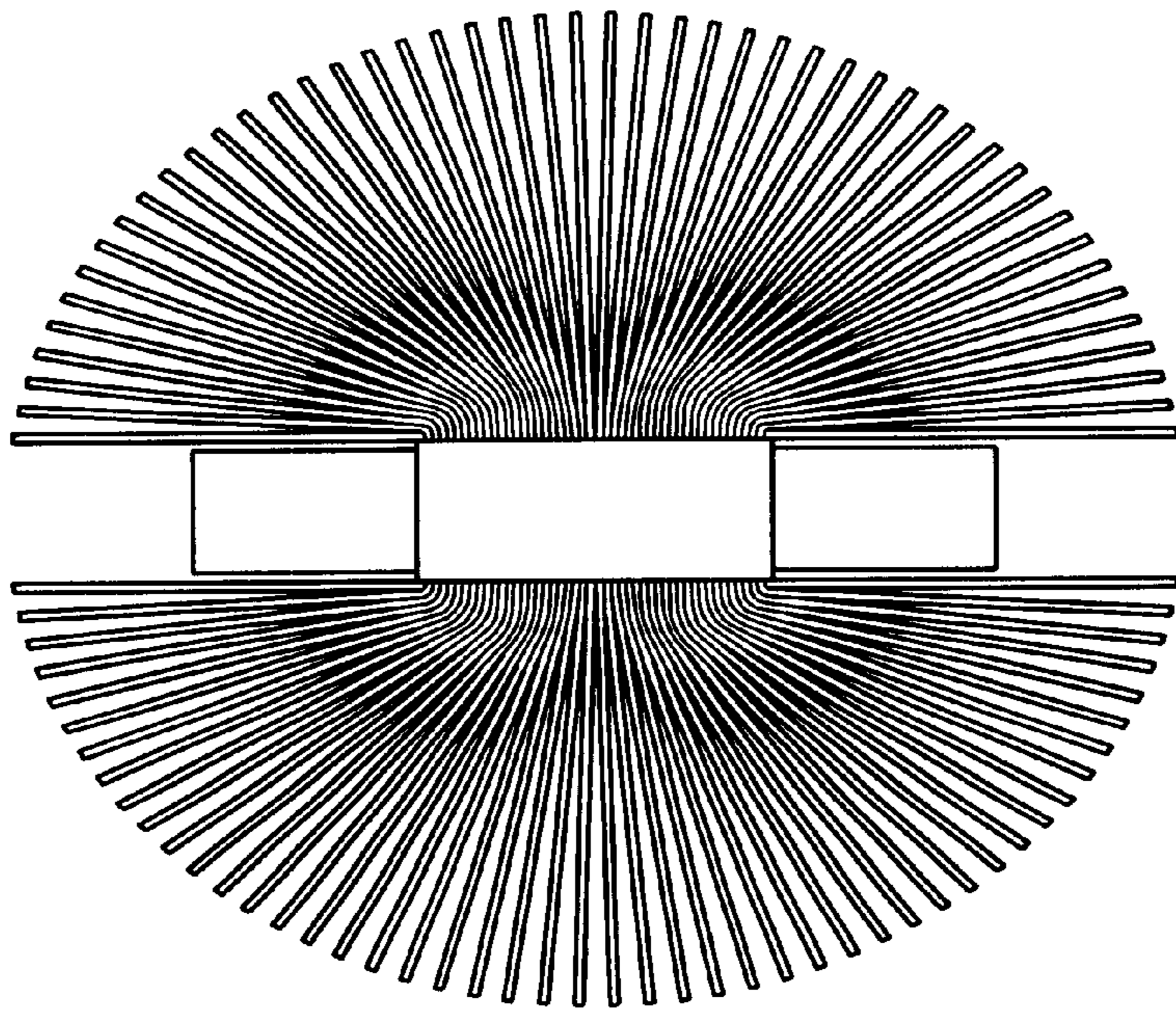


FIG. 6

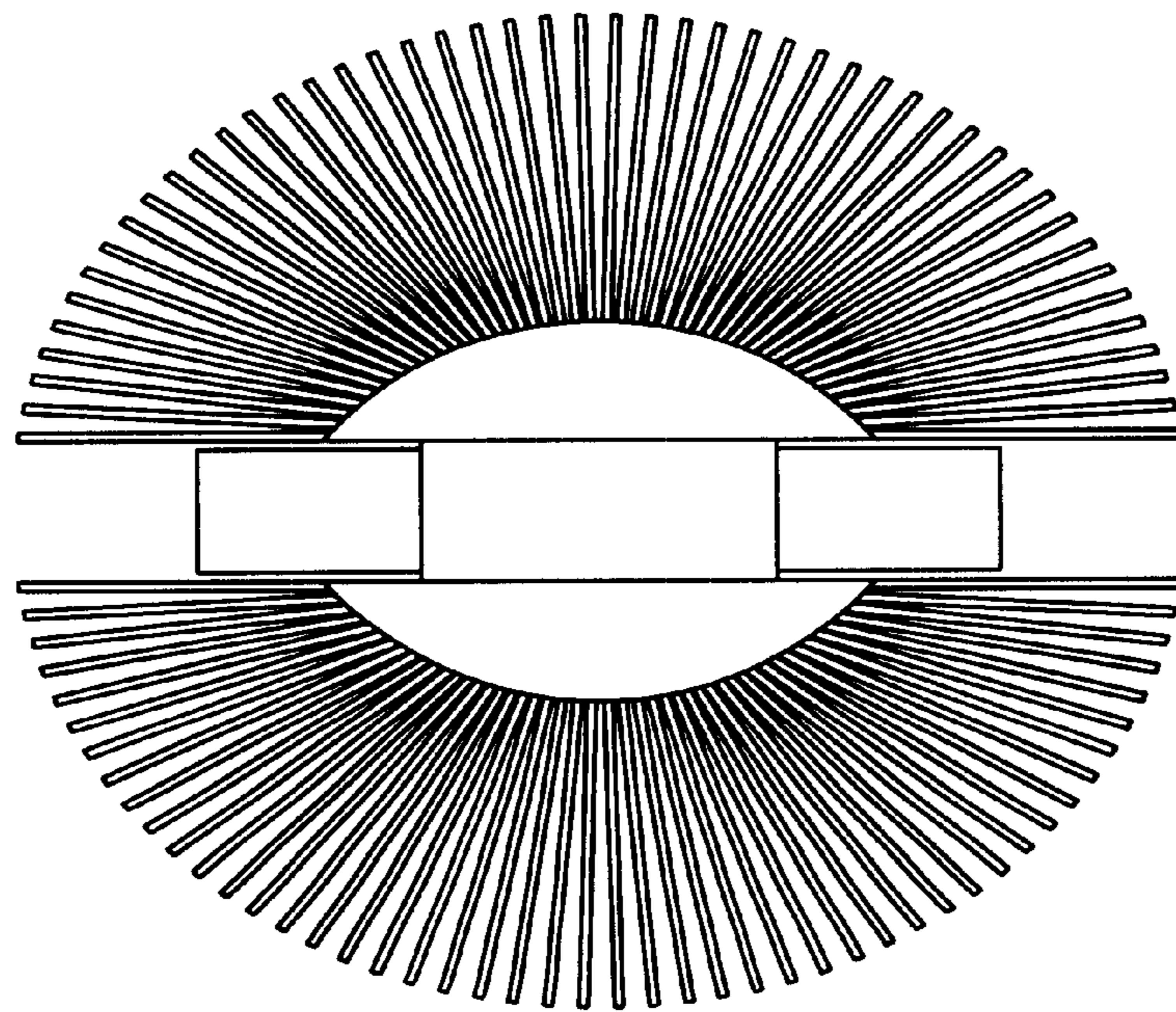


FIG. 7

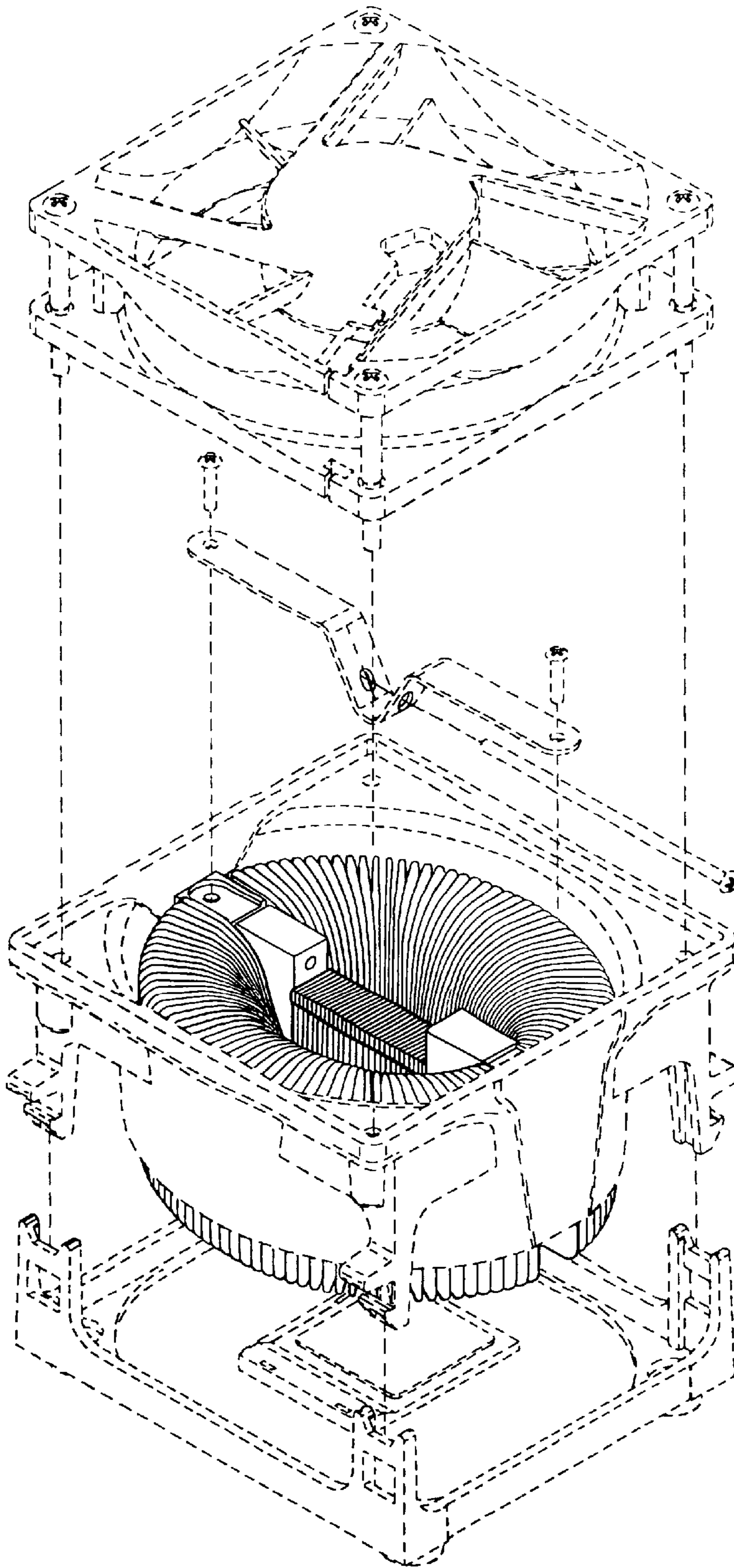


FIG.8