



US00D477287S

(12) **United States Design Patent**
Roman

(10) **Patent No.:** **US D477,287 S**

(45) **Date of Patent:** **** Jul. 15, 2003**

(54) **CONTROL UNIT FOR AN IRRIGATION SYSTEM**

(75) Inventor: **Gianfranco Roman**, Pasiano (IT)

(73) Assignee: **Claber S.p.A.** (IT)

(**) Term: **14 Years**

(21) Appl. No.: **29/161,677**

(22) Filed: **Jun. 3, 2002**

(30) **Foreign Application Priority Data**

Dec. 4, 2001 (IT) MI0100799

(51) **LOC (7) Cl.** **13-03**

(52) **U.S. Cl.** **D13/162**

(58) **Field of Search** D10/40, 46, 49, D10/96; D13/123, 162, 162.1, 184; D23/245; 137/78.9, 624.11, 624.18; 239/67, 68, 69, 70, 542; 368/107-121, 276, 277, 285, 316, 317; 700/16, 284

(56) **References Cited**

U.S. PATENT DOCUMENTS

4,807,664 A * 2/1989 Wilson et al. 137/624.11
5,135,168 A * 8/1992 Wang 239/70
5,479,338 A * 12/1995 Ericksen et al. 364/145

D365,771 S * 1/1996 Clivio D10/96
D377,316 S * 1/1997 Roman et al. D10/40
5,826,619 A * 10/1998 Roman 137/624.11
D406,567 S * 3/1999 Roman D13/162.1
D431,195 S * 9/2000 Clivio D10/40
6,240,336 B1 * 5/2001 Brundisini 700/284
6,460,563 B2 * 10/2002 Olson et al. 137/364

* cited by examiner

Primary Examiner—Ted Shooman

Assistant Examiner—Selina Sikder

(74) *Attorney, Agent, or Firm*—Akerman Senterfitt

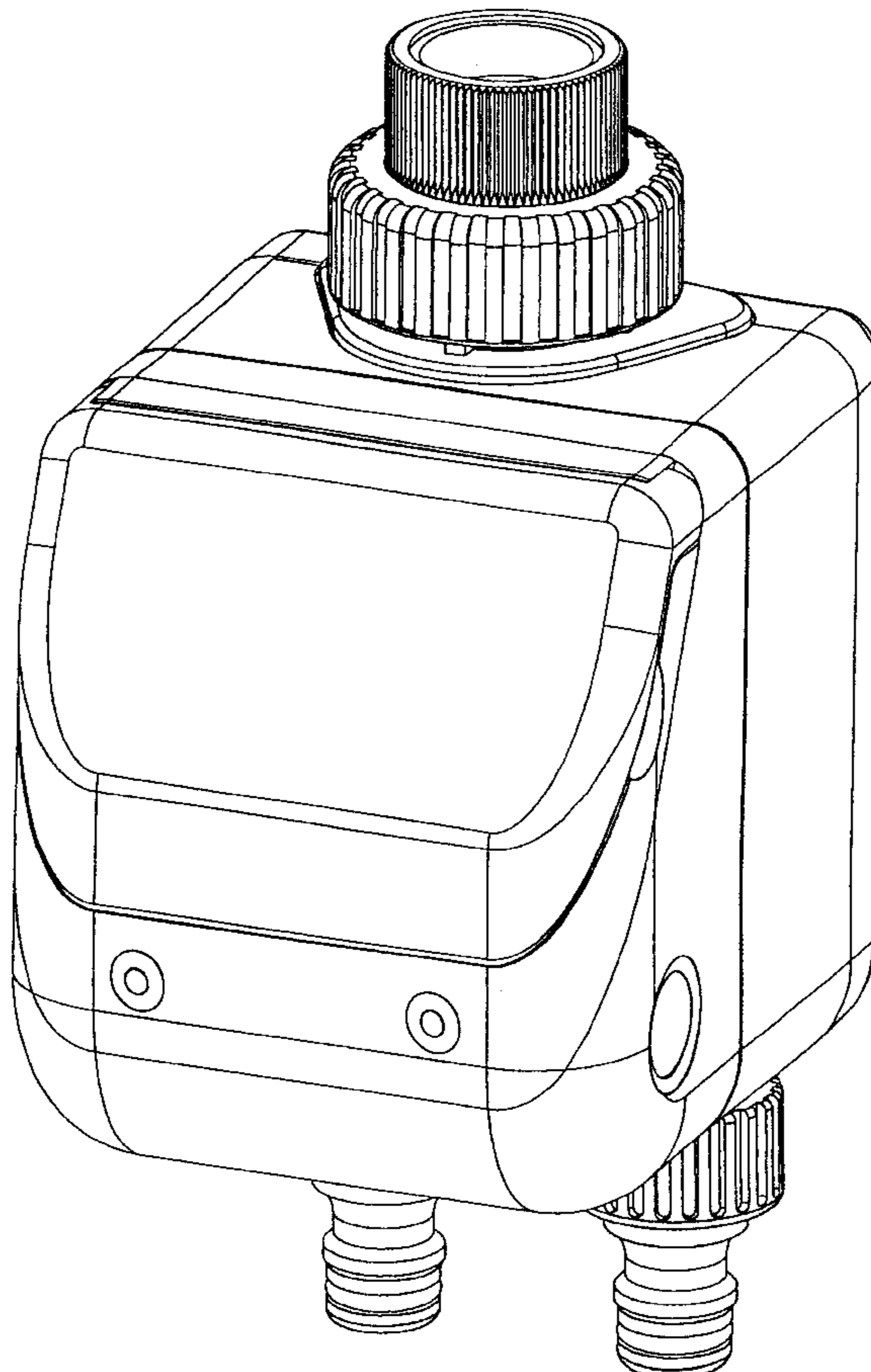
(57) **CLAIM**

The ornamental Design for “control unit for an irrigation system”, as shown and described.

DESCRIPTION

FIG. 1 is a perspective view of my new control unit with closed cover;
FIG. 2 is a front view of my new control unit;
FIG. 3 is a left side view of my new control unit;
FIG. 4 is a top plan view of my control unit;
FIG. 5 is a right side view of my new control unit;
FIG. 6 is a bottom plan view of my control unit; and,
FIG. 7 is a perspective view of my control unit with open cover.

1 Claim, 4 Drawing Sheets



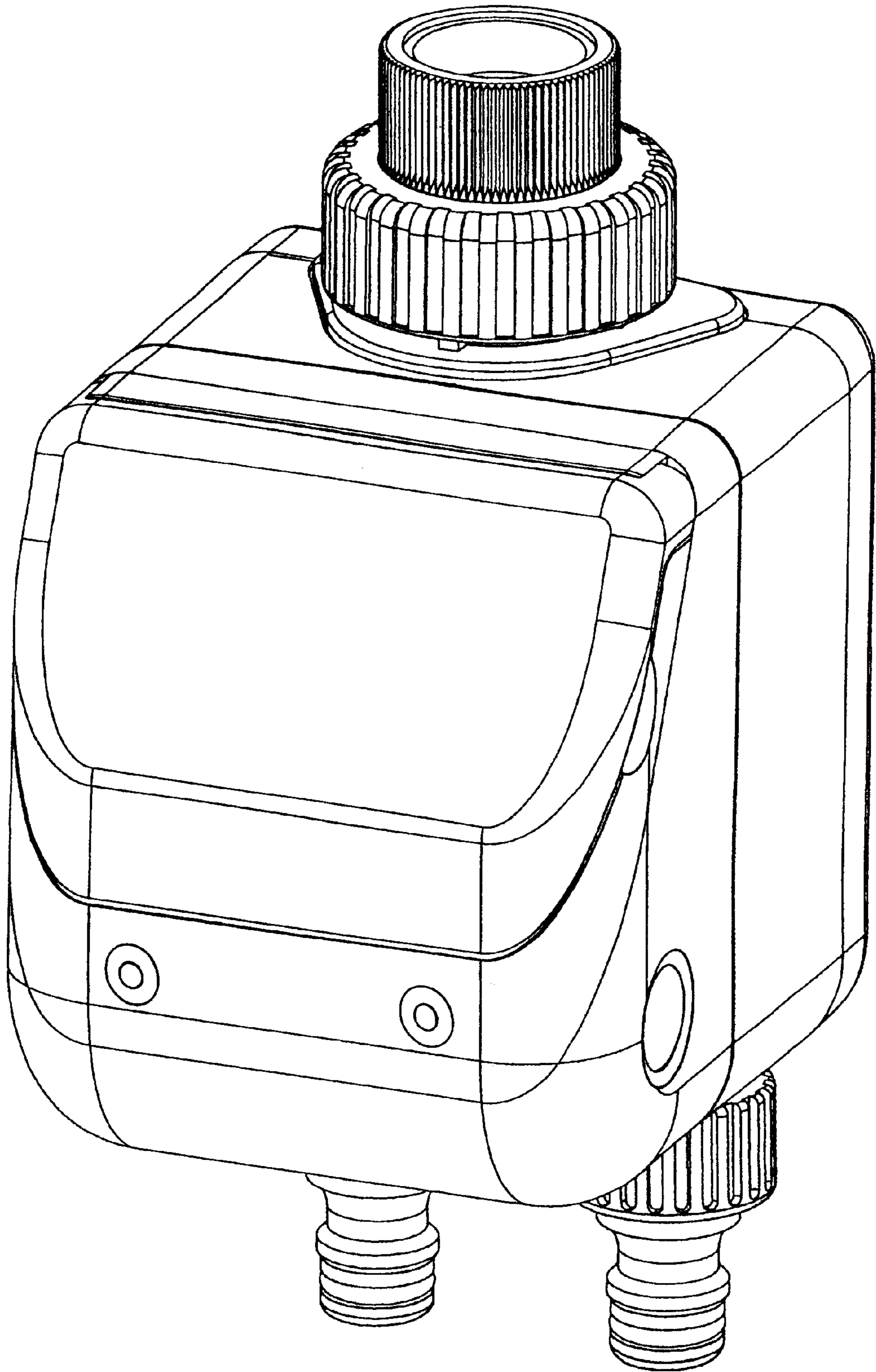


FIG. 1

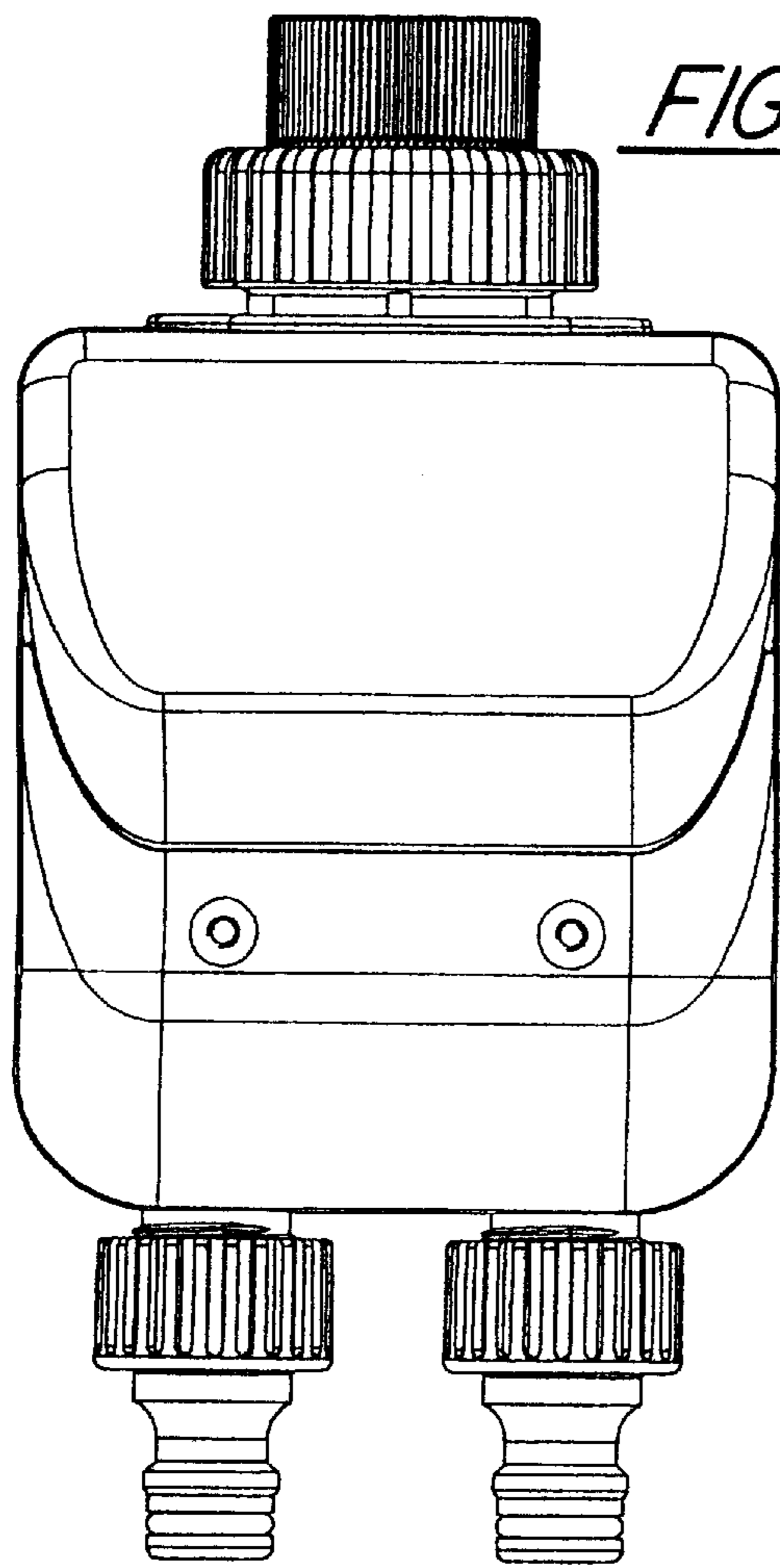


FIG. 2

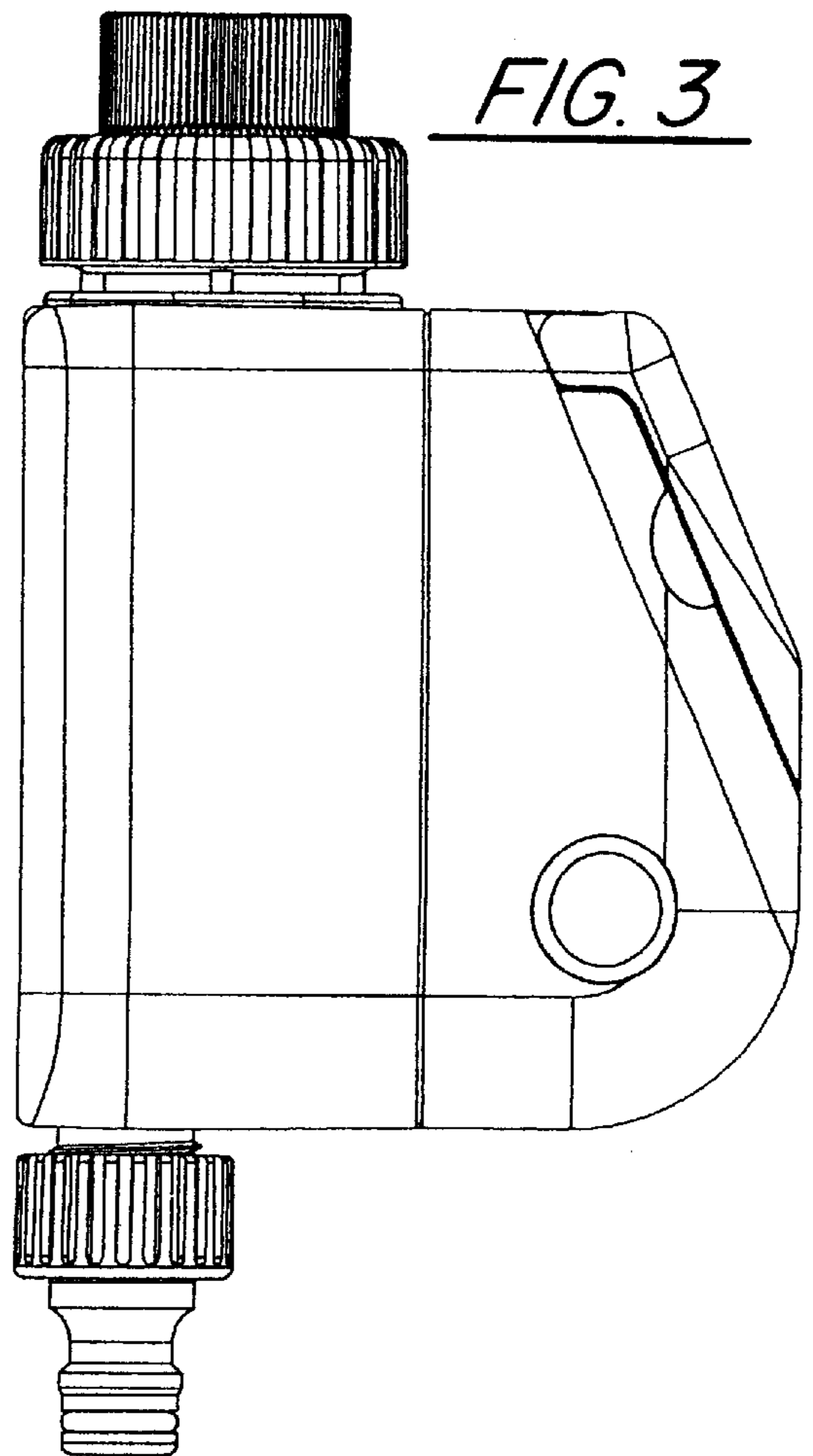


FIG. 3

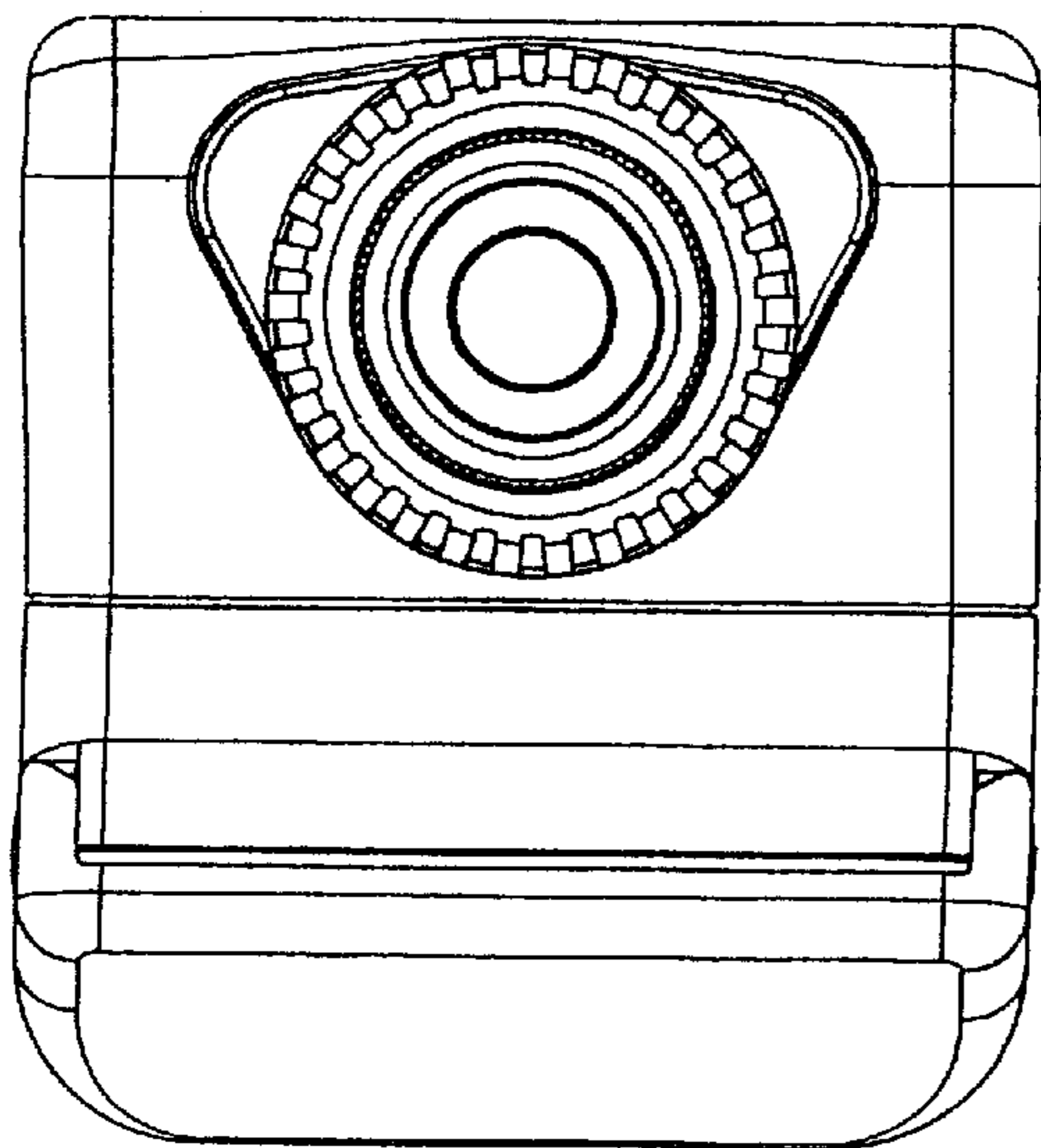


FIG. 4

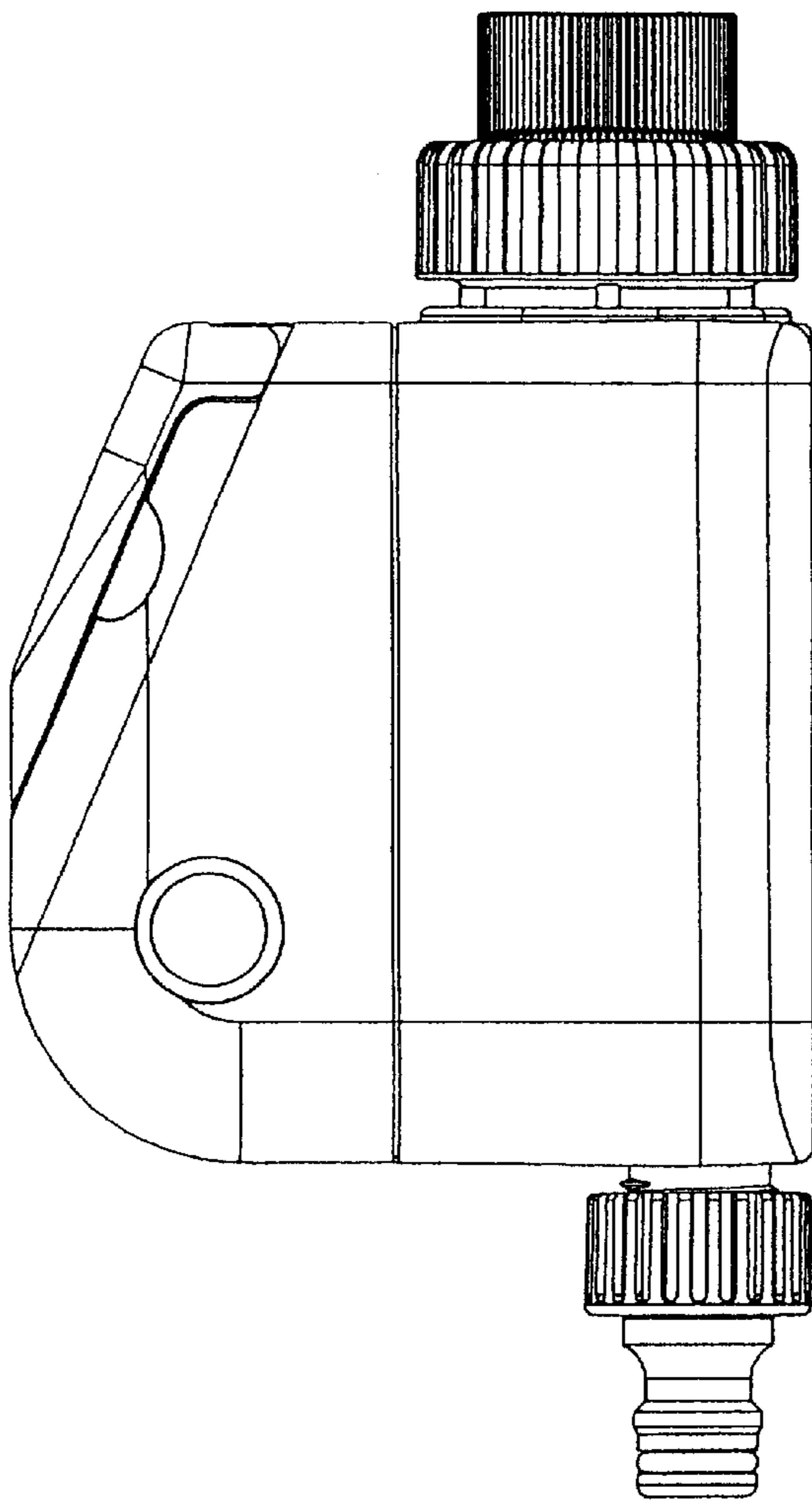


FIG. 5

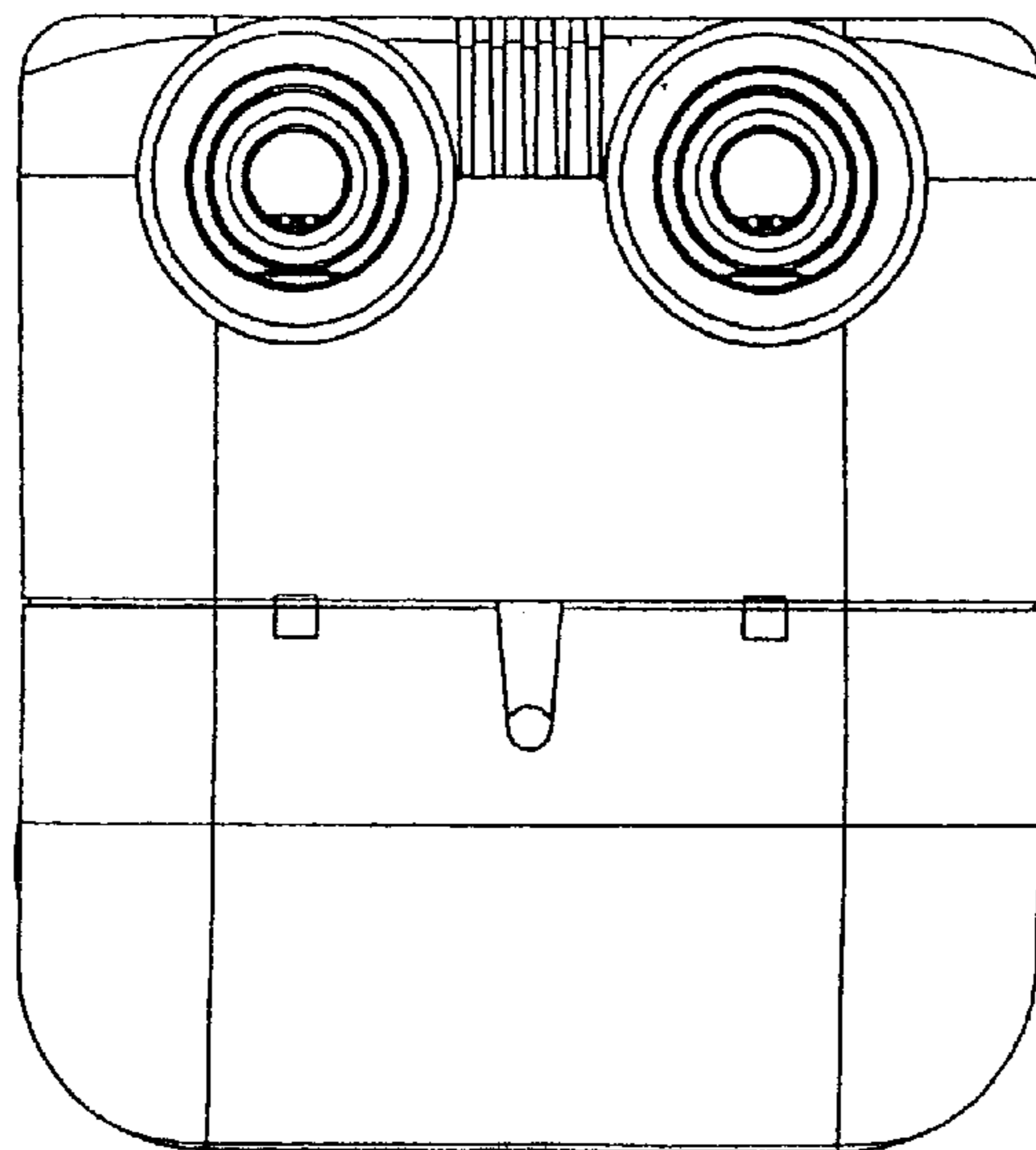


FIG. 6

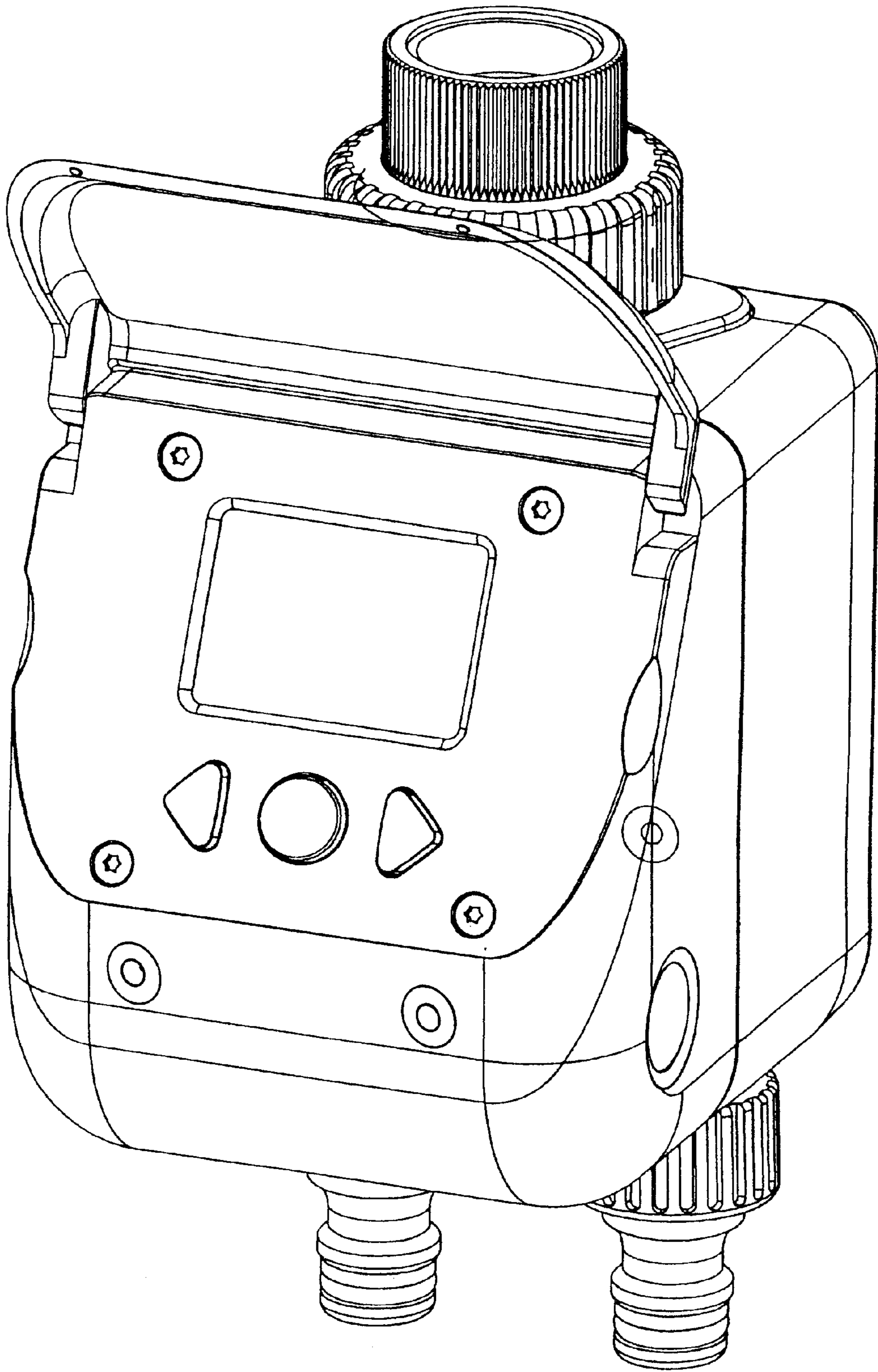


FIG. 7