



US00D477285S

(12) **United States Design Patent**
Miyamoto et al.

(10) **Patent No.:** **US D477,285 S**

(45) **Date of Patent:** **** Jul. 15, 2003**

(54) **CONNECTOR HOUSING**

(75) Inventors: **Daichi Miyamoto**, Nisshin (JP);
Kiyoshi Aramoto, Higashiosaka (JP)

(73) Assignee: **J.S.T. Mfg. Co., Ltd.**, Osaka (JP)

(**) Term: **14 Years**

(21) Appl. No.: **29/159,967**

(22) Filed: **May 2, 2002**

(30) **Foreign Application Priority Data**

Nov. 6, 2001 (JP) 2001-032642

(51) **LOC (7) Cl.** **13-03**

(52) **U.S. Cl.** **D13/147**

(58) **Field of Search** D13/146, 147;
439/353, 354, 357, 358, 680

(56) **References Cited**

U.S. PATENT DOCUMENTS

- D210,533 S * 3/1968 Pauza D13/147
- D216,888 S * 3/1970 Kunkle D13/147
- 3,523,269 A * 8/1970 Witek 439/358
- 4,008,941 A * 2/1977 Smith 439/358
- 4,832,625 A * 5/1989 Puerner 439/681
- D324,031 S * 2/1992 Lambert, II et al. D13/147

- 5,727,968 A * 3/1998 Ito 439/495
- 5,921,813 A * 7/1999 Patel et al. 439/571
- D463,371 S * 9/2002 Lee et al. D13/147

* cited by examiner

Primary Examiner—Joel Sincavage

(74) *Attorney, Agent, or Firm*—Antonelli, Terry, Stout & Kraus, LLP

(57) **CLAIM**

The ornamental design for a connector housing, as shown and described.

DESCRIPTION

FIG. 1 is a top plan view;
 FIG. 2 is a front elevation;
 FIG. 3 is a bottom plan view;
 FIG. 4 is a right-side elevation;
 FIG. 5 is a rear elevation;
 FIG. 6 is a cross section taken along the line 6—6;
 FIG. 7 is a cross section taken along the line 7—7;
 FIG. 8 is a cross section taken along the line 8—8;
 FIG. 9 is a cross section taken along the line 9—9; and,
 FIG. 10 is a perspective view.
 A left-side elevation appearing symmetrical with the right-side one is excluded from the drawings.

1 Claim, 4 Drawing Sheets

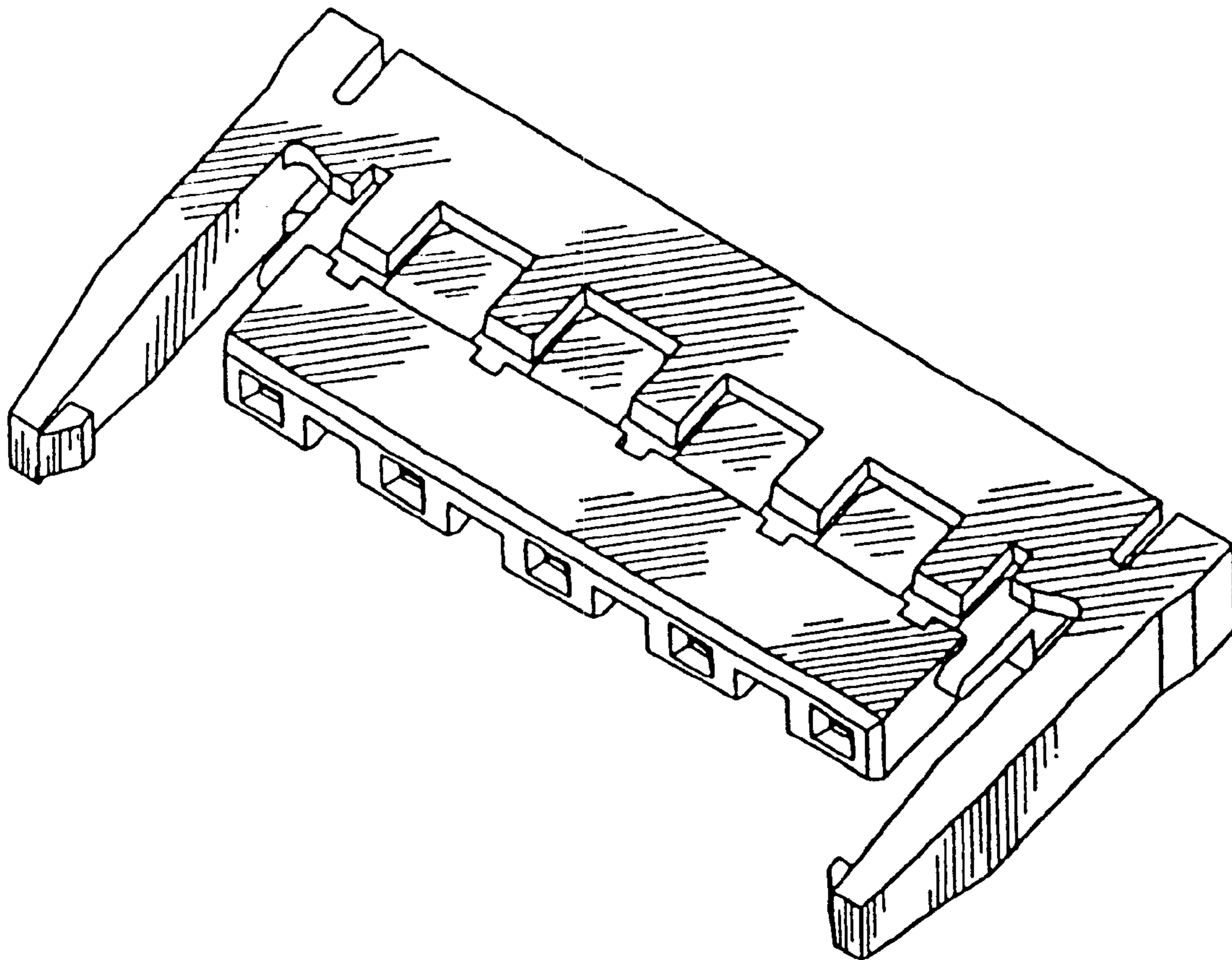


Fig. 1

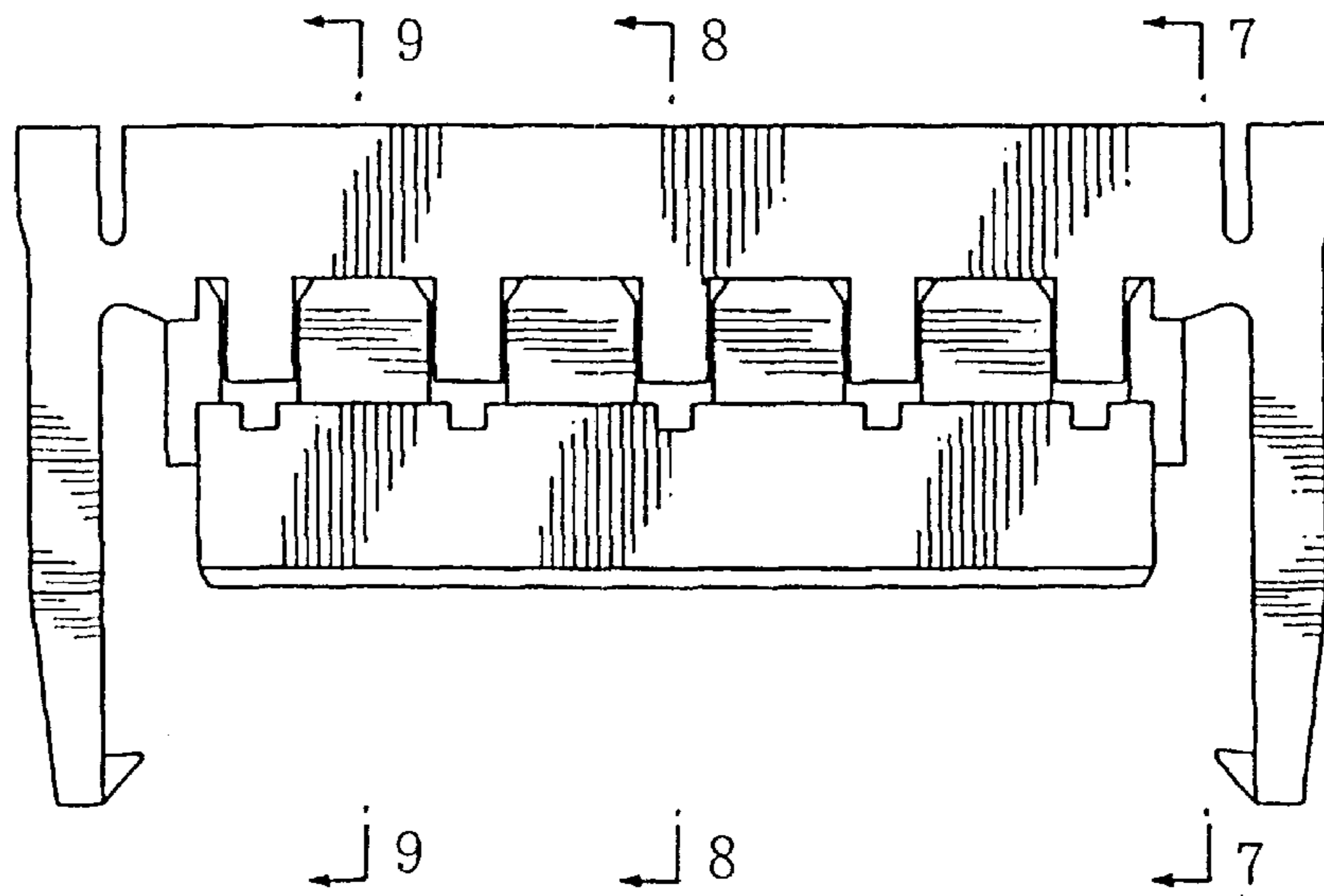


Fig. 2

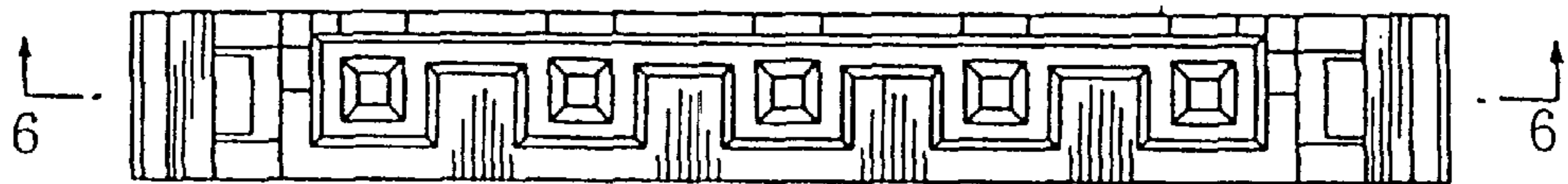


Fig. 3

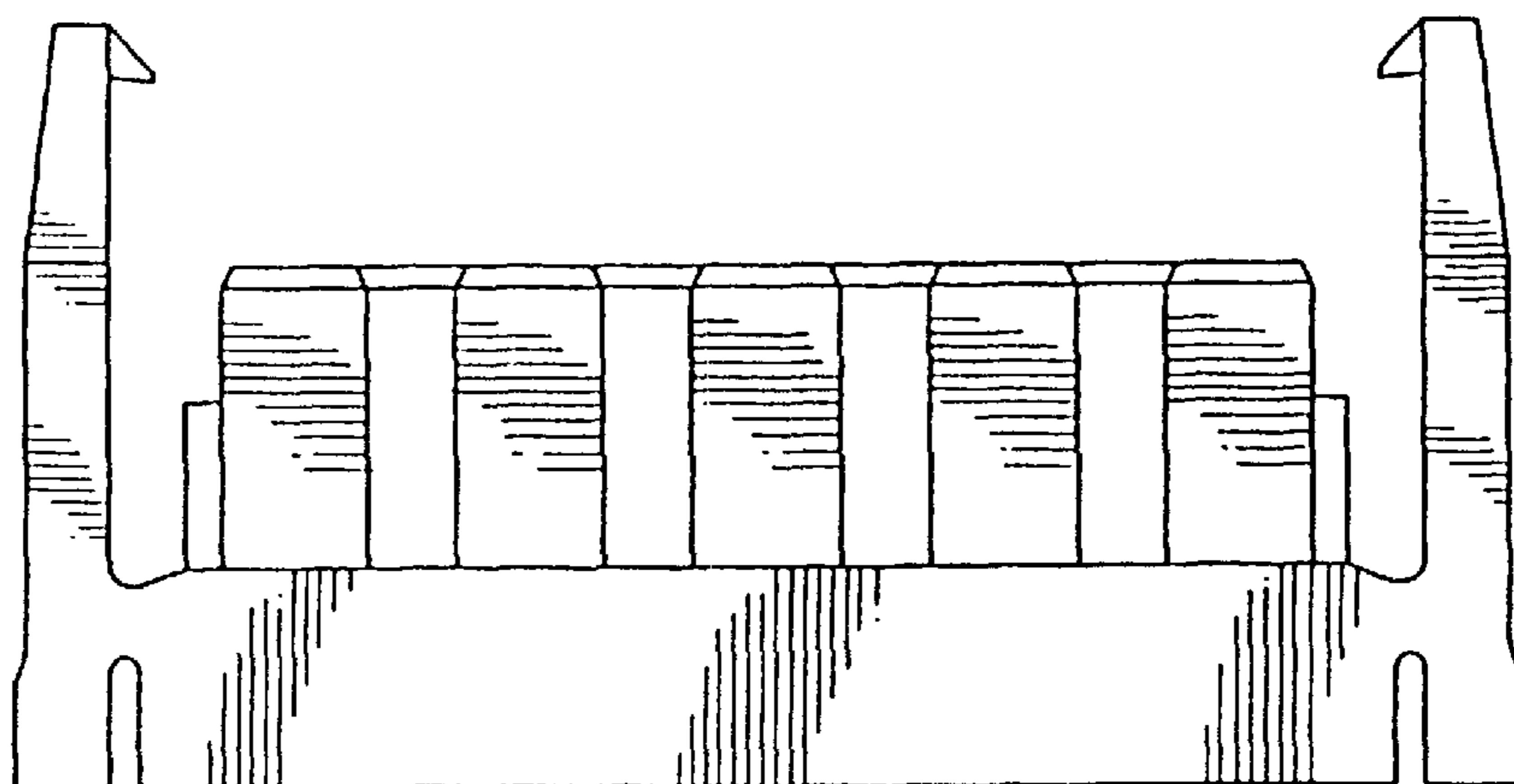


Fig. 4

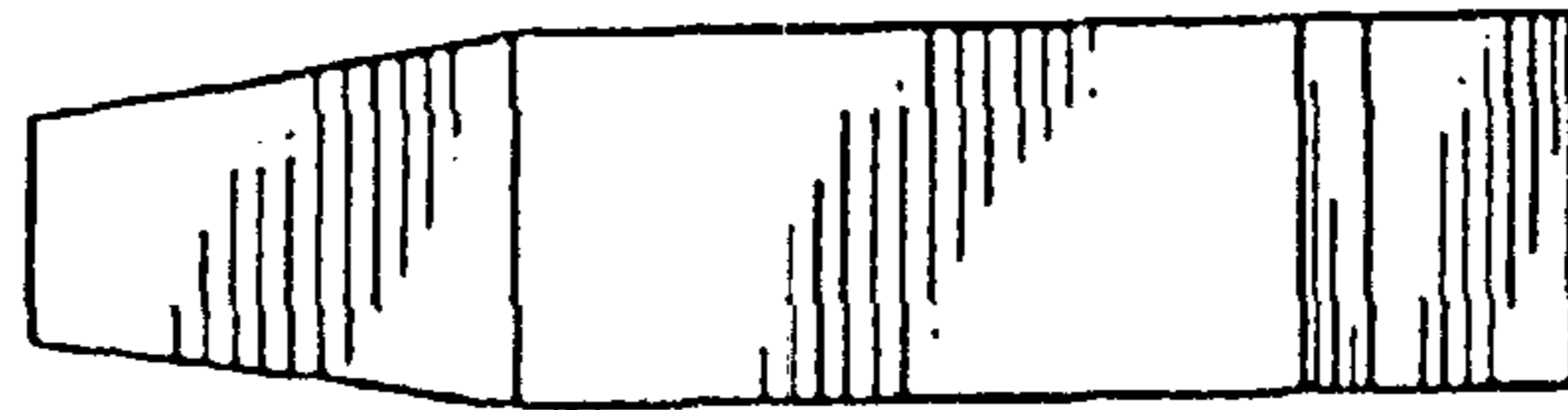


Fig. 5

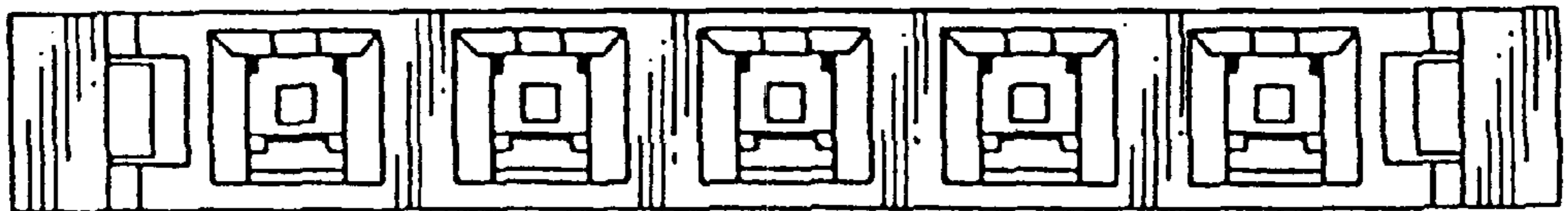


Fig. 6

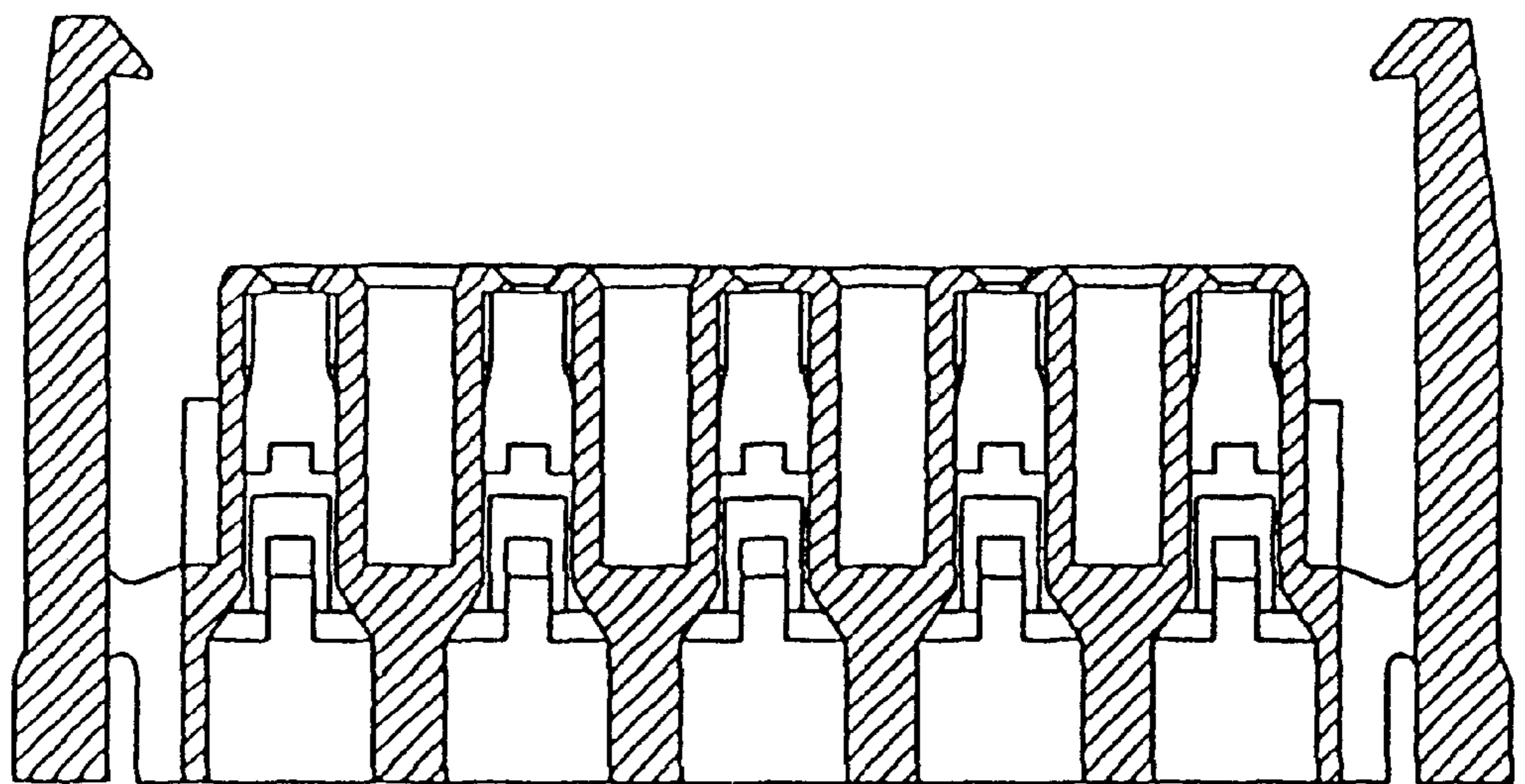


Fig. 7

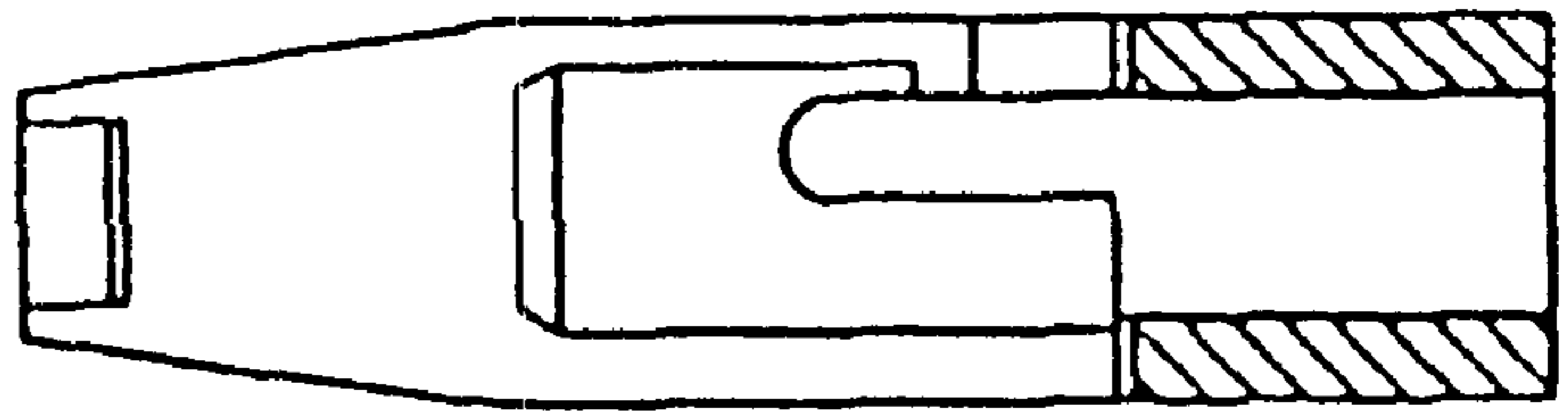


Fig. 8

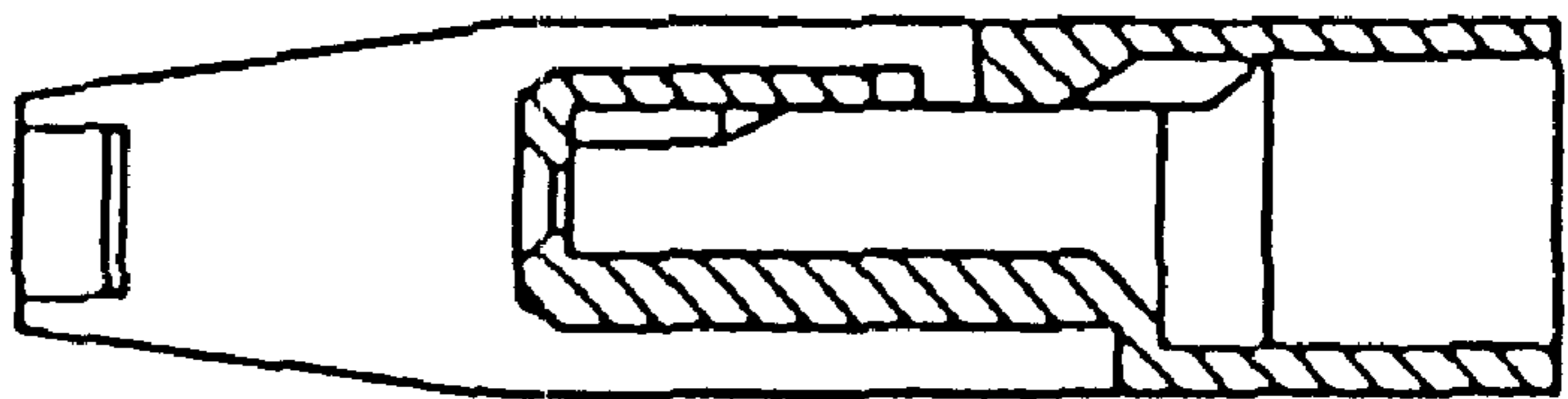


Fig. 9

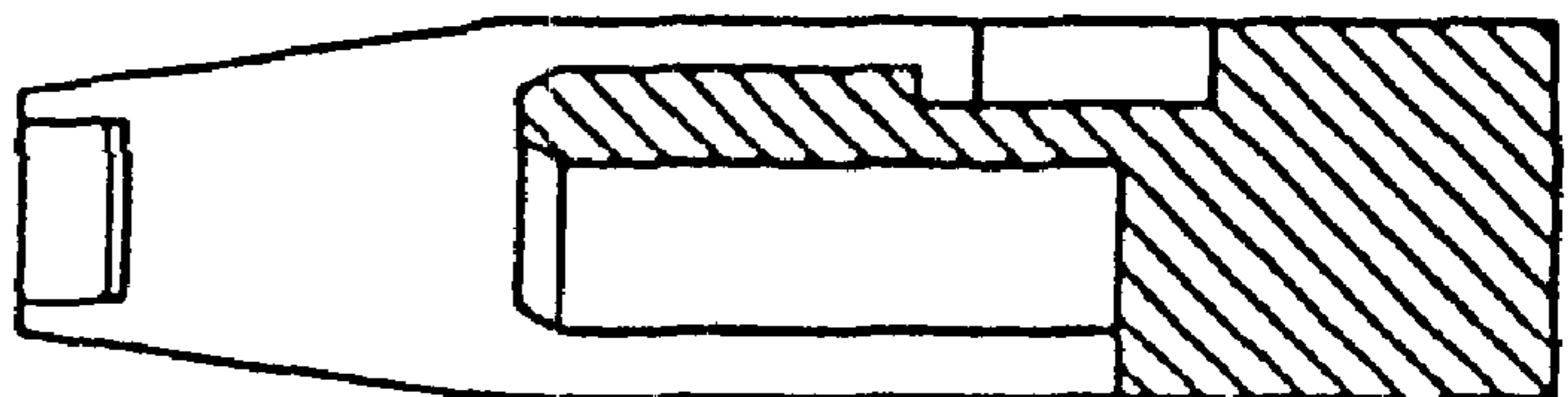


Fig. 10

