



US00D477277S

(12) **United States Design Patent**  
**Noguchi et al.**

(10) **Patent No.:** **US D477,277 S**

(45) **Date of Patent:** **\*\* Jul. 15, 2003**

(54) **POWER SUPPLY CELL**

(75) Inventors: **Shoichi Noguchi**, Saitama-ken (JP);  
**Satoshi Endo**, Saitama-ken (JP)

(73) Assignee: **Shindengen Electric Manufacturing Co., Ltd.**, Tokyo (JP)

(\*\*) Term: **14 Years**

(21) Appl. No.: **29/157,761**

(22) Filed: **Mar. 26, 2002**

(30) **Foreign Application Priority Data**

Sep. 26, 2001 (JP) ..... 2001-028037

(51) **LOC (7) Cl.** ..... **13-02**

(52) **U.S. Cl.** ..... **D13/110**

(58) **Field of Search** ..... D13/110; 439/500;  
429/97

(56) **References Cited**

**U.S. PATENT DOCUMENTS**

D316,396 S \* 4/1991 Decosse et al. .... D13/103  
5,833,491 A \* 11/1998 Suzuki ..... 429/97

\* cited by examiner

*Primary Examiner*—Lisa Lichtenstein

(74) *Attorney, Agent, or Firm*—Antonelli, Terry, Stout & Kraus, LLP

(57) **CLAIM**

The ornamental design for a power supply cell, as shown and described.

**DESCRIPTION**

FIG. 1 is a front, plan and right side perspective view of a power supply cell showing our new design; FIG. 2 is a front elevational view thereof; FIG. 3 is a rear elevational view thereof; FIG. 4 is a top plan view thereof; FIG. 5 is a bottom plan view thereof; and, FIG. 6 is a left side elevational view thereof.

The right side elevational view is a mirror image of the left side elevational view of FIG. 6.

The broken line showing of environmental structure in FIGS. 1 and 3-6 is for illustrative purposes only and forms no part of the claimed design.

**1 Claim, 2 Drawing Sheets**

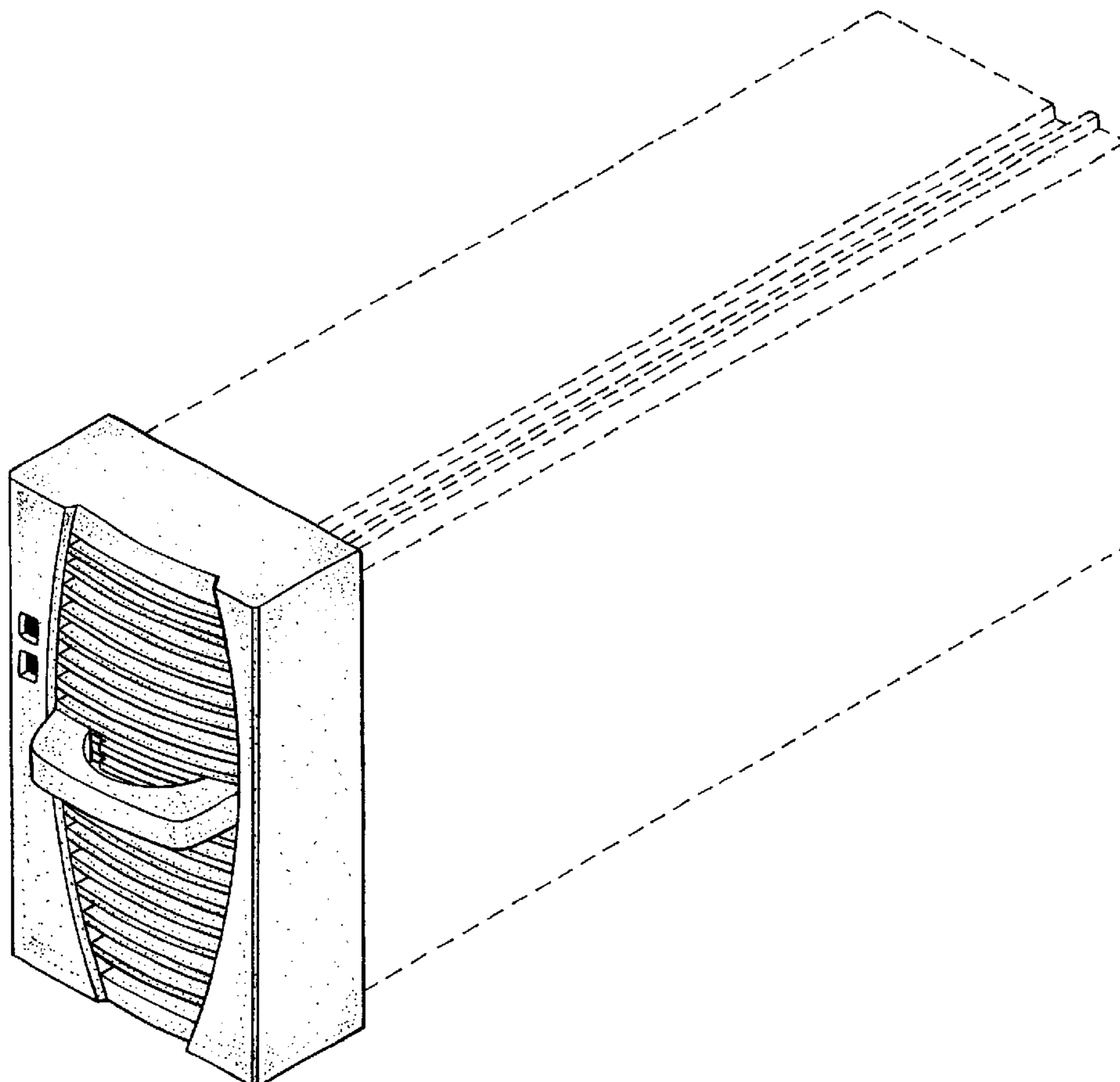


FIG. 1

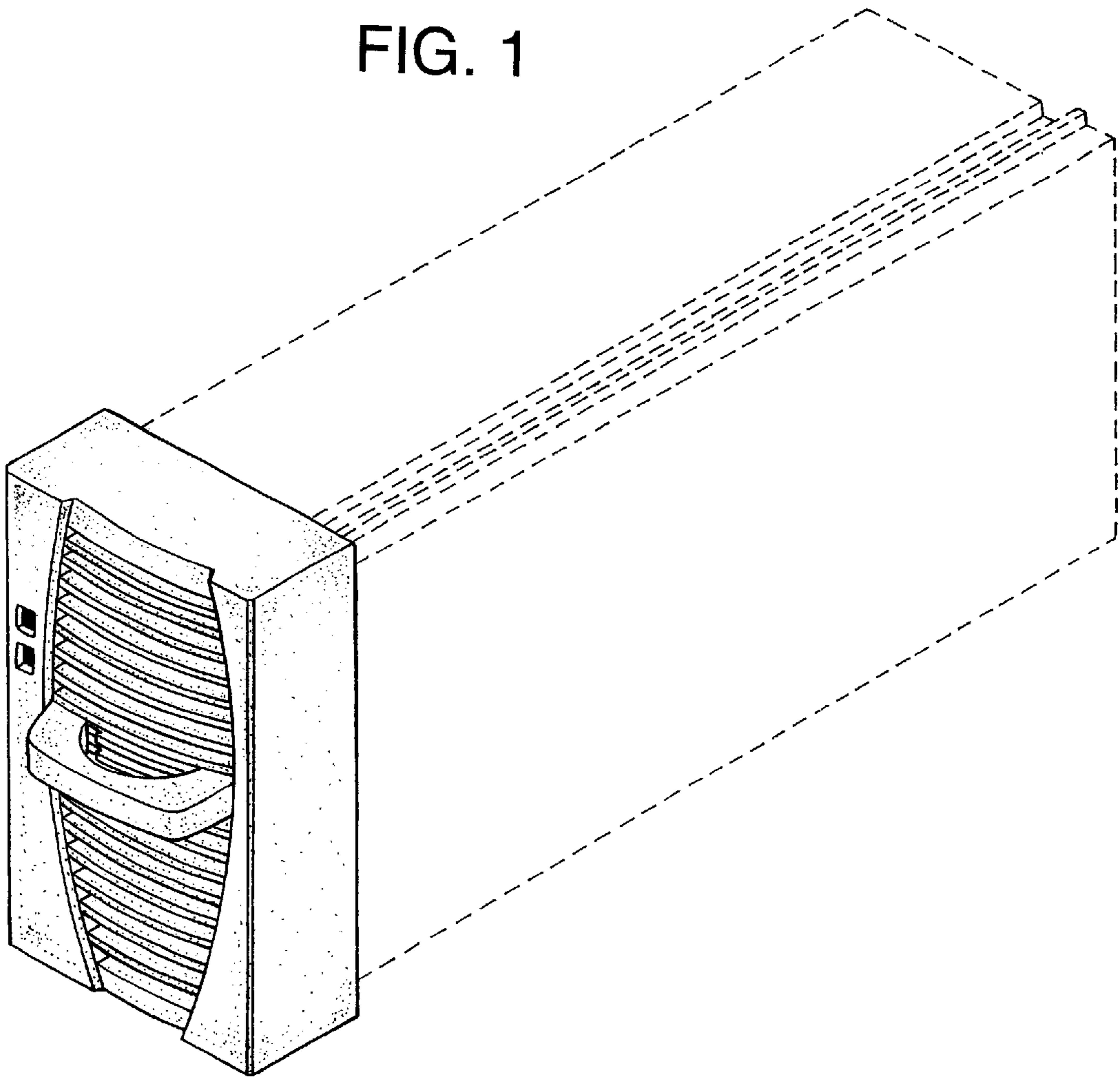


FIG. 2

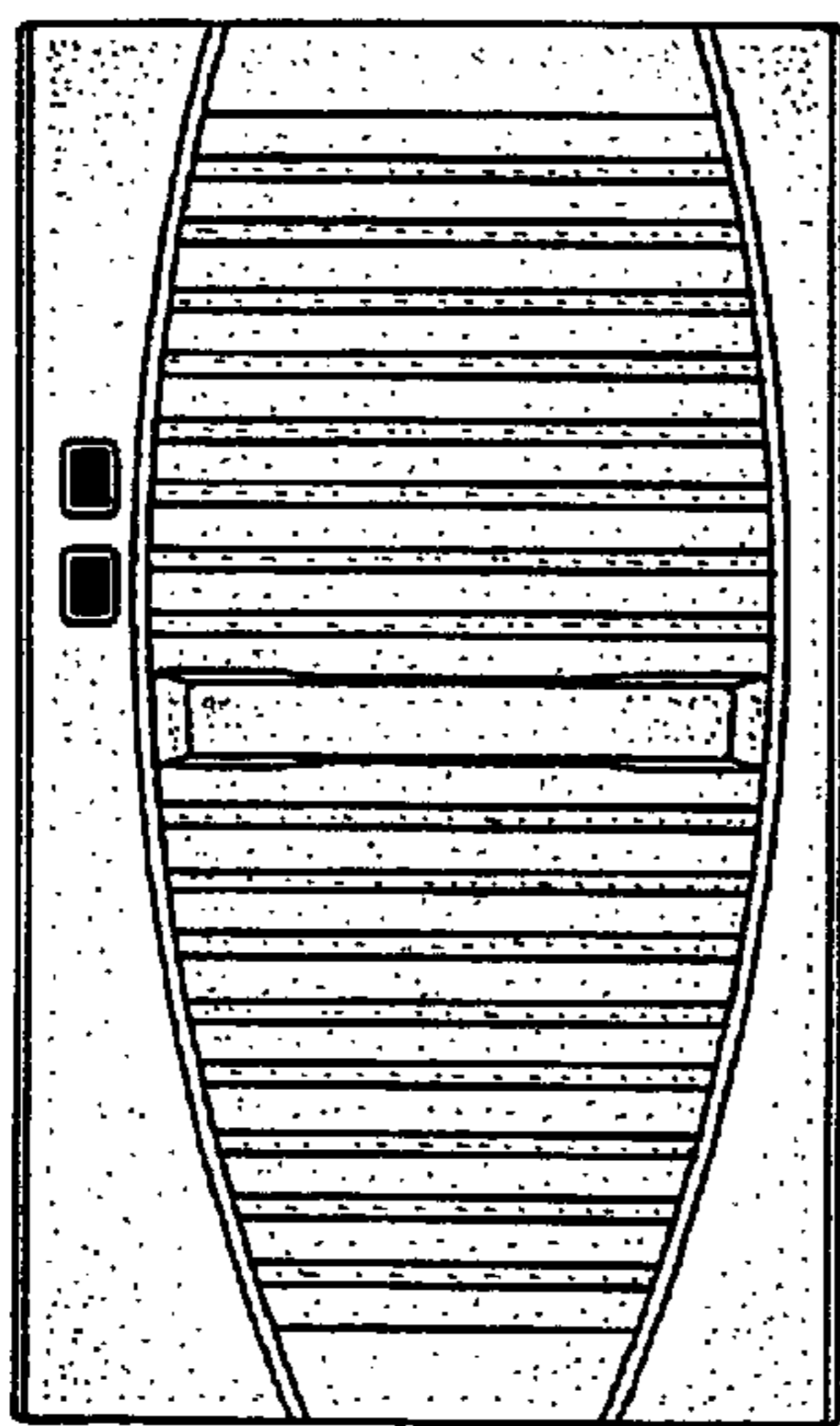


FIG. 3

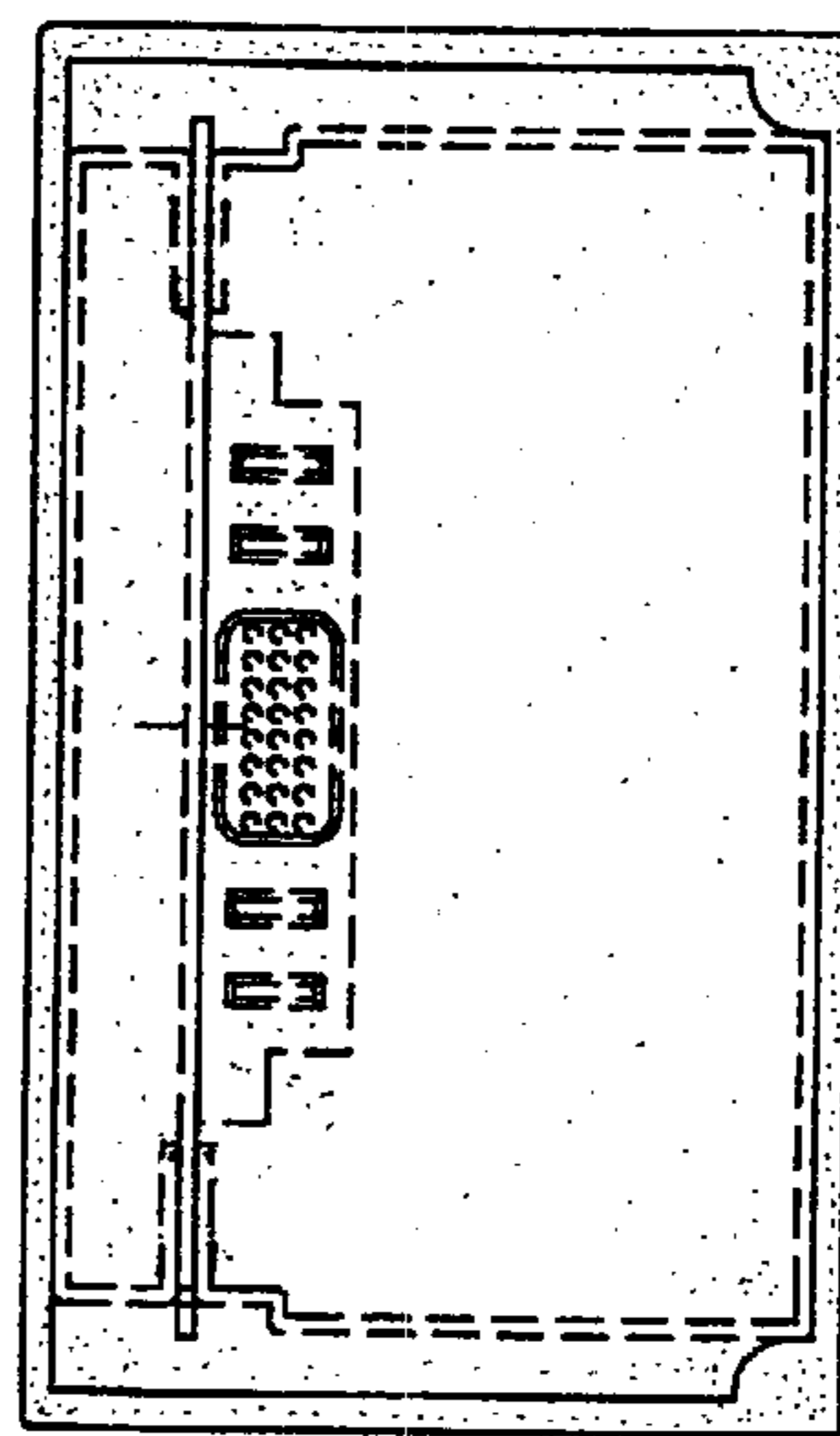


FIG. 4

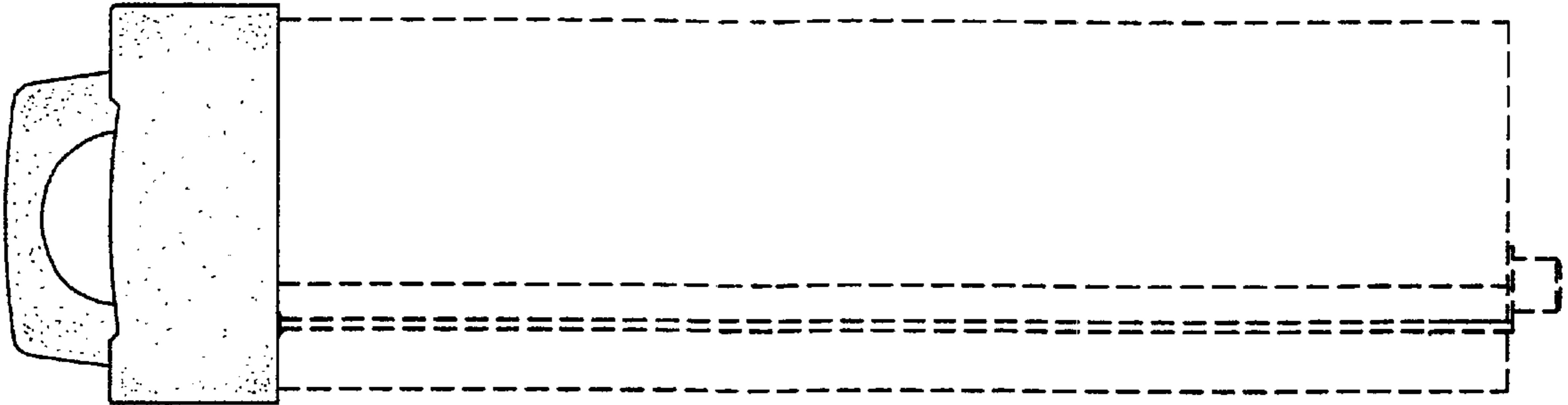


FIG. 5

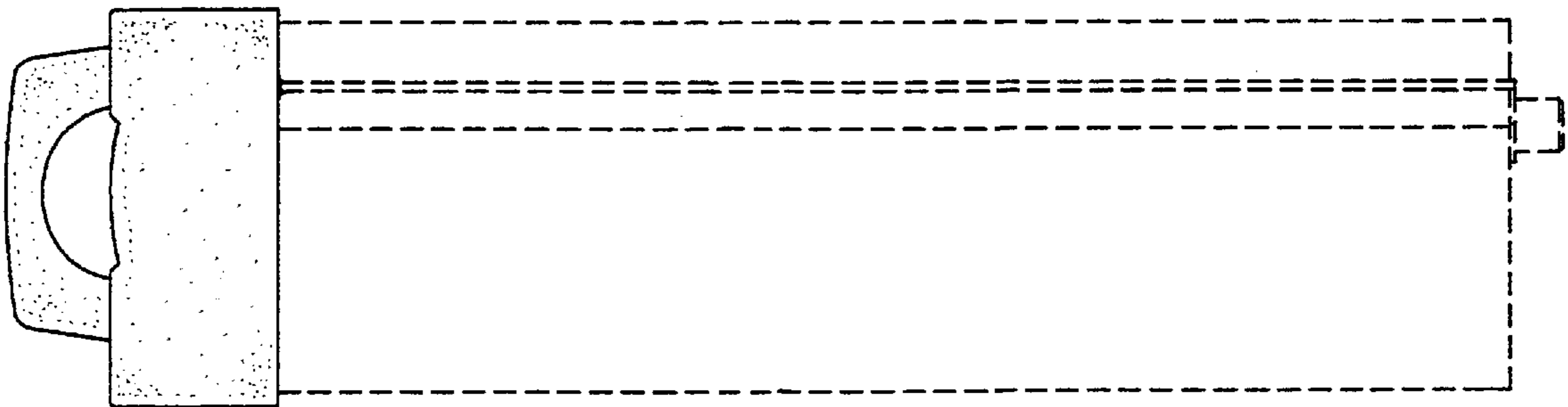


FIG. 6

