



US00D477276S

(12) **United States Design Patent**
Katsumoto et al.

(10) **Patent No.: US D477,276 S**

(45) **Date of Patent: ** *Jul. 15, 2003**

(54) **BATTERY**

(75) Inventors: **Masumi Katsumoto**, Kanagawa (JP);
Masaharu Miyahisa, Kanagawa (JP);
Masahiko Kato, Kanagawa (JP);
Yoshihiro Boki, Kanagawa (JP)

(73) Assignee: **Matsushita Electric Industrial Co., Ltd.**, Osaka (JP)

(*) Notice: This patent is subject to a terminal disclaimer.

(**) Term: **14 Years**

(21) Appl. No.: **29/157,037**

(22) Filed: **Mar. 12, 2002**

(30) **Foreign Application Priority Data**

Sep. 12, 2001 (JP) 2001-026767

(51) **LOC (7) Cl.** **13-02**

(52) **U.S. Cl.** **D13/103**

(58) **Field of Search** D13/103; 429/96-100,
429/133, 159, 163, 161, 164-170, 175,
176, 178, 181, 208, 209

(56) **References Cited**

U.S. PATENT DOCUMENTS

334,027 A * 1/1886 Meeker 429/176
D292,913 S * 11/1987 Shaper D13/103
4,861,685 A * 8/1989 Tien et al. 429/7
5,418,087 A * 5/1995 Klein 429/164 X

5,677,080 A * 10/1997 Chen 429/167
5,691,073 A * 11/1997 Vu et al. 429/170 X
5,800,945 A * 9/1998 Grivel et al. 429/176
5,874,181 A * 2/1999 Tam 429/99 X
D413,858 S * 9/1999 Murakami et al. D13/103
6,248,472 B1 * 6/2001 Kelemen 429/163
D455,711 S * 4/2002 Fuhr et al. D13/103

FOREIGN PATENT DOCUMENTS

JP 850073 10/1992
JP 850073 2/1995

* cited by examiner

Primary Examiner—Joel Sincavage

(74) *Attorney, Agent, or Firm*—Christensen O'Connor Johnson Kindness PLLC

(57) **CLAIM**

The ornamental design for a battery, as shown and described.

DESCRIPTION

FIG. 1 is a perspective view of the top, front and right side of a battery showing our new design;

FIG. 2 is a front view thereof, a rear view is being identical thereto;

FIG. 3 is a right side view thereof, a left side view is being identical thereto;

FIG. 4 is a top plan view thereof; and,

FIG. 5 is a bottom view thereof.

The elements shown in phantom lines do not form any part of the claimed design.

1 Claim, 1 Drawing Sheet

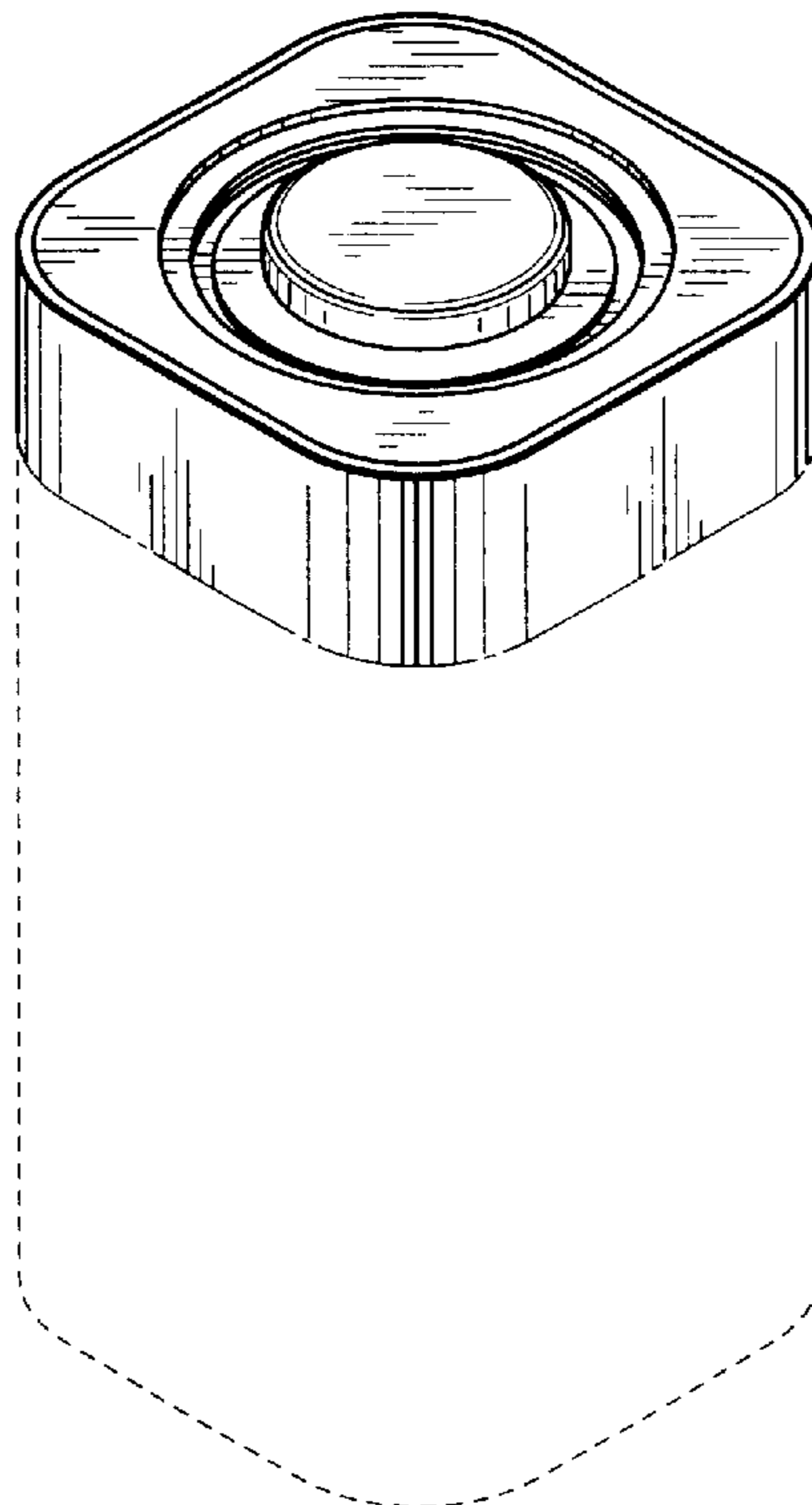


FIG. 1

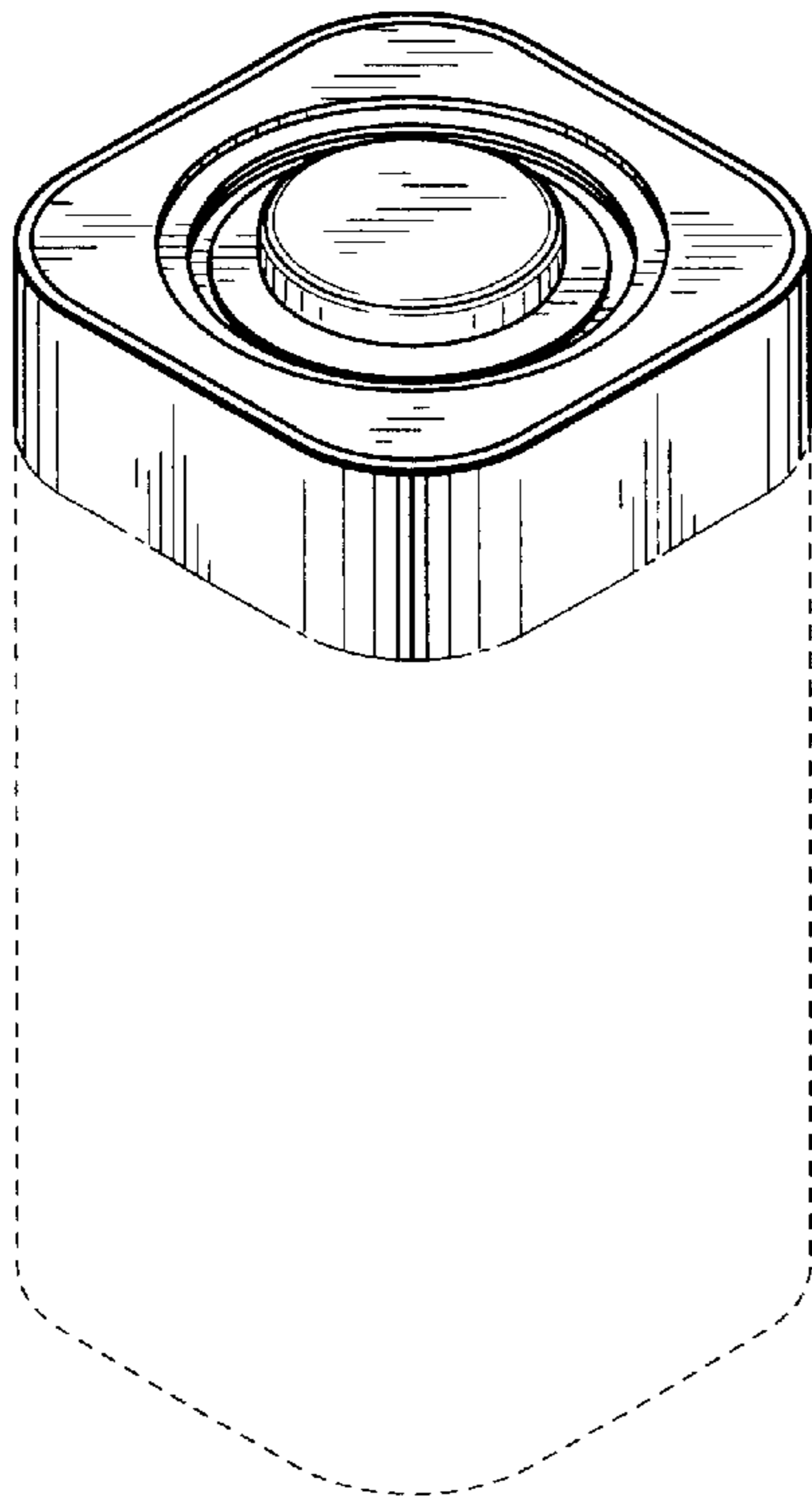


FIG. 2

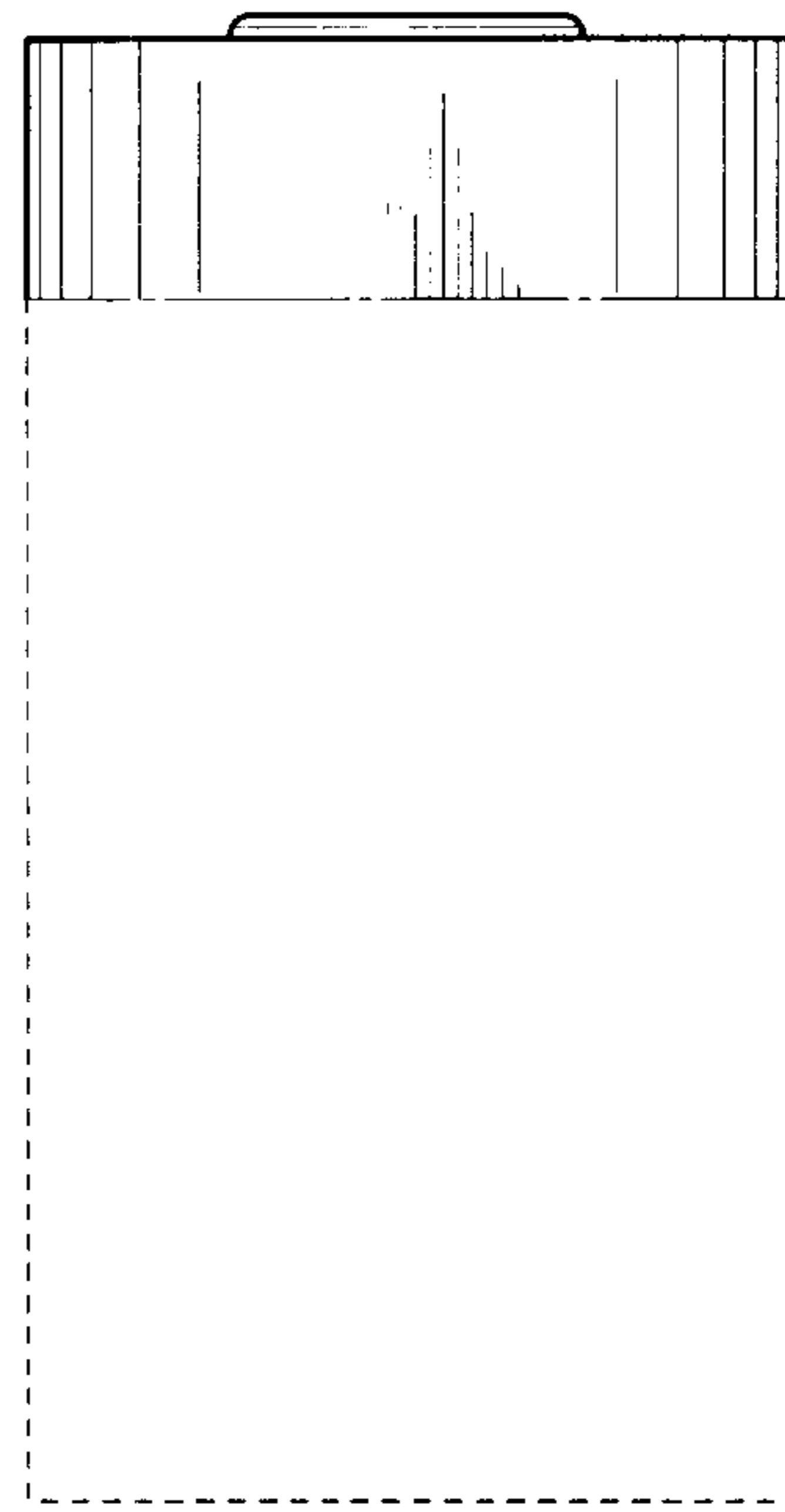


FIG. 3

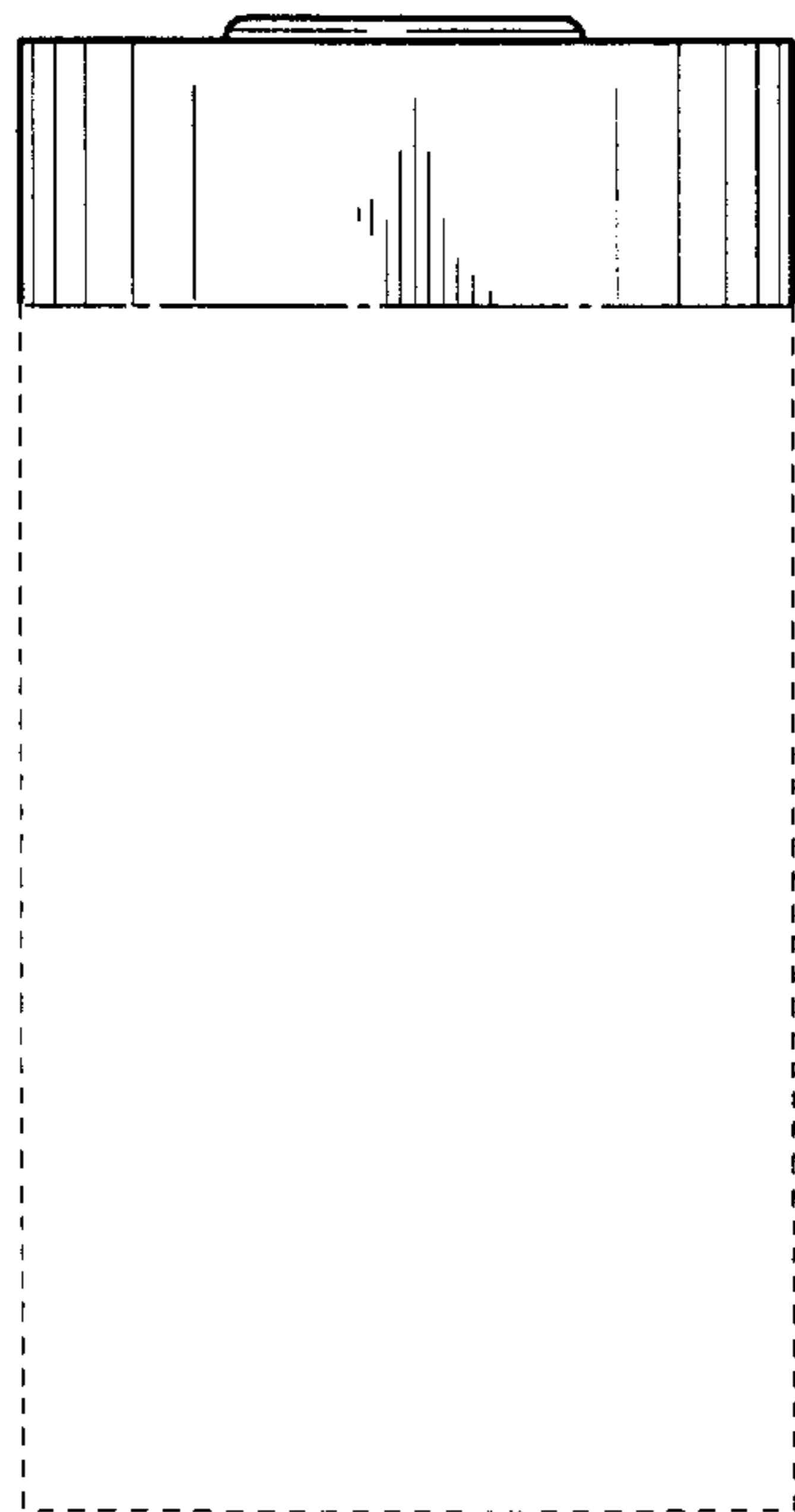


FIG. 4

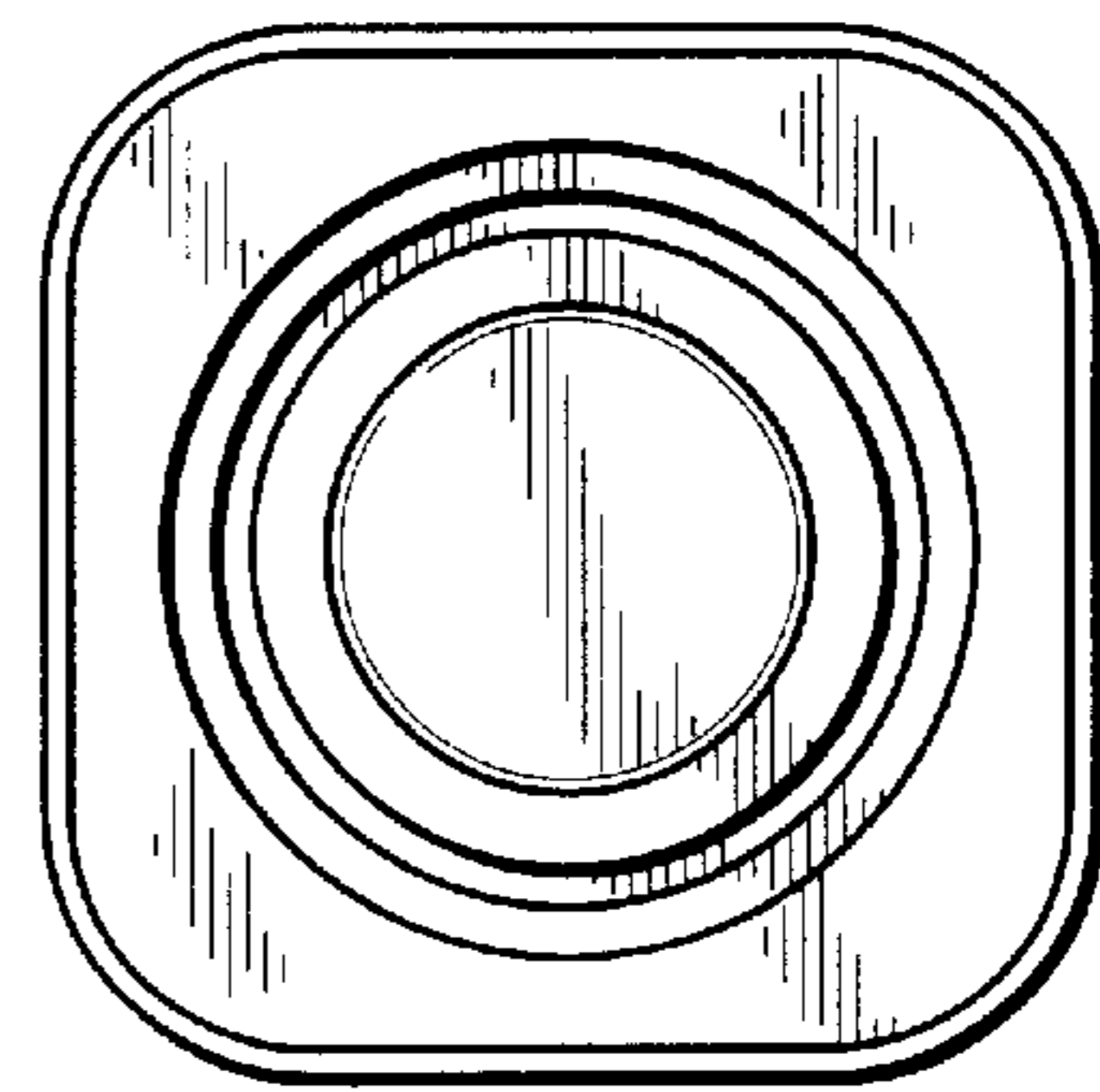


FIG. 5

