



US00D477275S

(12) **United States Design Patent**
Wada

(10) **Patent No.:** **US D477,275 S**

(45) **Date of Patent:** **** Jul. 15, 2003**

(54) **STORAGE BATTERY**

D448,003 S * 9/2001 Ogasawara D13/103
D461,163 S * 8/2002 Hirano et al. D13/103

(75) Inventor: **Jo Wada**, Tokyo (JP)

FOREIGN PATENT DOCUMENTS

(73) Assignee: **Sony Corporation**, Tokyo (JP)

WO 058146 * 9/2001 13/2

(**) Term: **14 Years**

* cited by examiner

(21) Appl. No.: **29/153,637**

Primary Examiner—Joel Sincavage

(22) Filed: **Jan. 14, 2002**

(74) *Attorney, Agent, or Firm*—Rader, Fishman & Grauer
PLLC

(51) **LOC (7) Cl.** **13-02**

(57) **CLAIM**

(52) **U.S. Cl.** **D13/103**

The ornamental design for a storage battery, as shown and described.

(58) **Field of Search** D13/103; 429/96–150,
429/159, 163, 176; 361/683

DESCRIPTION

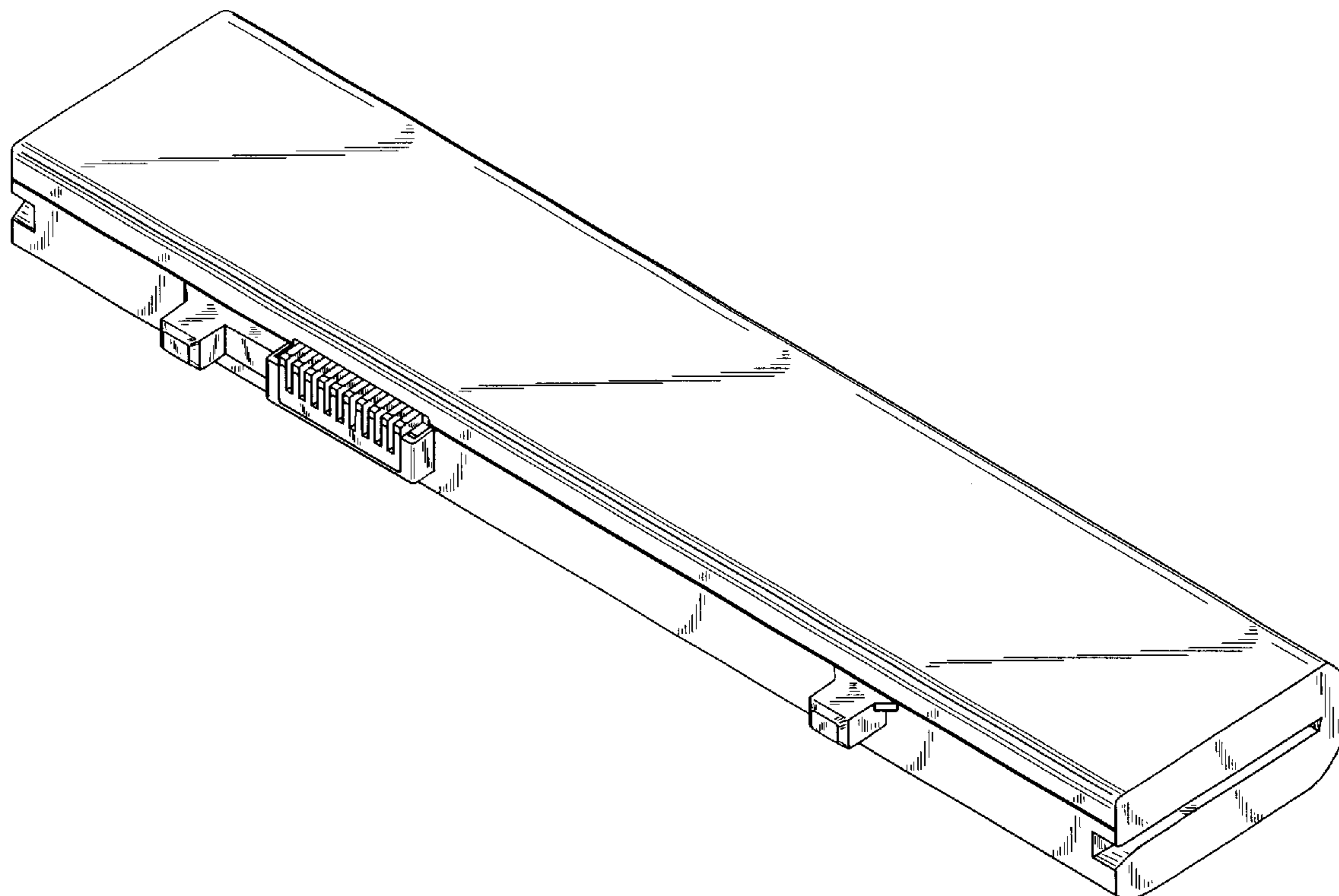
(56) **References Cited**

U.S. PATENT DOCUMENTS

D346,581 S	*	5/1994	Tattari	D13/103
D349,484 S	*	8/1994	Kuzumoto et al.	D13/103
D405,755 S	*	2/1999	Arai et al.	D13/103
D413,300 S	*	8/1999	Igarashi	D13/103
D415,466 S	*	10/1999	Kawa	D13/103
D425,015 S	*	5/2000	Iwamoto	D13/103
D431,227 S		9/2000	Ogasawara		
D431,808 S	*	10/2000	Ogasawara	D13/103
6,233,141 B1	*	5/2001	Lee et al.	361/683

FIG. 1 is a perspective view of a storage battery showing my new design;
FIG. 2 is a front elevational view thereof;
FIG. 3 is a rear elevational view thereof;
FIG. 4 is a left side view thereof;
FIG. 5 is a right side view thereof;
FIG. 6 is a top plan view thereof; and,
FIG. 7 is a bottom plan view thereof.

1 Claim, 4 Drawing Sheets



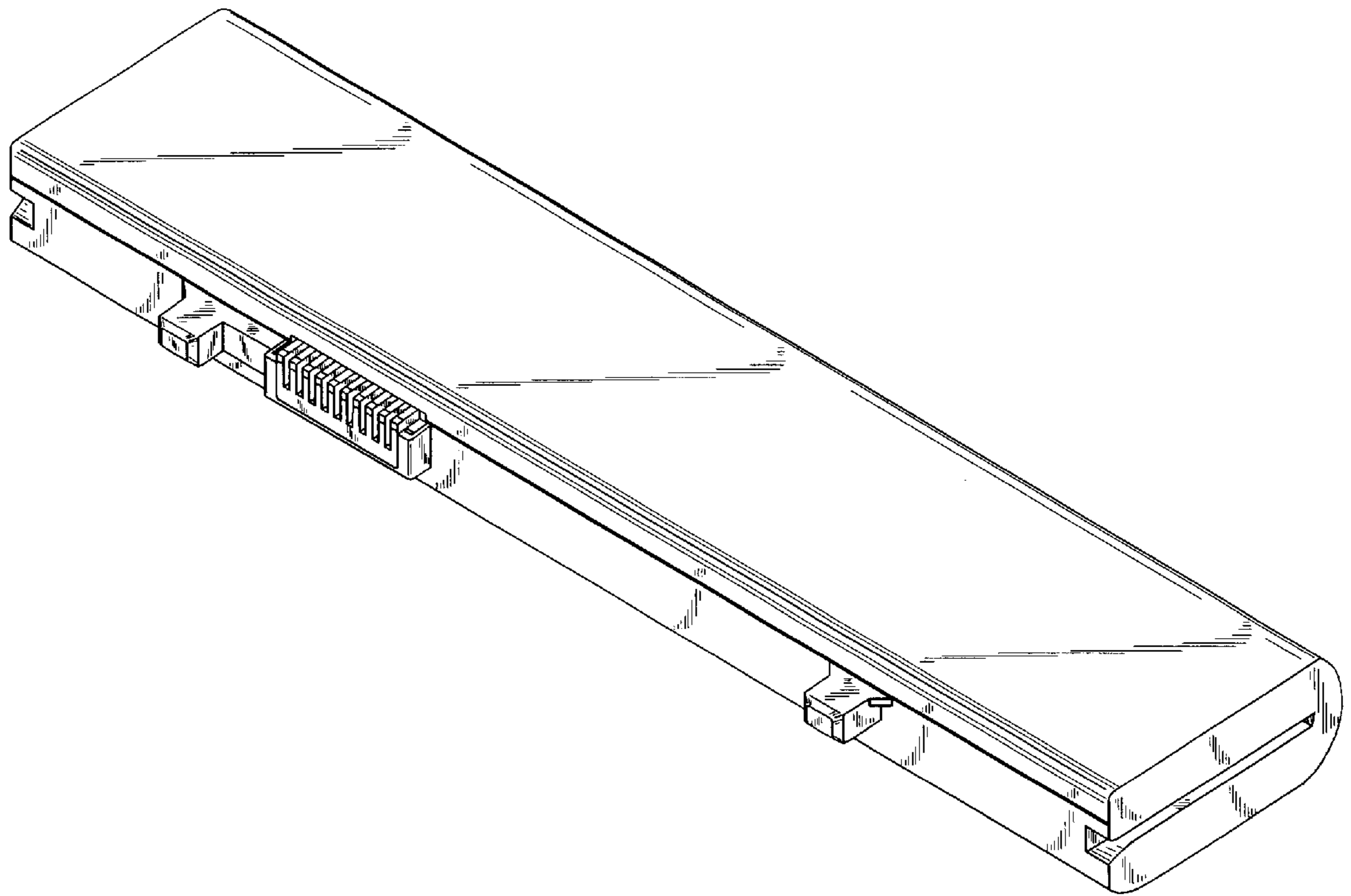


Fig. 1



Fig. 2

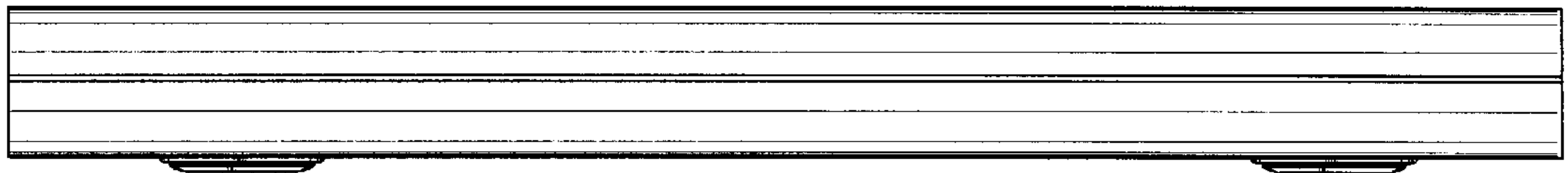


Fig. 3

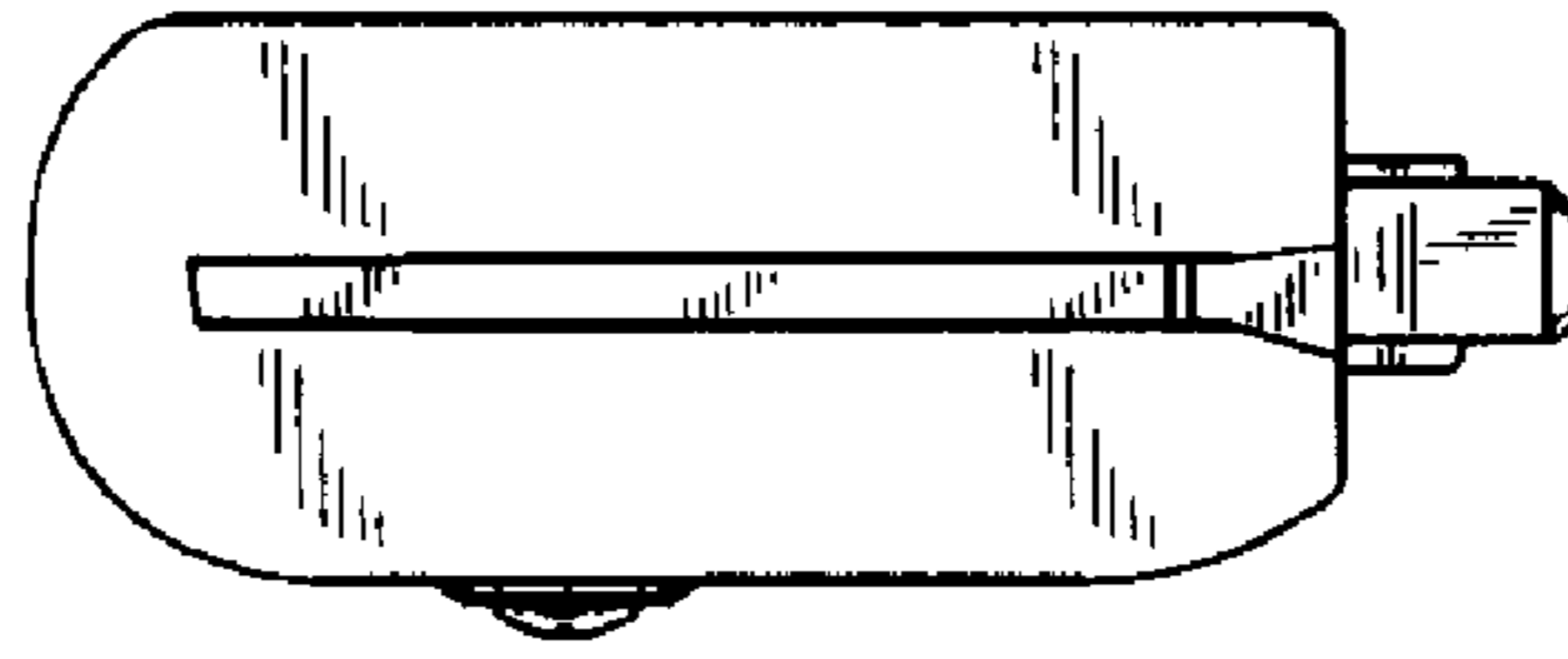


Fig. 4

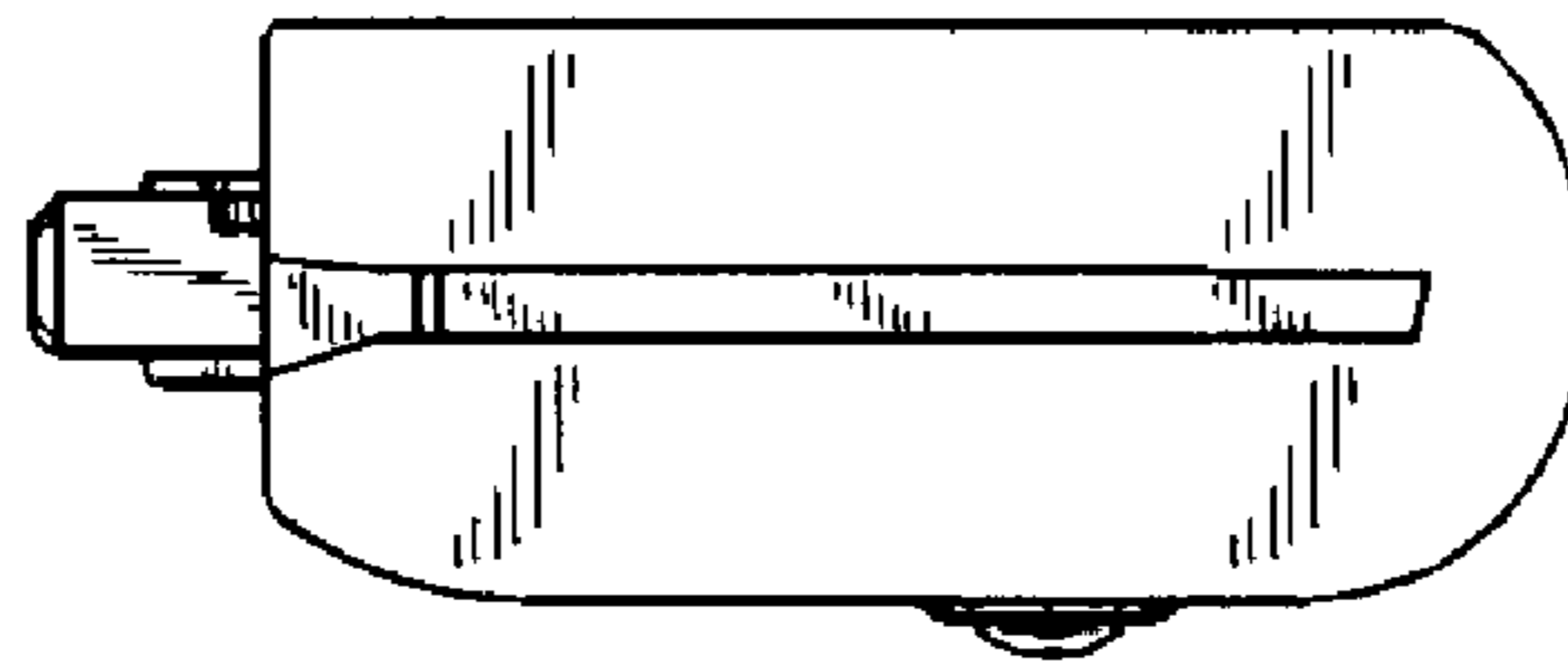


Fig. 5

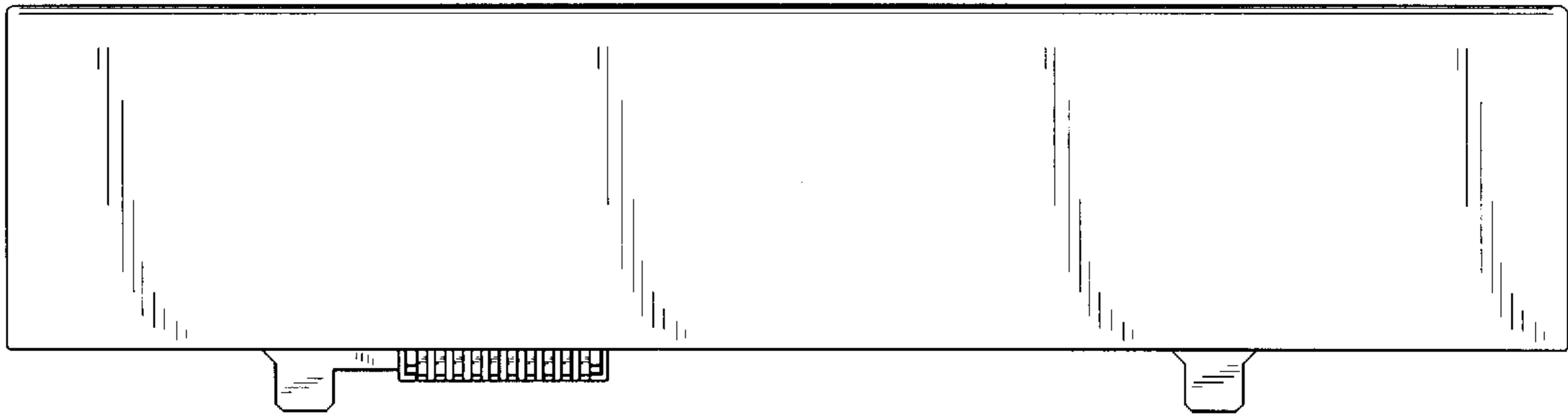


Fig. 6

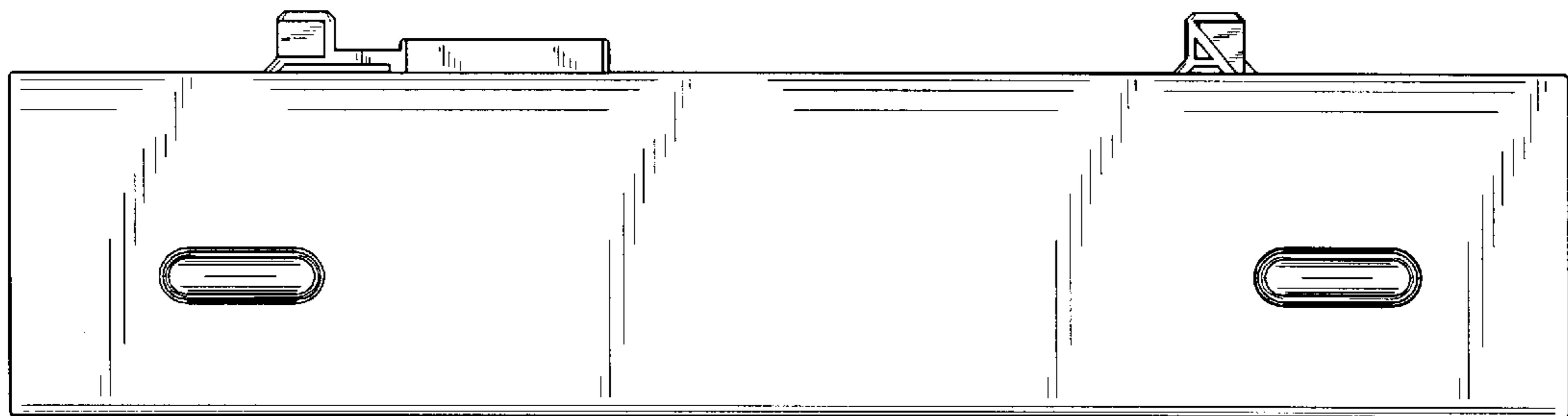


Fig. 7