



US00D477272S

(12) **United States Design Patent**
Holub

(10) **Patent No.:** **US D477,272 S**

(45) **Date of Patent:** **** Jul. 15, 2003**

(54) **SADDLE CARRIER**

D430,531 S 9/2000 Bally et al.

(76) Inventor: **David G. Holub**, 9650 134th St.,
Cologne, MN (US) 55322

* cited by examiner

(**) Term: **14 Years**

Primary Examiner—Joel Sincavage

Assistant Examiner—Linda Brooks

(21) Appl. No.: **29/158,802**

(74) *Attorney, Agent, or Firm*—Hoffman, Wasson & Gitler,
P.C.

(22) Filed: **Apr. 11, 2002**

(57) **CLAIM**

(51) **LOC (7) Cl.** **12-16**

The ornamental design for a saddle carrier, as shown and described.

(52) **U.S. Cl.** **D12/407**

(58) **Field of Search** D12/406, 407;
224/412, 419, 422-432, 441-462, 924

DESCRIPTION

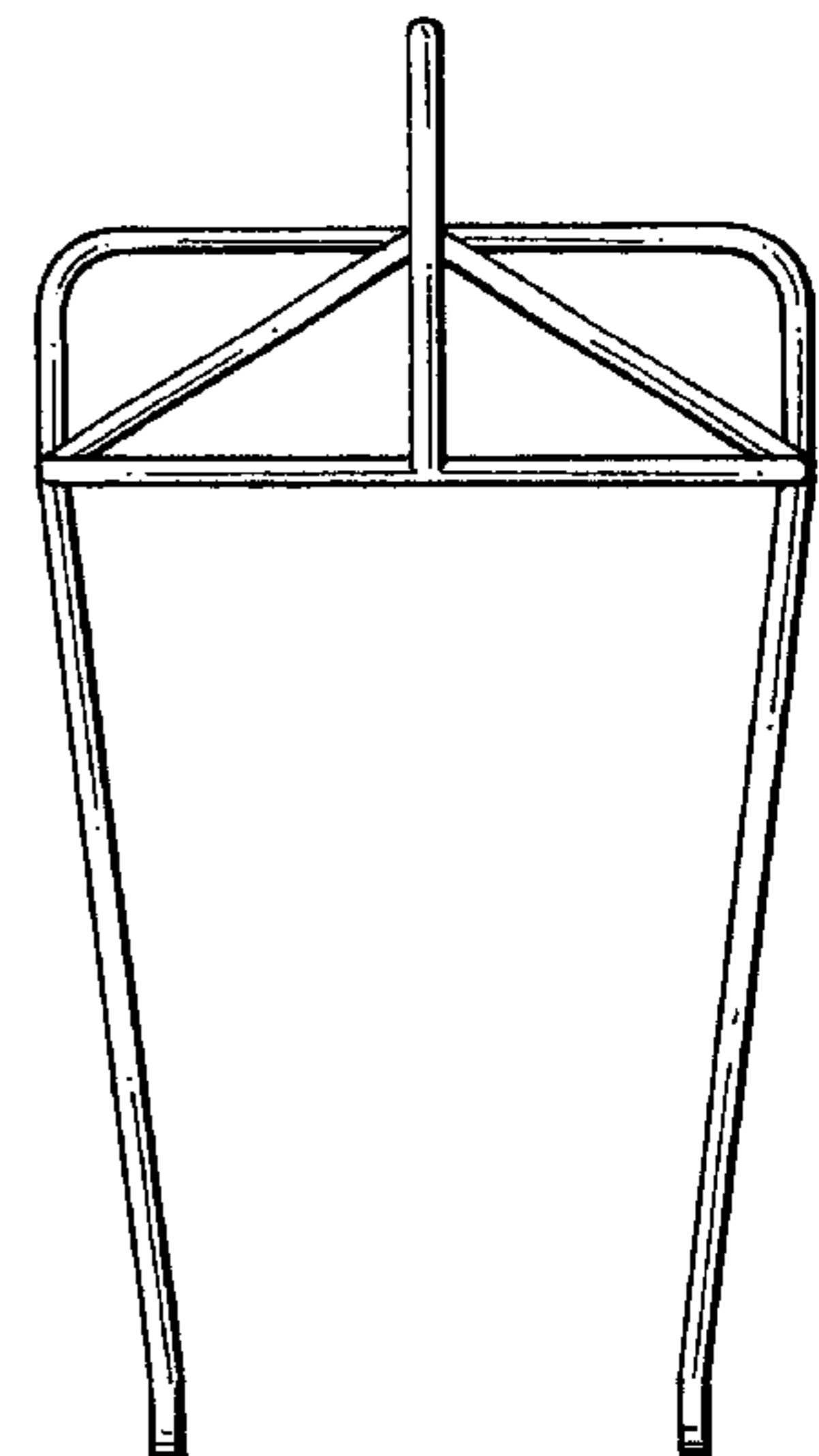
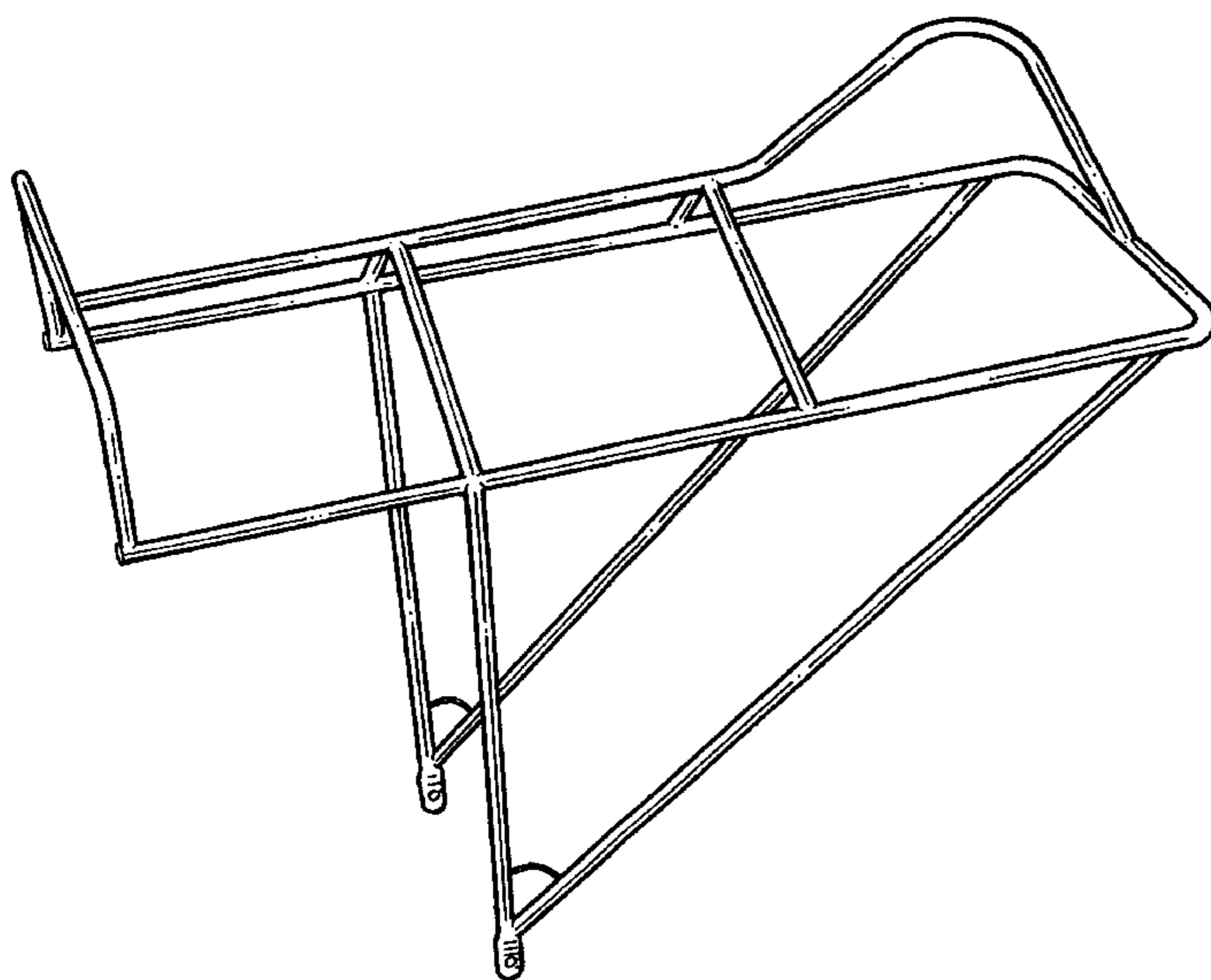
(56) **References Cited**

U.S. PATENT DOCUMENTS

4,345,703 A	8/1982	Allen	
D310,809 S	* 9/1990	Pawsat et al. D12/407
5,244,132 A	9/1993	Christen	
RE34,474 E	12/1993	Lutz	
D352,267 S	11/1994	Blackburn	
5,617,983 A	4/1997	Lindauer et al.	
D386,468 S	11/1997	Gogan et al.	
D405,412 S	2/1999	Gogan et al.	

FIG. 1 is a side view of the saddle carrier in accordance with the invention attached to a bicycle;
 FIG. 2 is a perspective view of the saddle carrier;
 FIG. 3 is a left side view of the saddle carrier, the right side view is the mirror image;
 FIG. 4 is a top view of the saddle carrier;
 FIG. 5 is a rear view of the saddle carrier; and,
 FIG. 6 is a front view of the saddle carrier.
 The elements shown in broken lines do not constitute part of the invention.

1 Claim, 4 Drawing Sheets



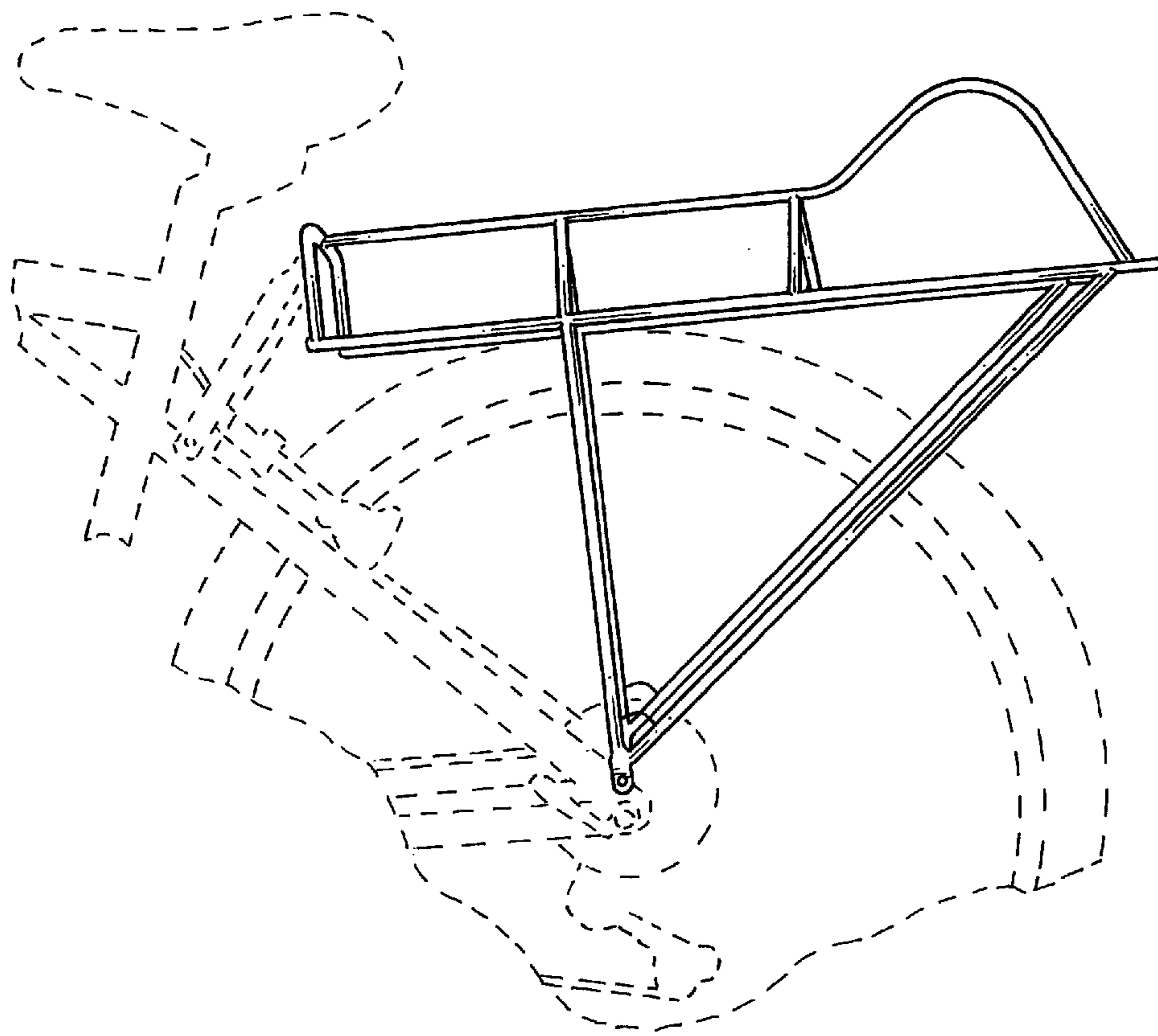


FIG. 1

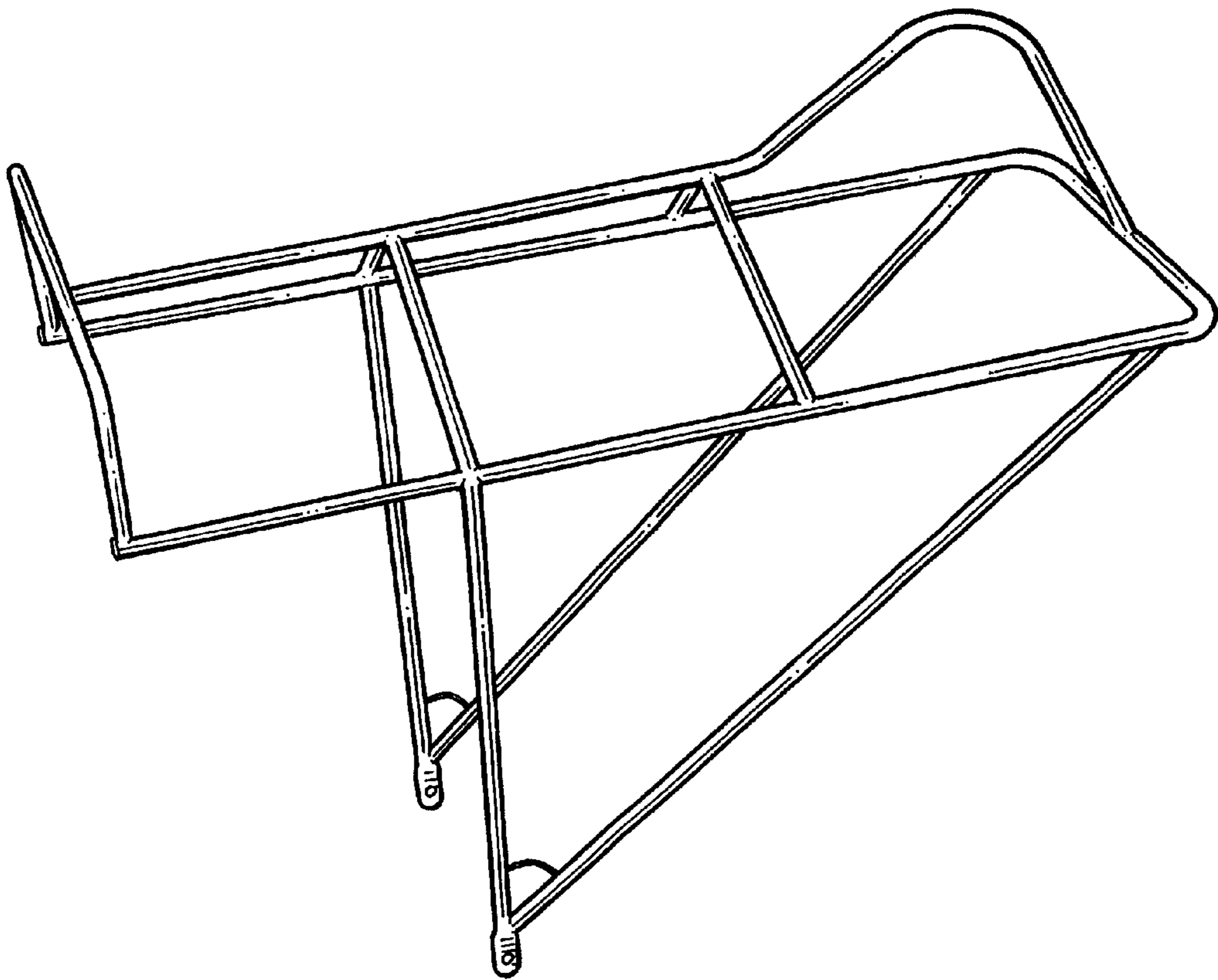


FIG. 2

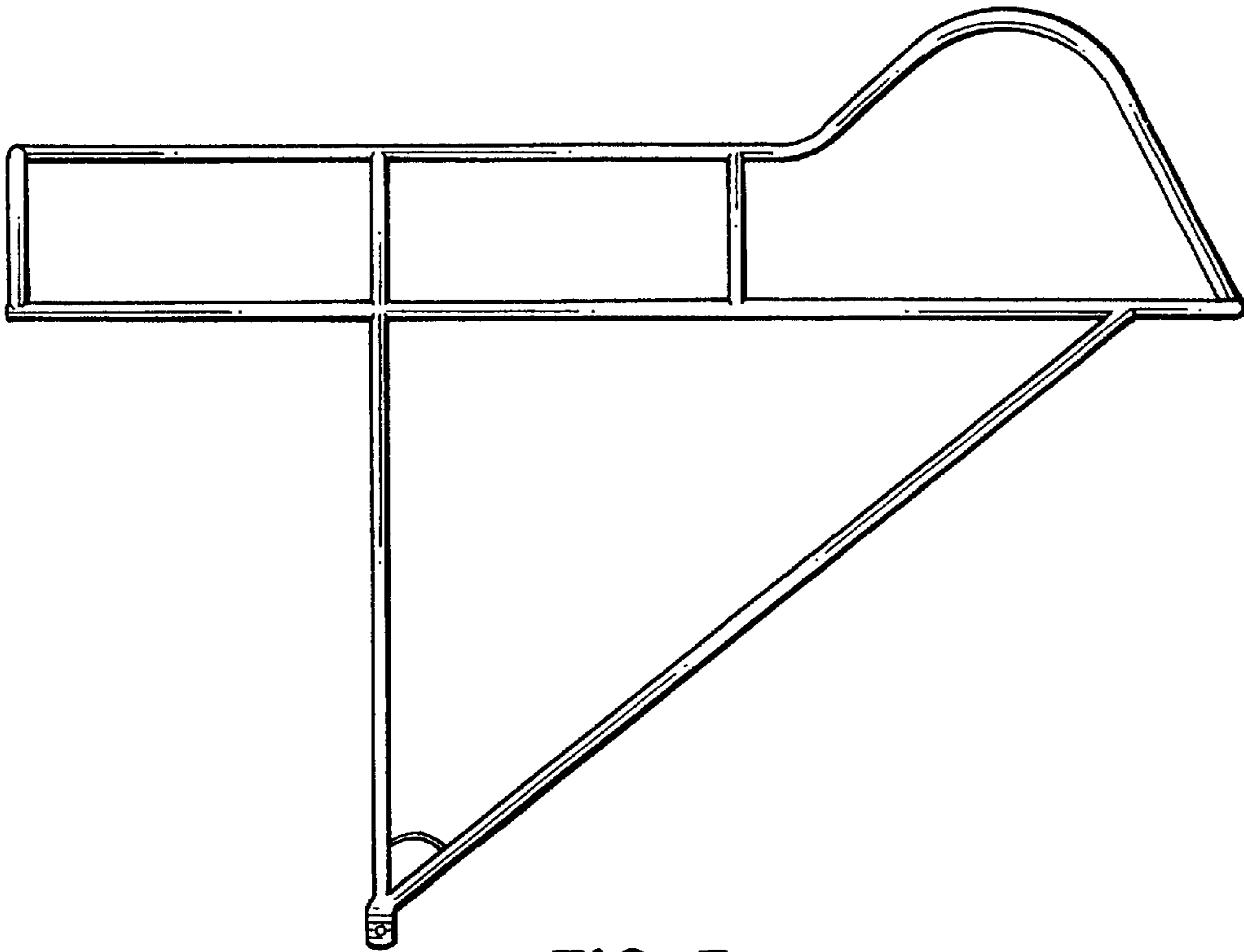


FIG. 3

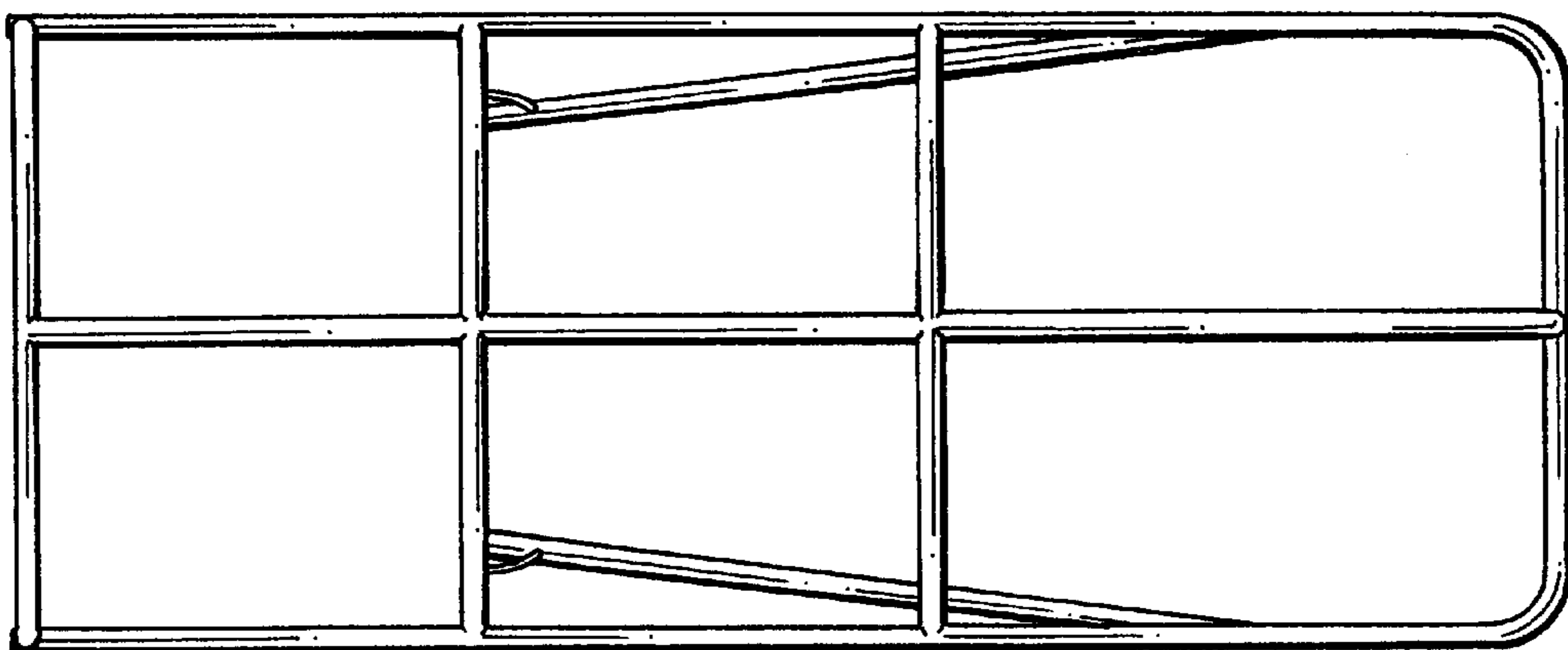


FIG. 4

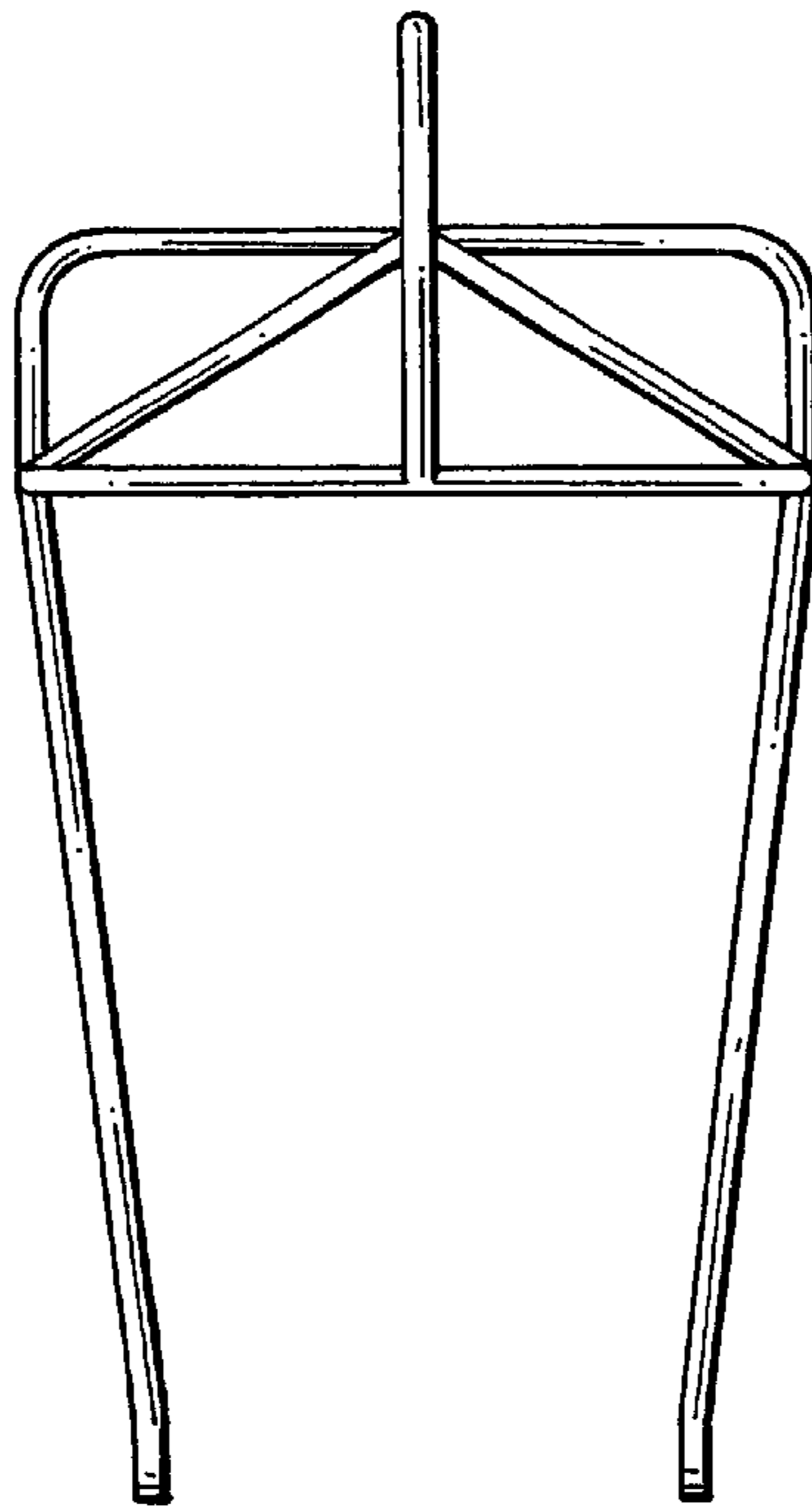


FIG. 5

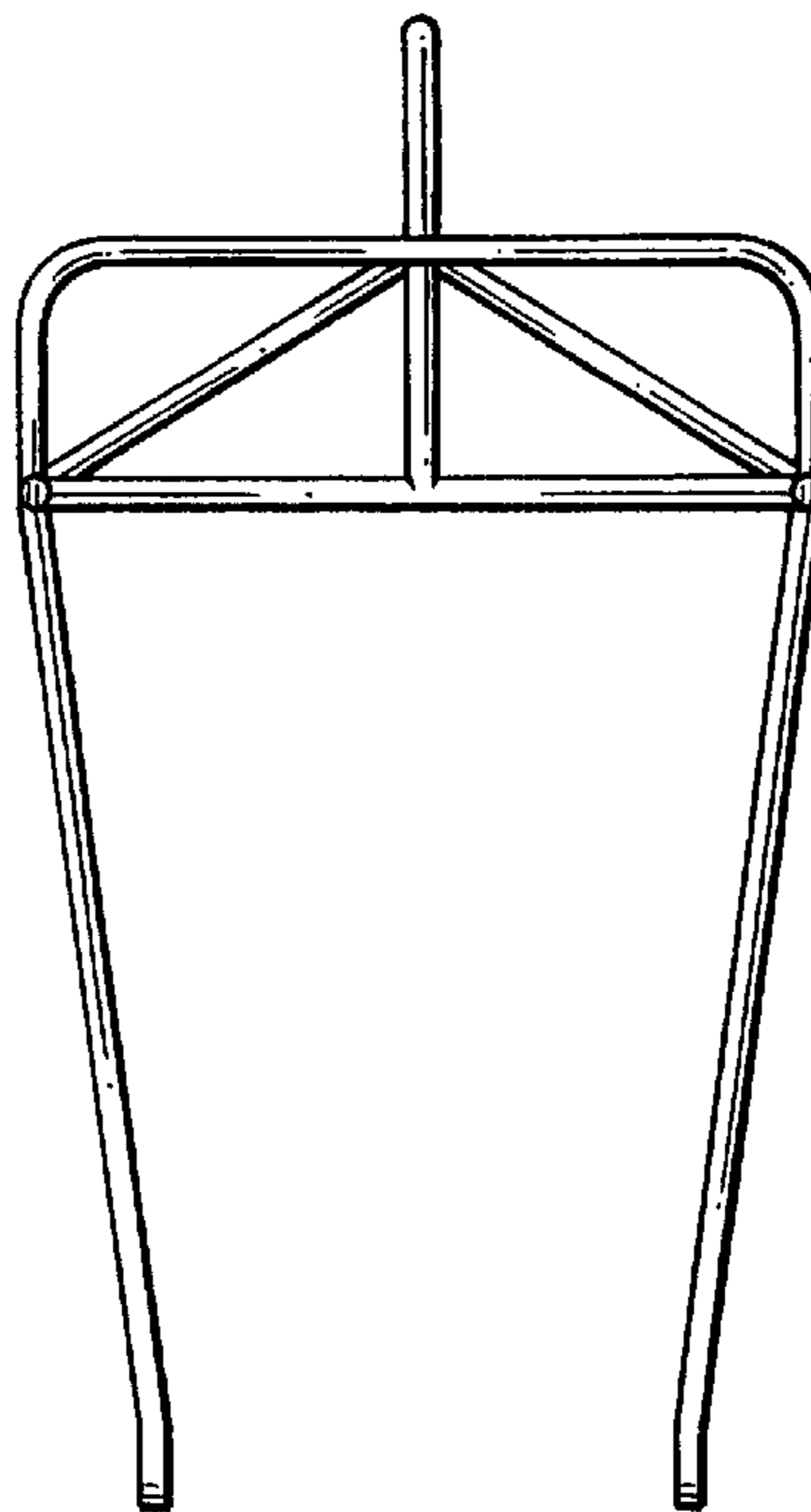


FIG. 6