



US00D477271S

(12) **United States Design Patent**  
**Weber et al.**

(10) **Patent No.:** **US D477,271 S**

(45) **Date of Patent:** **\*\* Jul. 15, 2003**

(54) **FOOTREST**

(75) **Inventors:** **Cindy Louise Weber**, Williamsburg, VA (US); **James Heinrich Weitz**, Hoboken, NJ (US); **Alberto Mantilla**, Regal Park, NY (US); **Anthony John Baxter**, New York, NY (US)

(73) **Assignee:** **Deere & Company**, Moline, IL (US)

(\*\*) **Term:** **14 Years**

(21) **Appl. No.:** **29/164,186**

(22) **Filed:** **Jul. 19, 2002**

(51) **LOC (7) Cl.** ..... **12-16**

(52) **U.S. Cl.** ..... **D12/400; D12/14**

(58) **Field of Search** ..... D12/400, 107, D12/114, 174, 202, 203, 14-16; D15/31, 17, 28, 30; 180/68.6, 273, 301; 224/42.13, 42.21-42.23, 491; 182/17, 192; 280/163, 164.1

(56) **References Cited**

**U.S. PATENT DOCUMENTS**

D306,278 S \* 2/1990 Hafvenstein ..... D12/203  
D395,023 S \* 6/1998 Hikida ..... D12/16

D395,268 S \* 6/1998 Tucker ..... D12/203  
D436,895 S \* 1/2001 Huang ..... D12/107  
D440,188 S \* 4/2001 Lin ..... D12/107  
D448,390 S 9/2001 Westimayer et al. .... D15/28

\* cited by examiner

*Primary Examiner*—Melody N. Brown

(57) **CLAIM**

The ornamental design for a footrest, as shown and described.

**DESCRIPTION**

FIG. 1 is a right front elevated perspective view of a footrest showing our new design.

FIG. 2 is a right front perspective view of the footrest design of FIG. 1.

FIG. 3 is a top plan view of the footrest design of FIG. 1.

FIG. 4 is a left side view of the footrest design of FIG. 1.

FIG. 5 is a right side view of the footrest design of FIG. 1.

FIG. 6 is a right front elevated perspective view of a footrest showing a second embodiment of our new design.

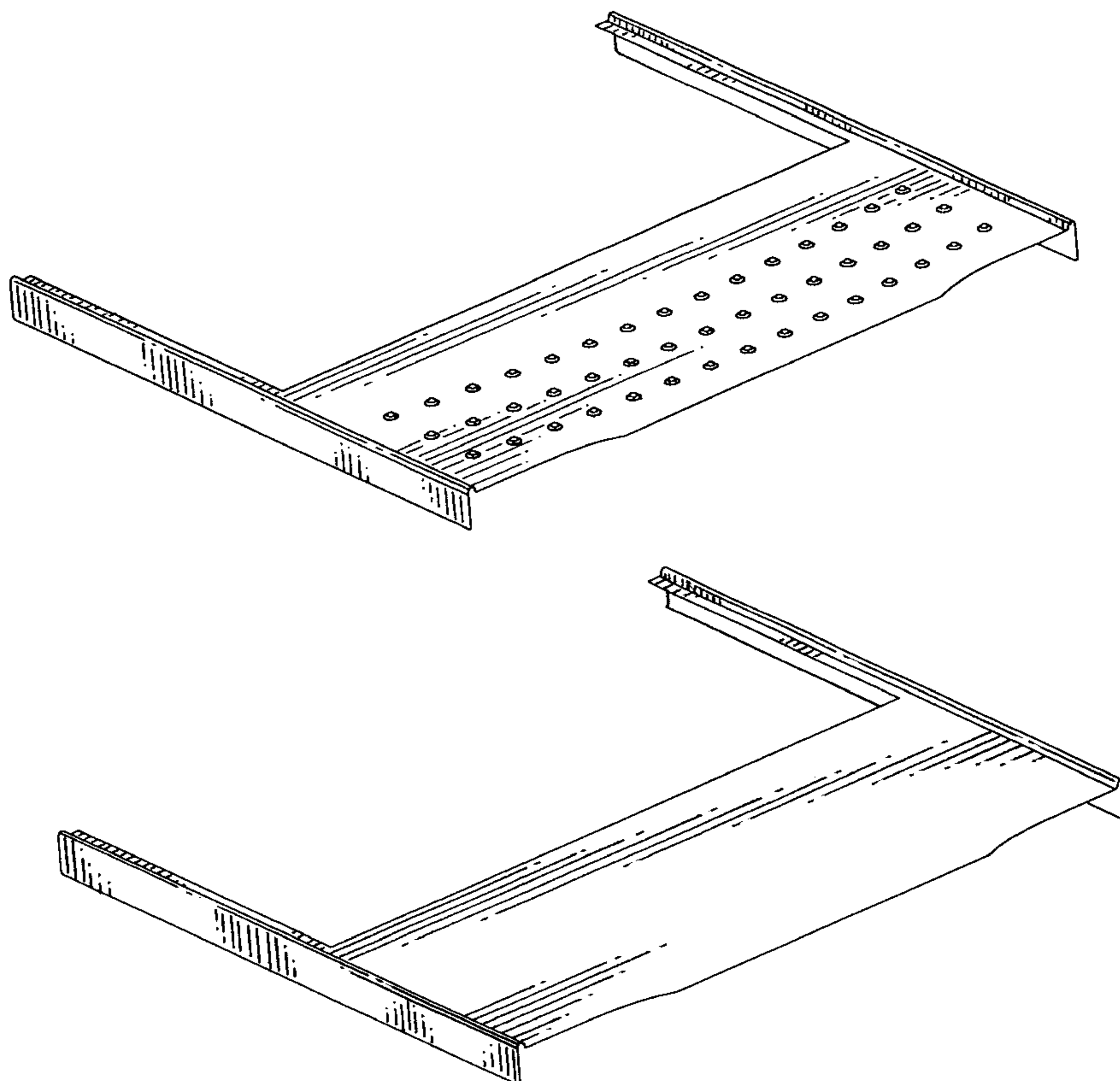
FIG. 7 is a top plan view of the footrest design of FIG. 6.

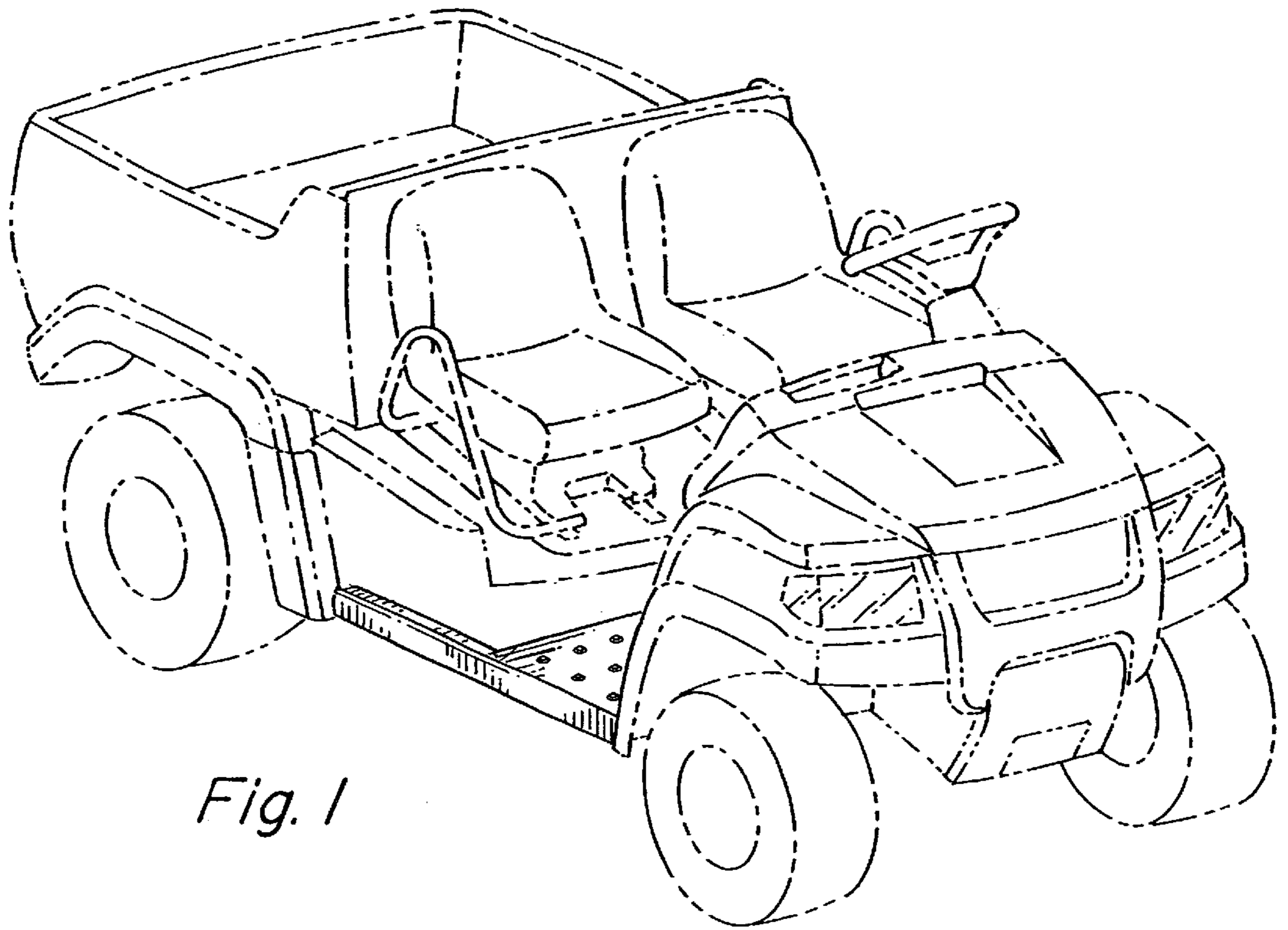
FIG. 8 is a right side view of the footrest design of FIG. 6;

and,

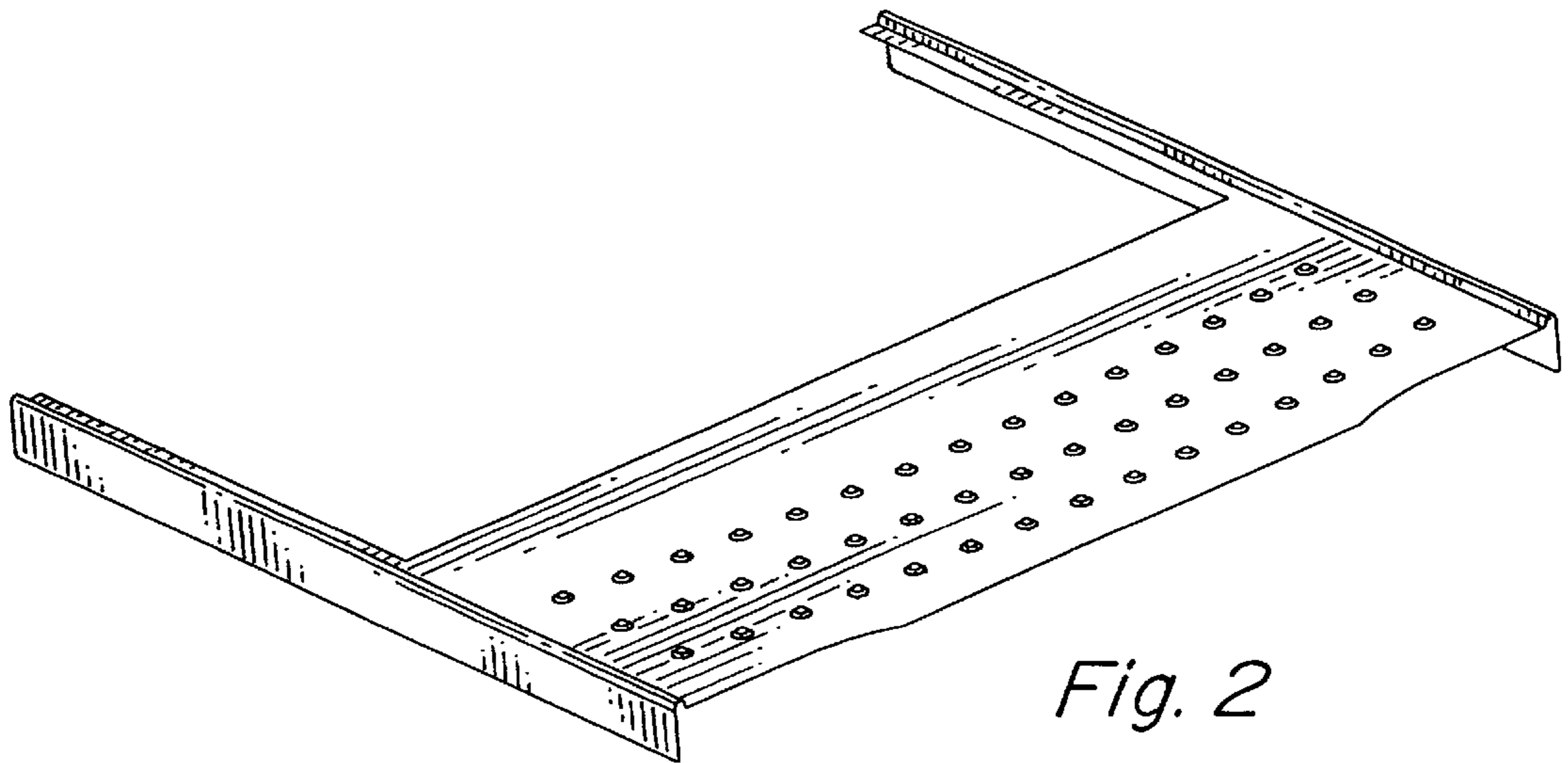
FIG. 9 is a left side view of the footrest design of FIG. 6.

**1 Claim, 4 Drawing Sheets**

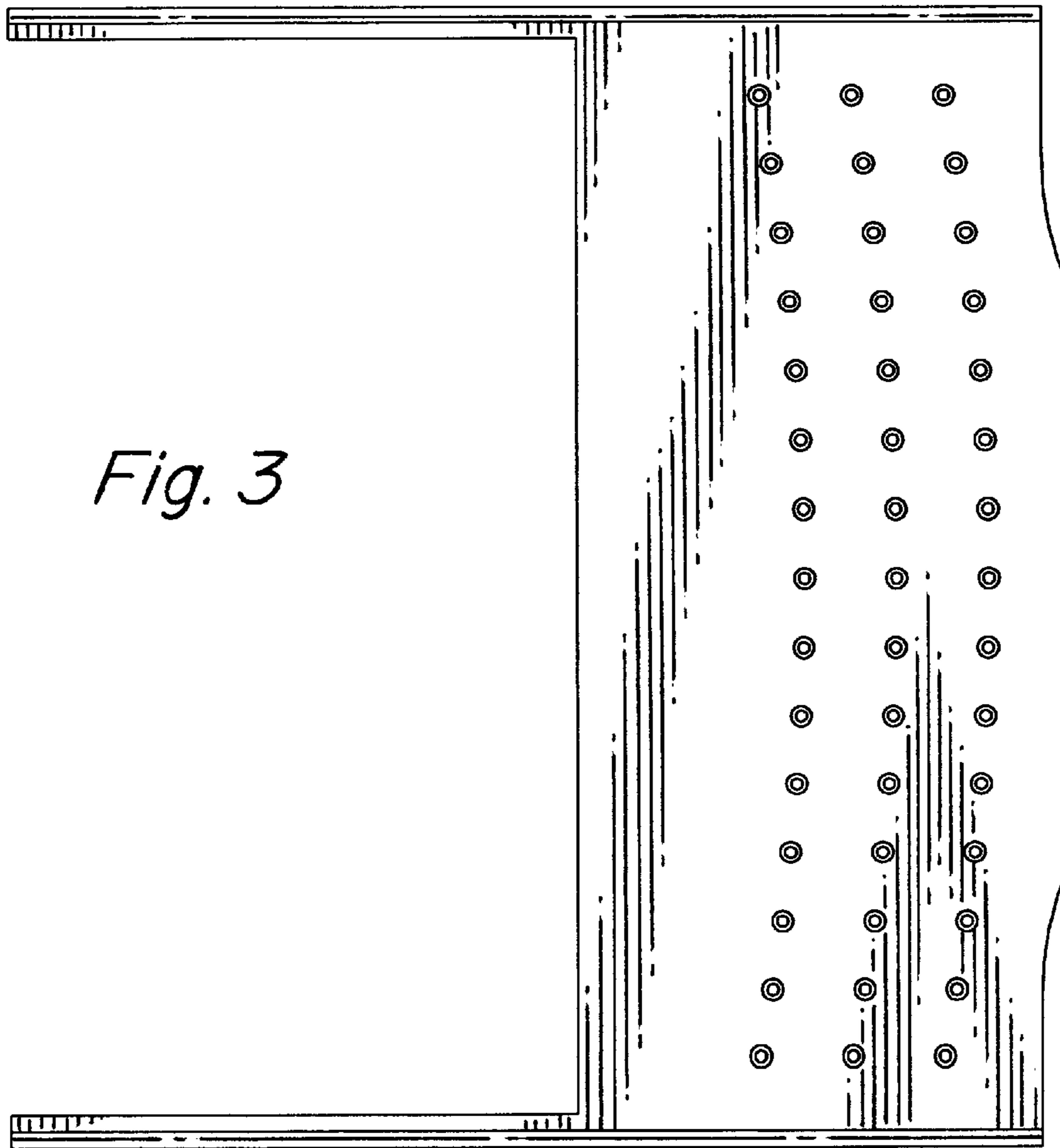




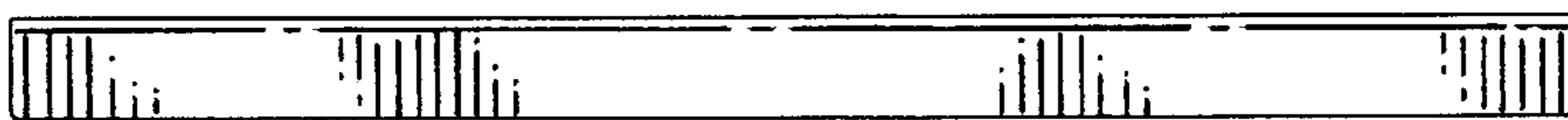
*Fig. 1*



*Fig. 2*



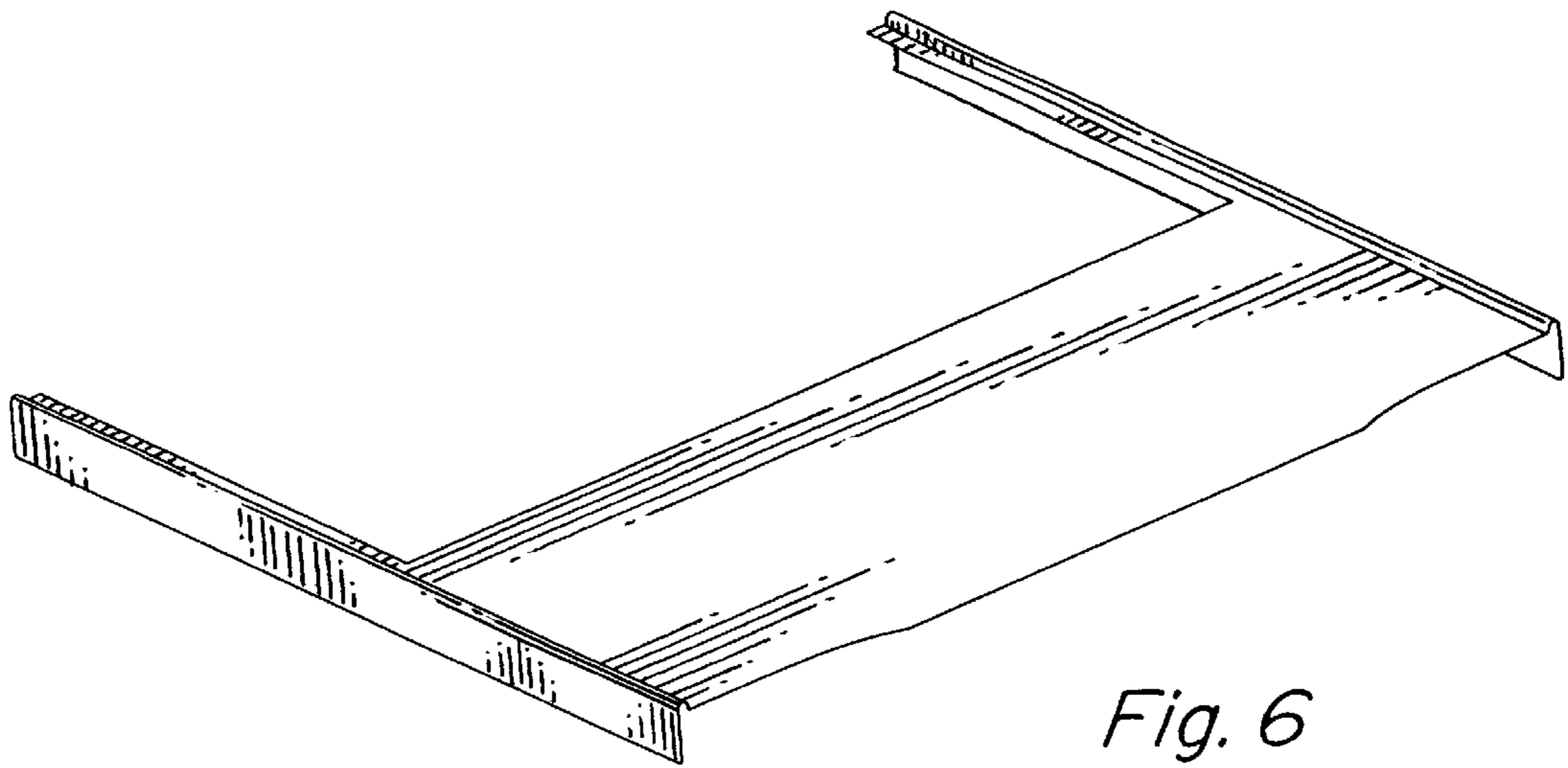
*Fig. 3*



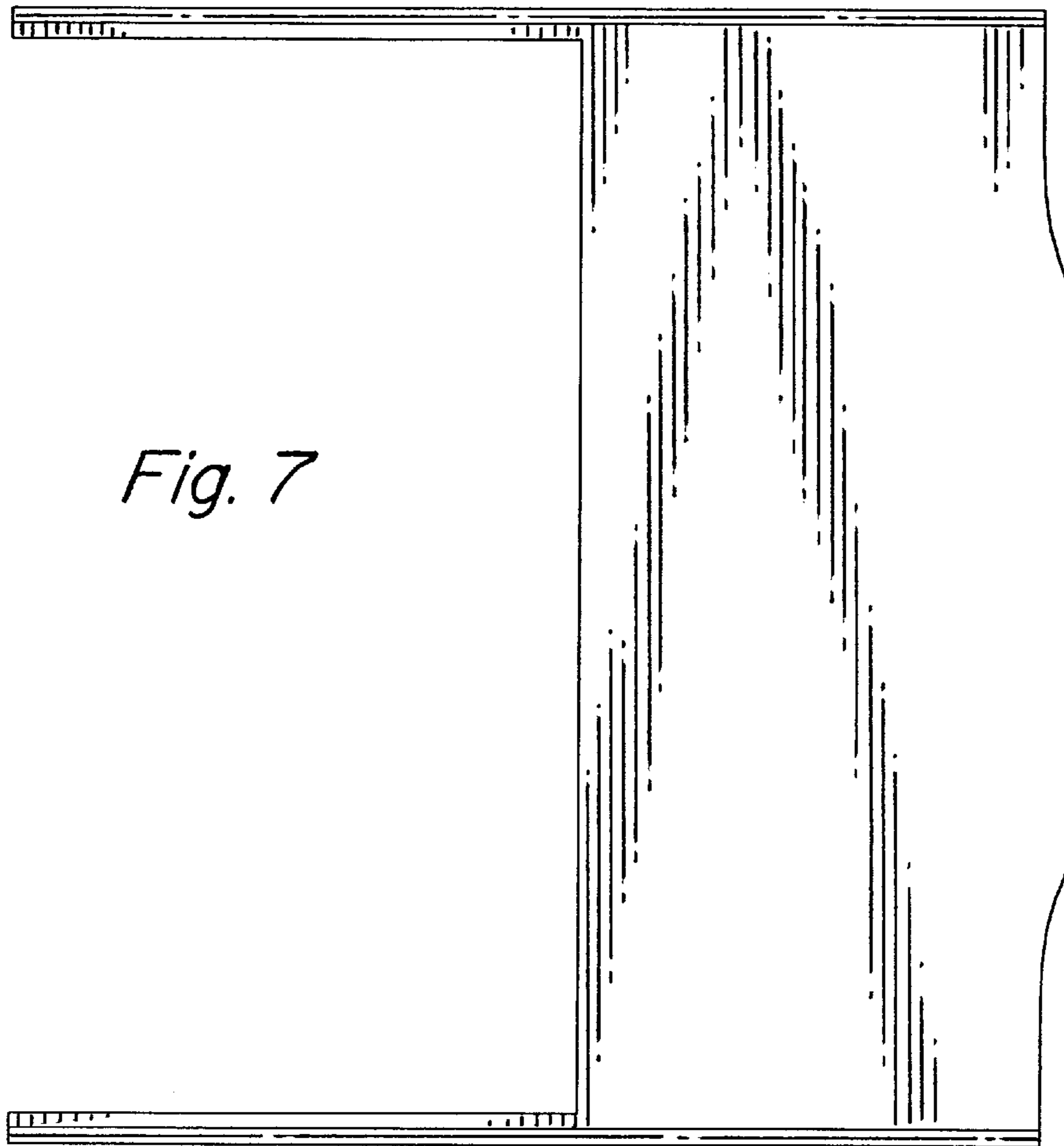
*Fig. 4*



*Fig. 5*



*Fig. 6*



*Fig. 7*



*Fig. 8*



*Fig. 9*