



US00D477270S

(12) **United States Design Patent**  
**Bowers**

(10) **Patent No.:** **US D477,270 S**

(45) **Date of Patent:** **\*\* Jul. 15, 2003**

(54) **DANGLING NOVELTY HELMET PAIR**

(76) **Inventor:** **Thomas G. Bowers**, 10233 - 130<sup>th</sup> St.  
North, Largo, FL (US) 33774

(\*\*) **Term:** **14 Years**

(21) **Appl. No.:** **29/159,565**

(22) **Filed:** **Apr. 24, 2002**

(51) **LOC (7) Cl.** ..... **12-16**

(52) **U.S. Cl.** ..... **D12/400; D11/157**

(58) **Field of Search** ..... **D11/133, 157;**  
**D12/400; D26/113**

(56) **References Cited**

**U.S. PATENT DOCUMENTS**

D216,988 S	*	3/1970	Je Rue	.....	D11/157
3,822,494 A	*	7/1974	Zivica	.....	40/800
D240,365 S	*	6/1976	Boone	.....	D11/133
D295,390 S	*	4/1988	Maddox et al.	.....	D11/133
D350,710 S	*	9/1994	Keiffer	.....	D11/157
D379,159 S	*	5/1997	Jackson	.....	D11/157
D393,603 S	*	4/1998	Cerisano	.....	D11/133
D427,962 S	*	7/2000	Low	.....	D12/400
D469,733 S	*	2/2003	Krumholz	.....	D12/400

\* cited by examiner

*Primary Examiner*—Dominic Simone

(74) *Attorney, Agent, or Firm*—Larson & Larson, PA;  
James E. Larson

(57) **CLAIM**

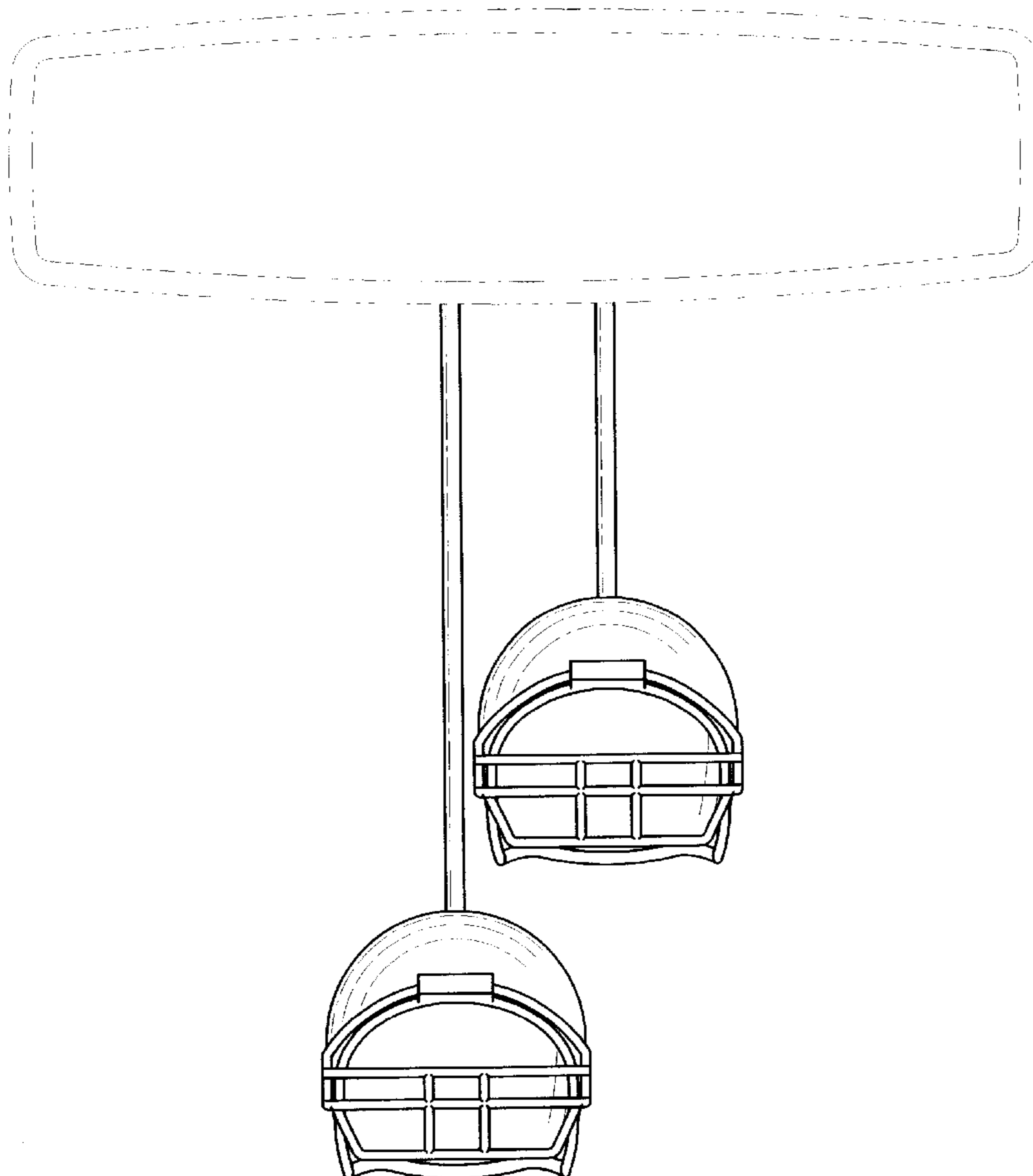
The ornamental design for the dangling novelty helmet pair,  
as shown and described.

**DESCRIPTION**

FIG. 1 is a front elevational view of the dangling novelty helmet pair showing my novel design;  
FIG. 2 is a rear elevational view thereof;  
FIG. 3 is a left side view thereof;  
FIG. 4 is a right side view thereof;  
FIG. 5 is a top plan view thereof;  
FIG. 6 is a bottom plan thereof; and,  
FIG. 7 is a perspective view of the dangling novelty helmet pair of the present invention shown in use as suspended from an automobile rear-view mirror.

The broken lines shown in FIG. 7 are for illustrative purposes only and forms no part of the overall claimed design.

**1 Claim, 4 Drawing Sheets**



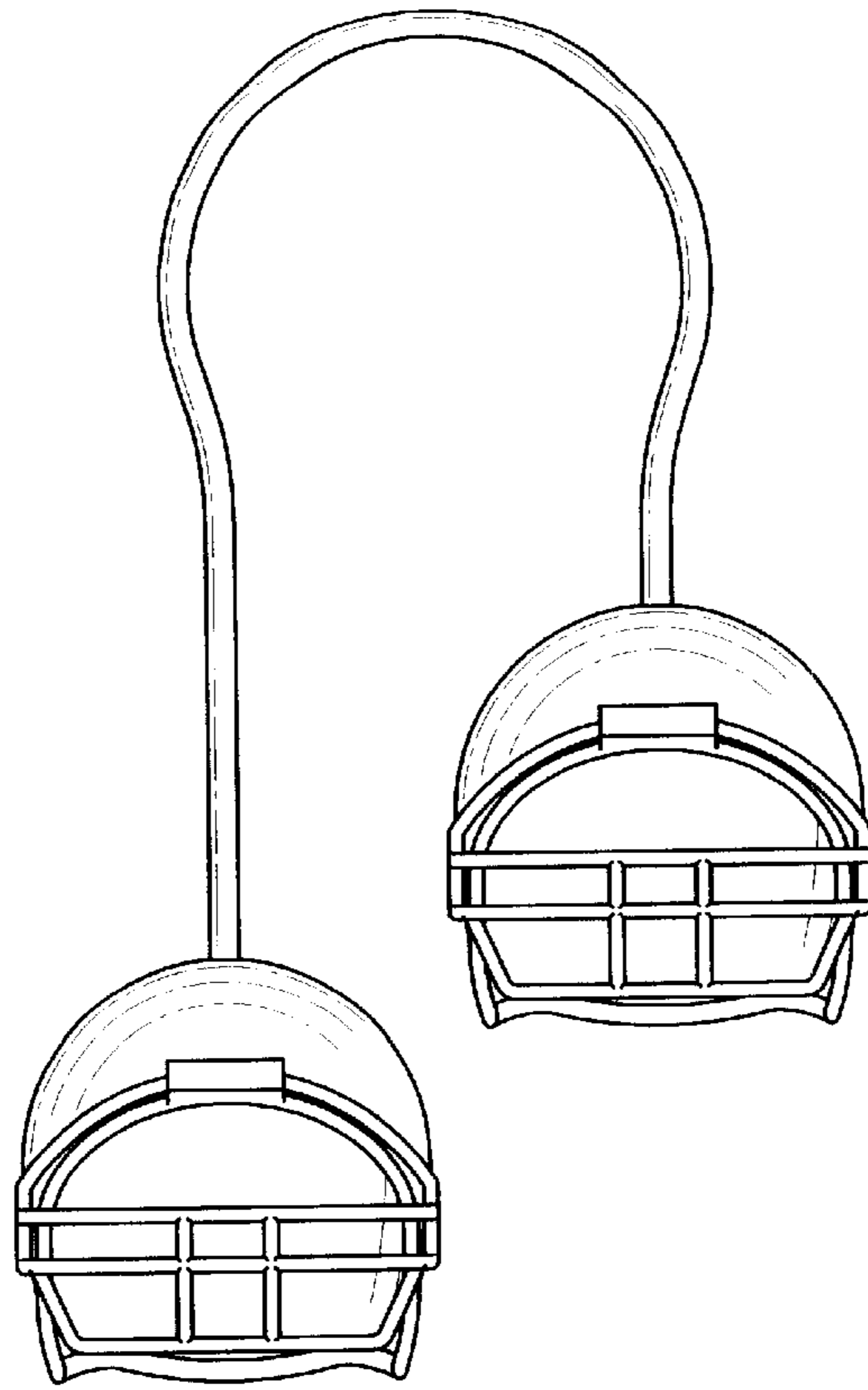


FIG. 1

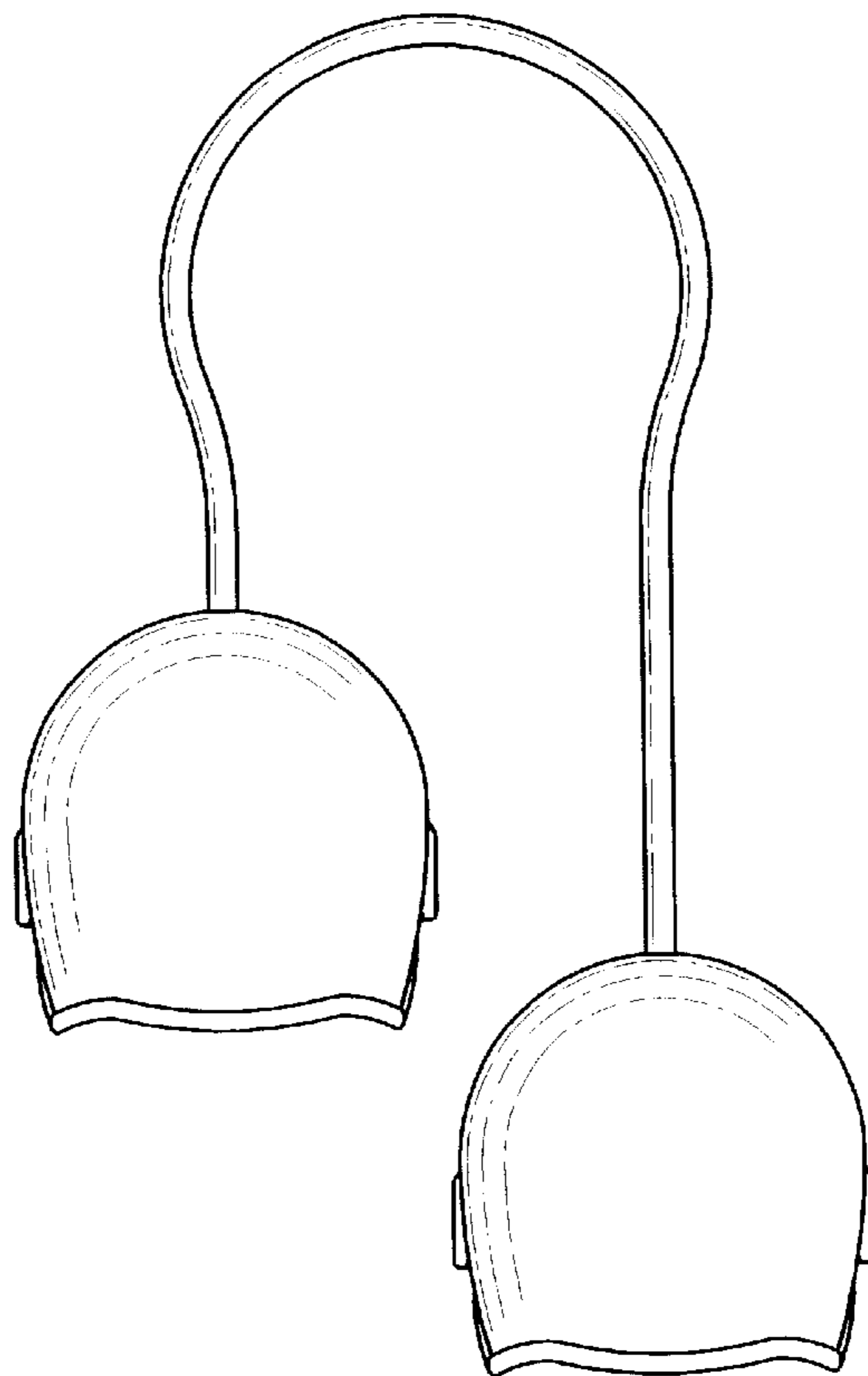
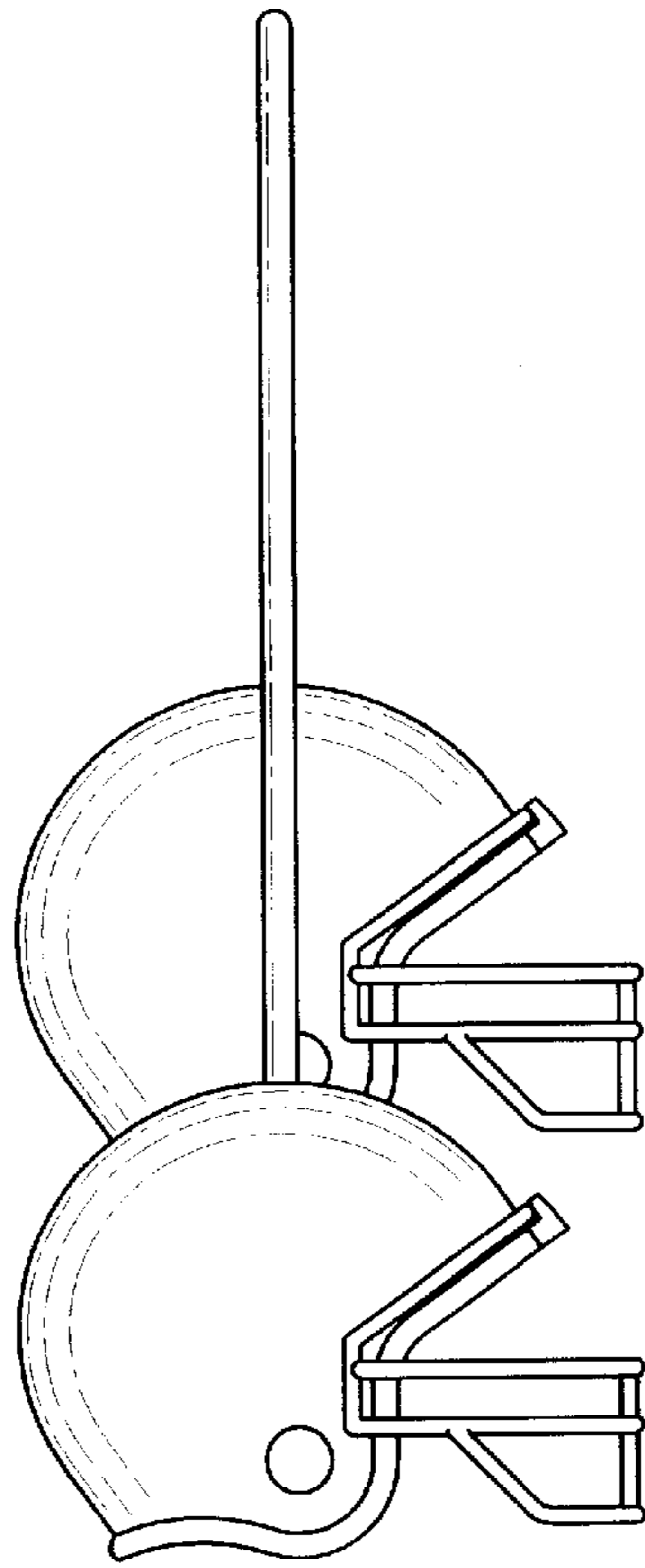
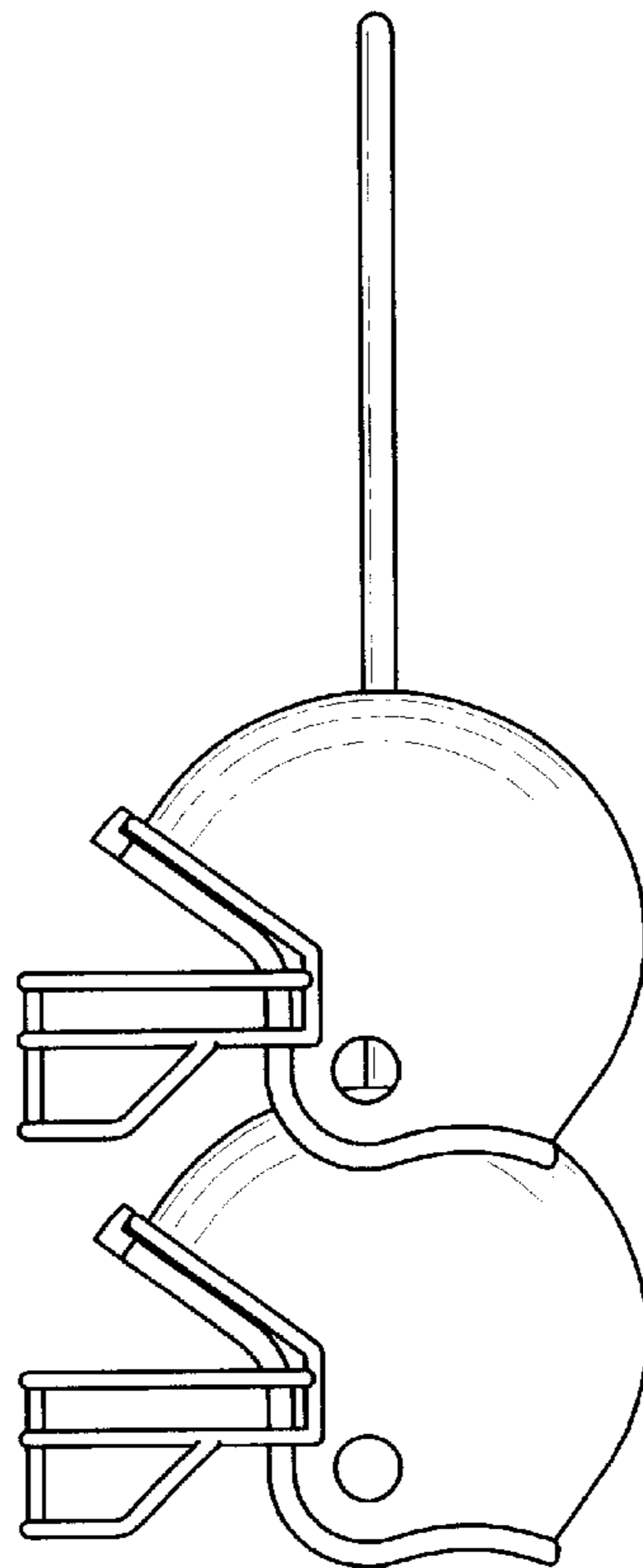


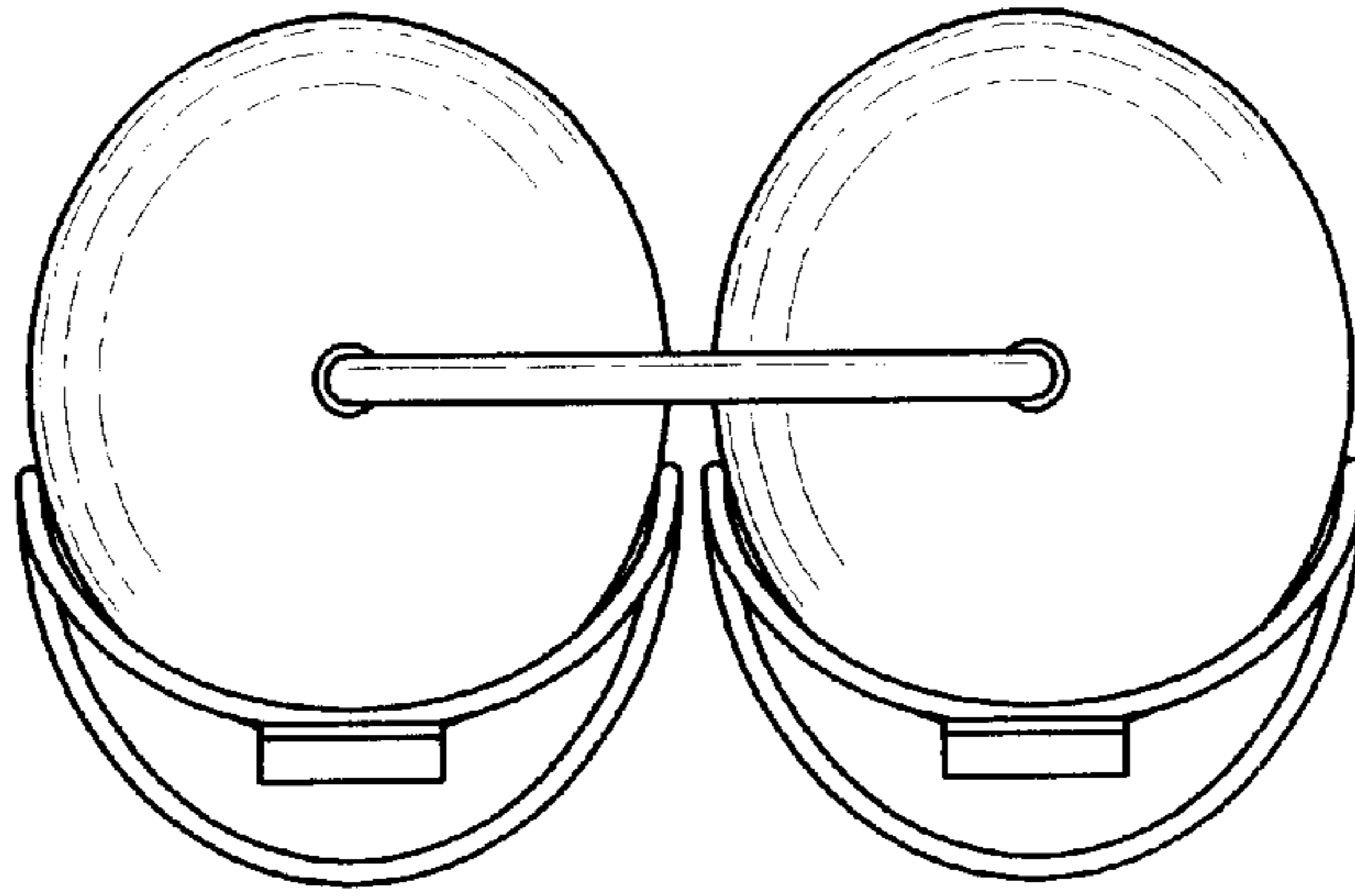
FIG. 2



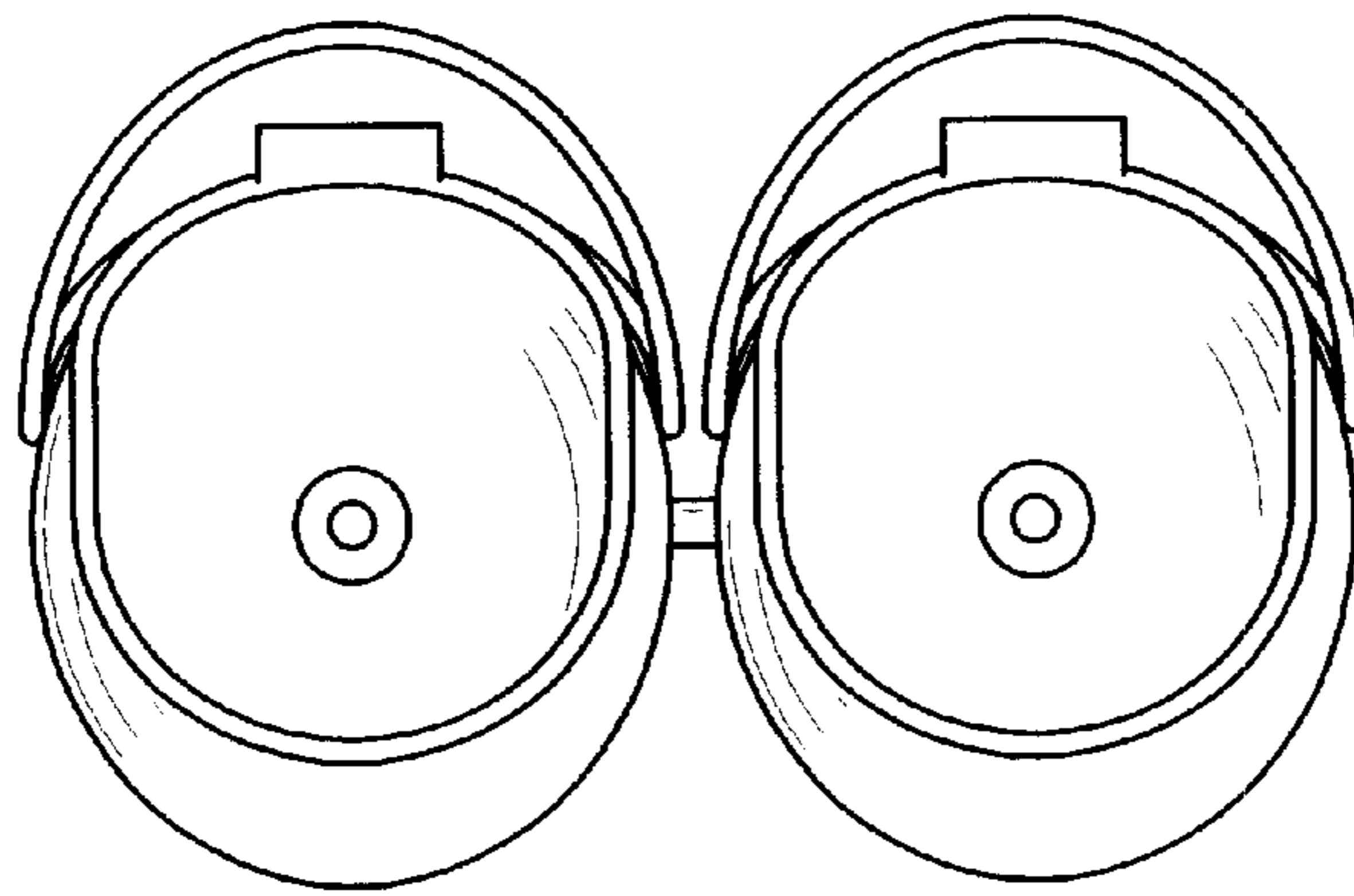
**FIG. 3**



**FIG. 4**



**FIG. 5**



**FIG. 6**

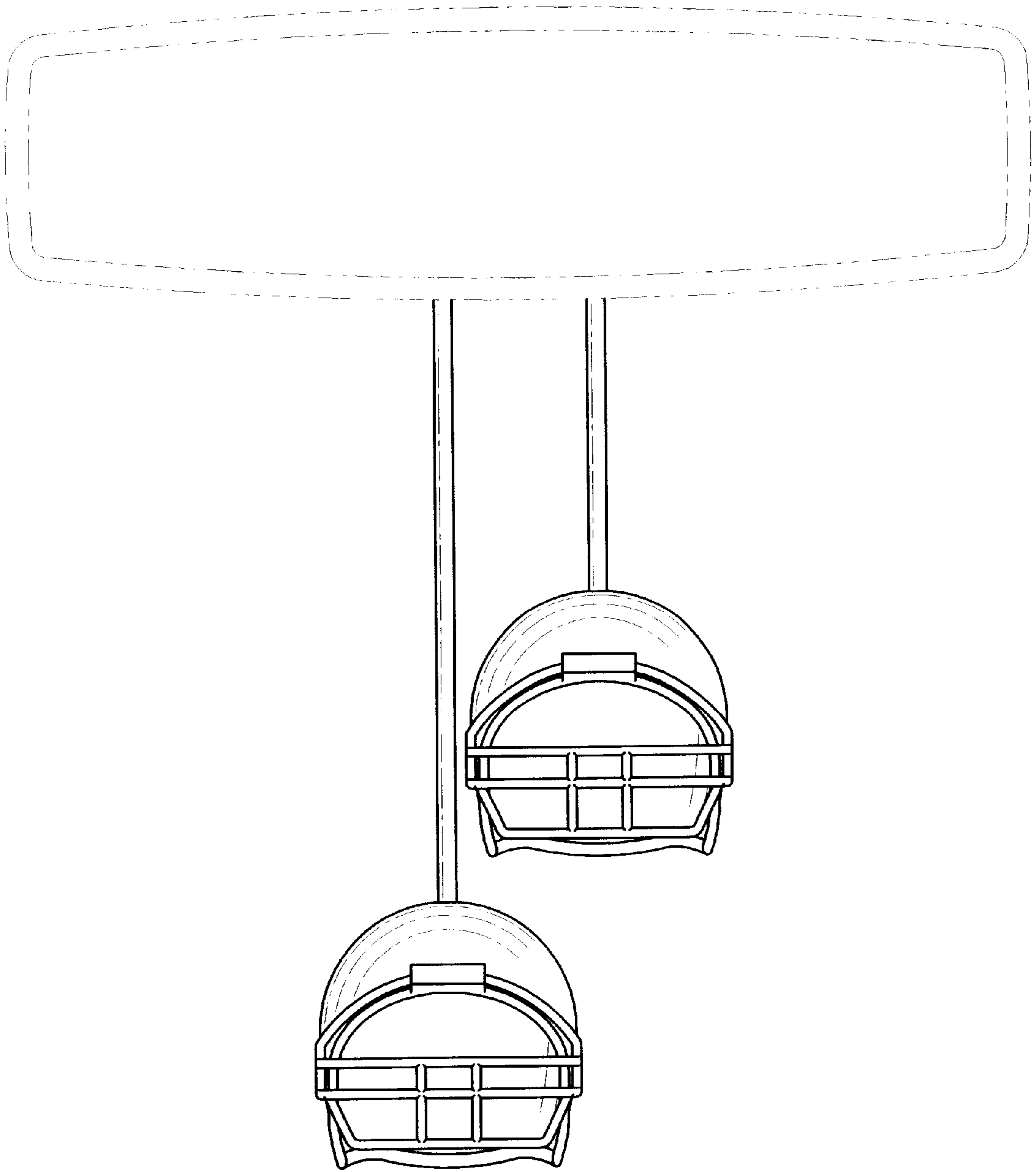


FIG. 7