



US00D477265S

(12) **United States Design Patent**
Chung

(10) **Patent No.:** **US D477,265 S**

(45) **Date of Patent:** **** Jul. 15, 2003**

(54) **AUTOMOTIVE WHEEL**

(75) **Inventor:** **Suny Chung**, Placentia, CA (US)

(73) **Assignee:** **MKW Alloy Inc.**, City of Industry, CA (US)

(**) **Term:** **14 Years**

(21) **Appl. No.:** **29/160,434**

(22) **Filed:** **May 13, 2002**

(51) **LOC (7) Cl.** **12-16**

(52) **U.S. Cl.** **D12/211**

(58) **Field of Search** D12/204-211;
301/37.101, 64.101, 65

D450,026 S	*	11/2001	Donikoglu	D12/209
D452,209 S	*	12/2001	Chung	D12/209
D455,703 S	*	4/2002	Foose	D12/211
D459,691 S	*	7/2002	Takechi	D12/211
D467,215 S	*	12/2002	Kern	D12/211
D467,857 S	*	12/2002	Chung	D12/209
D470,449 S	*	2/2003	Bernoni	D12/211
D471,145 S	*	3/2003	Hartl	D12/211

* cited by examiner

Primary Examiner—Stacia Cadmus

(74) *Attorney, Agent, or Firm*—G. Donald Weber, Jr.

(57) **CLAIM**

The ornamental design for an automotive wheel, as shown and described.

DESCRIPTION

FIG. 1 is an oblique view of the automotive wheel of the instant invention; and,

FIG. 2 is a side elevation view of the automotive wheel of the instant invention.

The broken line showing of environment is for illustrative purposes and forms no part of the claimed design.

1 Claim, 1 Drawing Sheet

(56) **References Cited**

U.S. PATENT DOCUMENTS

1,375,372 A	*	4/1921	Forsyth	D12/211 X
D418,473 S	*	1/2000	Chung	D12/211
D435,005 S	*	12/2000	Chung	D12/209
D438,165 S	*	2/2001	Echazabal	D12/211
D438,504 S	*	3/2001	Muzzarelli	D12/211
D439,212 S	*	3/2001	Neeper	D12/211
D445,084 S	*	7/2001	Mendez	D12/211

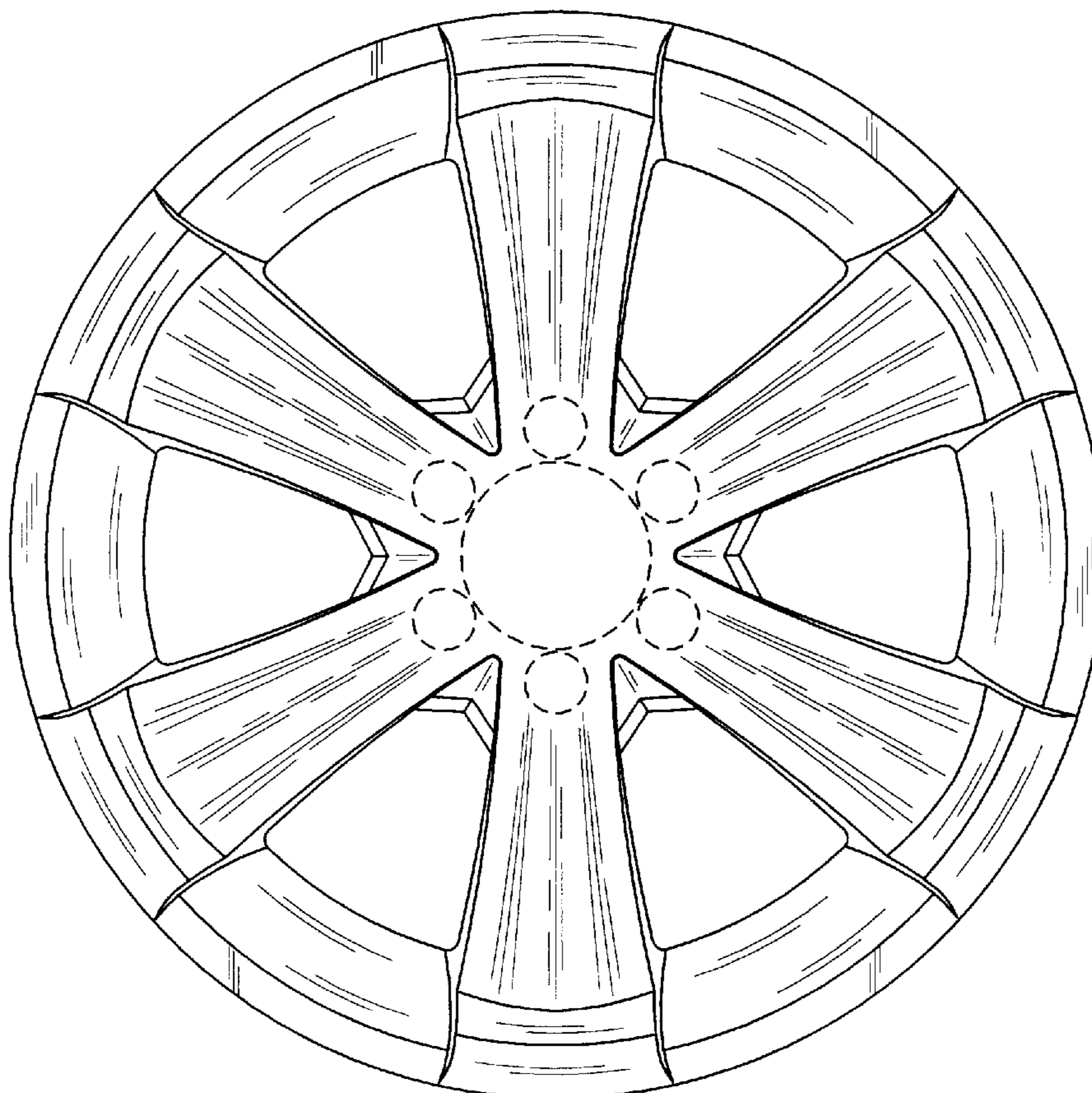


Fig. 1

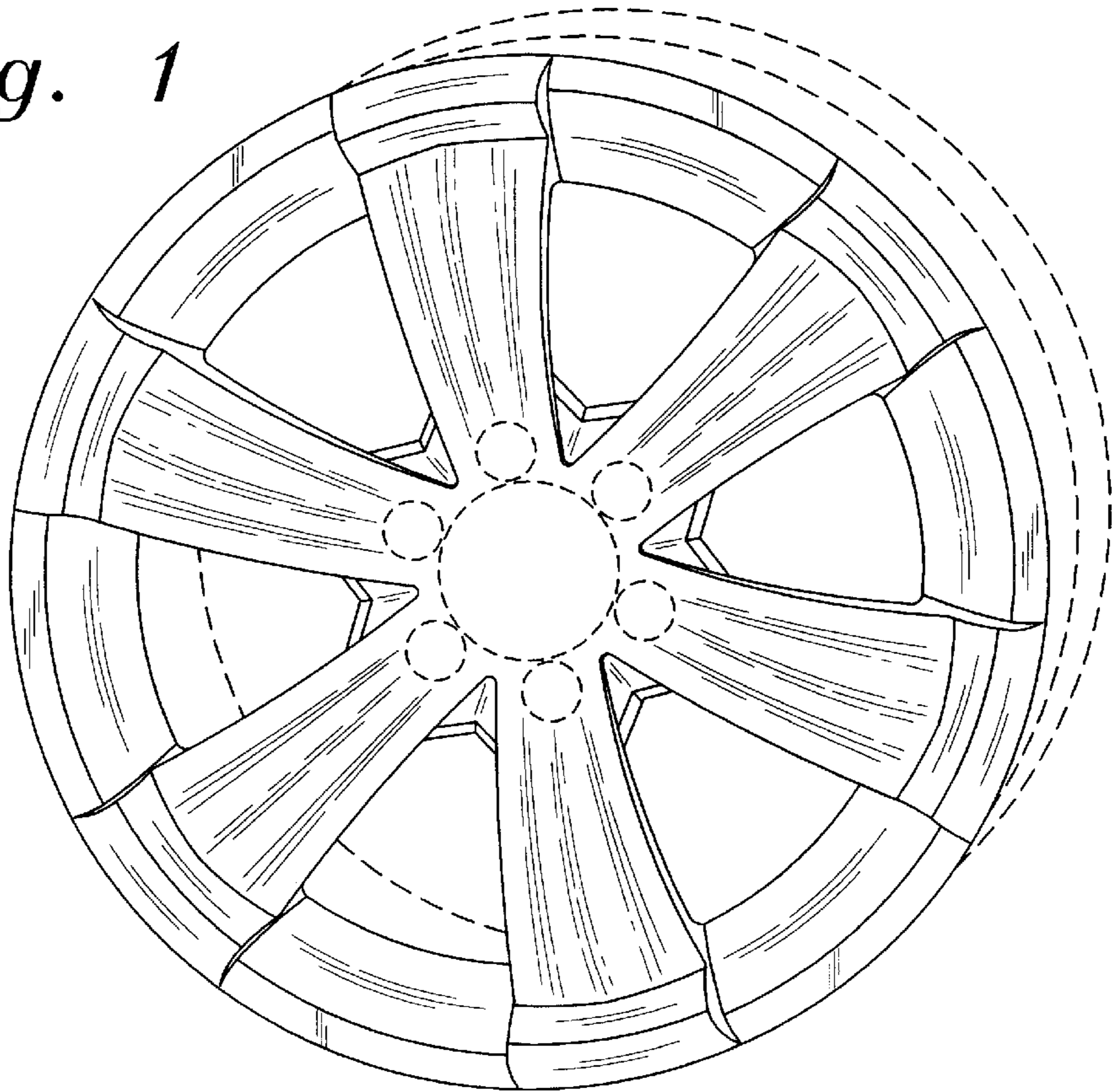


Fig. 2

