



US00D477250S

(12) **United States Design Patent**
Leutz et al.

(10) **Patent No.: US D477,250 S**

(45) **Date of Patent: ** Jul. 15, 2003**

(54) **SURFACE CONFIGURATION OF A VEHICLE, TOY AND/OR OTHER REPLICAS**

Primary Examiner—Melody N. Brown
(74) *Attorney, Agent, or Firm*—Crowell & Moring LLP

(75) Inventors: **Volker Leutz**, Neckartailfingen (DE);
Conrad Hummel, Stuttgart (DE);
Andreas Kurbos, Leonberg (DE)

(57) **CLAIM**

The ornamental design for a surface configuration of a vehicle, toy and/or other replicas, as shown and described.

(73) Assignee: **Smart GmbH**, Boeblingen (DE)

DESCRIPTION

(**) Term: **14 Years**

(21) Appl. No.: **29/168,534**

(22) Filed: **Oct. 4, 2002**

(30) **Foreign Application Priority Data**

Jul. 19, 2002 (DE) 402 05 951

(51) **LOC (7) Cl.** **12-08**

(52) **U.S. Cl.** **D12/91**

(58) **Field of Search** D12/86, 90-92;
D21/433, 435, 539, 549; 296/185

FIG. 1 is a front view of a surface configuration of a vehicle, toy and/or other replicas according to our novel design;

FIG. 2 is a left, front perspective view of the surface configuration of a vehicle, toy and/or other replicas according to our novel design, the right, front perspective view being mirror symmetrical;

FIG. 3 is a left side view of the surface configuration of a vehicle, toy and/or other replicas according to our novel design;

FIG. 4 is a right side view of the surface configuration of a vehicle, toy and/or other replicas according to our novel design;

FIG. 5 is a right, rear perspective view of the surface configuration of a vehicle, toy and/or other replicas according to our novel design, the left, rear perspective view being mirror symmetrical;

FIG. 6 is a rear view of the surface configuration of a vehicle, toy and/or other replicas according to our novel design; and,

FIG. 7 is a top view of the surface configuration of a vehicle, toy and/or other replicas according to our novel design.

The broken lines included depict environment and are not part of the claimed design.

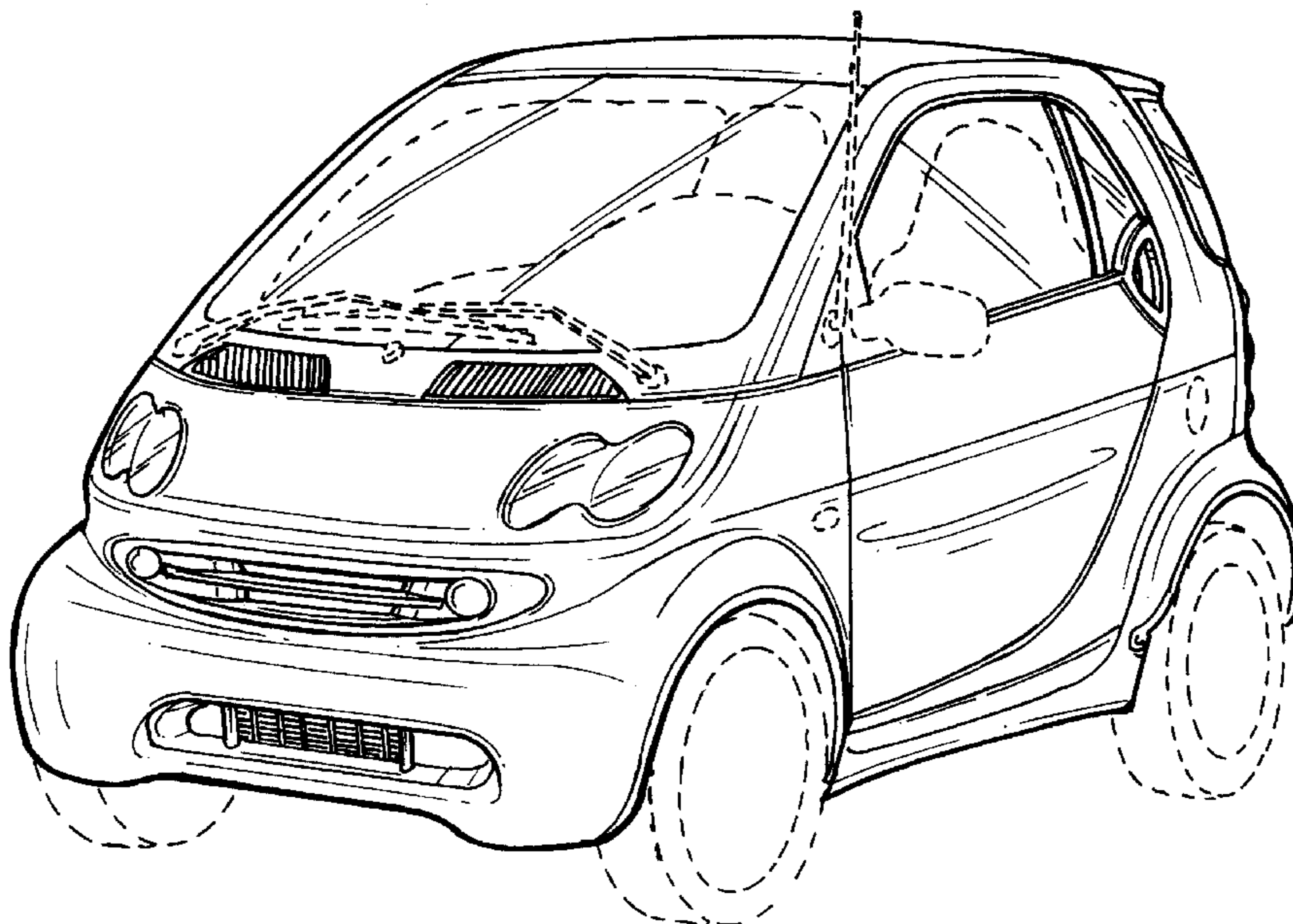
(56) **References Cited**

U.S. PATENT DOCUMENTS

D389,783 S	1/1998	Tomforde et al.	D12/91
D390,163 S	* 2/1998	Tomforde et al.	D12/91
D404,690 S	* 1/1999	Garand et al.	D12/91
D439,205 S	* 3/2001	Leutz	D12/92
D451,432 S	* 12/2001	Leutz	D12/92
D452,188 S	* 12/2001	Hettich et al.	D12/86
D455,982 S	* 4/2002	Iso et al.	D12/91
D456,312 S	* 4/2002	Leutz	D12/86
D457,835 S	* 5/2002	Iso et al.	D12/91
D466,445 S	* 12/2002	Stolz et al.	D12/91

* cited by examiner

1 Claim, 5 Drawing Sheets



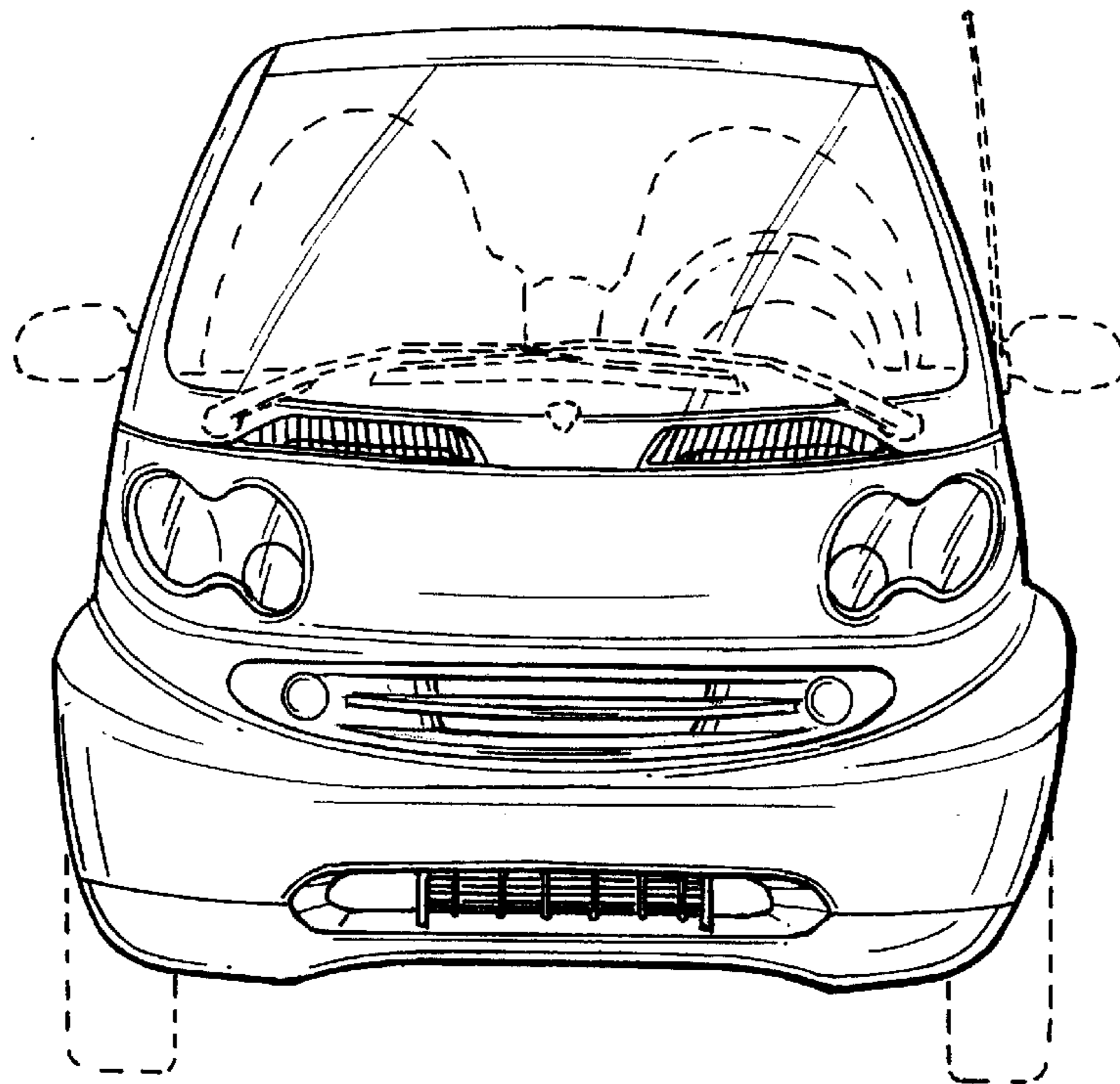


FIG. 1

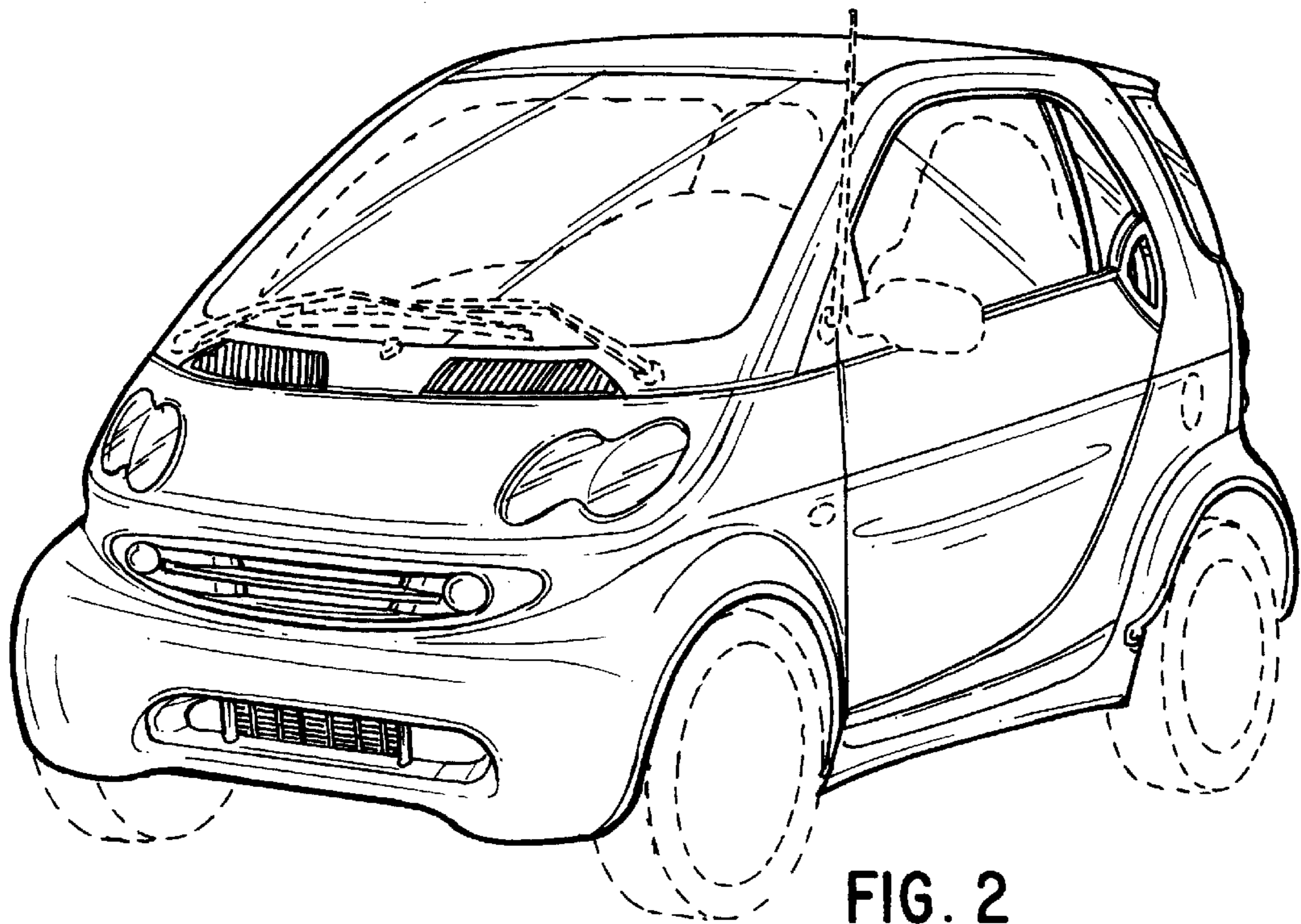


FIG. 2

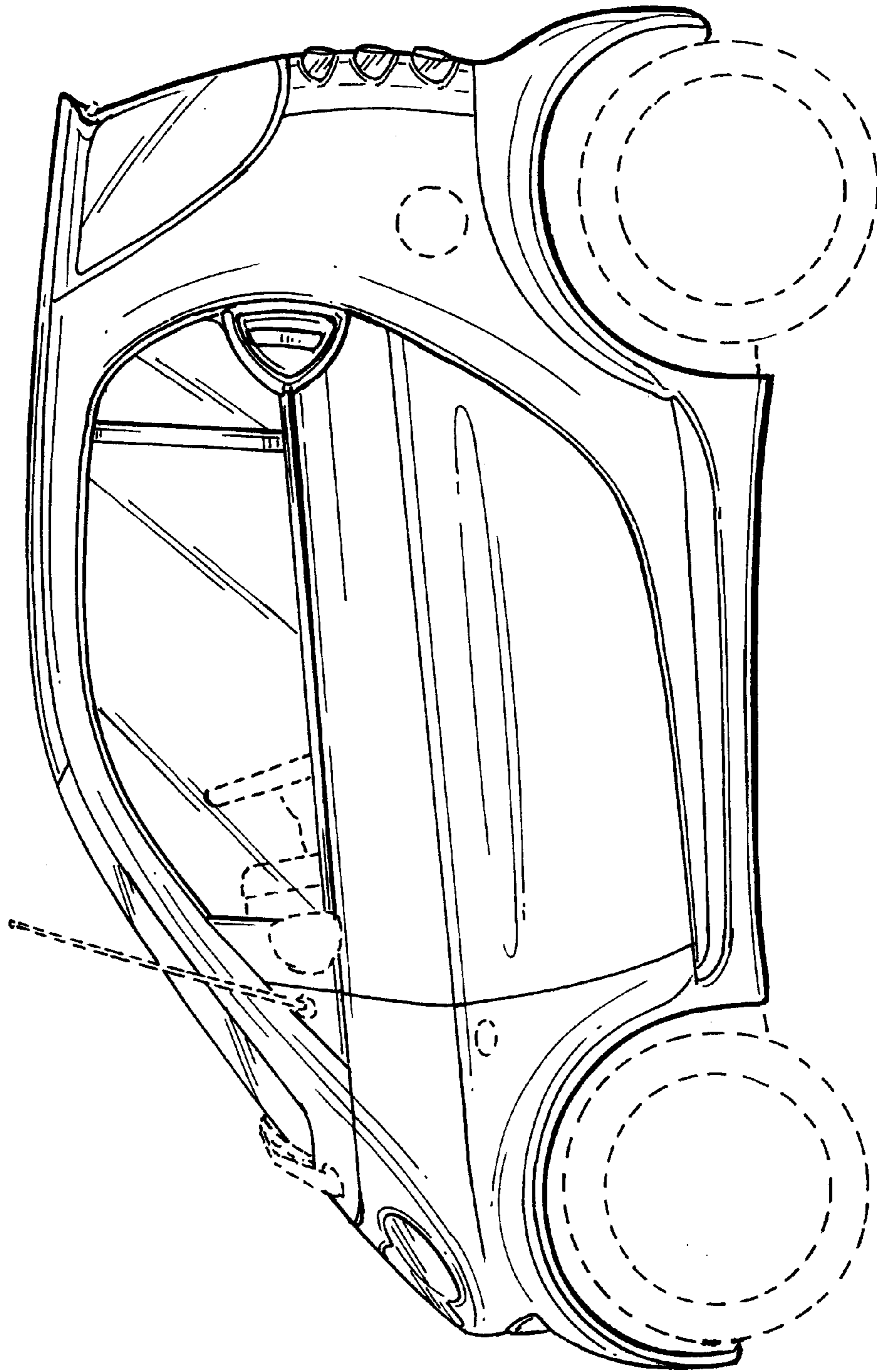


FIG. 3

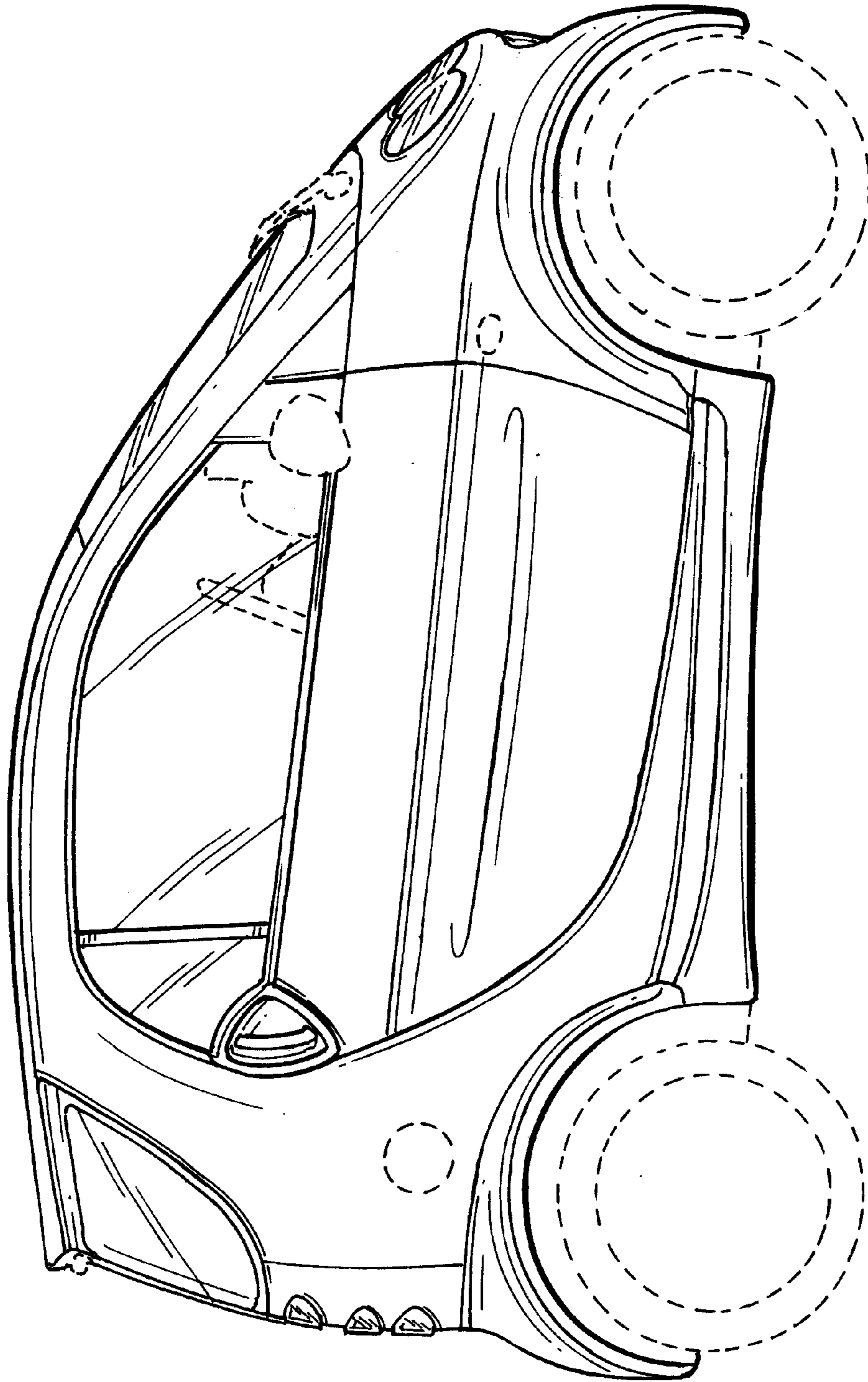


FIG. 4

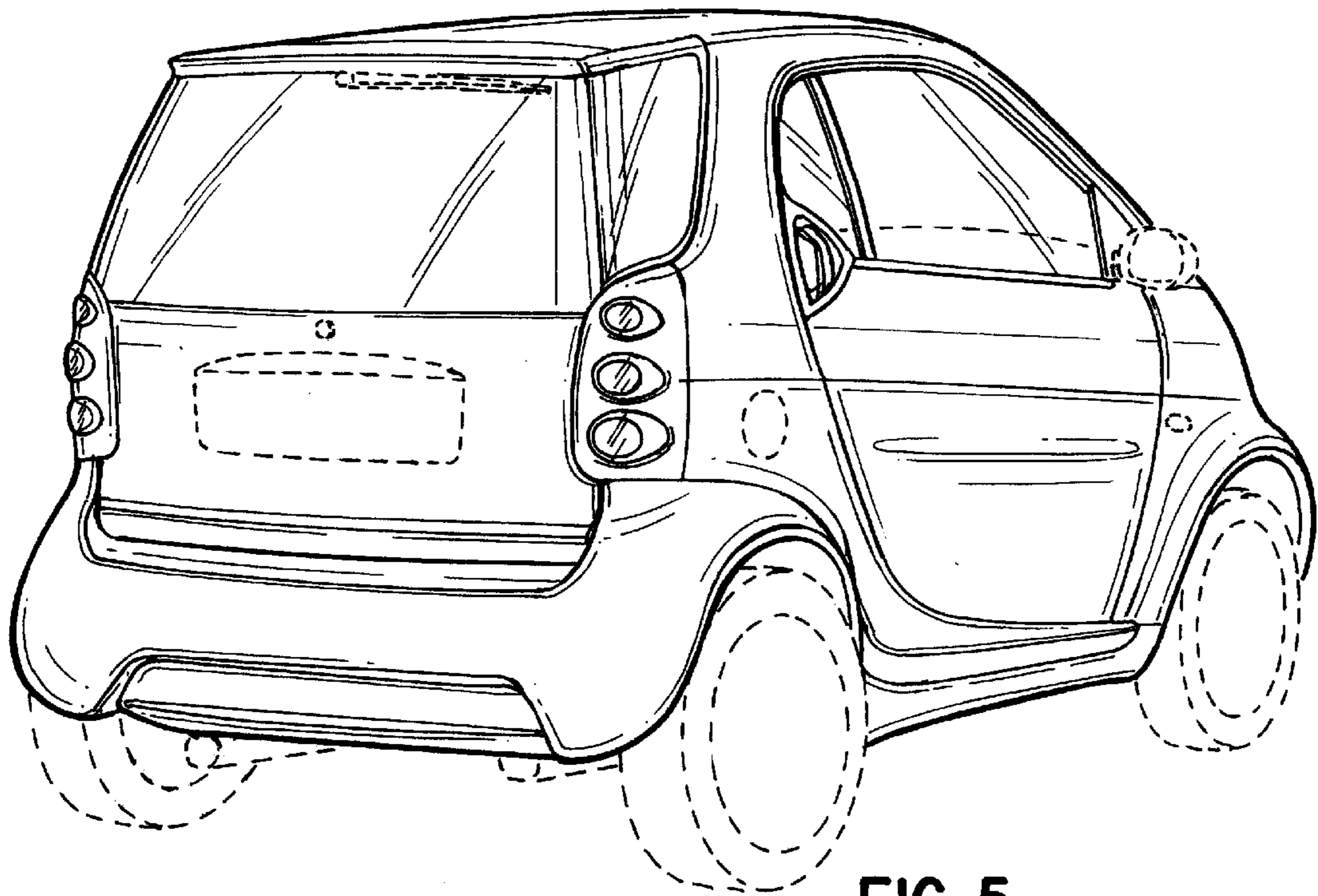


FIG. 5

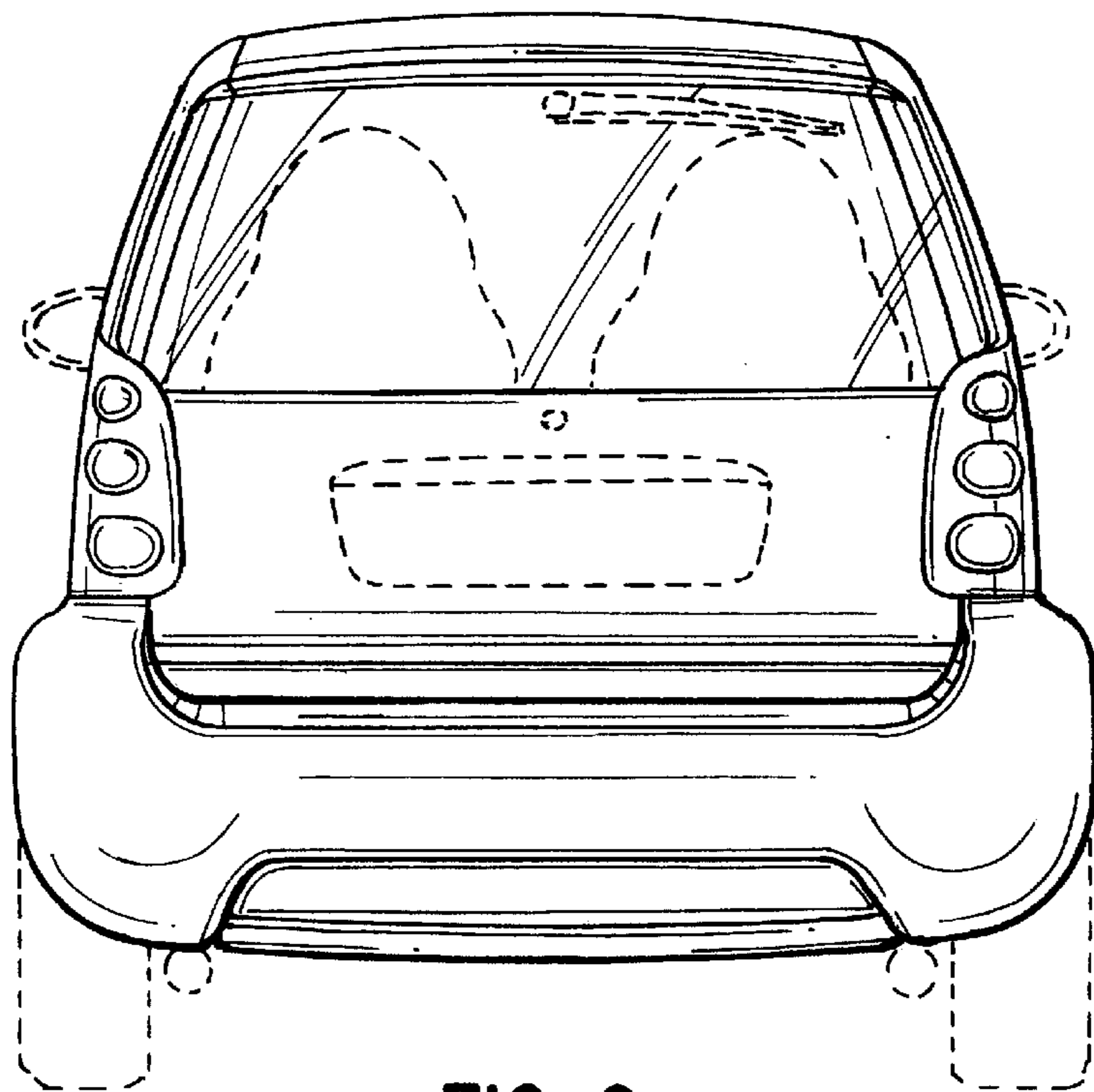


FIG. 6

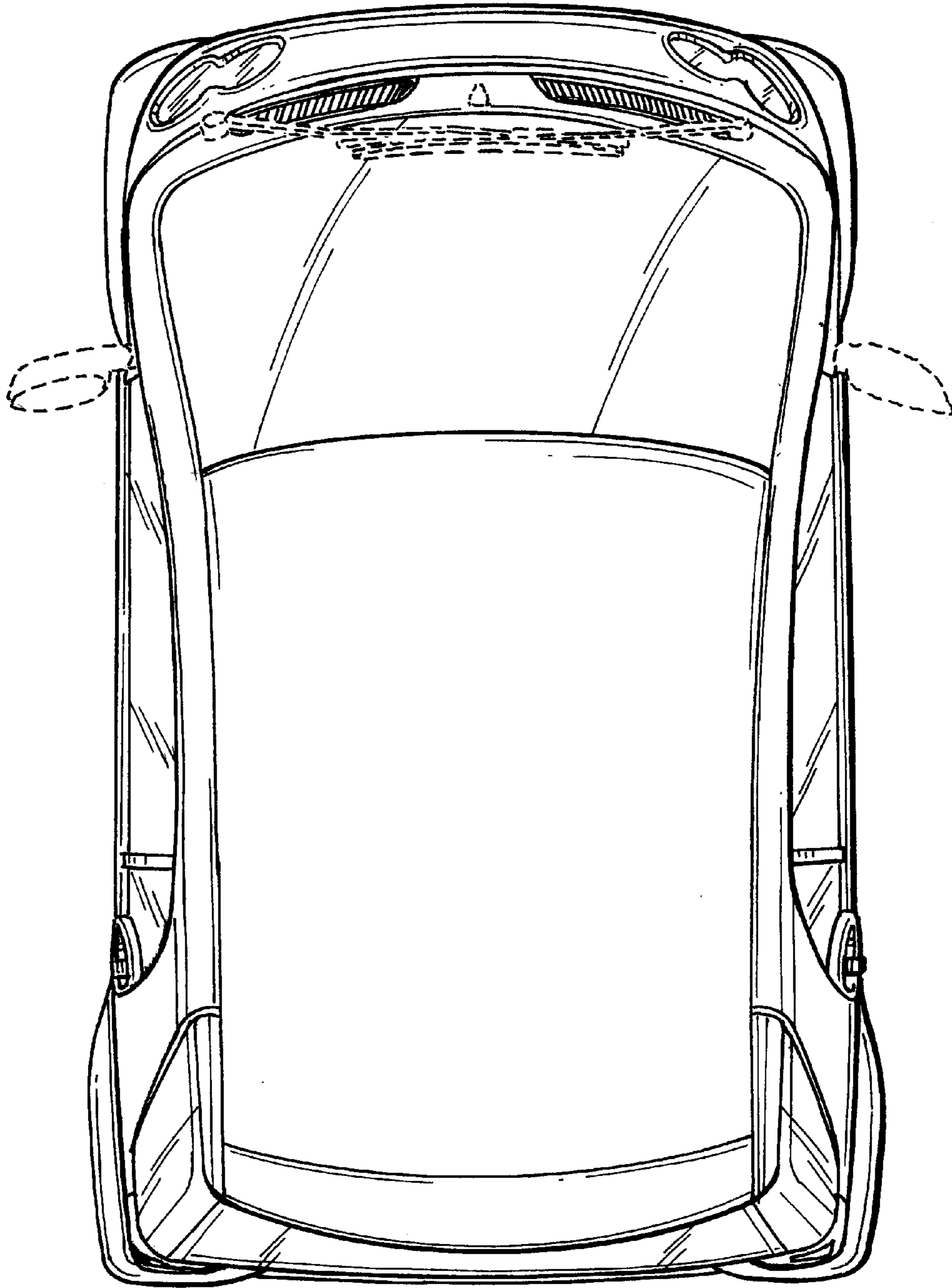


FIG. 7