



US00D477245S

(12) **United States Design Patent**  
**Luo**

(10) **Patent No.:** **US D477,245 S**

(45) **Date of Patent:** **\*\* Jul. 15, 2003**

(54) **FLAG POLE BRACKET**

(75) **Inventor:** **Andrew Luo**, Nanjing (CN)

(73) **Assignee:** **Beijing Trade Exchange, Inc.**,  
Washington, DC (US)

(\*\*) **Term:** **14 Years**

(21) **Appl. No.:** **29/164,783**

(22) **Filed:** **Jul. 30, 2002**

(51) **LOC (7) Cl.** ..... **11-05**

(52) **U.S. Cl.** ..... **D11/183**

(58) **Field of Search** ..... D8/349, 364, 373,  
D8/380, 394, 396; D11/166, 181, 182, 183;  
D22/147; 40/218, 606; 116/173, 174, 175;  
248/127, 511, 512, 513, 514, 534, 535,  
536, 537, 538, 539, 540, 541

(56) **References Cited**

**U.S. PATENT DOCUMENTS**

1,198,840 A \* 9/1916 Hanck et al. .... 116/173

2,118,467 A \* 5/1938 Jones ..... 403/173

3,104,122 A \* 9/1963 Daniels ..... 248/219.4

D340,676 S \* 10/1993 Gallagher ..... D11/181

5,269,488 A \* 12/1993 Lach ..... 248/535

D448,717 S \* 10/2001 Hanson et al. .... D12/223

\* cited by examiner

*Primary Examiner*—Doris V. Coles

*Assistant Examiner*—Elizabeth A. Albert

(74) *Attorney, Agent, or Firm*—John L. Welch, Esq.

(57) **CLAIM**

The ornamental design for a flag pole bracket, as shown.

**DESCRIPTION**

FIG. 1 is a perspective view of the flag pole bracket according to my new design.

FIG. 2 is a right side elevational view thereof.

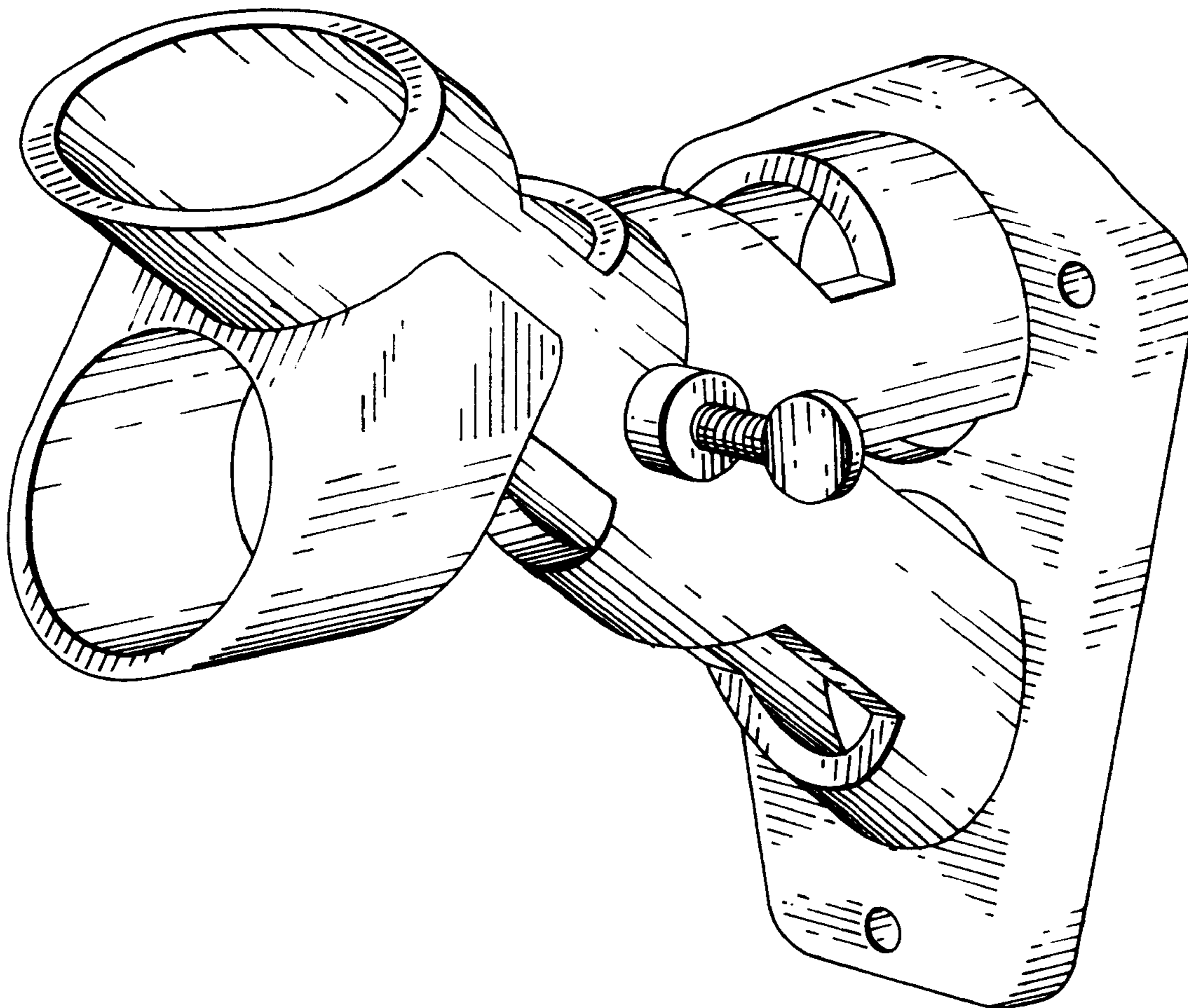
FIG. 3 is a left side elevational view thereof.

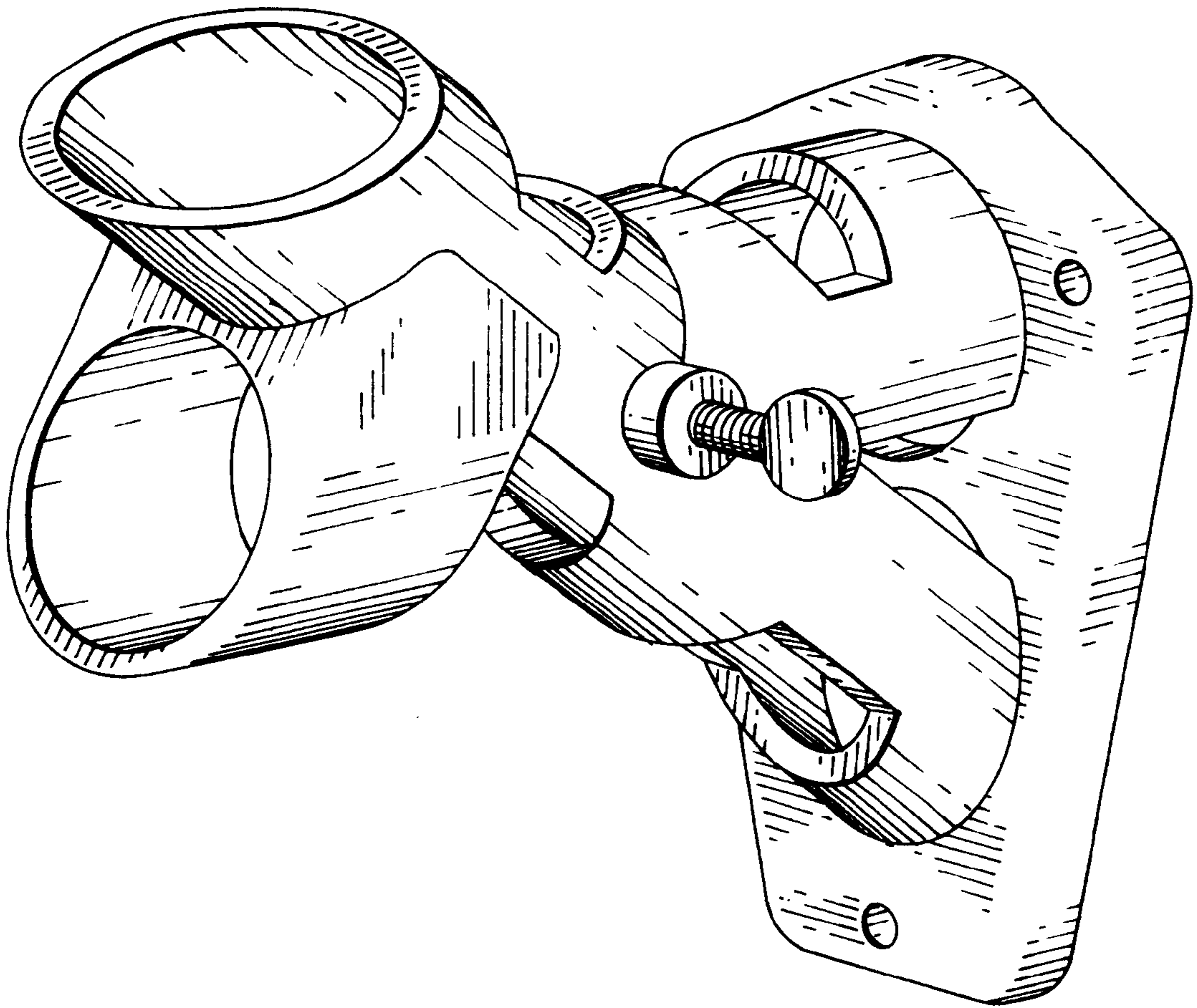
FIG. 4 is a front elevational view thereof.

FIG. 5 is a top plan view thereof; and,

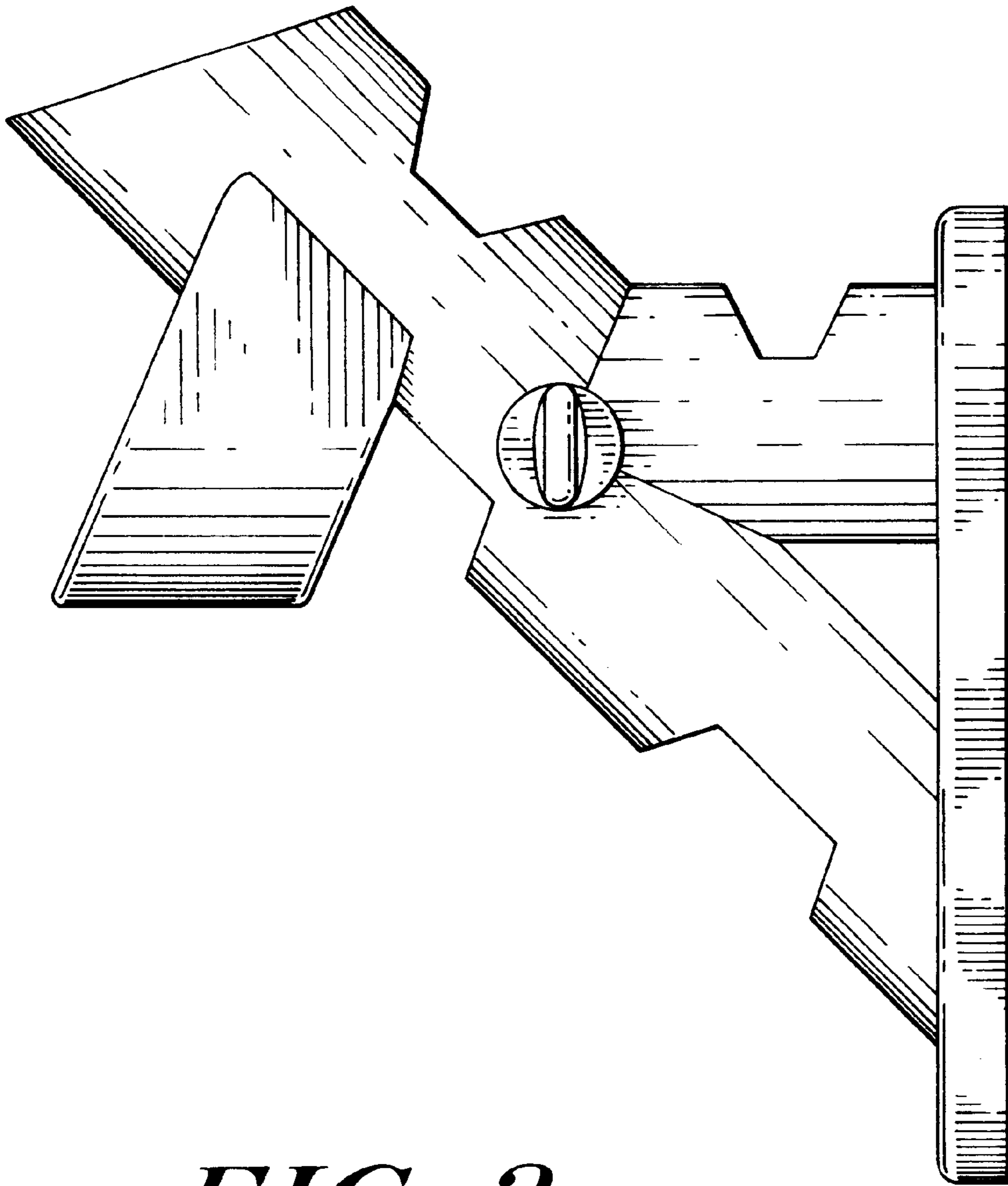
FIG. 6 is a bottom plan view thereof.

**1 Claim, 4 Drawing Sheets**

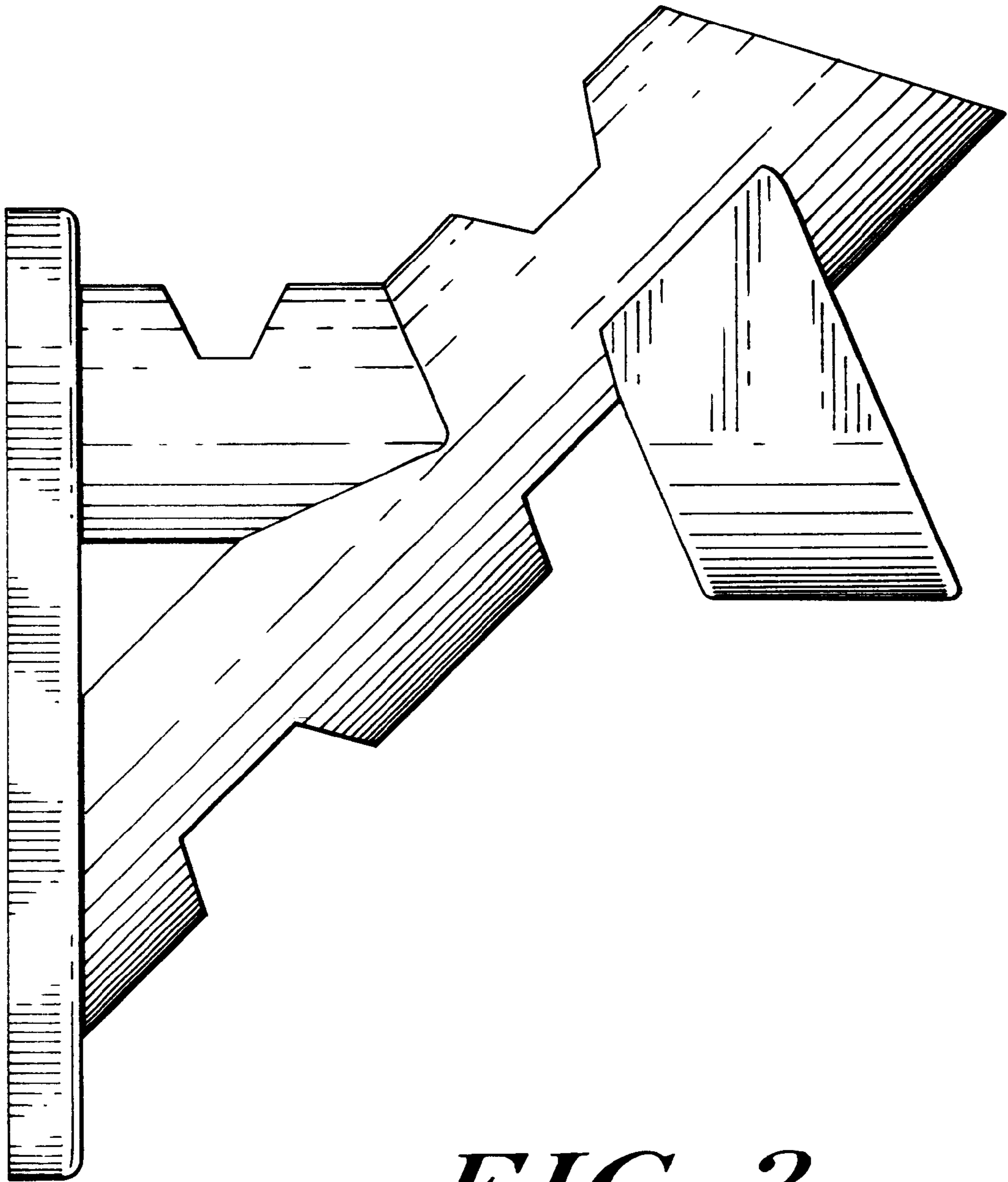




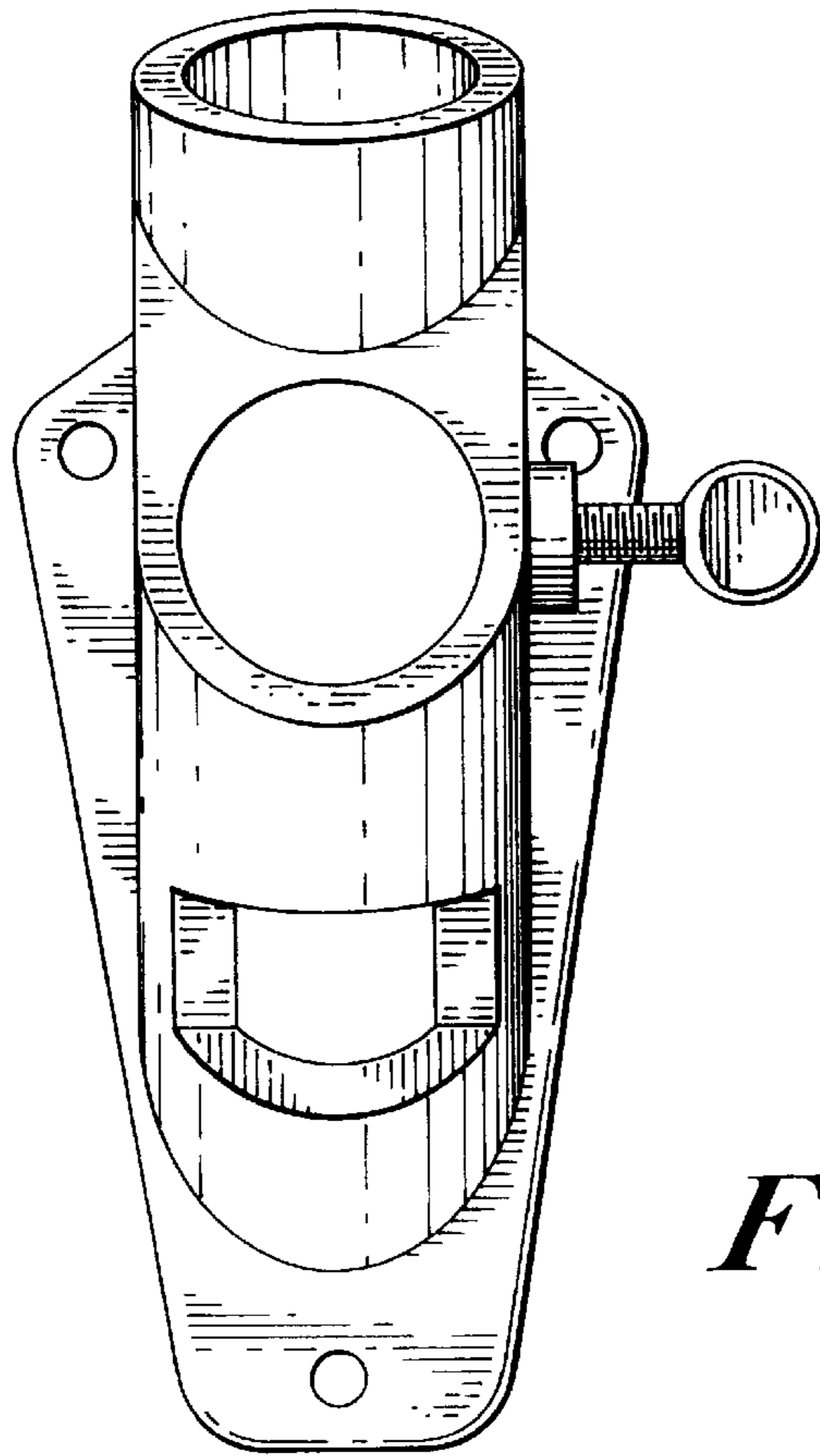
*FIG. 1*



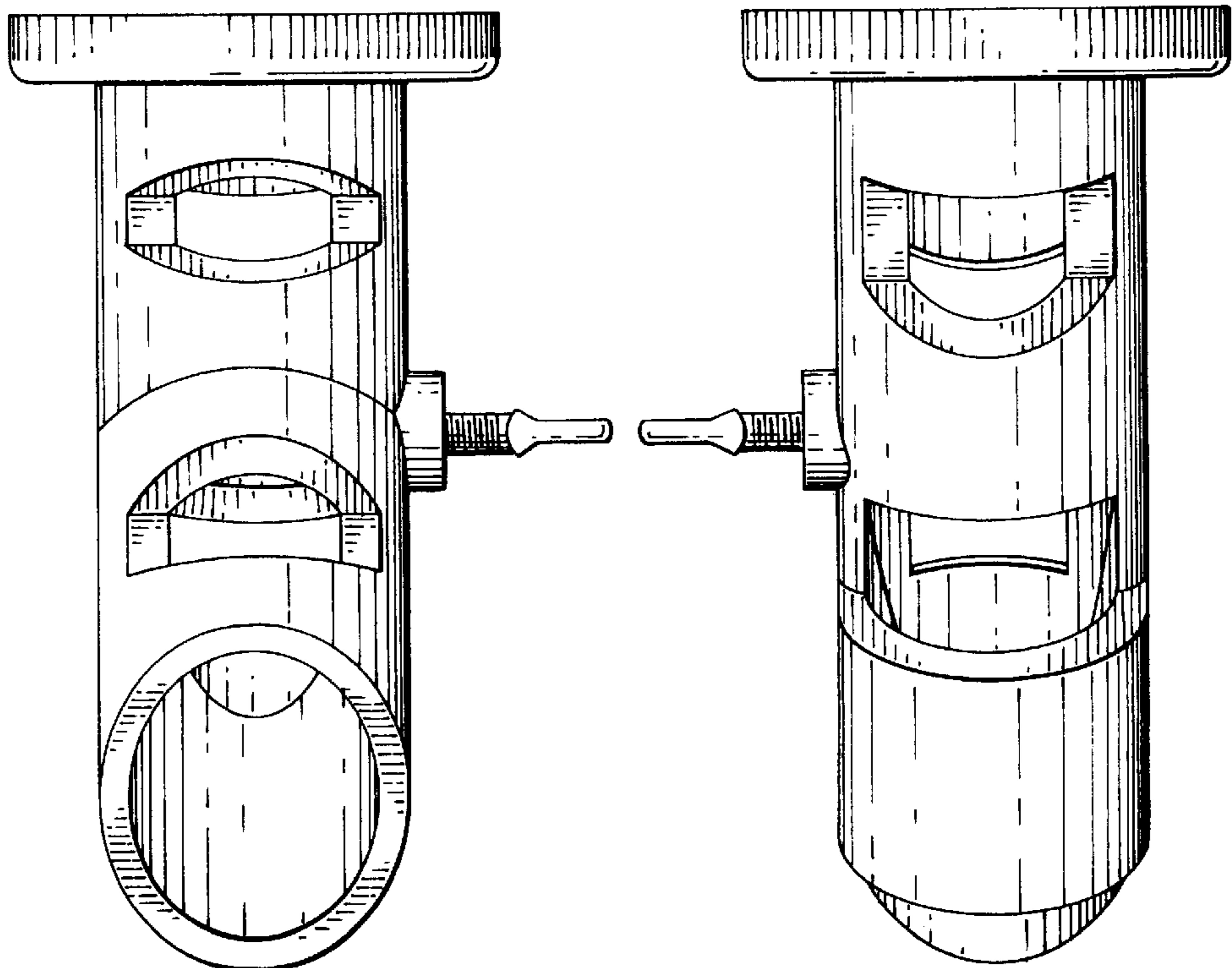
*FIG. 2*



*FIG. 3*



*FIG. 4*



*FIG. 5*

*FIG. 6*