



US00D477241S

(12) **United States Design Patent**
Christianson

(10) **Patent No.:** **US D477,241 S**

(45) **Date of Patent:** **** Jul. 15, 2003**

(54) **RECEIVER/MONITOR**

(75) Inventor: **Tristan M. Christianson**, San Francisco, CA (US)

(73) Assignee: **Sharper Image Corporation**, San Francisco, CA (US)

(**) Term: **14 Years**

(21) Appl. No.: **29/169,593**

(22) Filed: **Oct. 23, 2002**

(51) **LOC (7) Cl.** **10-05**

(52) **U.S. Cl.** **D10/104**

(58) **Field of Search** D10/104; 340/686.1, 340/539, 573.1, 573.4, 825.69; 455/66, 127, 128; 600/534, 484, 502, 528, 586

(56) **References Cited**

U.S. PATENT DOCUMENTS

D386,703 S * 11/1997 Nowak D10/104
6,476,724 B1 * 11/2002 Slomowitz et al. 340/686.1

* cited by examiner

Primary Examiner—Antoine Duval Davis

(74) *Attorney, Agent, or Firm*—Fliesler Dubb Meyer & Lovejoy LLP

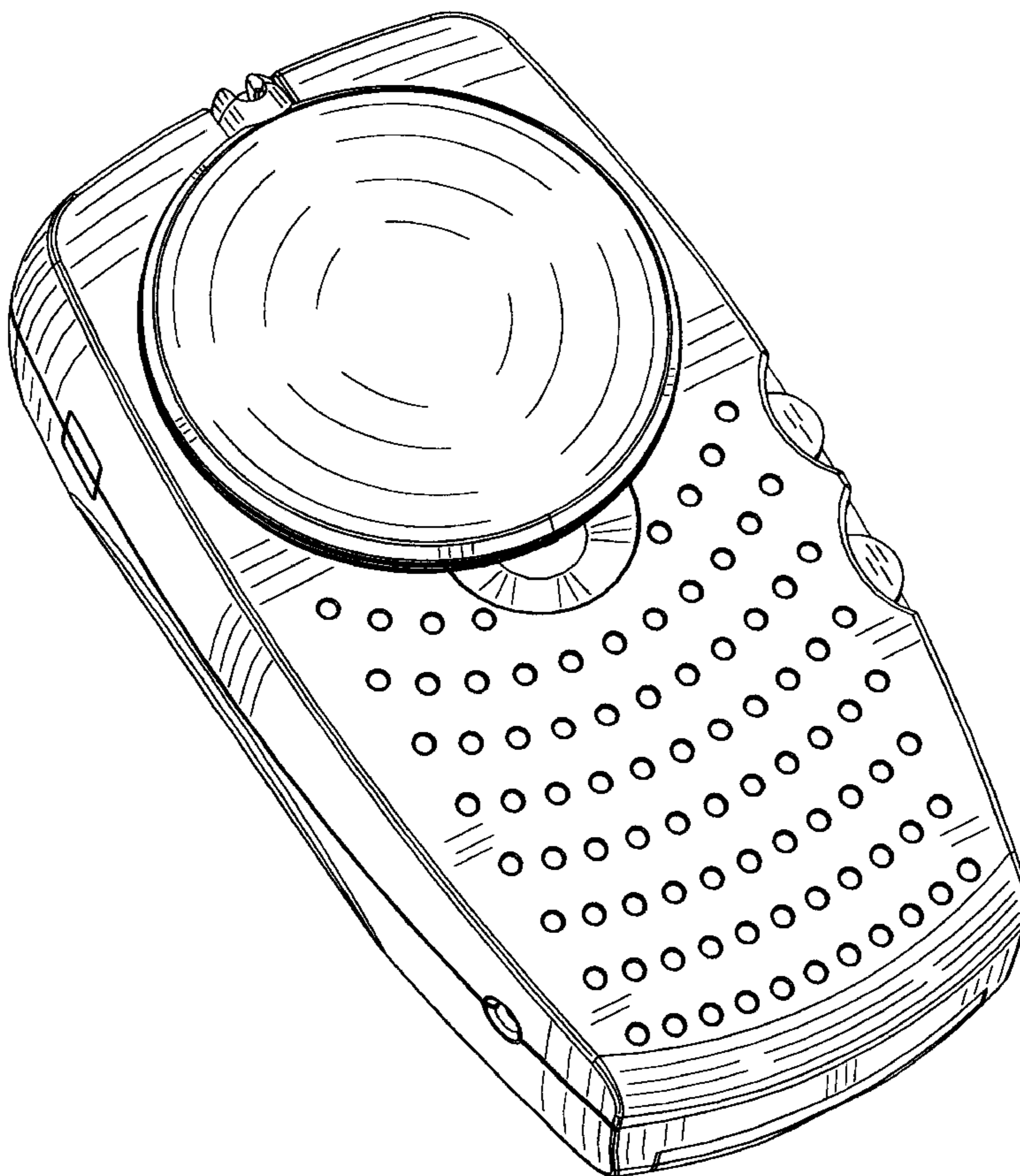
(57) **CLAIM**

The ornamental design for a receiver/monitor, as shown and described.

DESCRIPTION

FIG. 1 is a front closed perspective view of a receiver/monitor showing my new design;
FIG. 2 is a rear closed perspective view thereof;
FIG. 3 is a front closed view thereof;
FIG. 4 is a rear closed view thereof;
FIG. 5 is a top closed view thereof;
FIG. 6 is a bottom closed view thereof;
FIG. 7 is a left closed side view thereof;
FIG. 8 is a right closed side view thereof;
FIG. 9 is a front open perspective view thereof;
FIG. 10 is a rear open perspective view thereof;
FIG. 11 is a front open view thereof;
FIG. 12 is a rear open view thereof;
FIG. 13 is a top open view thereof;
FIG. 14 is a bottom open view thereof.
FIG. 15 is a left open side view thereof; and,
FIG. 16 is a right open side view thereof.

1 Claim, 12 Drawing Sheets



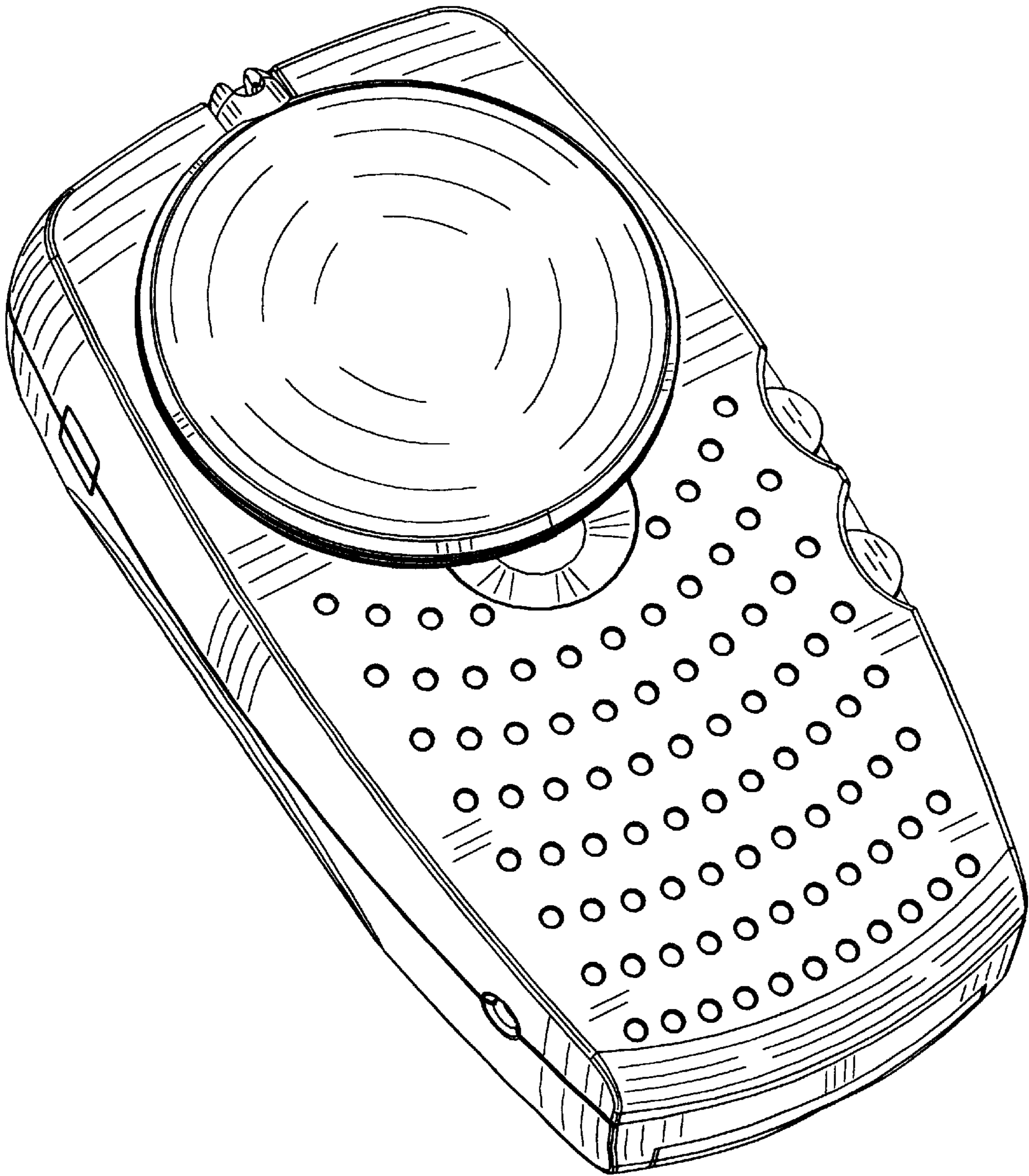


FIG. 1

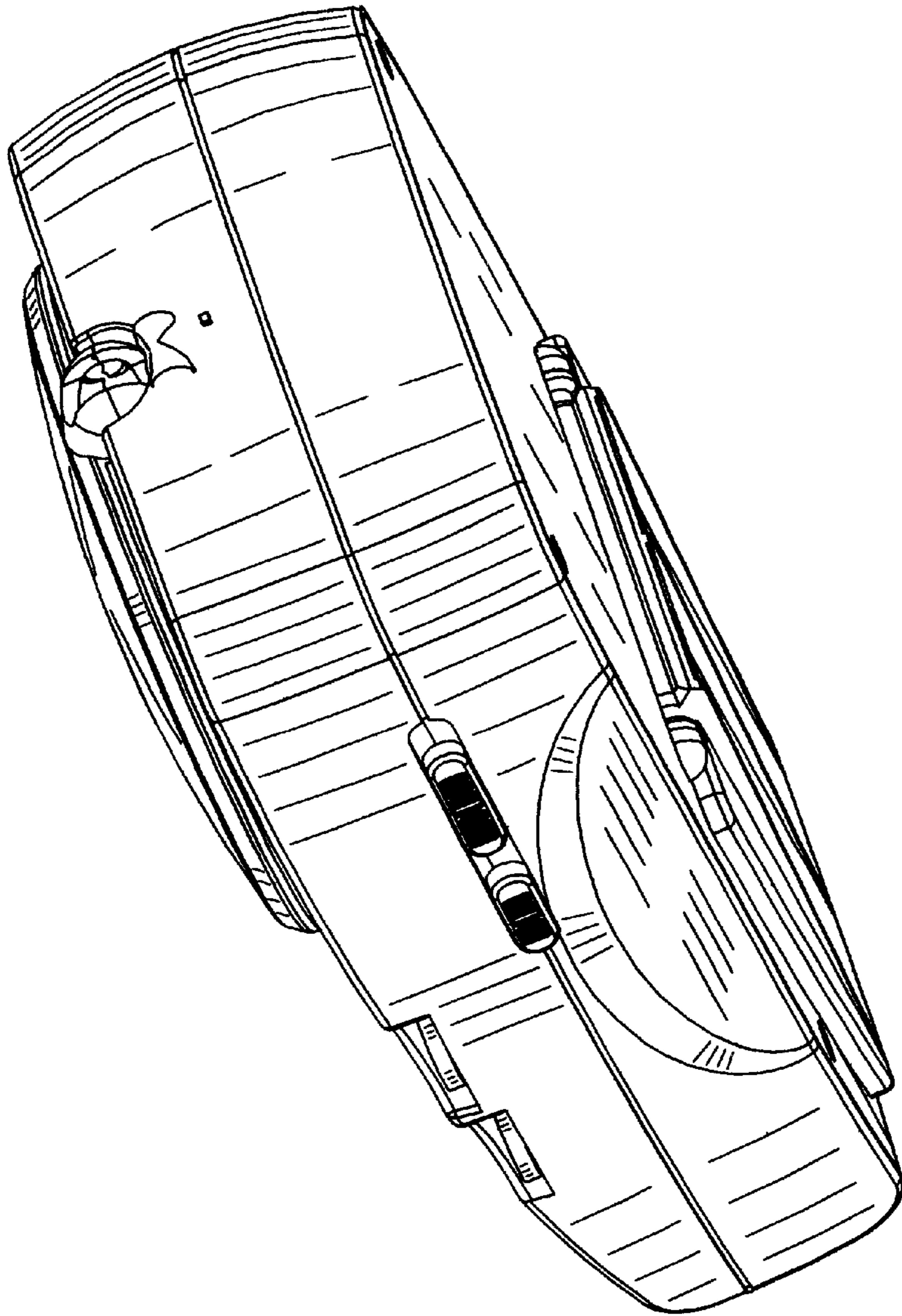


FIG. - 2

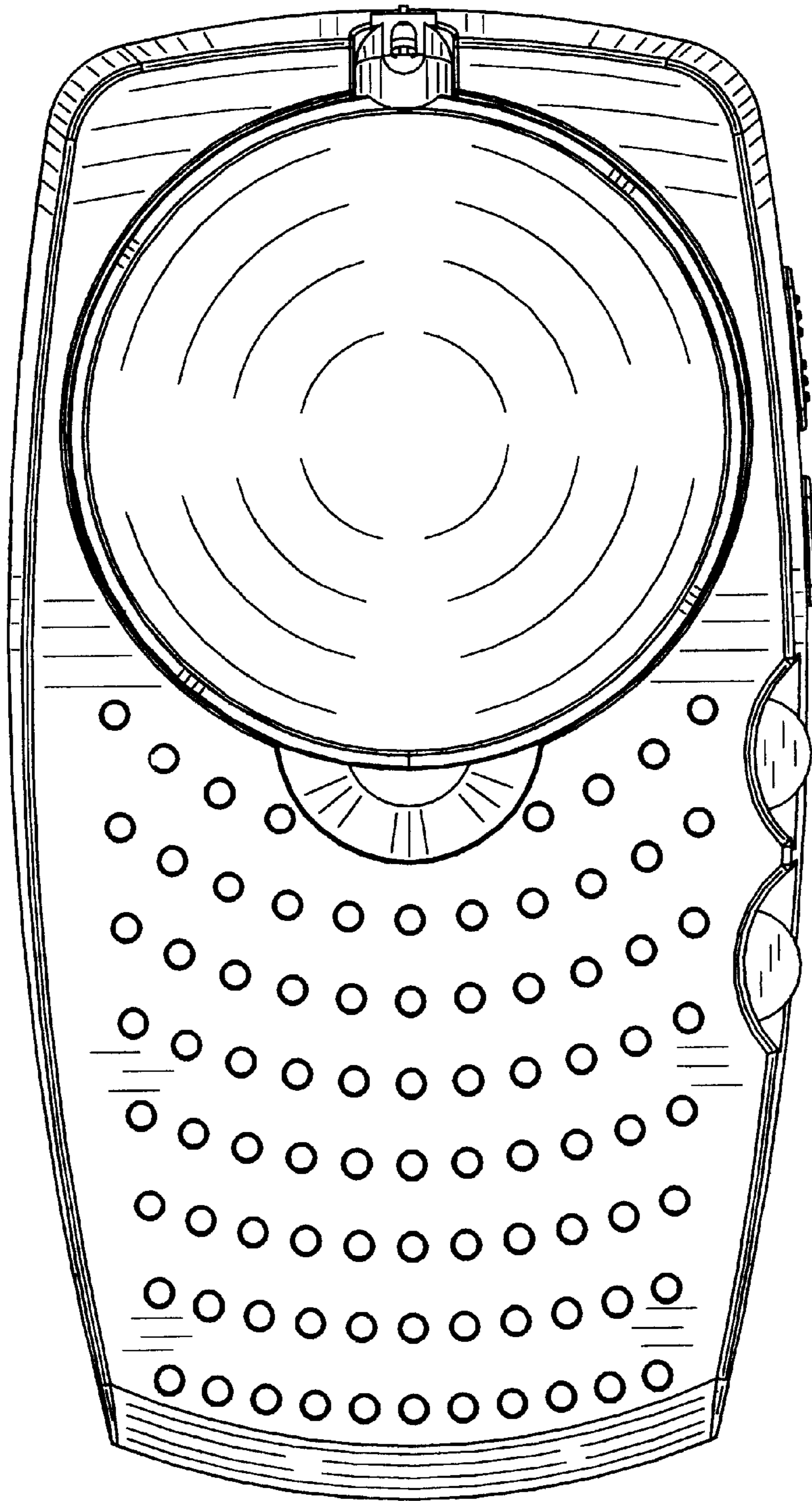


FIG. 3

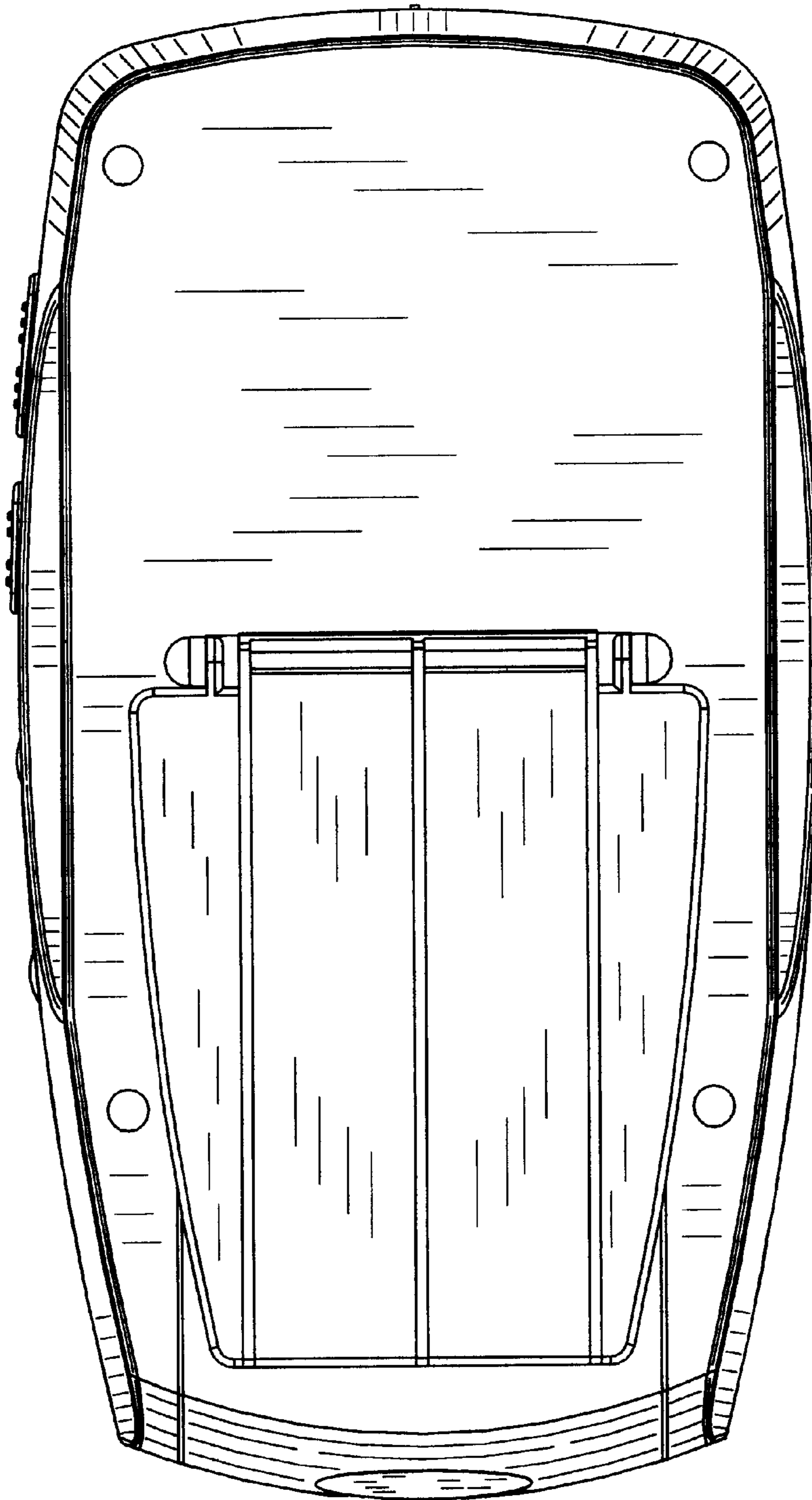


FIG. 4

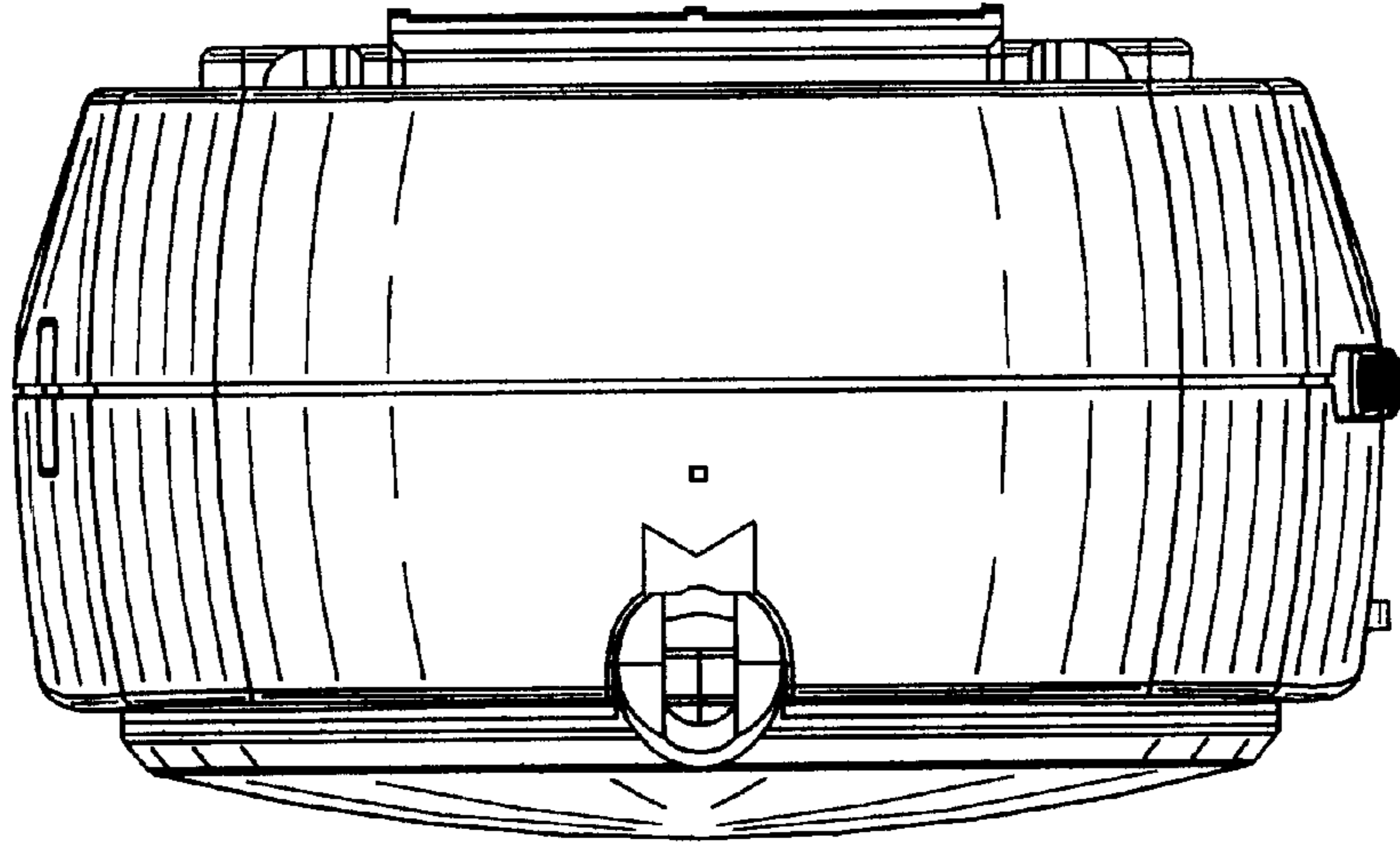


FIG. 5

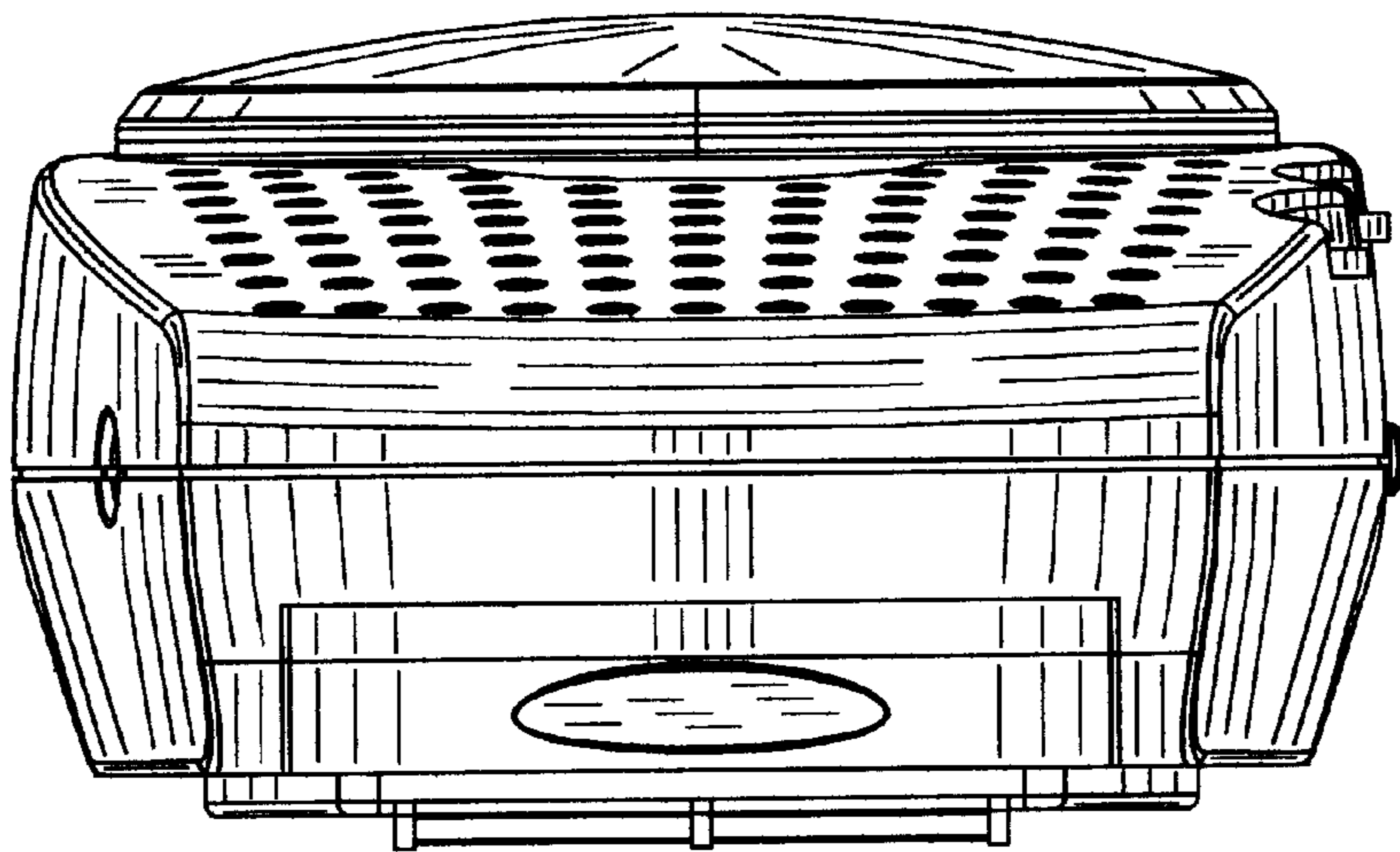


FIG. 6

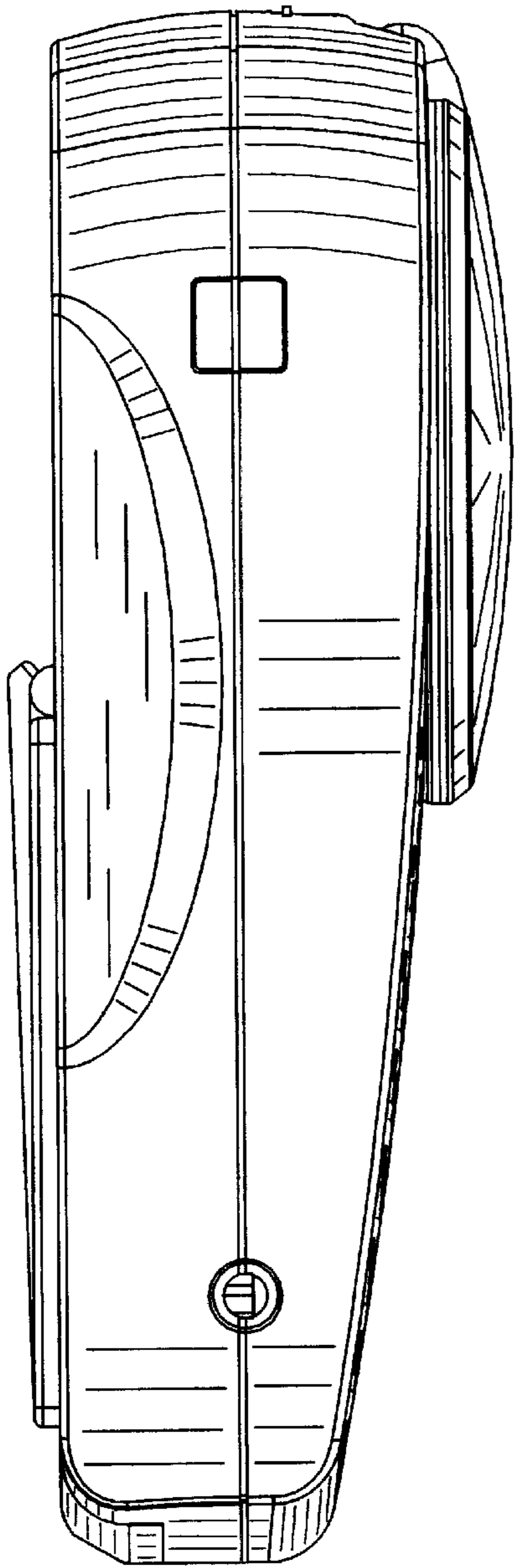


FIG. 7

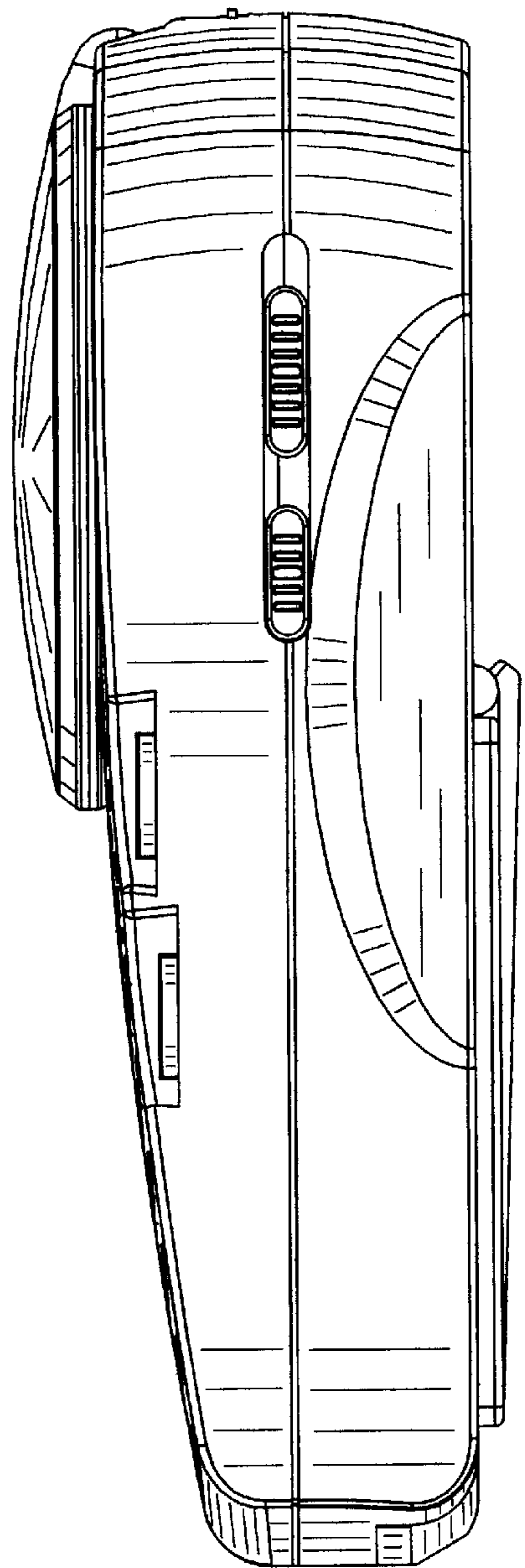


FIG. 8

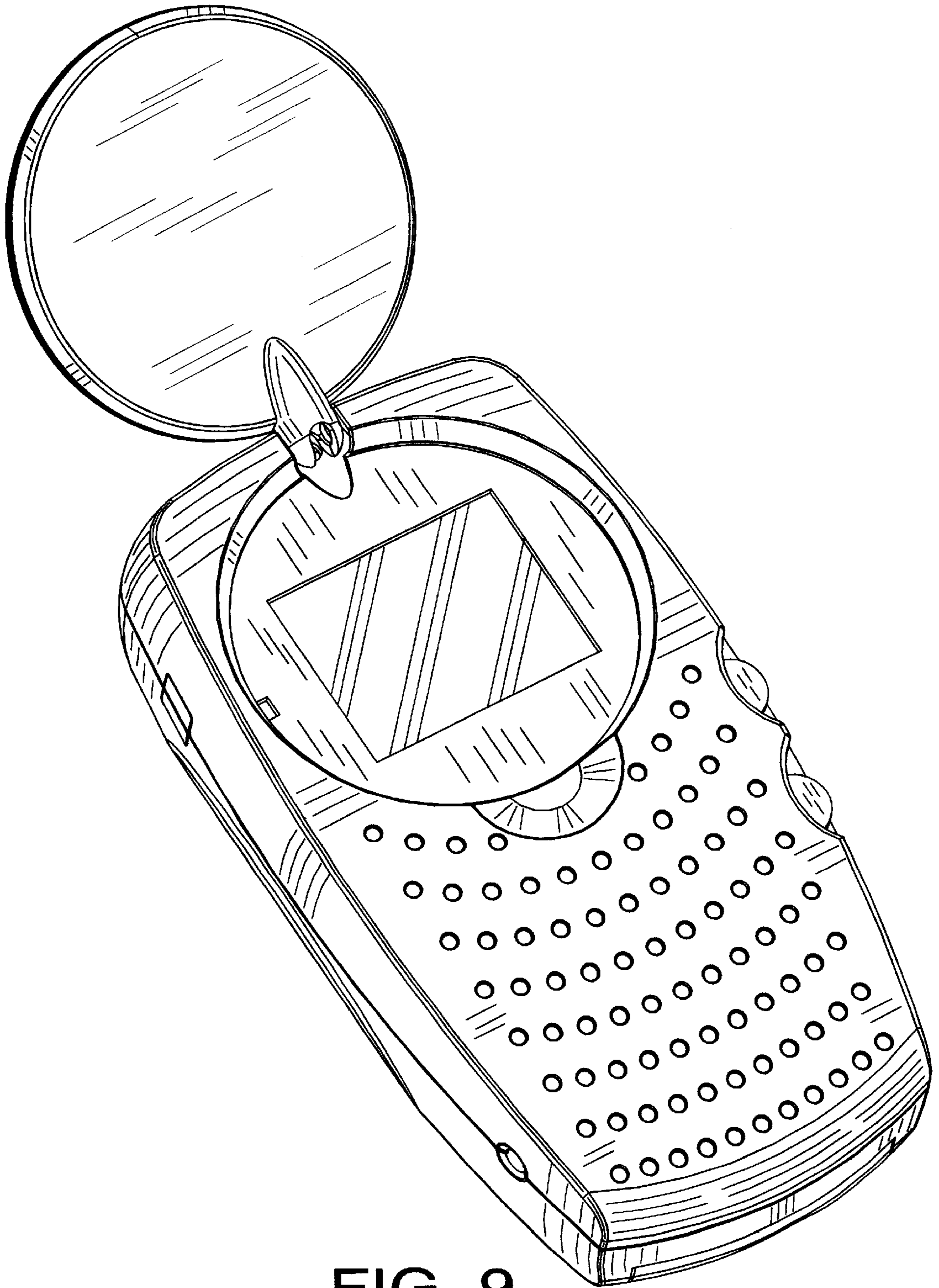


FIG. 9

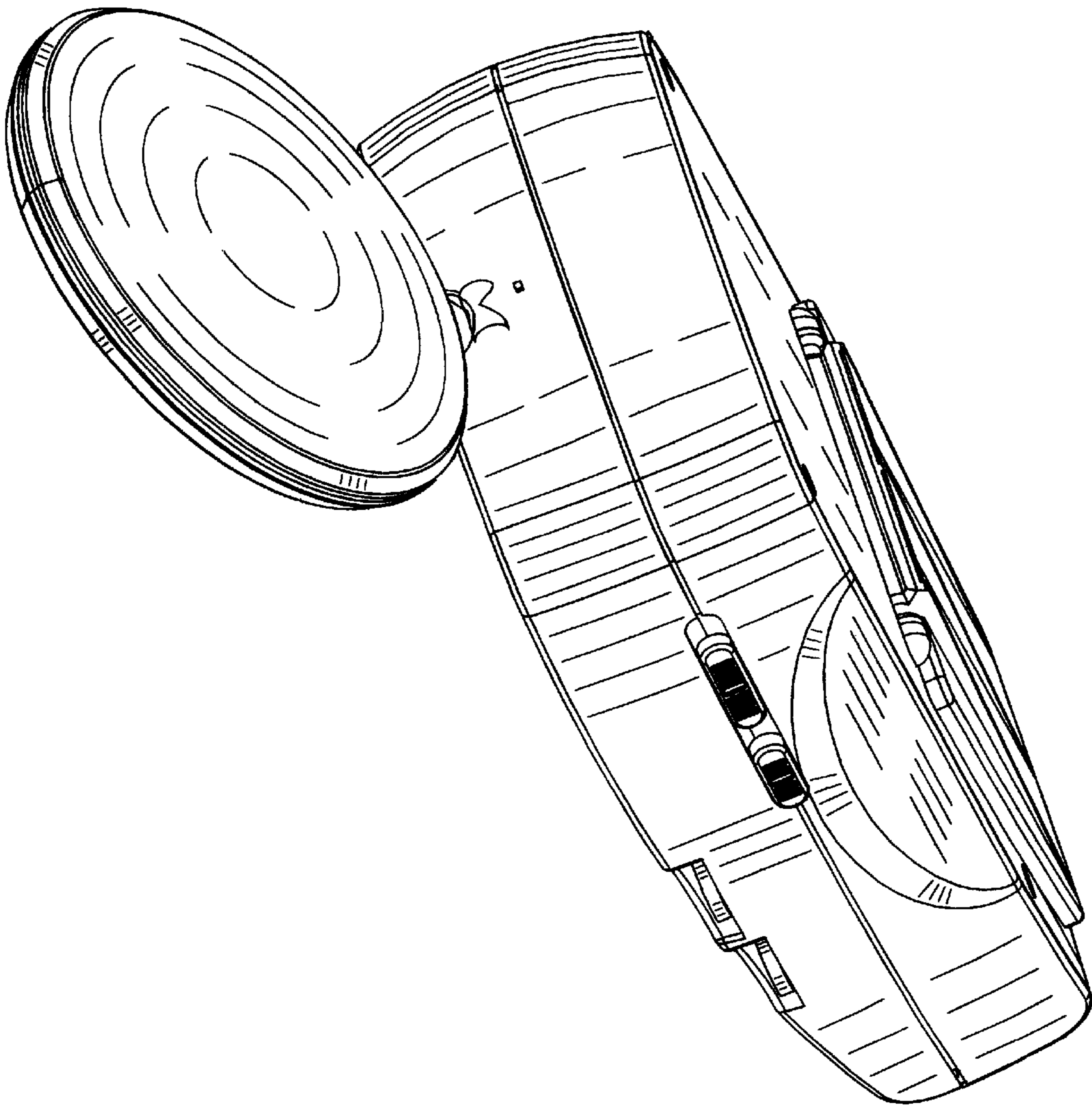


FIG. - 10

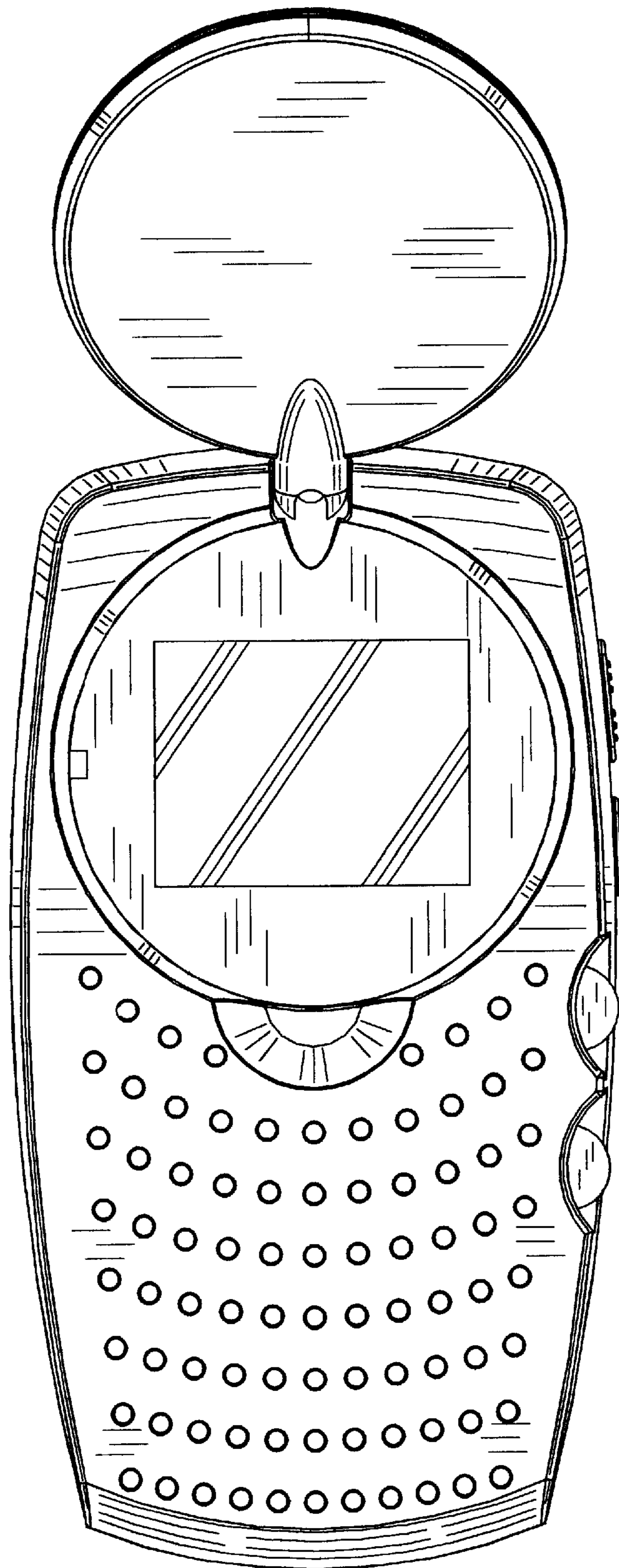


FIG. 11

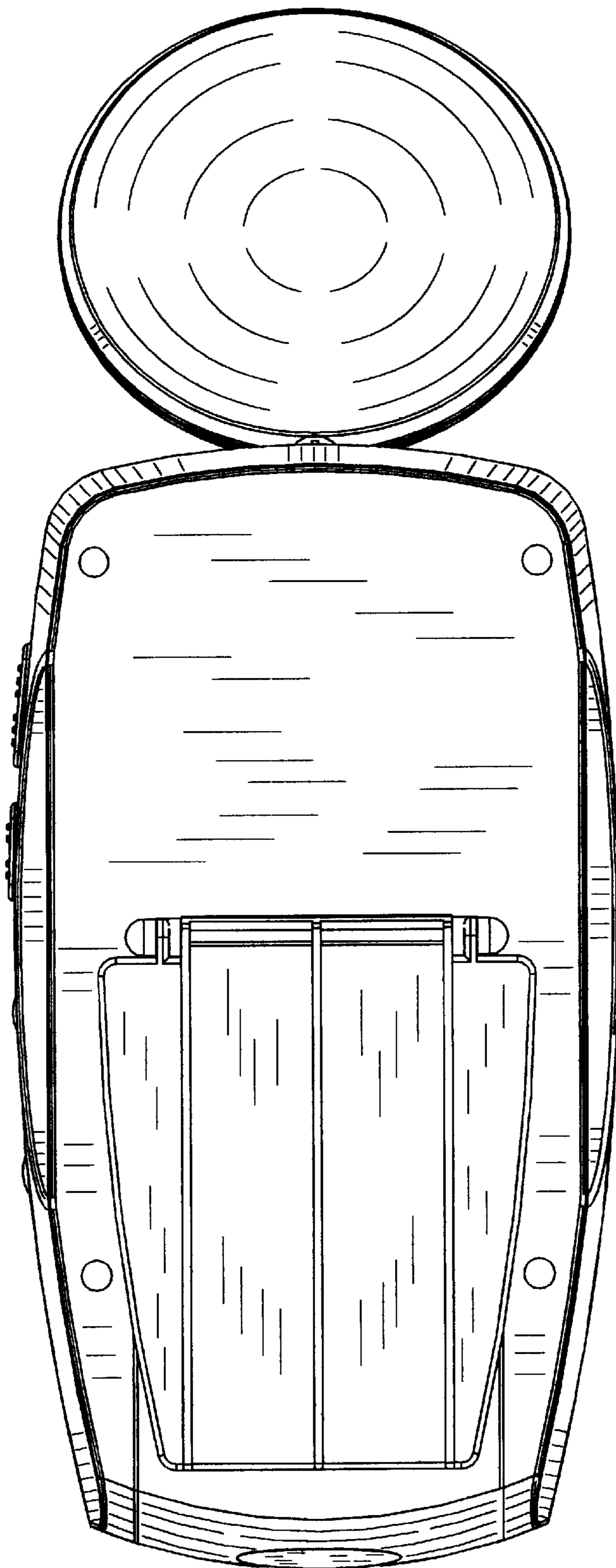


FIG. 12

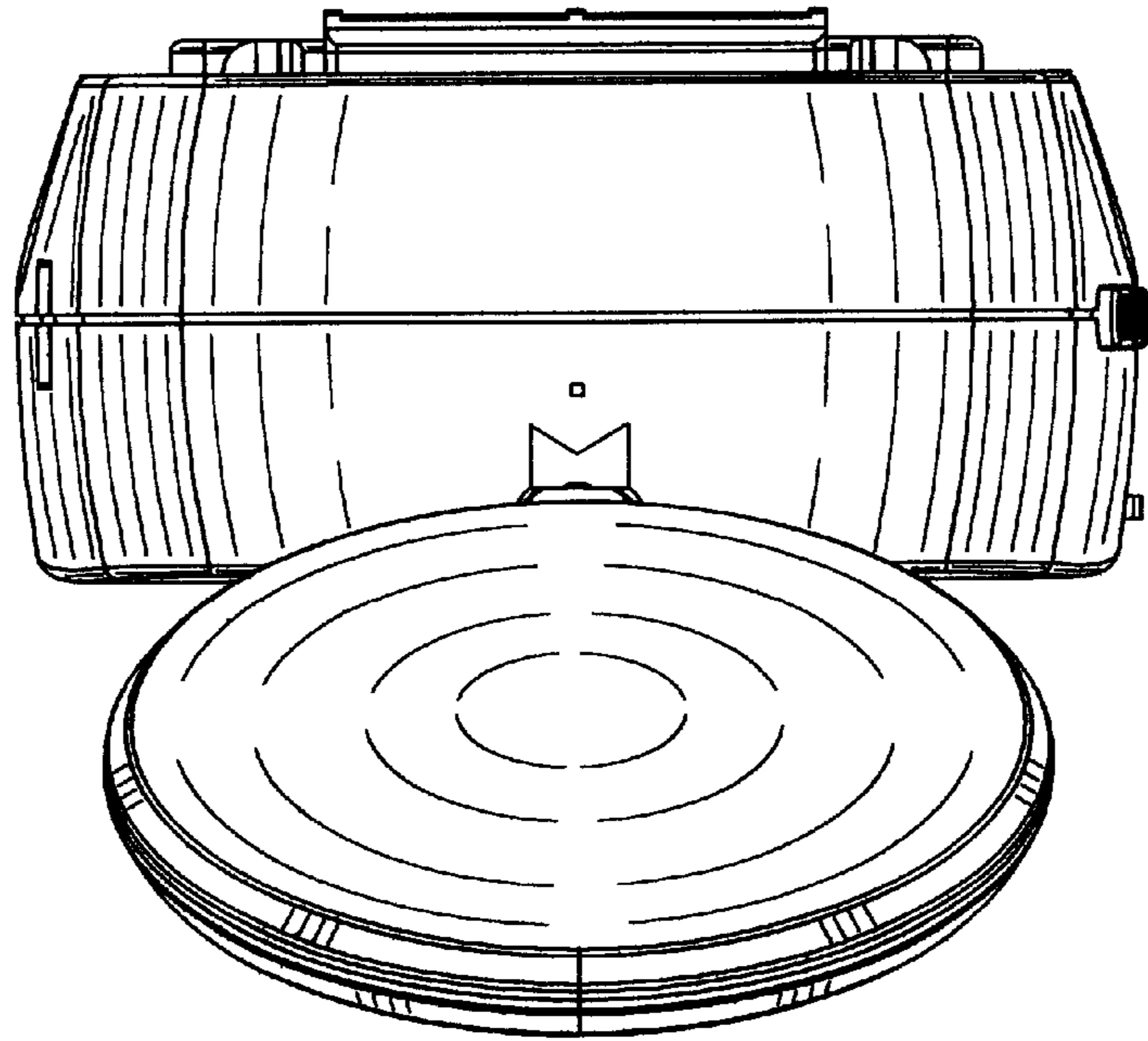


FIG. 13

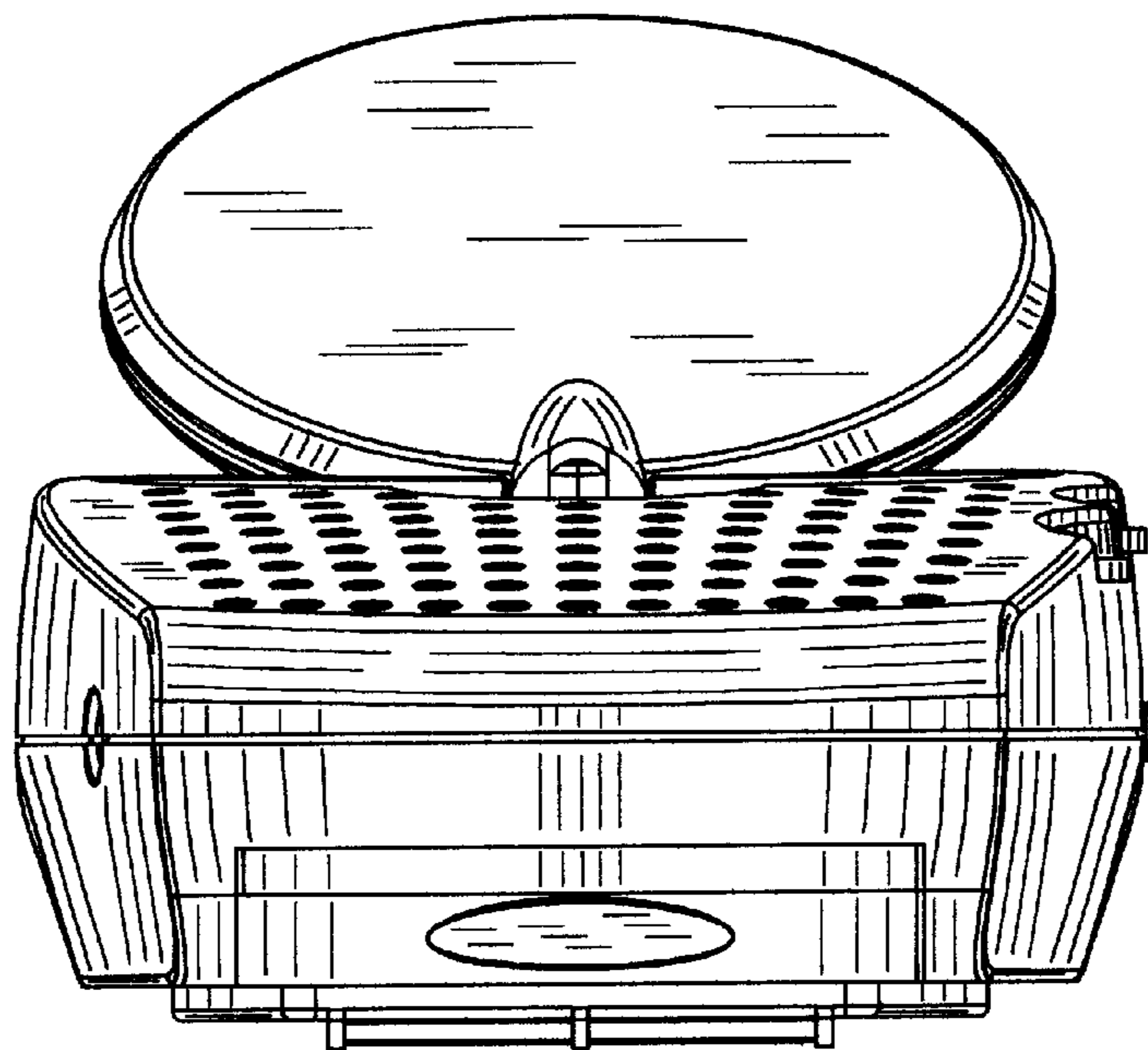


FIG. 14

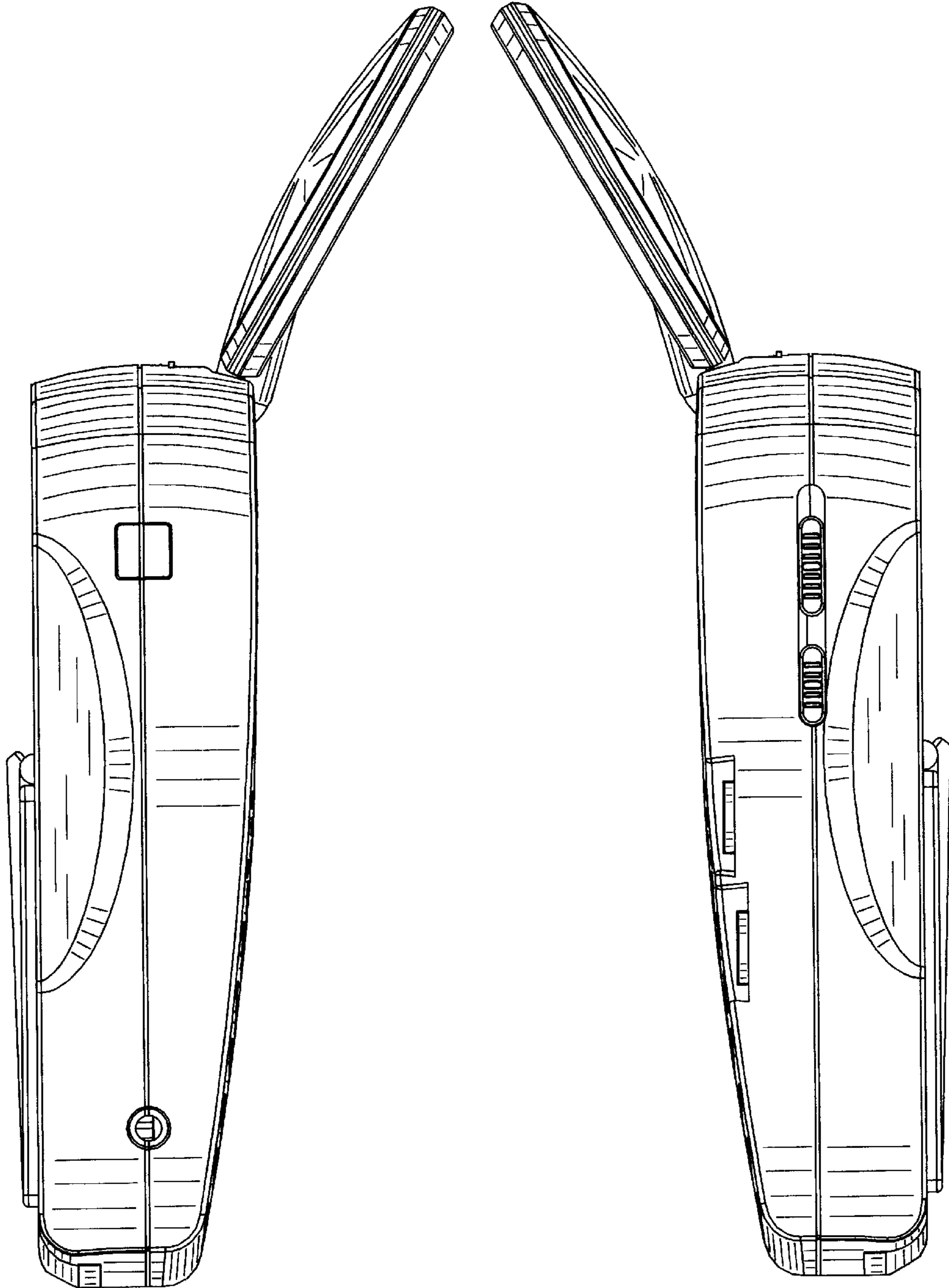


FIG. 15

FIG. 16