



US00D477240S

(12) **United States Design Patent**  
**Huehner**

(10) **Patent No.:** **US D477,240 S**

(45) **Date of Patent:** **\*\* Jul. 15, 2003**

(54) **ANTI-SHOPLIFTING EAS TAG HOLDER**

6,092,401 A \* 7/2000 Sankey et al. .... 70/18  
D468,223 S \* 1/2003 Huehner ..... D10/104

(75) Inventor: **David K. Huehner**, Kent, OH (US)

\* cited by examiner

(73) Assignee: **Alpha Security Products, Inc.**, North Canton, OH (US)

*Primary Examiner*—Antoine Duval Davis  
(74) *Attorney, Agent, or Firm*—Sand & Sebolt

(\*\*) Term: **14 Years**

(21) Appl. No.: **29/163,458**

(57) **CLAIM**

(22) Filed: **Jul. 3, 2002**

The ornamental design for an anti-shoplifting EAS tag holder, as shown and described.

**Related U.S. Application Data**

**DESCRIPTION**

(62) Division of application No. 29/148,890, filed on Sep. 26, 2001, now Pat. No. Des. 468,223.

(51) **LOC (7) Cl.** ..... **10-05**

(52) **U.S. Cl.** ..... **D10/104**

(58) **Field of Search** ..... D10/104, 106;  
340/572.1–572.8, 686.6, 568.2–568.8, 571,  
539; 70/18

FIG. 1 is a perspective view of the anti-shoplifting EAS tag holder showing my new design.

FIG. 2 is a top plan view of FIG. 1.

FIG. 3 is a side elevation view of FIG. 1.

FIG. 4 is a front elevation view of FIG. 1; and,

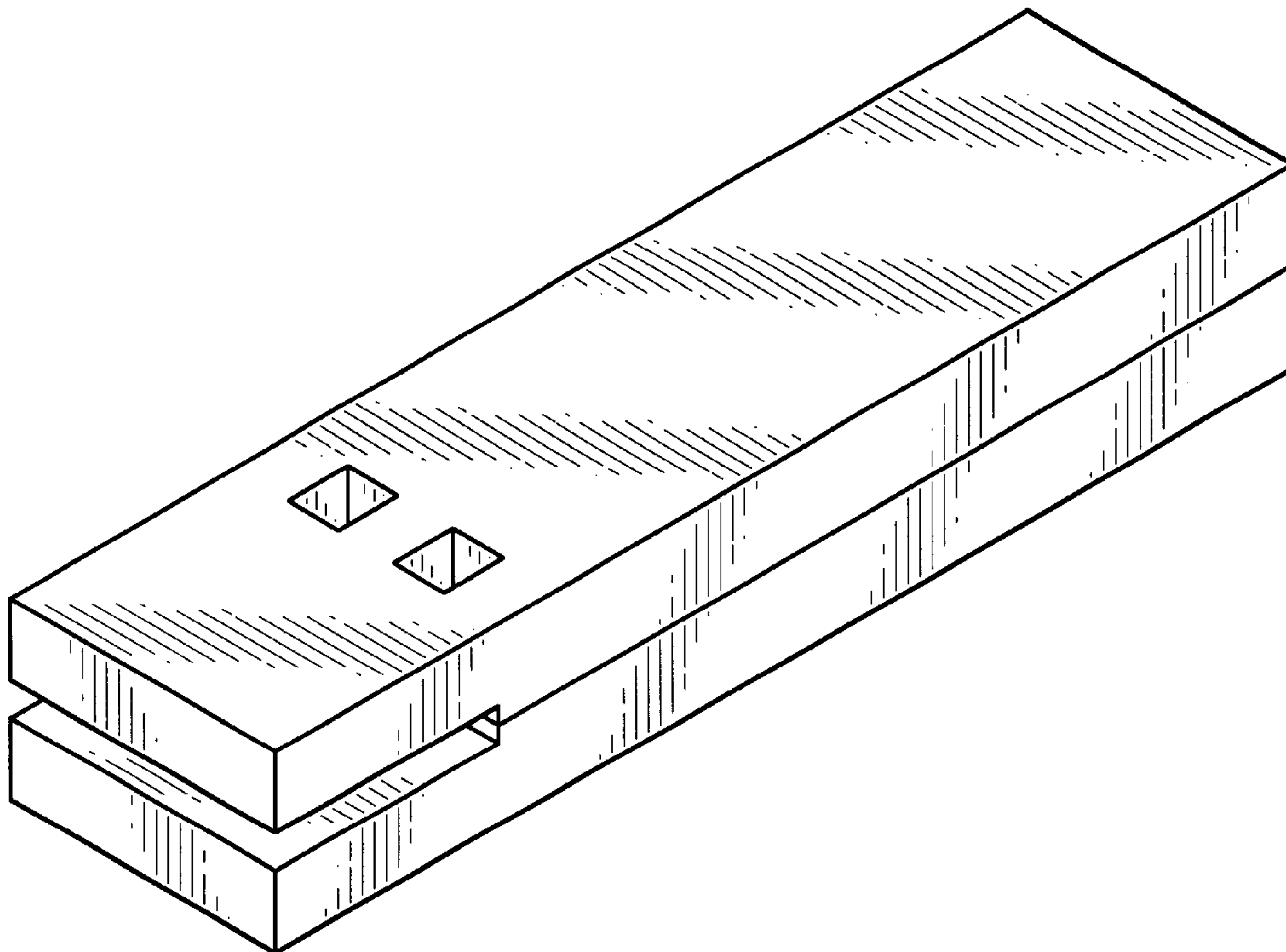
FIG. 5 is a rear elevation view of FIG. 1.

(56) **References Cited**

**U.S. PATENT DOCUMENTS**

6,067,016 A \* 5/2000 Deschenes et al. .... 340/572.8

**1 Claim, 1 Drawing Sheet**



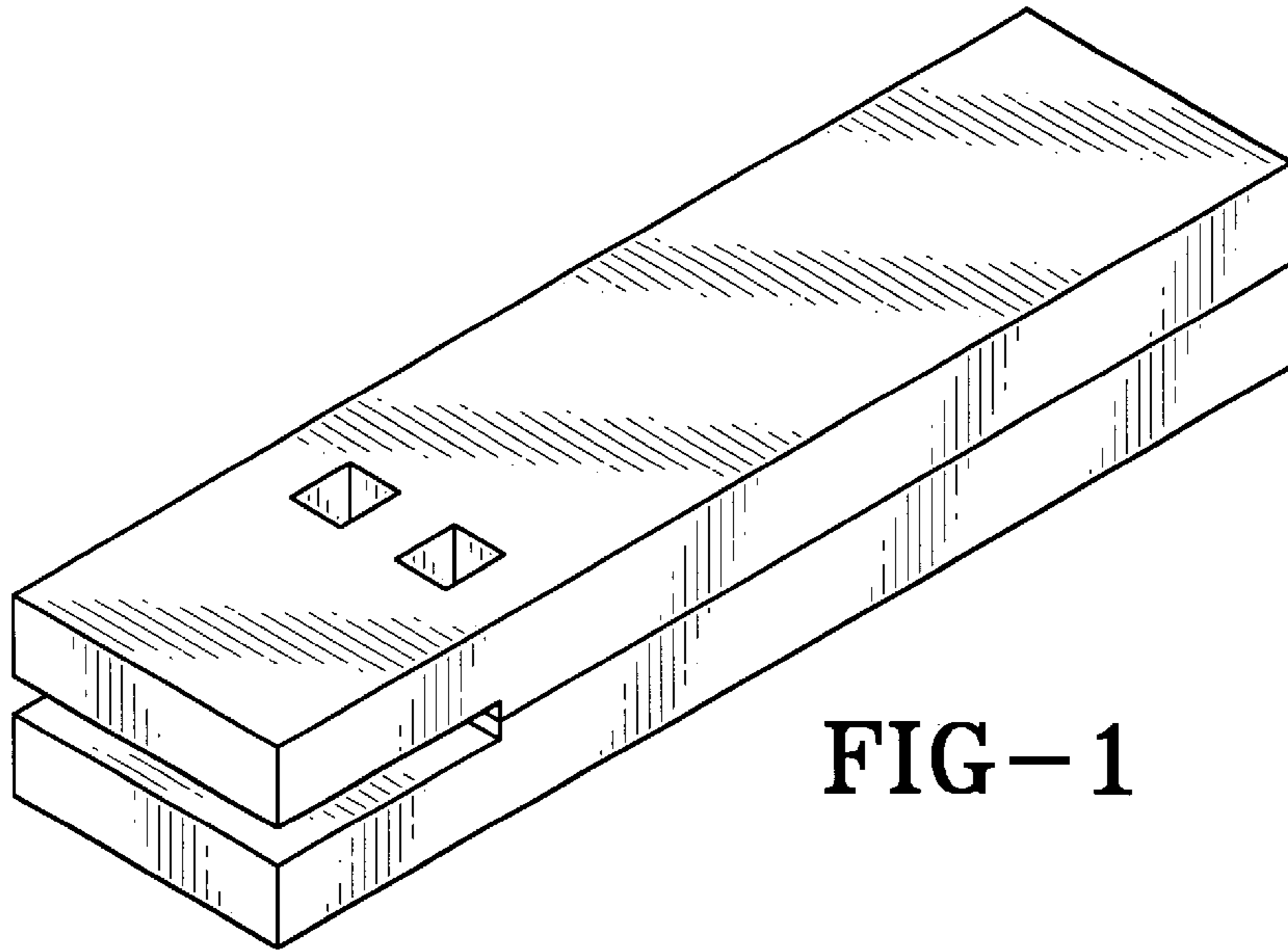


FIG-1

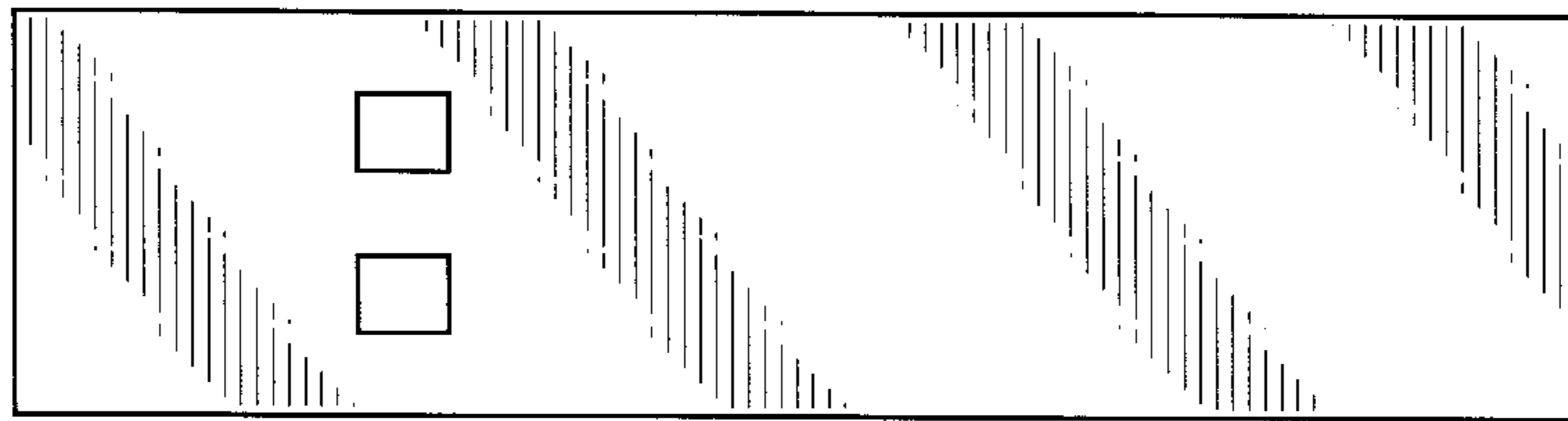


FIG-2

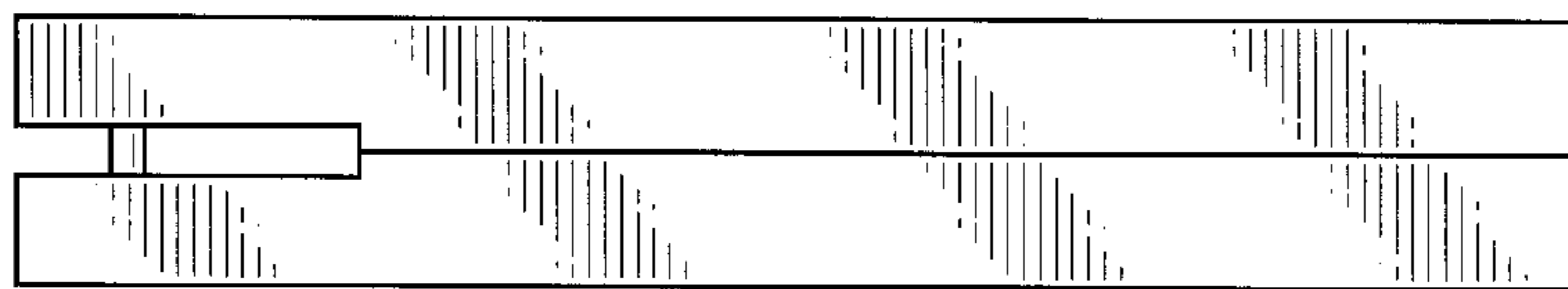


FIG-3

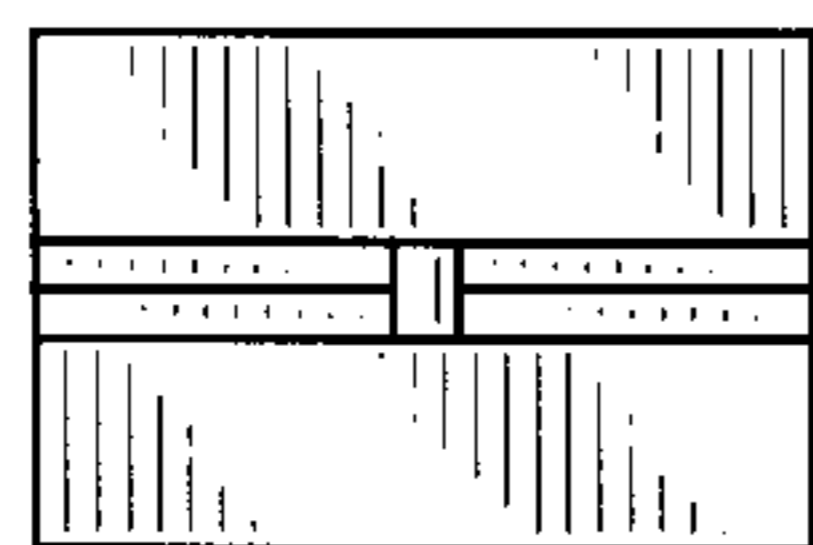


FIG-4

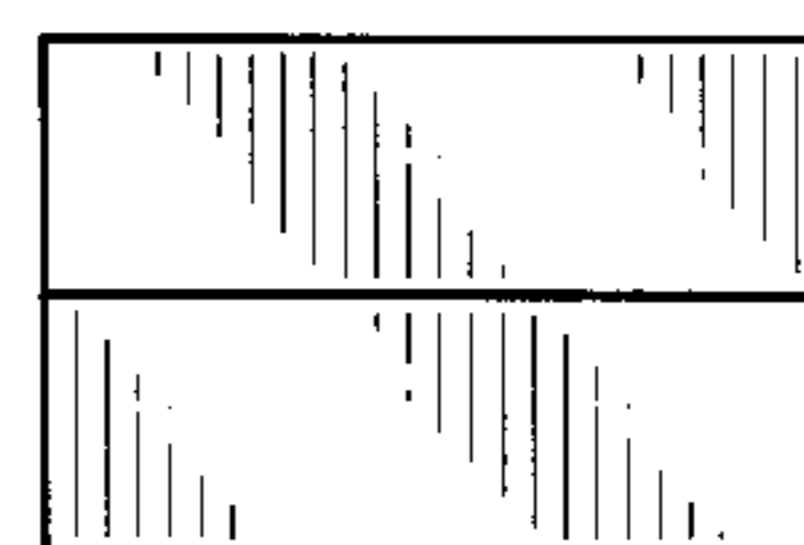


FIG-5