



US00D477223S

(12) **United States Design Patent**  
**Smith et al.**

(10) **Patent No.:** **US D477,223 S**  
(45) **Date of Patent:** **\*\* Jul. 15, 2003**

(54) **RECLOSABLE CONTAINER LID**

4,347,946 A 9/1982 Nichols ..... 220/375

(75) Inventors: **Stephen Alan Smith**, Naperville, IL (US); **Warren Giles Wiedmeyer**, Trevor, WI (US); **John Stewart Gitschlag**, Chicago, IL (US); **James Tam Joines, Jr.**, Gurnee, IL (US); **Bryce G. Rutter**, St. Louis, MO (US); **Brian C. Bone**, St. Louis, MO (US)

(List continued on next page.)

**FOREIGN PATENT DOCUMENTS**

CH	393 955	11/1965
GB	1 600 917	10/1981
JP	07-390379	11/1995
WO	WO 99 47429	9/1999
WO	WO 00 51908	9/2000

(73) Assignee: **Solo Cup Company**, Highland Park, IL (US)

**OTHER PUBLICATIONS**

(\*\*) Term: **14 Years**

US 6,003,721, 12/1999, Fleming (withdrawn) Berrington, N., *International Search Report*, Sep. 4, 2002, 6 pp., Patent Cooperation Treaty, Rijswijk, Netherlands.

(21) Appl. No.: **29/165,202**

(22) Filed: **Aug. 5, 2002**

*Primary Examiner*—Louis S. Zarfaz  
*Assistant Examiner*—Gregory Andoll  
(74) *Attorney, Agent, or Firm*—Wallenstein & Wagner, Ltd.

**Related U.S. Application Data**

**CLAIM**

(63) Continuation-in-part of application No. 09/923,763, filed on Aug. 6, 2001.

(57) What is claimed is the ornamental design for a reclosable container lid, as shown and described.

(51) **LOC (7) Cl.** ..... **09-07**

**DESCRIPTION**

(52) **U.S. Cl.** ..... **D9/447; D9/449; D9/450; D9/454**

(58) **Field of Search** ..... D9/435, 440, 447, D9/449, 454; D7/510, 511, 392, 392.1; 220/711, 713, 714

FIG. 1 is a perspective view of a preferred embodiment of a reclosable container lid of the invention;  
FIG. 2 is a side view of the reclosable container lid of FIG. 1;  
FIG. 3 is a side view of the reclosable container lid of FIG. 1;  
FIG. 4 is a side view of the reclosable container lid of FIG. 1;  
FIG. 5 is a top view of the reclosable container lid of FIG. 1; and,  
FIG. 6 is a sectional view of the reclosable container lid taken along line 6—6 of FIG. 1, showing the contour of the lid.

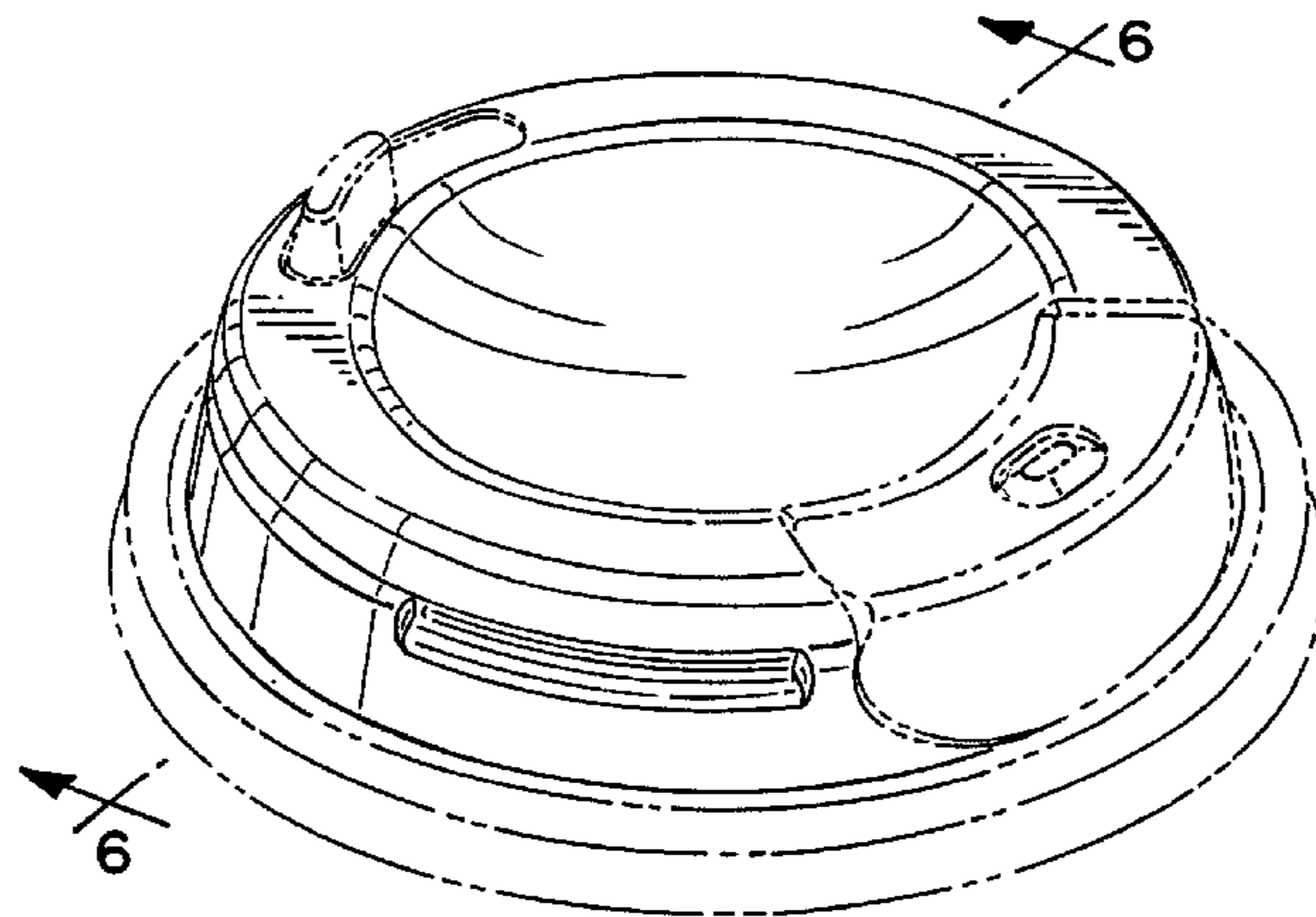
(56) **References Cited**

**U.S. PATENT DOCUMENTS**

1,237,228 A	8/1917	Westover	
1,896,976 A	2/1933	Schifferdecker	
4,091,956 A	5/1978	Vecchio	220/231
4,138,033 A	2/1979	Payne et al.	220/254
4,141,461 A	2/1979	LaChance	220/253
4,183,443 A	1/1980	DeParales et al.	220/90.4
4,188,457 A	2/1980	Throp	428/542
4,331,255 A	5/1982	Fournier	220/259
4,333,583 A	6/1982	Montemarano	220/90.4
4,345,695 A	8/1982	Galloway, deceased et al.	220/254

The broken lines in the Figures form no part of the claimed design.  
The above statement has been inserted in the specification preceding the claim.

**1 Claim, 2 Drawing Sheets**



# US D477,223 S

Page 2

## U.S. PATENT DOCUMENTS

4,350,260 A	9/1982	Prueher .....	220/254	5,395,006 A	3/1995	Verma .....	220/371
4,361,249 A	11/1982	Tuneski et al. ....	220/254	5,398,843 A	3/1995	Warden et al. ....	220/711
4,420,092 A	12/1983	Finkelstein .....	220/254	5,415,312 A	5/1995	Mueller .....	220/254
4,441,624 A	4/1984	Sokolowski .....	220/254	5,421,472 A	6/1995	Beckertgis .....	220/253
4,449,640 A	5/1984	Finkelstein .....	220/270	5,449,085 A	9/1995	Brun, Jr. ....	220/253
4,503,992 A	3/1985	Sitko et al. ....	220/90.4	5,485,938 A	1/1996	Boersma .....	220/714
4,557,398 A	12/1985	Hambleton et al. ....	220/270	5,490,609 A	2/1996	Lane et al. ....	220/712
4,570,817 A	2/1986	Hambleton et al. ....	220/345	5,495,941 A	3/1996	Leonard .....	206/366
4,579,245 A	4/1986	Narushko .....	220/253	5,497,920 A	3/1996	Moeller et al. ....	222/36
4,589,569 A	5/1986	Clements .....	220/380	D368,624 S *	4/1996	Forrer .....	D9/447
4,598,837 A	7/1986	Kreiseder et al. ....	220/253	5,503,289 A	4/1996	Fox .....	220/254
4,619,372 A	10/1986	McFarland .....	220/90.4	5,503,662 A	4/1996	Berger .....	96/108
4,629,088 A	12/1986	Durgin .....	220/254	5,588,561 A	12/1996	Ness .....	222/129
4,657,139 A	4/1987	Hanifl .....	220/336	5,613,619 A	3/1997	Van Melle .....	220/712
4,705,197 A	11/1987	Gordon et al. ....	206/604	5,699,927 A	12/1997	Lane et al. ....	220/254
4,718,570 A	1/1988	Diener .....	220/253	5,706,972 A	1/1998	Sousa .....	220/714
4,738,373 A	4/1988	DeParales .....	220/254	5,718,353 A	2/1998	Kanfer et al. ....	221/63
4,741,450 A	5/1988	Braude .....	220/90.4	5,727,707 A	3/1998	Wickland et al. ....	220/288
4,770,325 A	9/1988	Gordon et al. ....	222/481	5,766,660 A	6/1998	Lee et al. ....	426/118
4,782,975 A	11/1988	Coy .....	220/90.4	5,775,205 A	7/1998	Melton .....	99/322
4,790,444 A	12/1988	Terzi .....	220/90.2	5,839,601 A	11/1998	Van Melle .....	220/712
4,792,054 A	12/1988	Weidman .....	222/23	D402,556 S *	12/1998	Frye .....	D9/447
4,796,774 A	1/1989	Nabinger .....	220/90.4	5,866,184 A	2/1999	Gorlich et al. ....	426/396
4,863,051 A	9/1989	Eibner et al. ....	215/261	5,873,298 A	2/1999	Chang .....	99/340
4,869,389 A	9/1989	Cerrone, Jr. ....	220/90.2	5,913,964 A	6/1999	Melton .....	99/322
4,899,902 A	2/1990	DeMars .....	220/254	5,947,319 A	9/1999	Sinski .....	220/318
4,915,250 A	4/1990	Hayes, Jr. ....	220/90.4	5,947,323 A	9/1999	Freek et al. ....	220/709
4,932,555 A	6/1990	La Barge .....	220/375	5,954,241 A	9/1999	Huang .....	222/548
4,938,379 A	7/1990	Kellner .....	220/370	5,979,689 A	11/1999	Lansky .....	220/255
4,949,865 A	8/1990	Turner .....	220/254	5,996,837 A	12/1999	Freek et al. ....	220/713
4,953,743 A	9/1990	Dart et al. ....	220/369	6,003,711 A	12/1999	Bilewitz .....	200/253
5,012,061 A	4/1991	Lesser .....	519/10.55	6,010,029 A	1/2000	Wang .....	220/714
5,111,961 A	5/1992	Van Melle .....	220/712	6,089,397 A	7/2000	Van Melle .....	220/270
5,148,936 A	9/1992	DeGrow .....	220/254	6,095,033 A	8/2000	Melton .....	99/323.3
5,167,338 A	12/1992	Kick .....	220/253	6,176,384 B1	1/2001	Voloshin .....	220/253
5,180,073 A	1/1993	Fay et al. ....	215/161	D437,223 S *	2/2001	Coy et al. ....	D9/447
5,183,172 A	2/1993	Boller .....	220/270	6,199,711 B1	3/2001	Lansky .....	220/255
5,193,704 A	3/1993	Kick .....	220/253	6,216,904 B1	4/2001	Cagan .....	220/253
5,197,624 A	3/1993	Doddaro .....	220/254	6,220,470 B1	4/2001	McHenry et al. ....	220/254
5,205,430 A	4/1993	Valyi .....	220/278	6,305,571 B1	10/2001	Chu .....	220/719

\* cited by examiner

FIG. 1

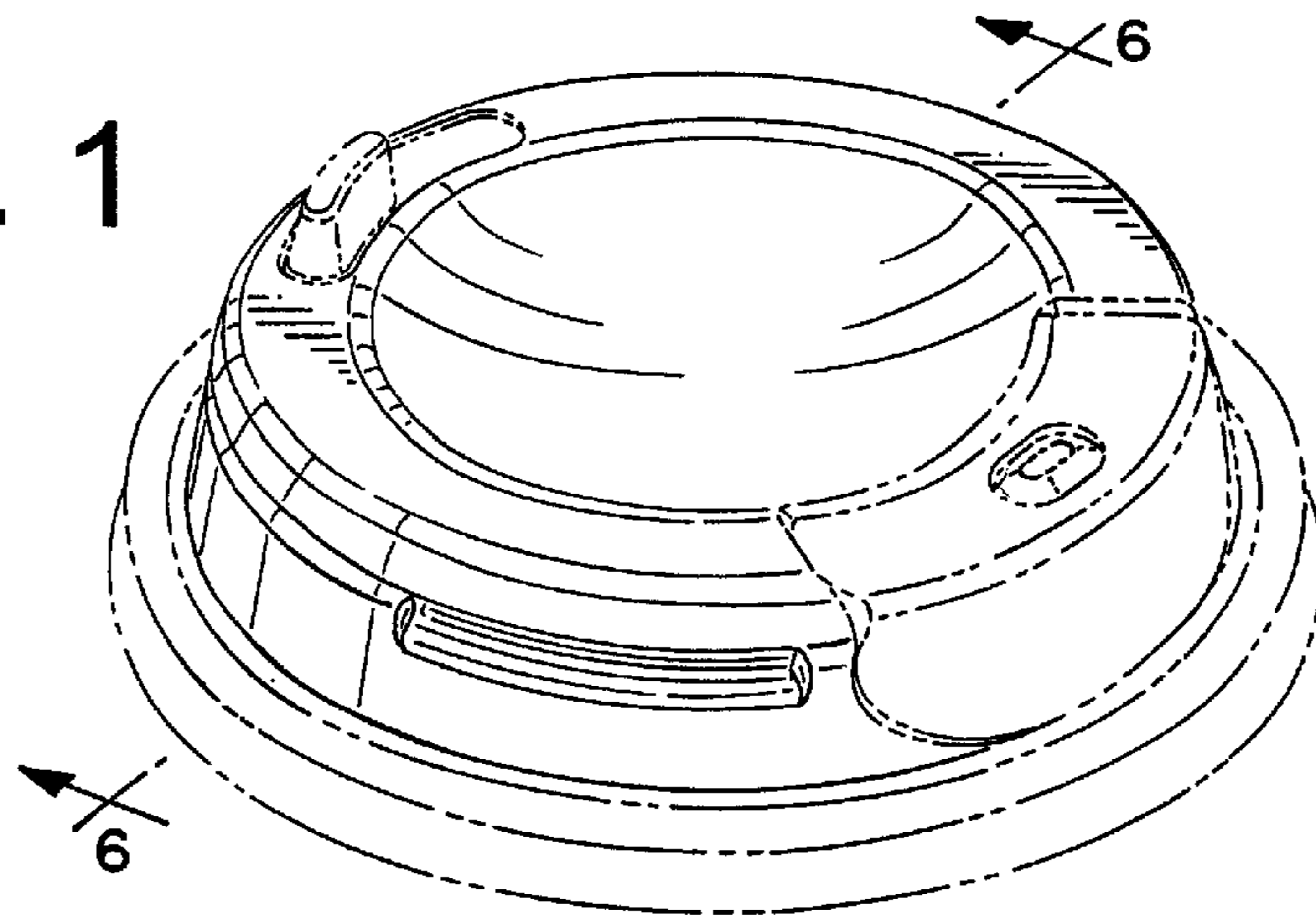


FIG. 2

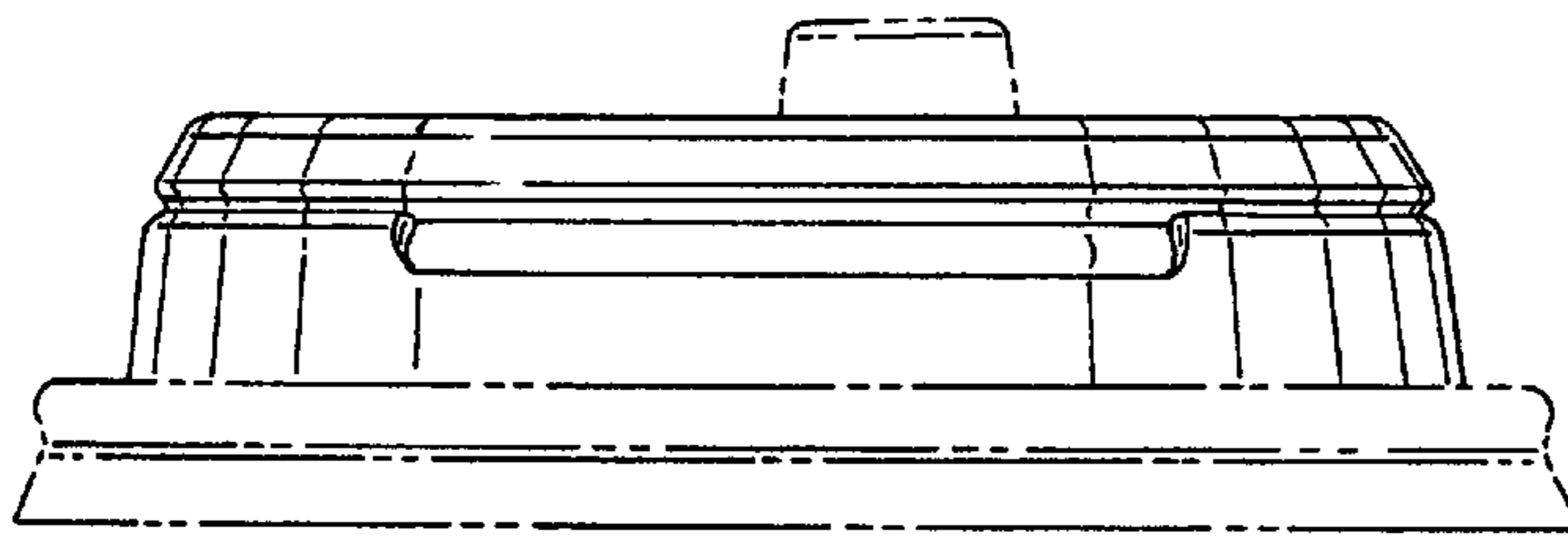


FIG. 3

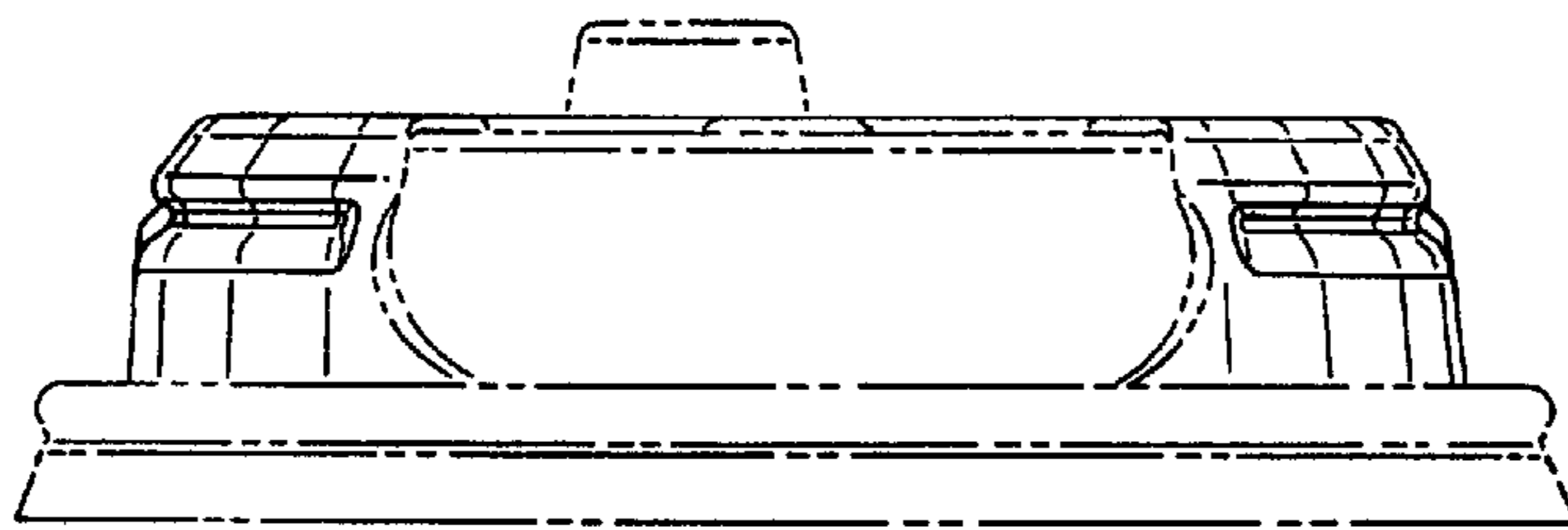


FIG. 4

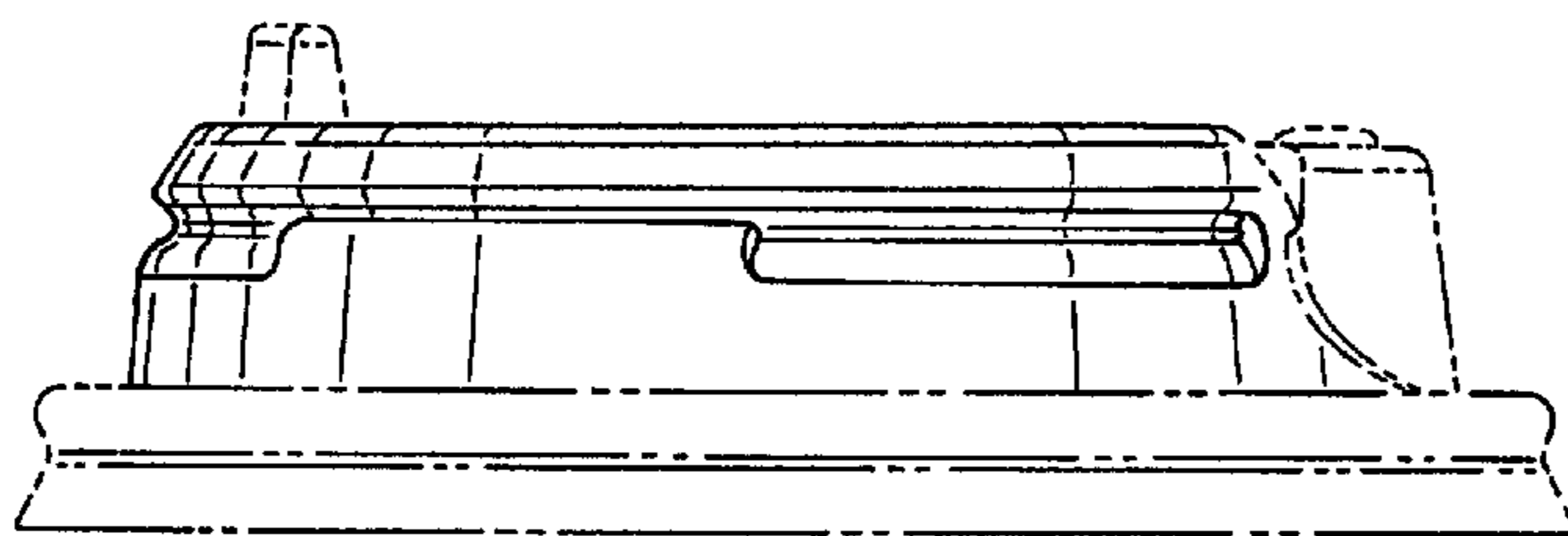


FIG. 5

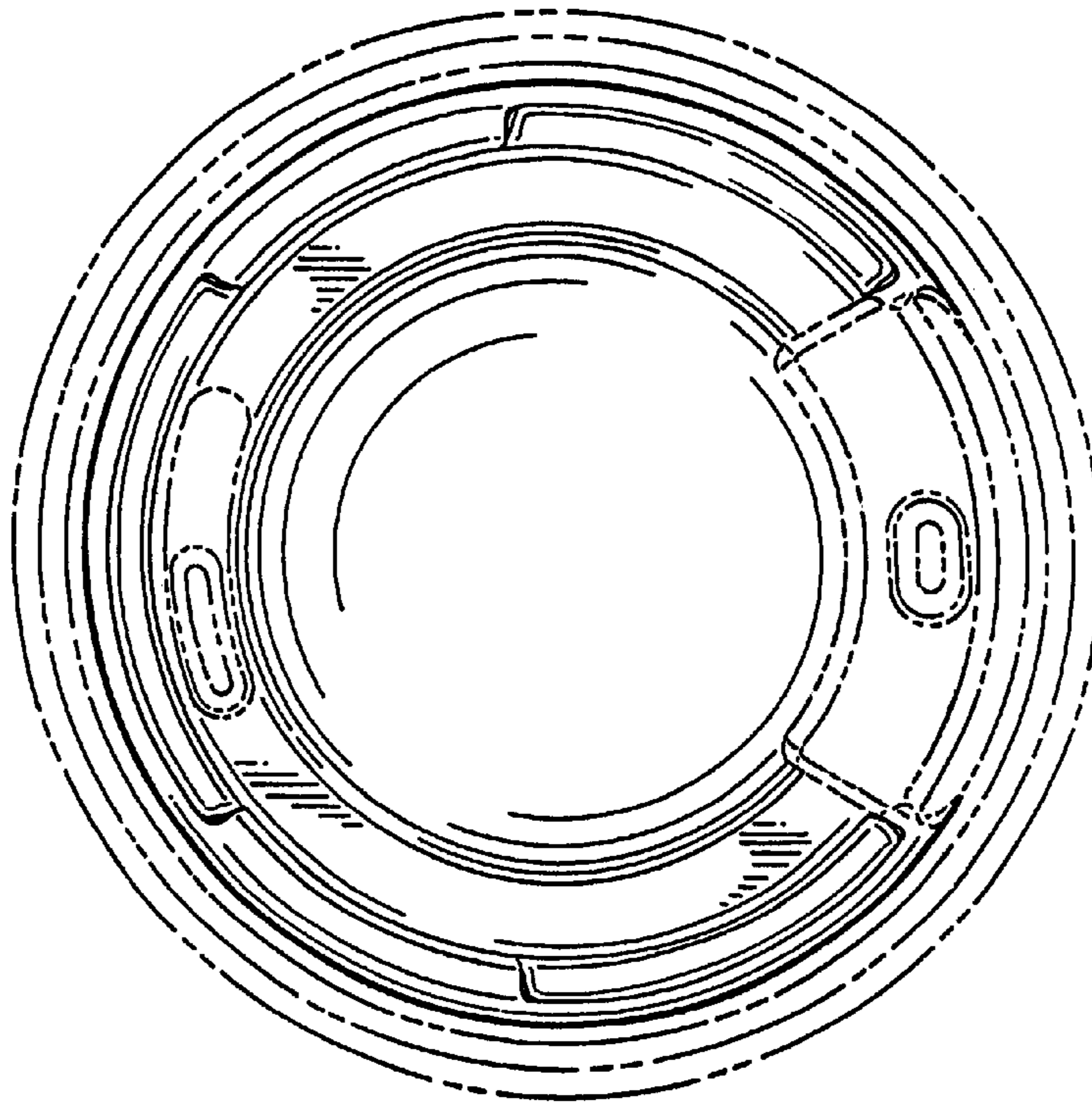


FIG. 6

