



US00D477216S

(12) **United States Design Patent**
Gronwall

(10) **Patent No.:** **US D477,216 S**

(45) **Date of Patent:** **** Jul. 15, 2003**

(54) **STICK PACKAGE**

(75) Inventor: **Hans Gronwall**, Nyhamnslage (SE)

(73) Assignee: **Jagotec AG**, MuttENZ (CH)

(**) Term: **14 Years**

(21) Appl. No.: **29/147,294**

(22) Filed: **Aug. 28, 2001**

(30) **Foreign Application Priority Data**

Mar. 2, 2001 (SE) 01-0390

(51) **LOC (7) Cl.** **09-03**

(52) **U.S. Cl.** **D9/338**

(58) **Field of Search** D9/337, 338, 339,
D9/499, 430; D19/66; D28/4, 5, 6, 7, 73,
76, 77, 78, 82, 85, 88; 206/235, 385, 823

(56) **References Cited**

U.S. PATENT DOCUMENTS

4,473,582 A * 9/1984 Greene 424/305
D317,664 S * 6/1991 Bakic D28/85
5,257,696 A * 11/1993 Greene 206/385
5,316,398 A * 5/1994 Chandaria et al. 401/18
D421,156 S * 2/2000 Coates et al. D28/76
D435,441 S * 12/2000 Yoon D9/339
D454,664 S * 3/2002 Look D28/77

2001/0014247 A1 * 8/2001 Shochat 401/87

* cited by examiner

Primary Examiner—Nanda Bondade

Assistant Examiner—Daniel Bui

(74) *Attorney, Agent, or Firm*—Birch, Stewart, Kolasch & Birch, LLP

(57) **CLAIM**

The ornamental design for a stick package, as shown and described.

DESCRIPTION

FIG. 1 is a perspective view of a stick package showing my new design;

FIG. 2 is another perspective view thereof;

FIG. 3 is a front view thereof;

FIG. 4 is a left side view thereof;

FIG. 5 is a rear side view thereof;

FIG. 6 is a right side view thereof;

FIG. 7 is a top plan view thereof;

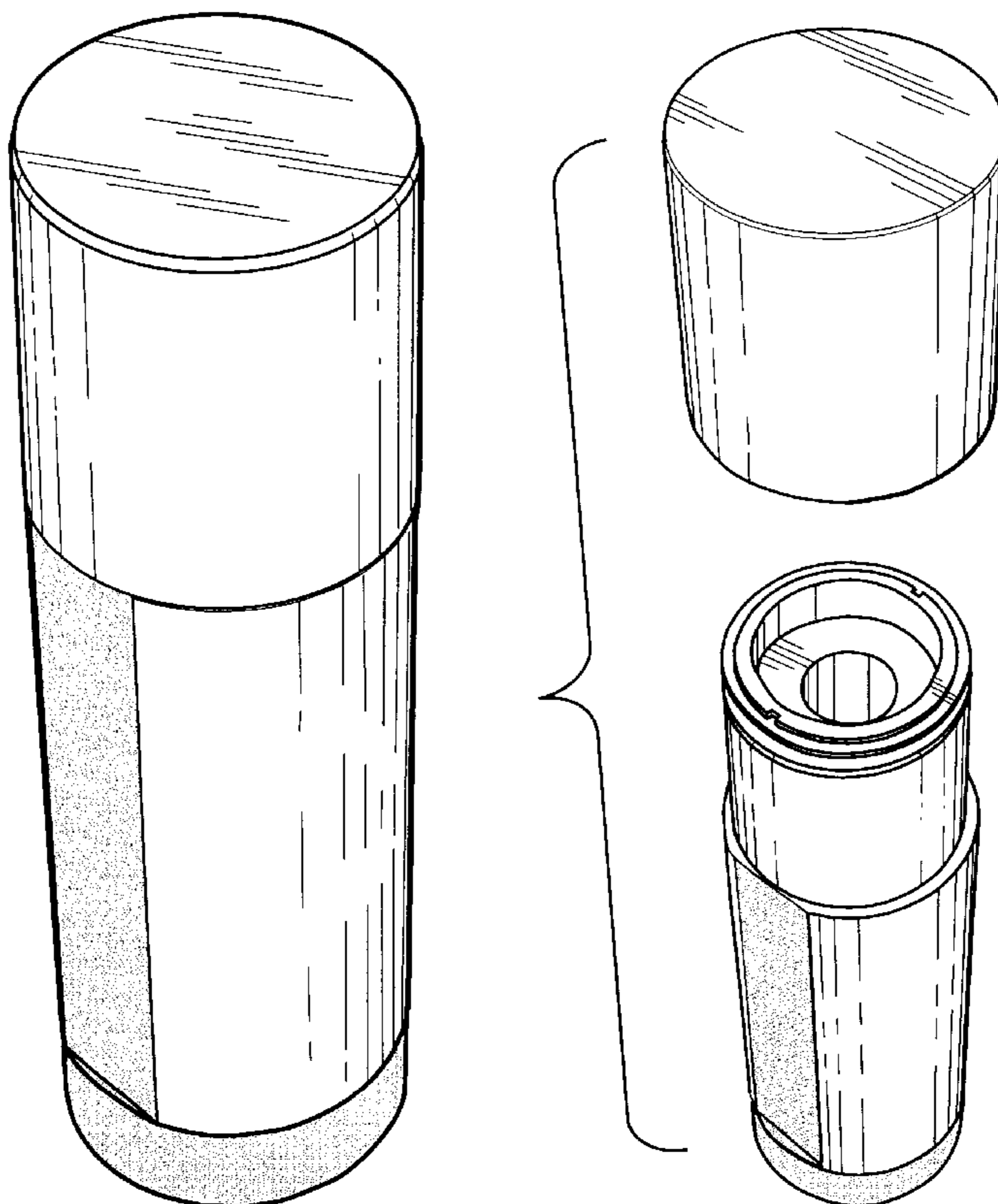
FIG. 8 is a bottom plan view thereof;

FIG. 9 is a perspective view of a stick package shown in open position with the stick holder in extended position;

FIG. 10 is a perspective view of a stick package shown in open position with the stick holder in retracted position; and,

FIG. 11 is another perspective view of a stick package shown in open position;

1 Claim, 4 Drawing Sheets



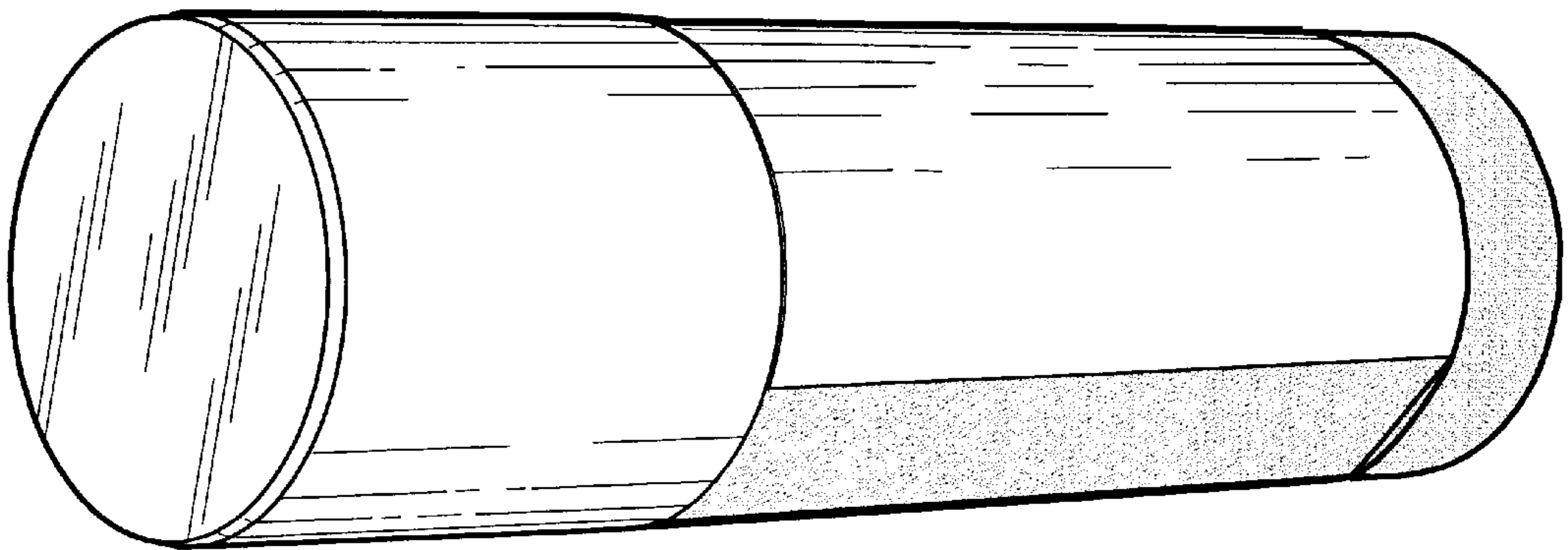


Fig. 1

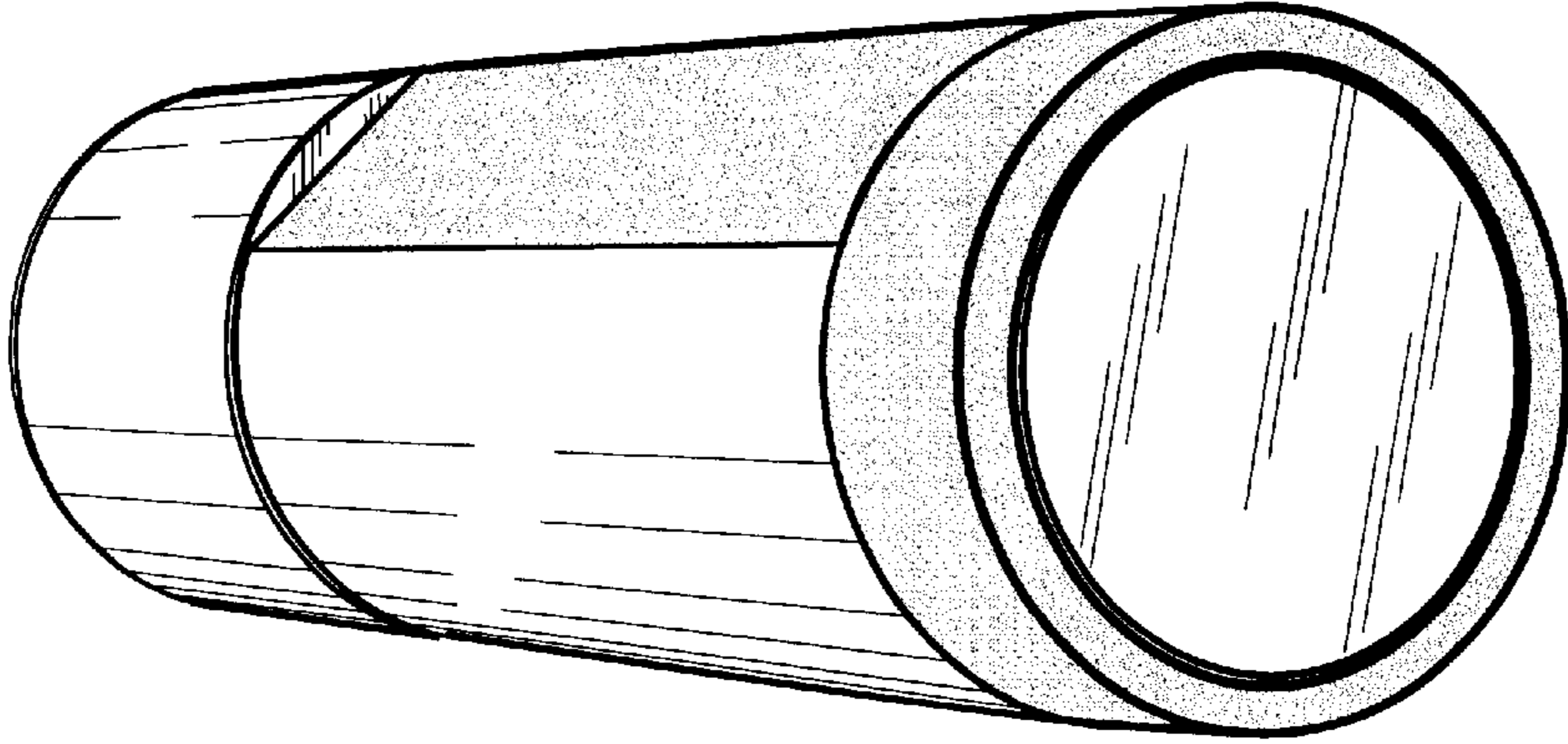


Fig. 2

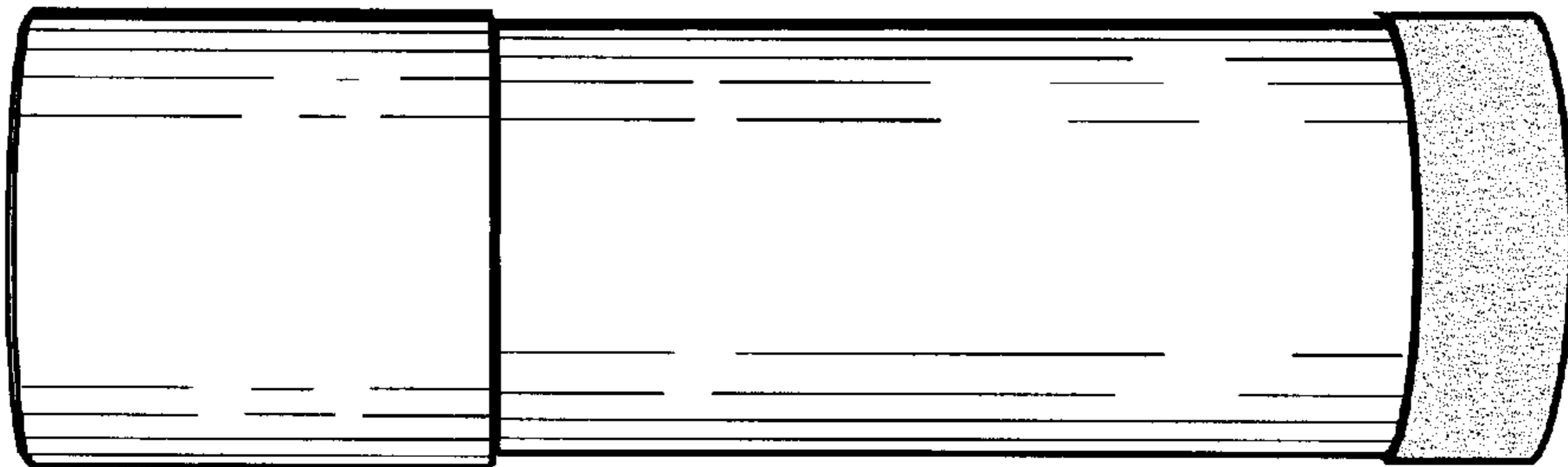


Fig. 3

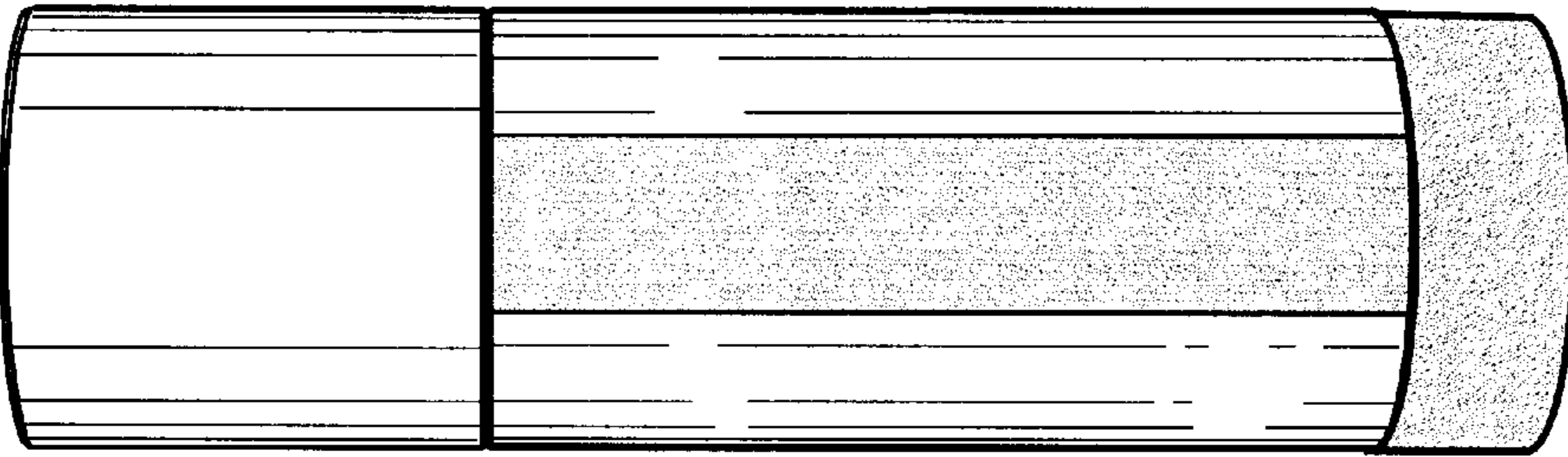


Fig. 4

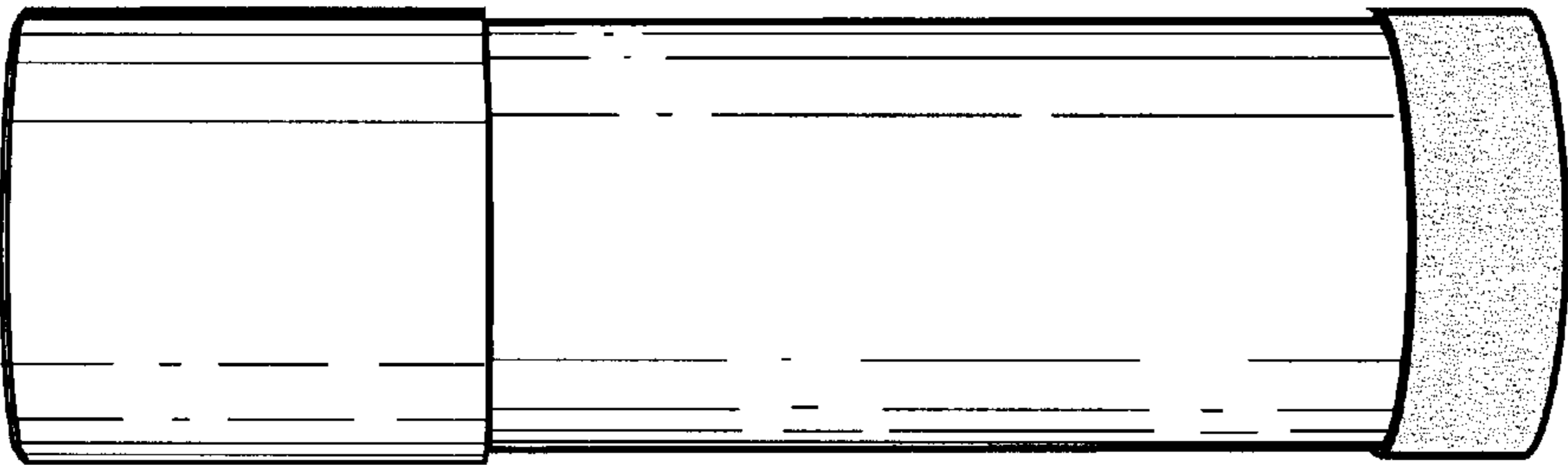


Fig. 5

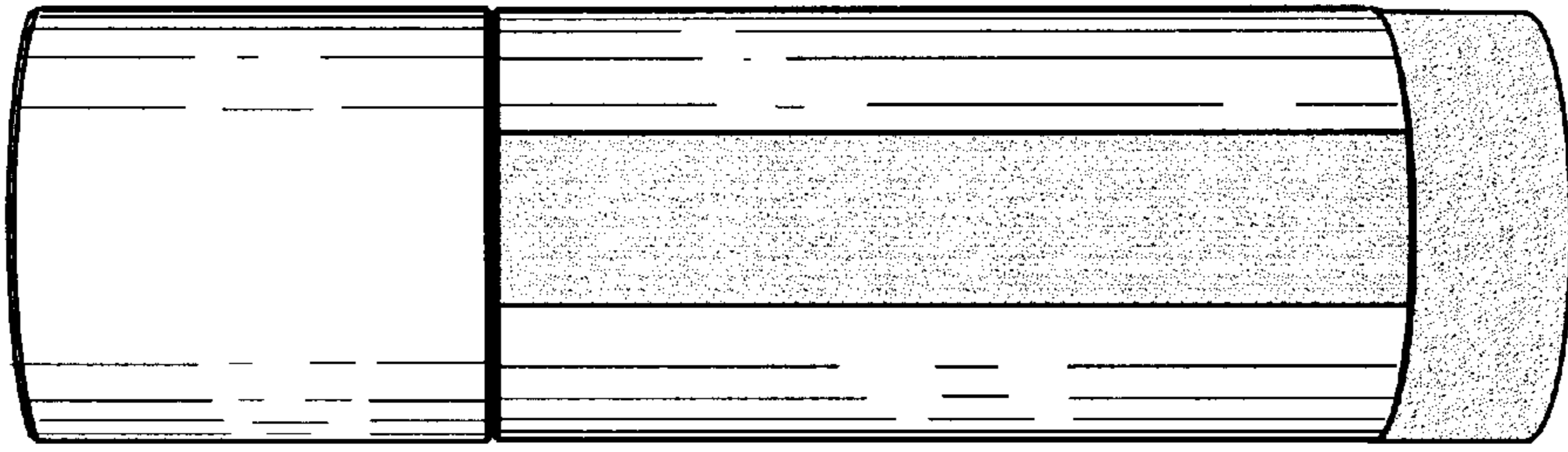


Fig. 6

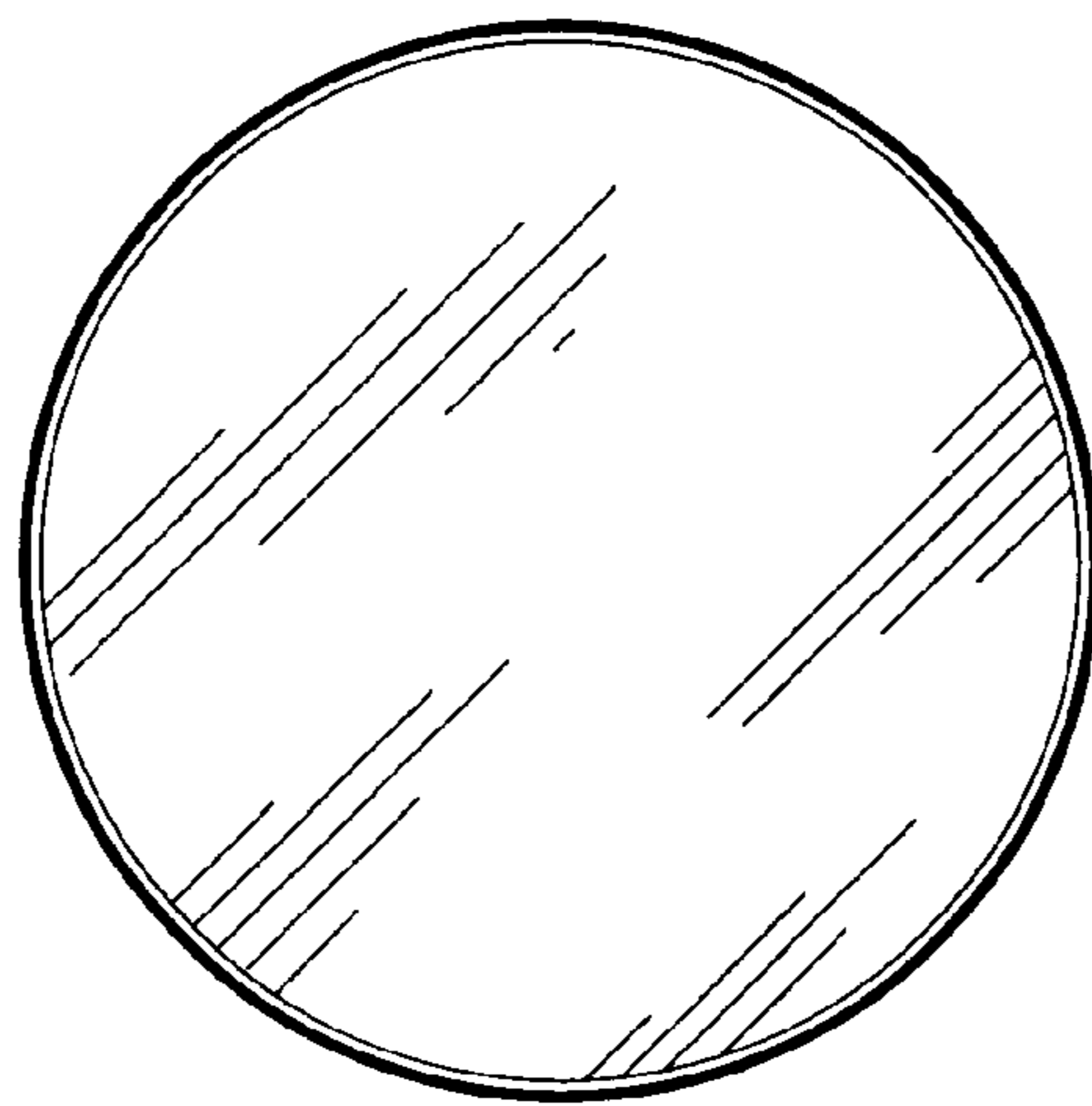


Fig. 7

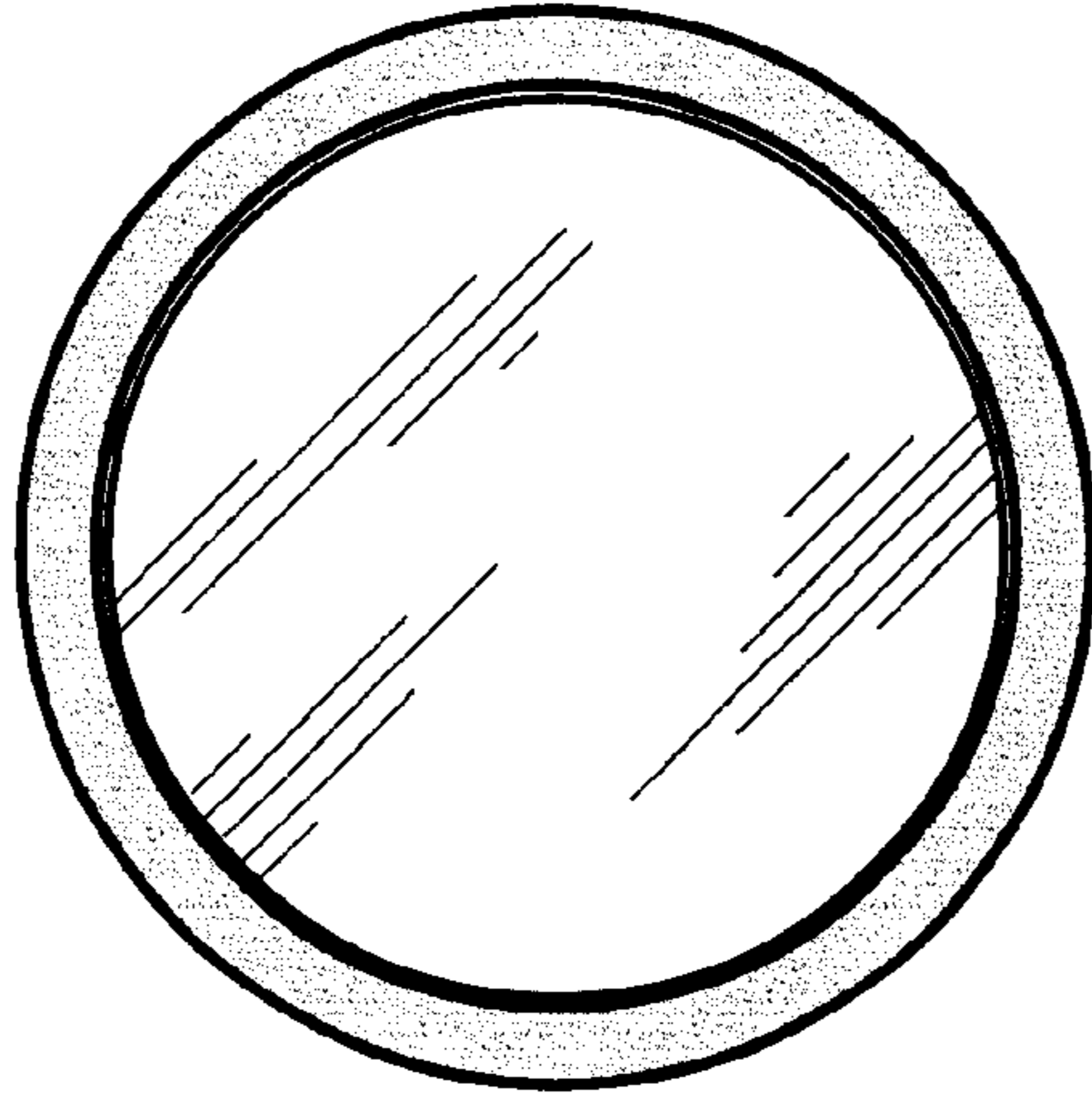


Fig. 8

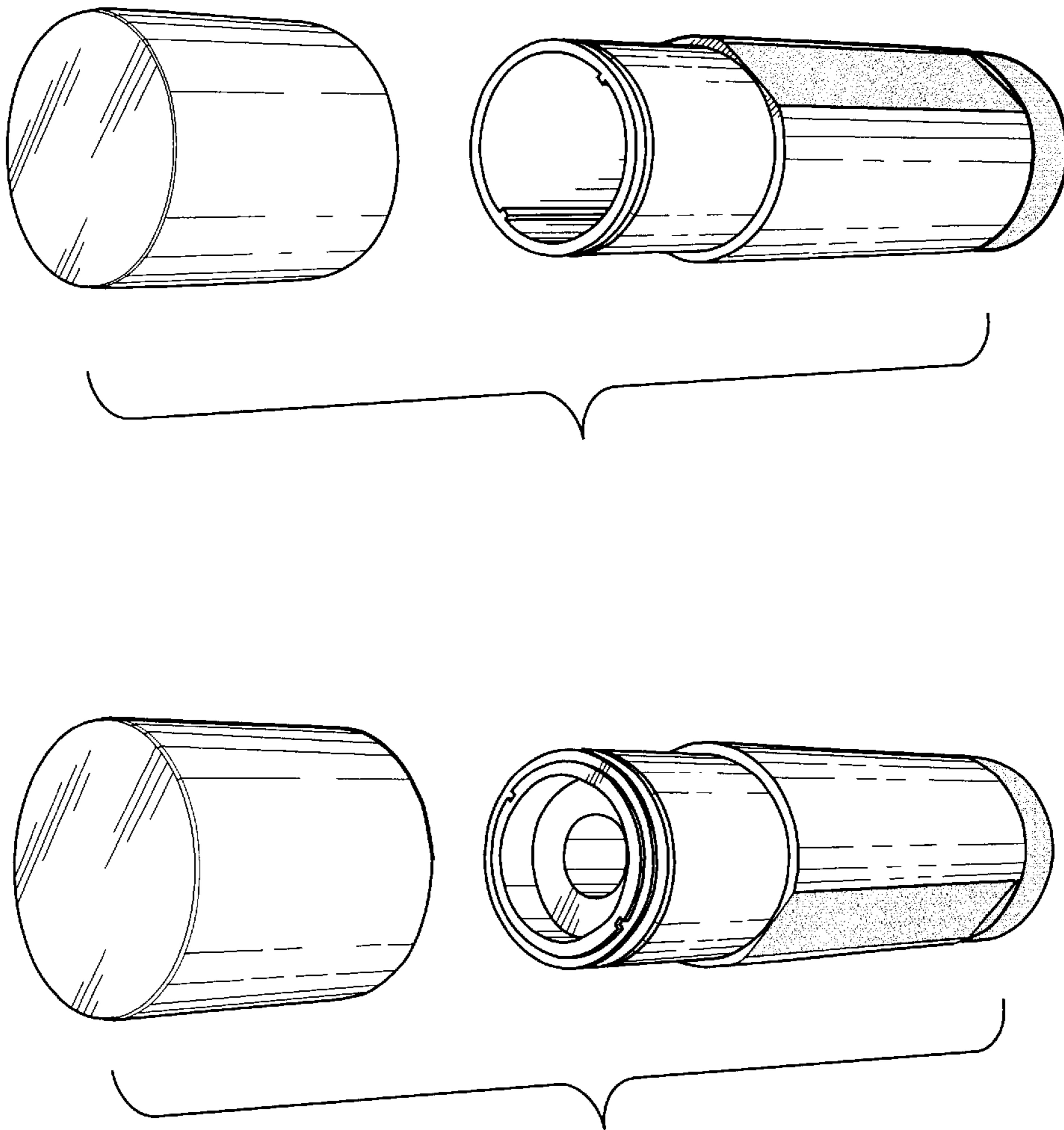


Fig. 9

Fig. 10

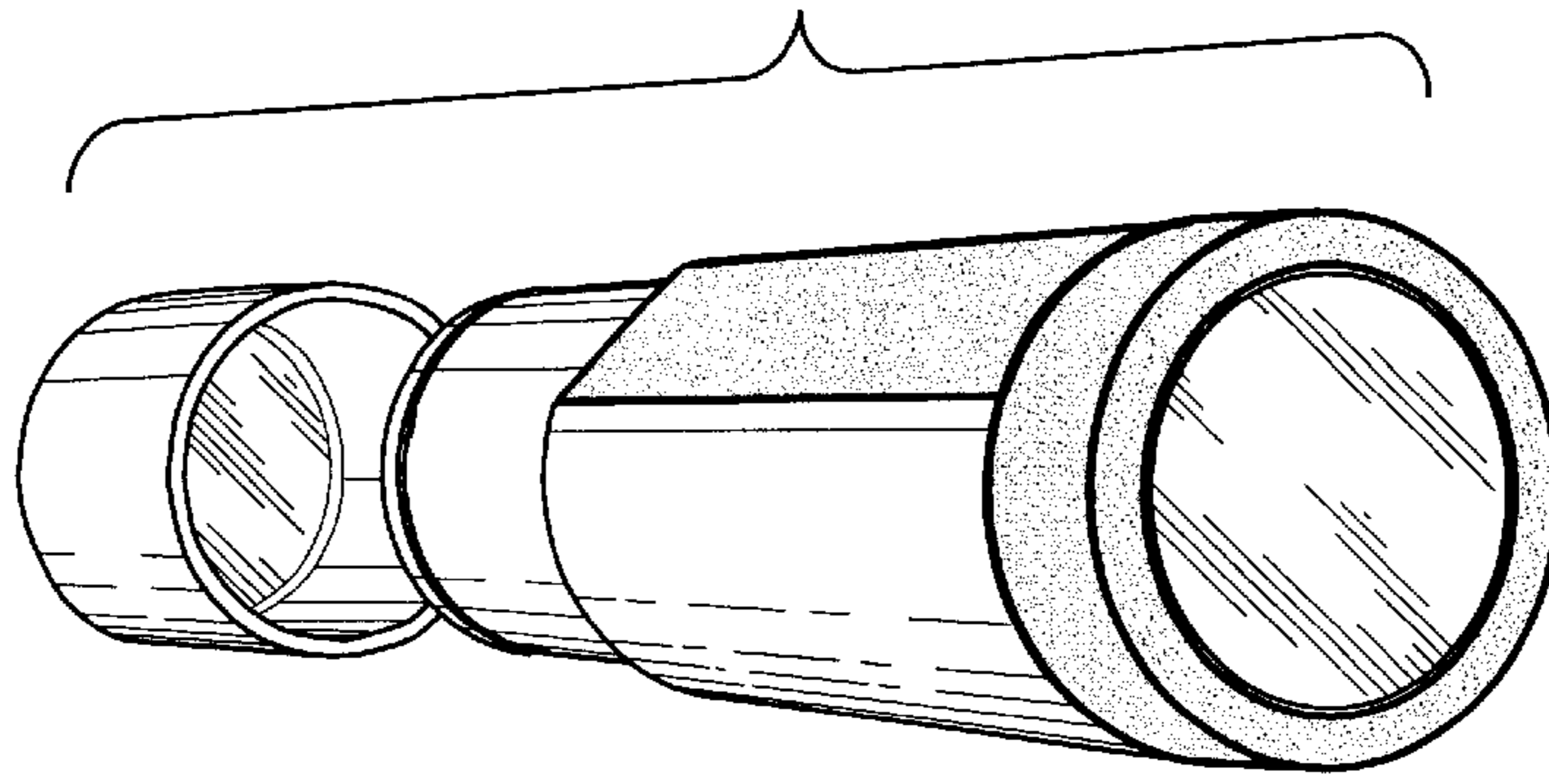


Fig. 11