



US00D477214S

(12) **United States Design Patent**
Vito

(10) **Patent No.:** **US D477,214 S**

(45) **Date of Patent:** **** Jul. 15, 2003**

(54) **LINK FOR A SECURITY CHAIN**

(76) Inventor: **Robert A. Vito**, 1434 Sugartown Rd.,
Berwyn, PA (US) 19312

(**) Term: **14 Years**

(21) Appl. No.: **29/170,615**

(22) Filed: **Nov. 8, 2002**

Related U.S. Application Data

(62) Division of application No. 10/288,078, filed on Nov. 5,
2002.

(51) **LOC (7) Cl.** **08-99**

(52) **U.S. Cl.** **D8/499**

(58) **Field of Search** D8/499, 17; D11/13,
D11/79-80, 93; 70/14, 18, 58; 59/78, 80,
83-85, 90, 93; 280/457, 480, 507; 474/209,
218-220, 226-228, 230-236

(56) **References Cited**

U.S. PATENT DOCUMENTS

- 105,004 A 7/1870 Short
- D5,544 S 2/1872 Draper
- 145,642 A 12/1873 Frontier et al.
- 189,797 A 4/1877 Seery
- 193,543 A 7/1877 Nortemann
- D11,004 S 1/1879 Lederer
- 214,869 A 4/1879 Barrows
- D11,790 S 5/1880 Seery
- 230,531 A 7/1880 Davidson
- 324,281 A 8/1885 Veit
- 904,846 A * 11/1908 Costello 59/83
- 1,114,289 A 10/1914 Rittenhouse
- D61,359 S 8/1922 Benjamin
- 1,810,978 A 6/1931 Moore
- D98,621 S 2/1936 Ritter
- 2,192,946 A 3/1940 Towner
- 2,242,783 A 5/1941 Grau
- 3,028,725 A 4/1962 Stevens
- 3,461,666 A 8/1969 Burstall

- 3,545,200 A 12/1970 Fagan
- RE28,746 E * 3/1976 Bruce 59/78
- 3,996,737 A 12/1976 Burstall
- 4,068,467 A 1/1978 Schreyer et al.
- D254,126 S 2/1980 Beniya
- 4,497,169 A 2/1985 Millington
- D282,055 S 1/1986 Brinkers
- D308,937 S * 7/1990 Rybak D8/499
- D315,936 S * 4/1991 Wilson et al. D8/499 X
- D343,349 S * 1/1994 Byrd, Jr. D8/399 X
- 5,308,292 A * 5/1994 Mistry 59/84 X
- 5,331,802 A * 7/1994 Varley 59/85
- D361,261 S * 8/1995 Amburgey et al. D8/499
- 5,709,075 A * 1/1998 Wu 59/78 X
- 5,732,967 A 3/1998 Behling
- 6,170,248 B1 1/2001 Ianello et al.
- 6,243,929 B1 * 6/2001 Curwood 59/85 X
- 6,256,974 B1 * 7/2001 Shanks, Sr. 59/85
- 6,263,658 B1 * 7/2001 Rosenwasser et al. 59/80

* cited by examiner

Primary Examiner—Brian N. Vinson

(74) *Attorney, Agent, or Firm*—Volpe and Koenig, P.C.

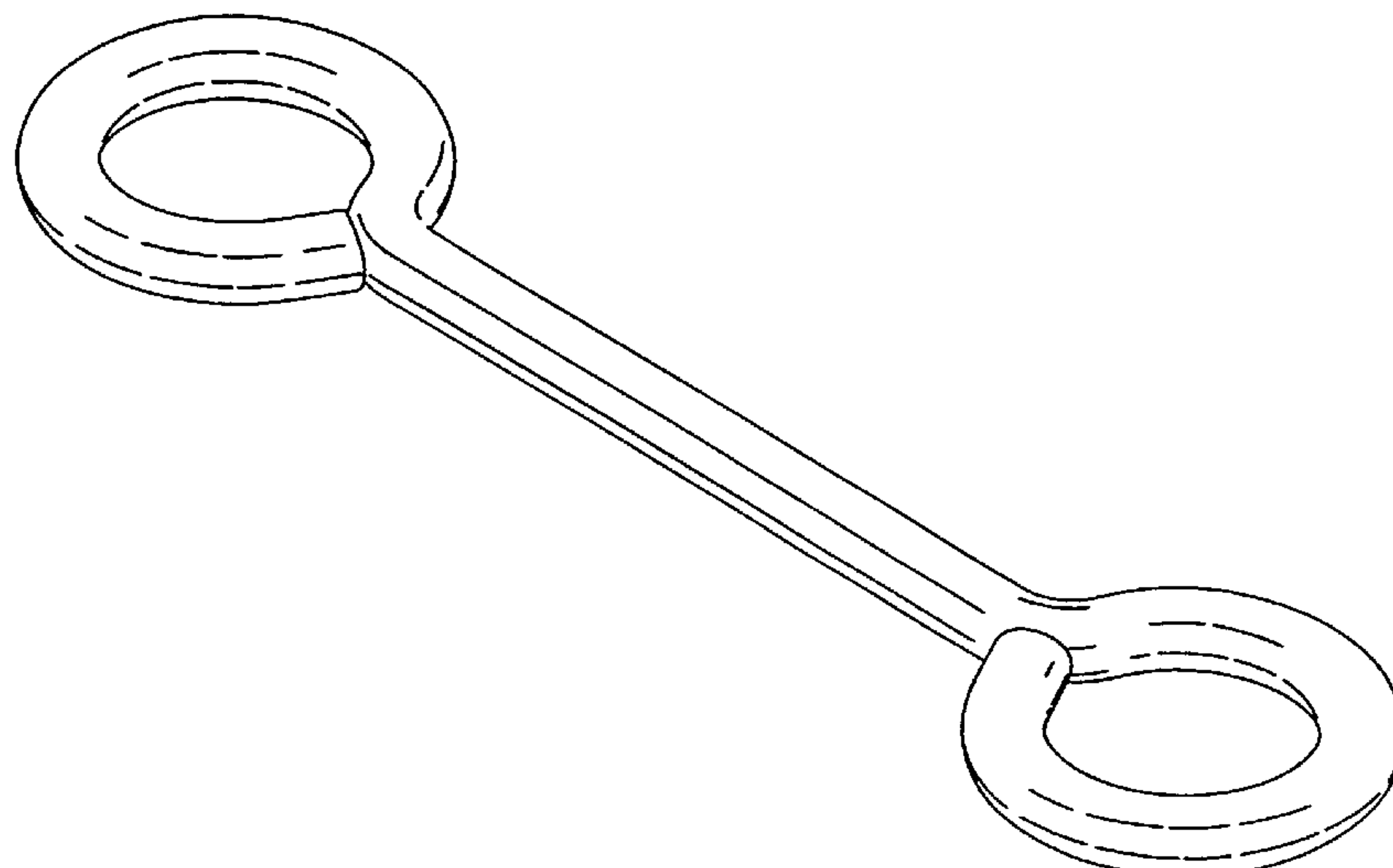
(57) **CLAIM**

I claim the ornamental design for a link for a security chain,
as shown and described.

DESCRIPTION

FIG. 1 is a perspective view of a link for a security chain according to a preferred embodiment of my new design; FIG. 2 is a front elevational view of the link for a security chain of FIG. 1, the rear elevational view being the same; FIG. 3 is a top plan view of the link for a security chain of FIG. 1; FIG. 4 is a right side elevational view of the link for a security chain of FIG. 1; FIG. 5 is a bottom plan view of the link for a security chain of FIG. 1; and, FIG. 6 is a left side elevational view of the link for a security chain of FIG. 1.

1 Claim, 1 Drawing Sheet



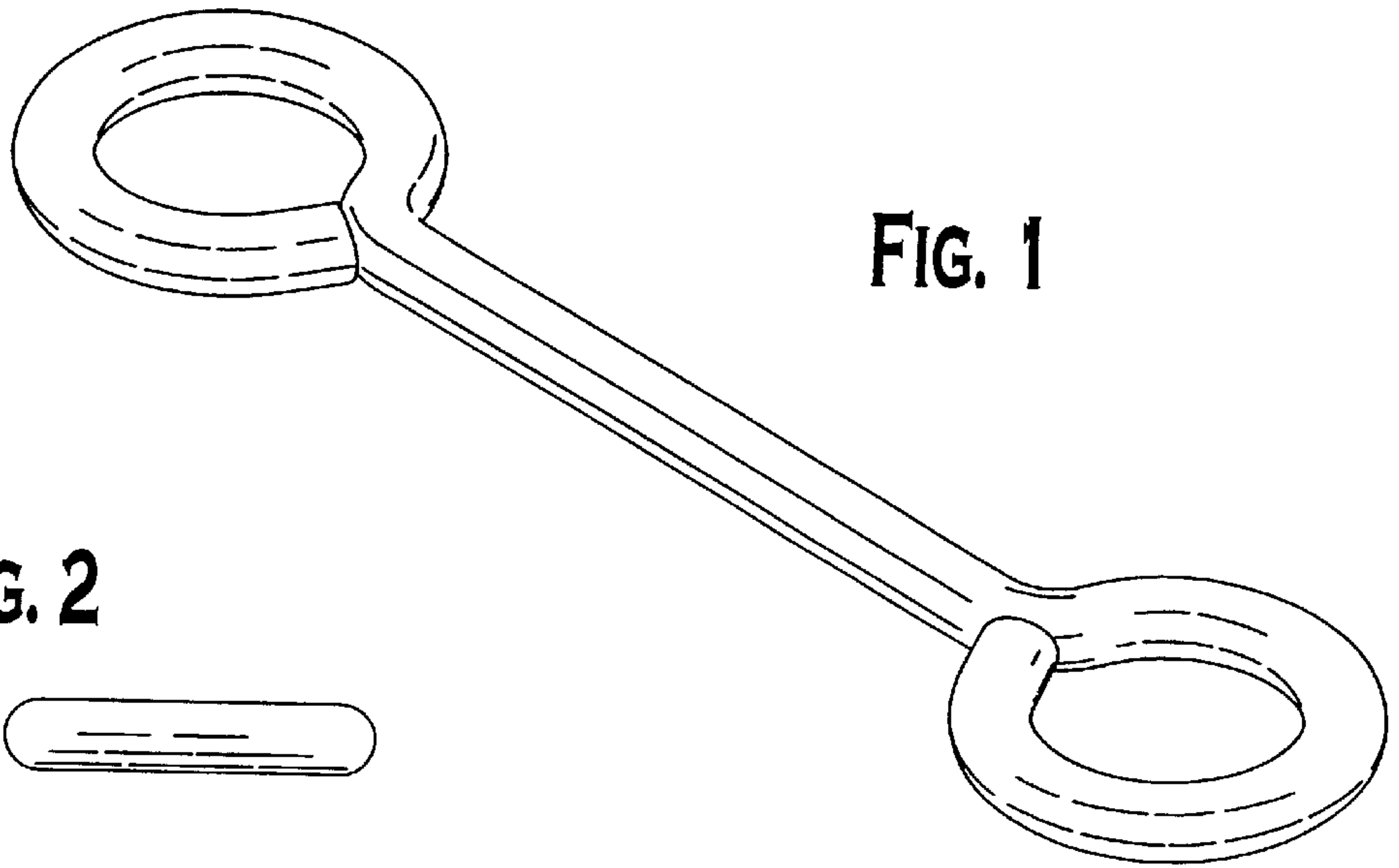


FIG. 1

FIG. 2

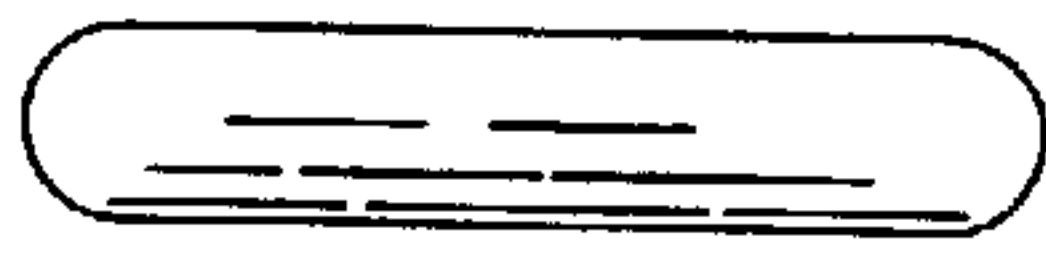


FIG. 3

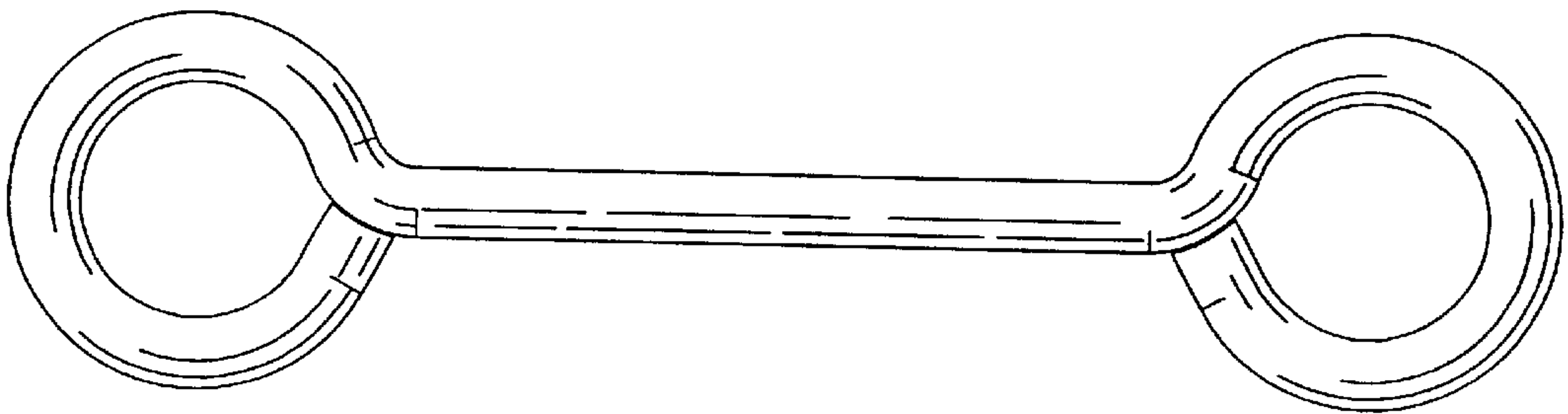


FIG. 4

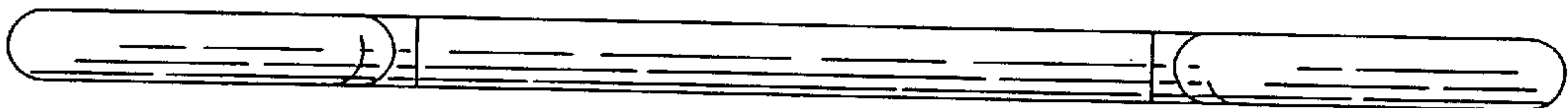


FIG. 5

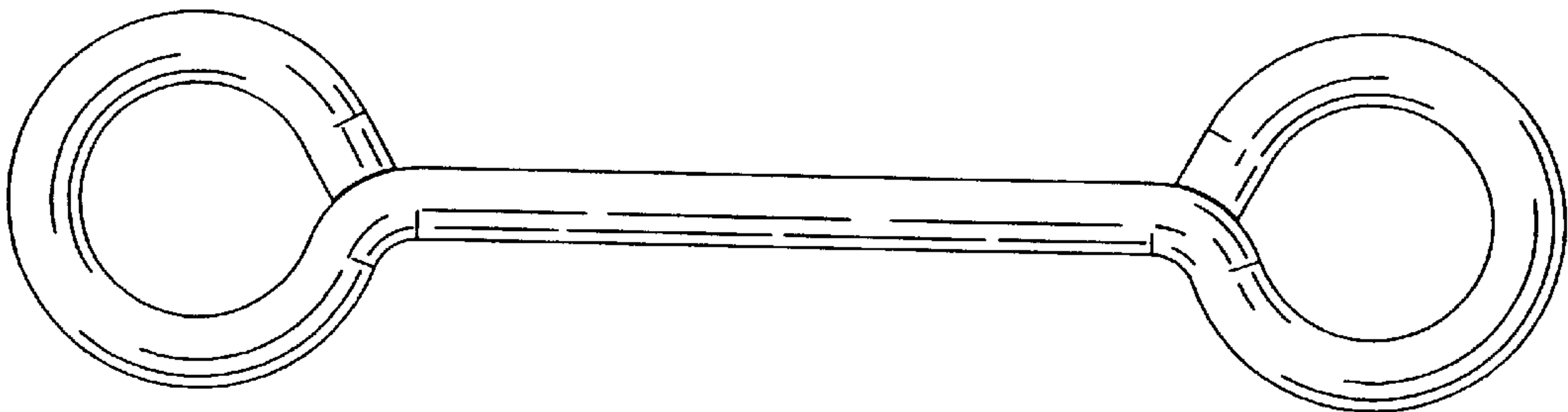


FIG. 6

