



US00D477212S

(12) **United States Design Patent**
Ellery

(10) **Patent No.:** **US D477,212 S**

(45) **Date of Patent:** **** Jul. 15, 2003**

(54) **PIPE HANGER**

(75) Inventor: **Michael K. Ellery**, W. Warwick, RI (US)

(73) Assignee: **Warwick Hanger Co.**, West Warwick, RI (US)

(**) Term: **14 Years**

(21) Appl. No.: **29/145,227**

(22) Filed: **Jul. 18, 2001**

(51) **LOC (7) Cl.** **08-05**

(52) **U.S. Cl.** **D8/380; D8/396**

(58) **Field of Search** D8/380, 373, 396, D8/394; 248/59, 62, 73, 222.11, 68.1, 317, 60, 74.1-74.4, 65, 49; 211/192; 24/16 PB, 30.5, 17, 16 R

(56) **References Cited**

U.S. PATENT DOCUMENTS

1,362,244	A	12/1920	Farley	
2,339,992	A	1/1944	Hohmeister	
3,273,837	A	9/1966	Willert et al.	
D382,195	S	8/1997	Ekern	
D382,431	S	* 8/1997	Parra D6/546
D383,379	S	* 9/1997	Keegan D8/394
D390,775	S	2/1998	DePietro	

D400,686	S	* 11/1998	Hamerman D2/610
D433,927	S	11/2000	Ellery	
6,192,554	B1	* 2/2001	Dumcum 24/16 PB
6,202,962	B1	* 3/2001	Snyder 248/60

* cited by examiner

Primary Examiner—Pamela Burgess
(74) *Attorney, Agent, or Firm*—Barlow, Josephs & Holmes, Ltd.

(57) **CLAIM**

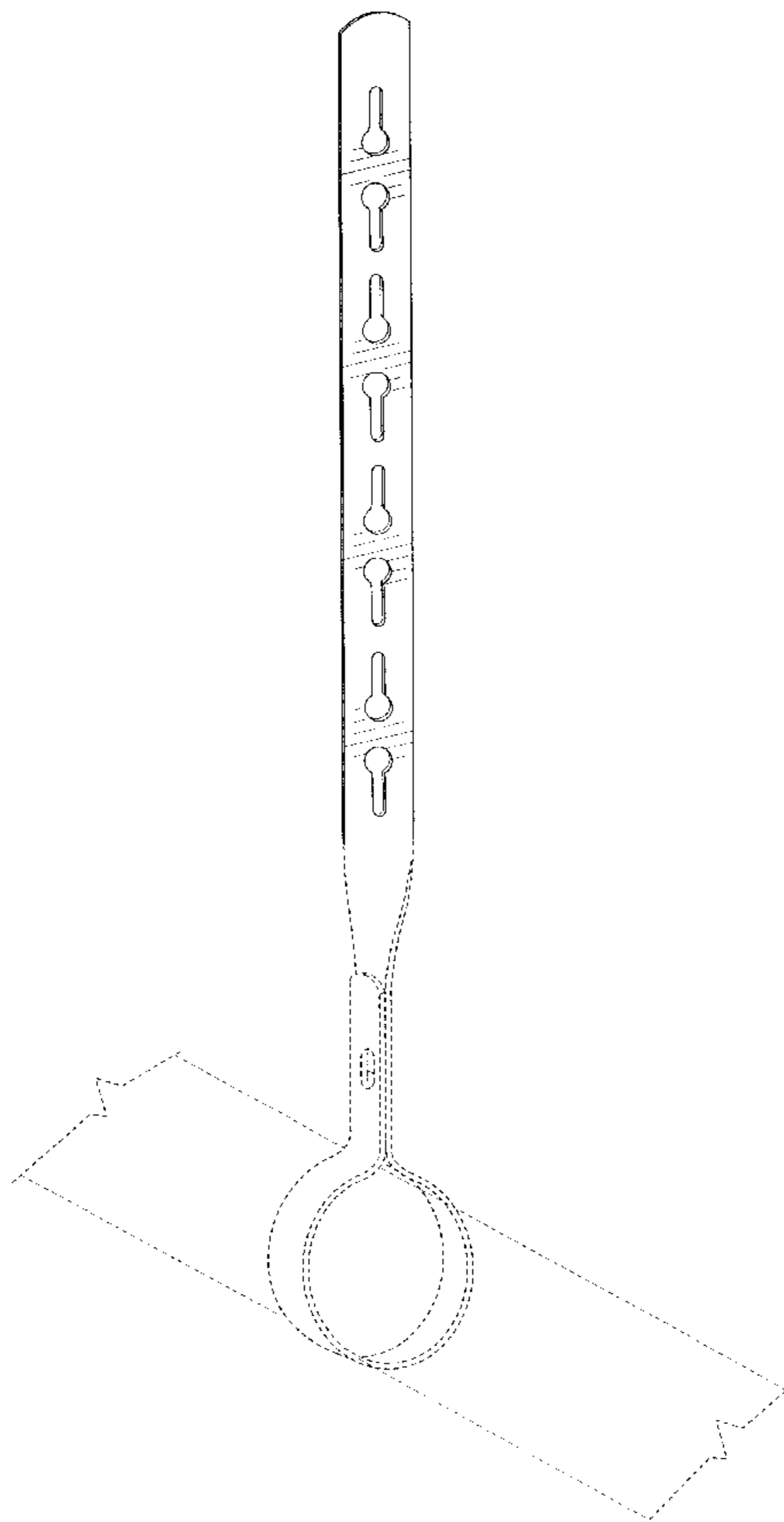
The ornamental design for a pipe hanger, as shown and described.

DESCRIPTION

FIG. 1 is a perspective view of a pipe hanger showing my new design;
FIG. 2 is a front elevational view thereof;
FIG. 3 is a top plan view thereof;
FIG. 4 is a right side elevational view thereof;
FIG. 5 is a bottom plan view thereof;
FIG. 6 is a rear elevational view thereof; and,
FIG. 7 is a left side elevational view thereof.

The broken lines immediately adjacent the shaded areas represent the bounds of the claim and all other broken lines are for illustrative purposes only. None of the broken lines form a part of the claimed design.

1 Claim, 4 Drawing Sheets



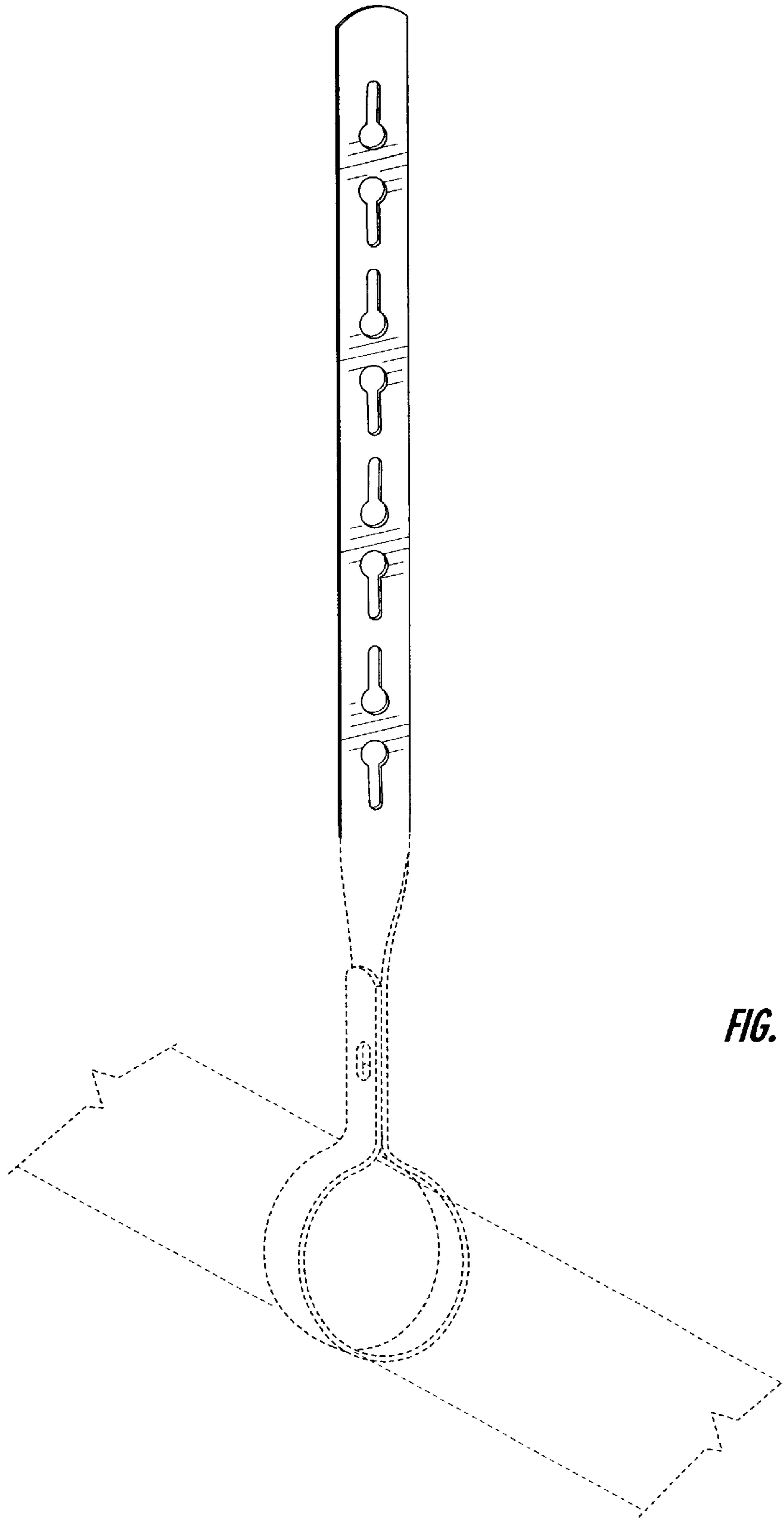


FIG. 1.

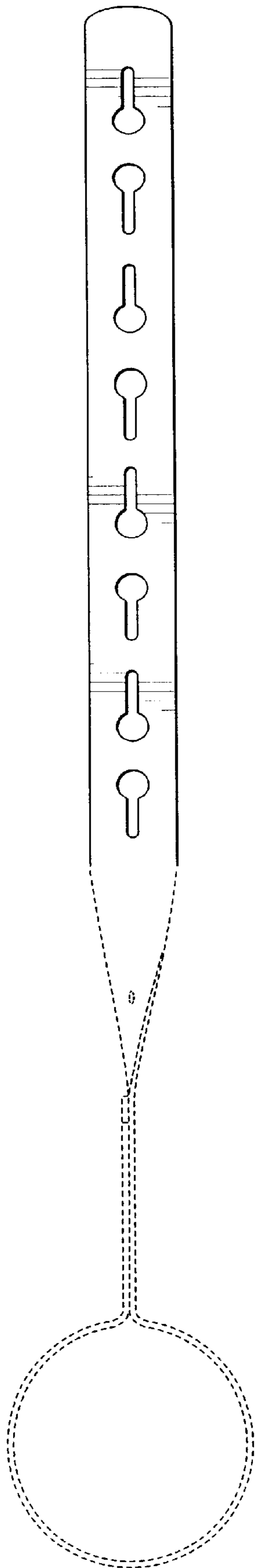


FIG. 2.

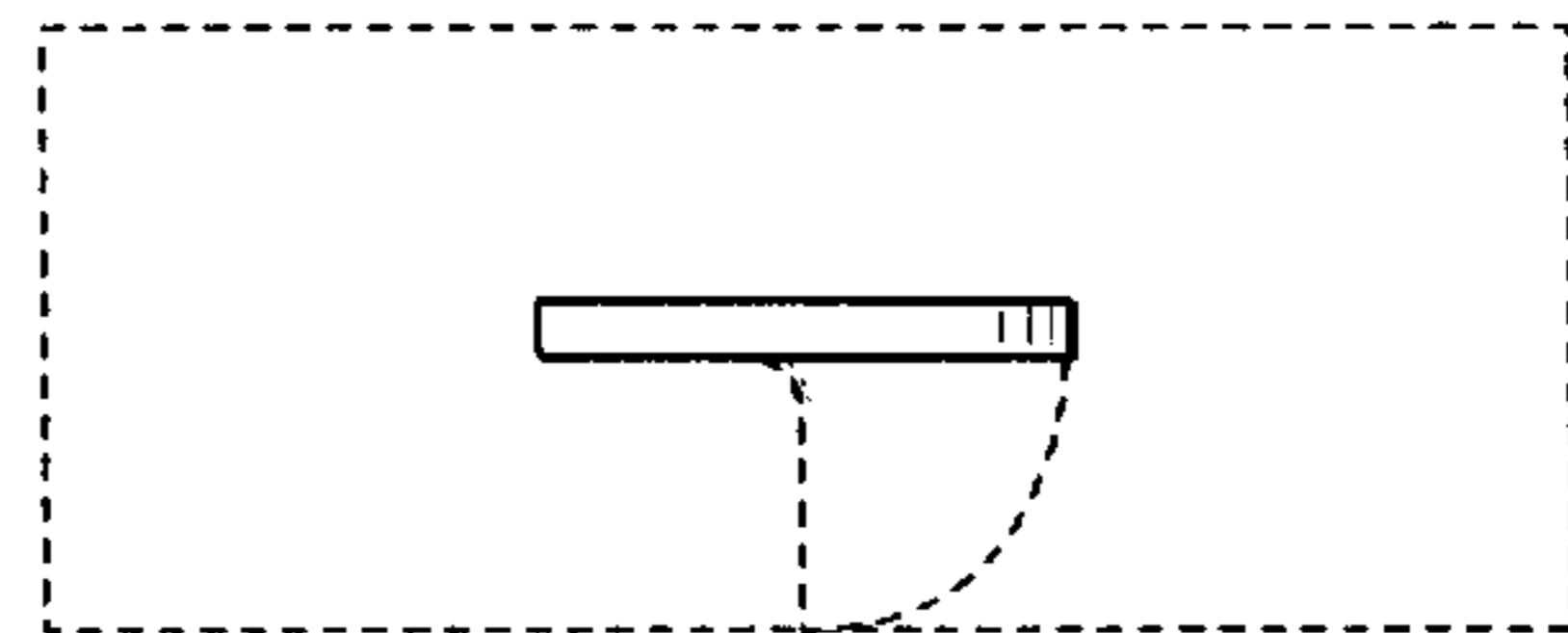


FIG. 3.

FIG. 4.

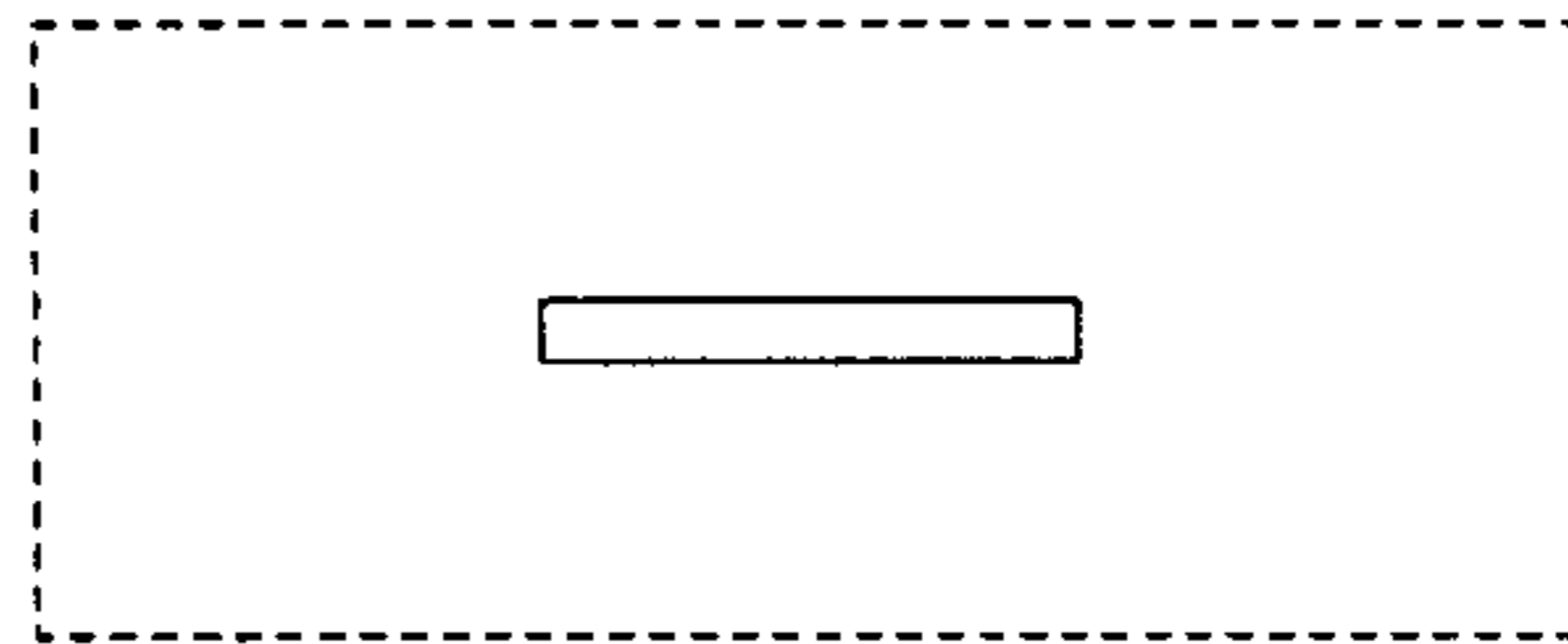
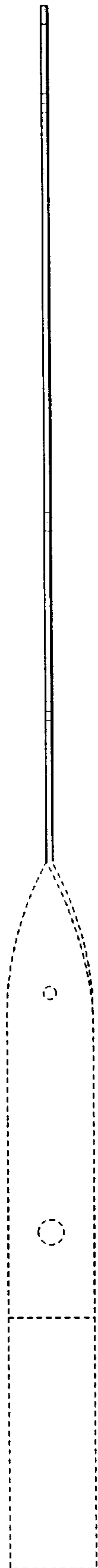


FIG. 5.

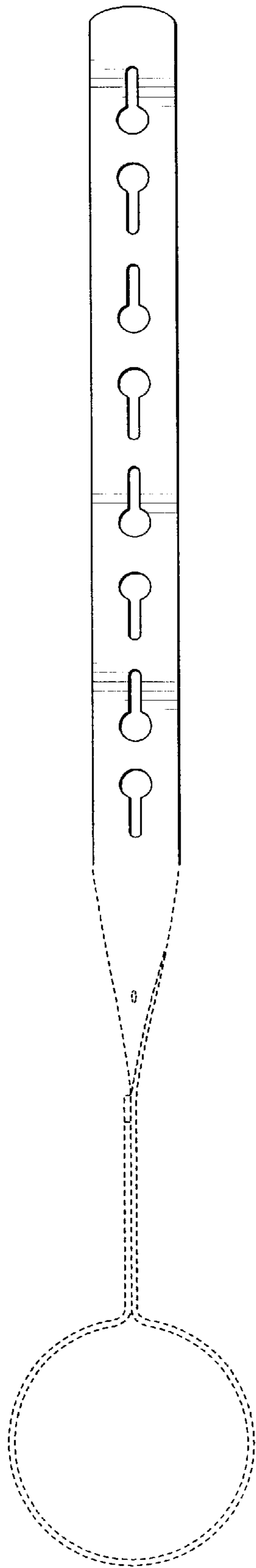


FIG. 6.

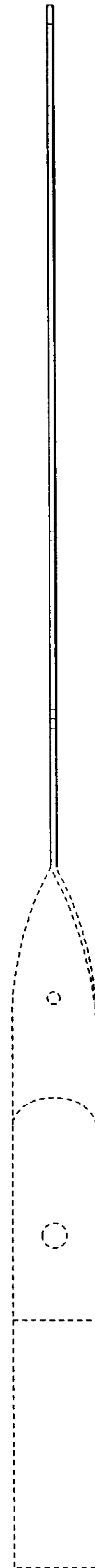


FIG. 7.