



US00D477210S

(12) **United States Design Patent**
Callahan et al.

(10) **Patent No.:** **US D477,210 S**

(45) **Date of Patent:** **** Jul. 15, 2003**

(54) **JOIST REINFORCING BRACKET**

(76) Inventors: **Robert M. Callahan**, 225 Apple Rd.,
Boones Mill, VA (US) 24065; **Ronald**
B. Shiflett, 683 Patti Rd., Rocky
Mount, VA (US) 24151

(**) Term: **14 Years**

(21) Appl. No.: **29/169,108**

(22) Filed: **Oct. 16, 2002**

(51) **LOC (7) Cl.** **08-08**

(52) **U.S. Cl.** **D8/349**

(58) **Field of Search** D8/349, 354, 356,
D8/363, 366, 373, 380, 394; D12/223;
D25/102, 199, 134, 164; 52/220.1, 220.8,
370, 634, 696, 712, 714; 248/200, 300,
57, 65

(56) **References Cited**

U.S. PATENT DOCUMENTS

- 1,791,420 A * 2/1931 Mayo 248/65
- 2,965,342 A * 12/1960 Goldstone 248/57
- 5,230,190 A * 7/1993 Schuette 248/57
- 5,519,977 A 5/1996 Callahan et al.
- 5,546,716 A * 8/1996 Broxterman et al. 248/57

- 5,850,721 A * 12/1998 Martin 52/220.1
- D430,479 S * 9/2000 McDonald D8/354
- 6,170,218 B1 * 1/2001 Shahnazarian 52/713

* cited by examiner

Primary Examiner—Doris V. Coles

Assistant Examiner—Elizabeth A. Albert

(74) *Attorney, Agent, or Firm*—Stephen R. Greiner

(57) **CLAIM**

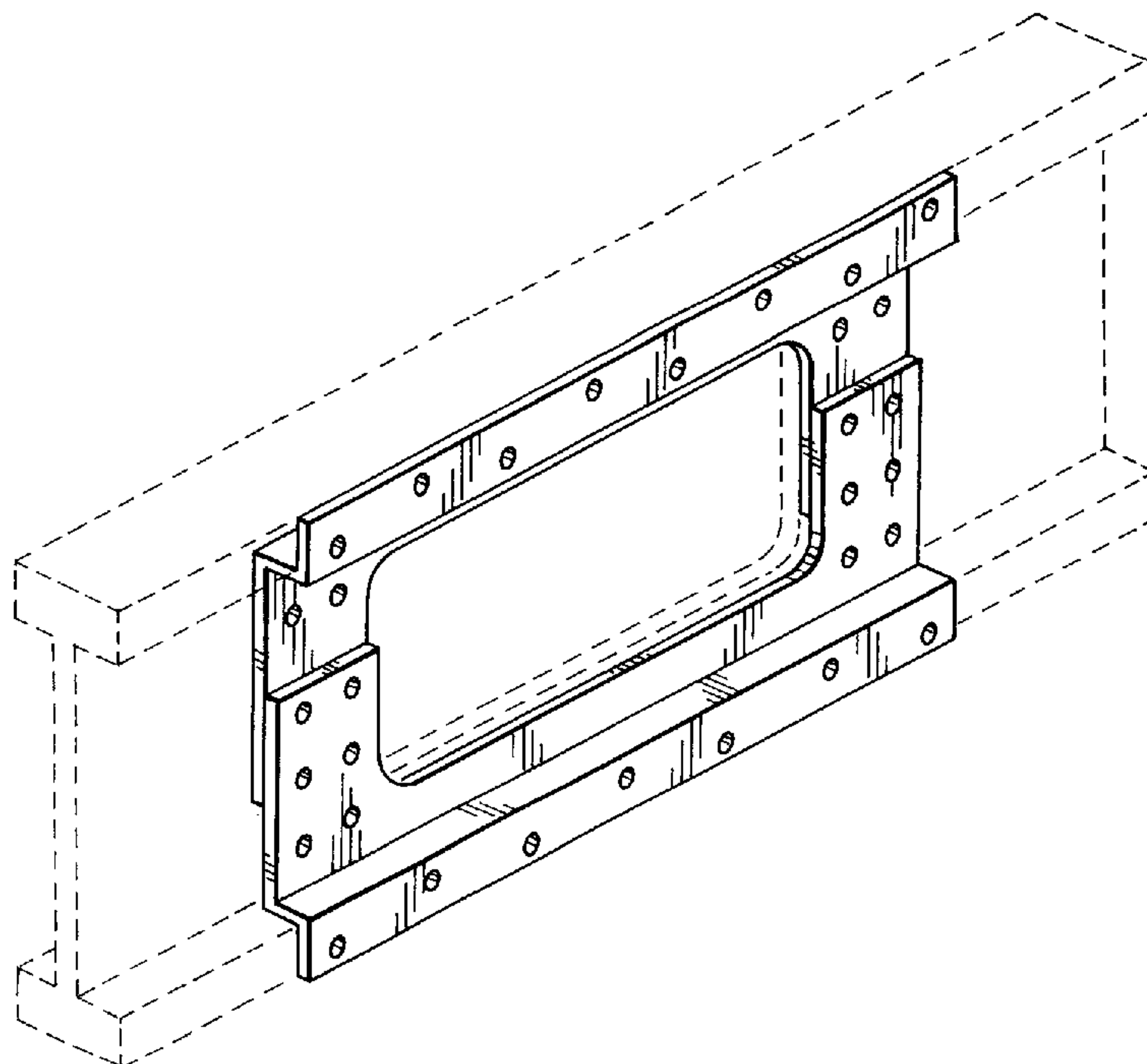
The ornamental design for a joist reinforcing bracket, as shown and described.

DESCRIPTION

FIG. 1 is a perspective view of a joist reinforcing bracket showing our new design;
 FIG. 2 is an exploded perspective view thereof;
 FIG. 3 is a rear elevational view thereof;
 FIG. 4 is a front elevational view thereof;
 FIG. 5 is a top view thereof;
 FIG. 6 is a bottom view thereof; and,
 FIG. 7 is a inverted left side elevational view with the right side being a mirror image thereof.

The broken line showing of a joist in FIGS. 1 and 3–7 is for illustrative purposes only and forms no part of the claimed design.

1 Claim, 1 Drawing Sheet



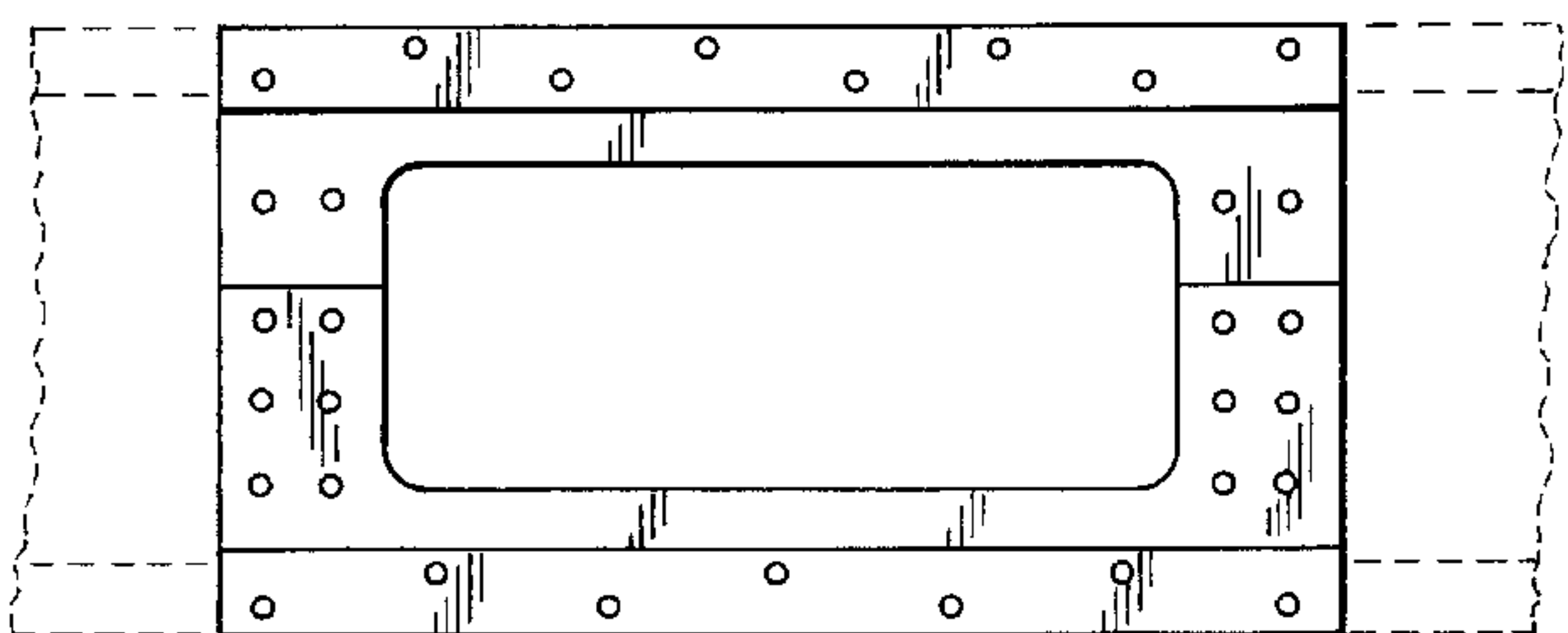
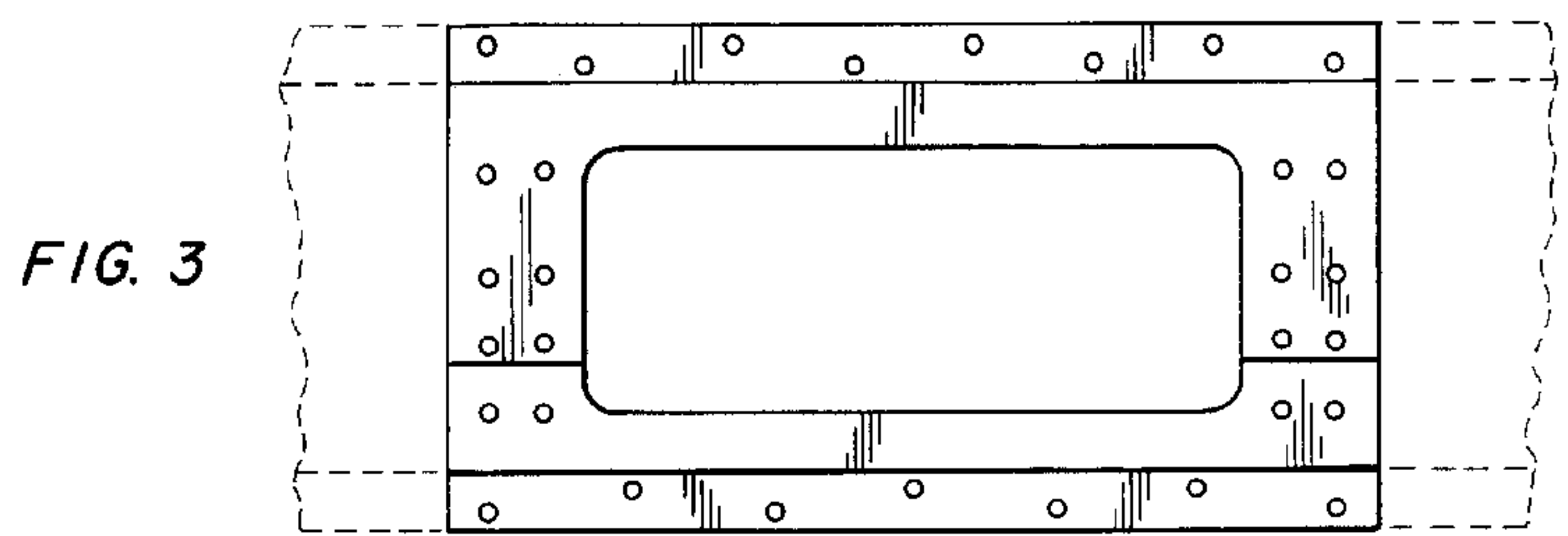
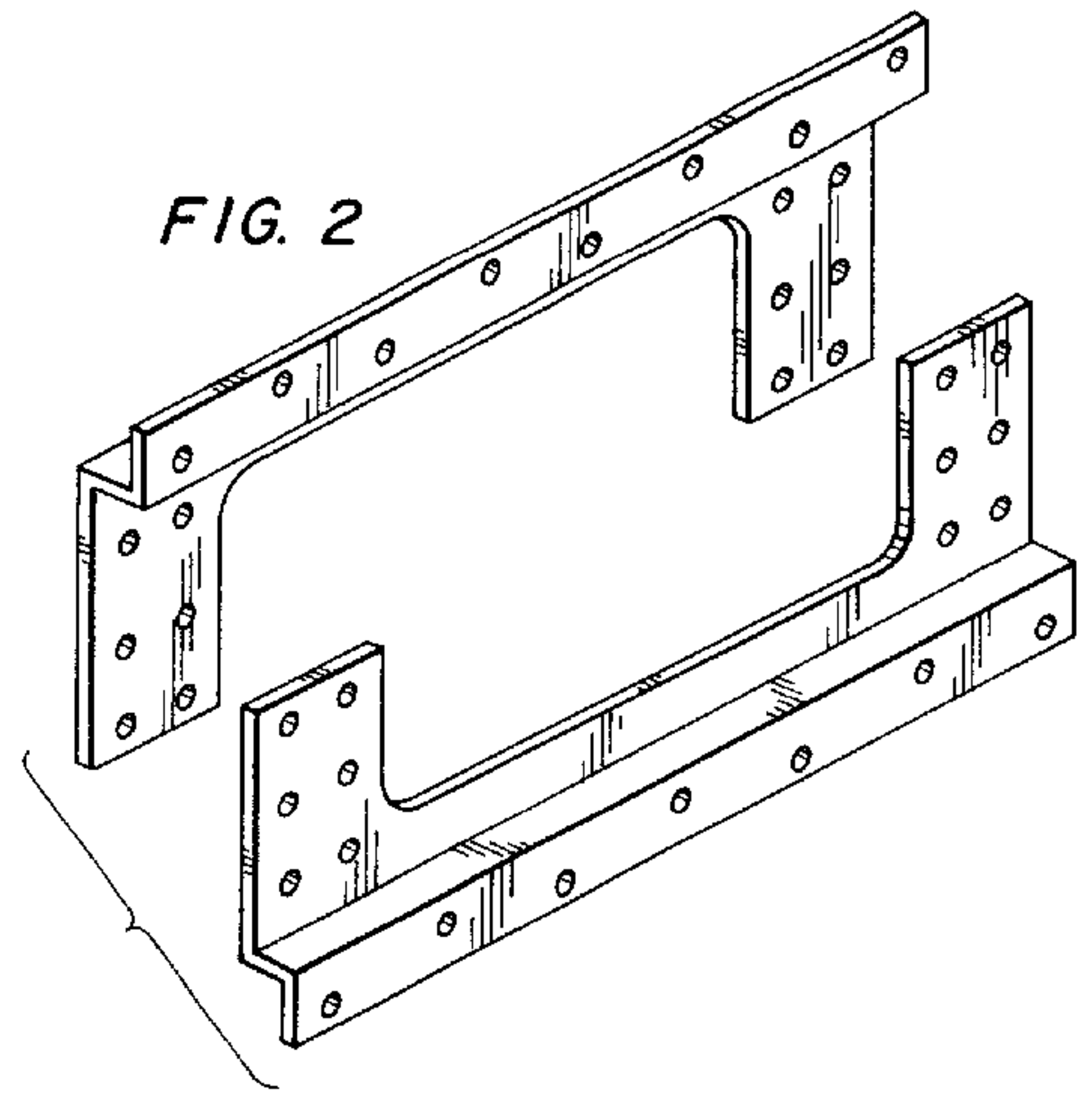
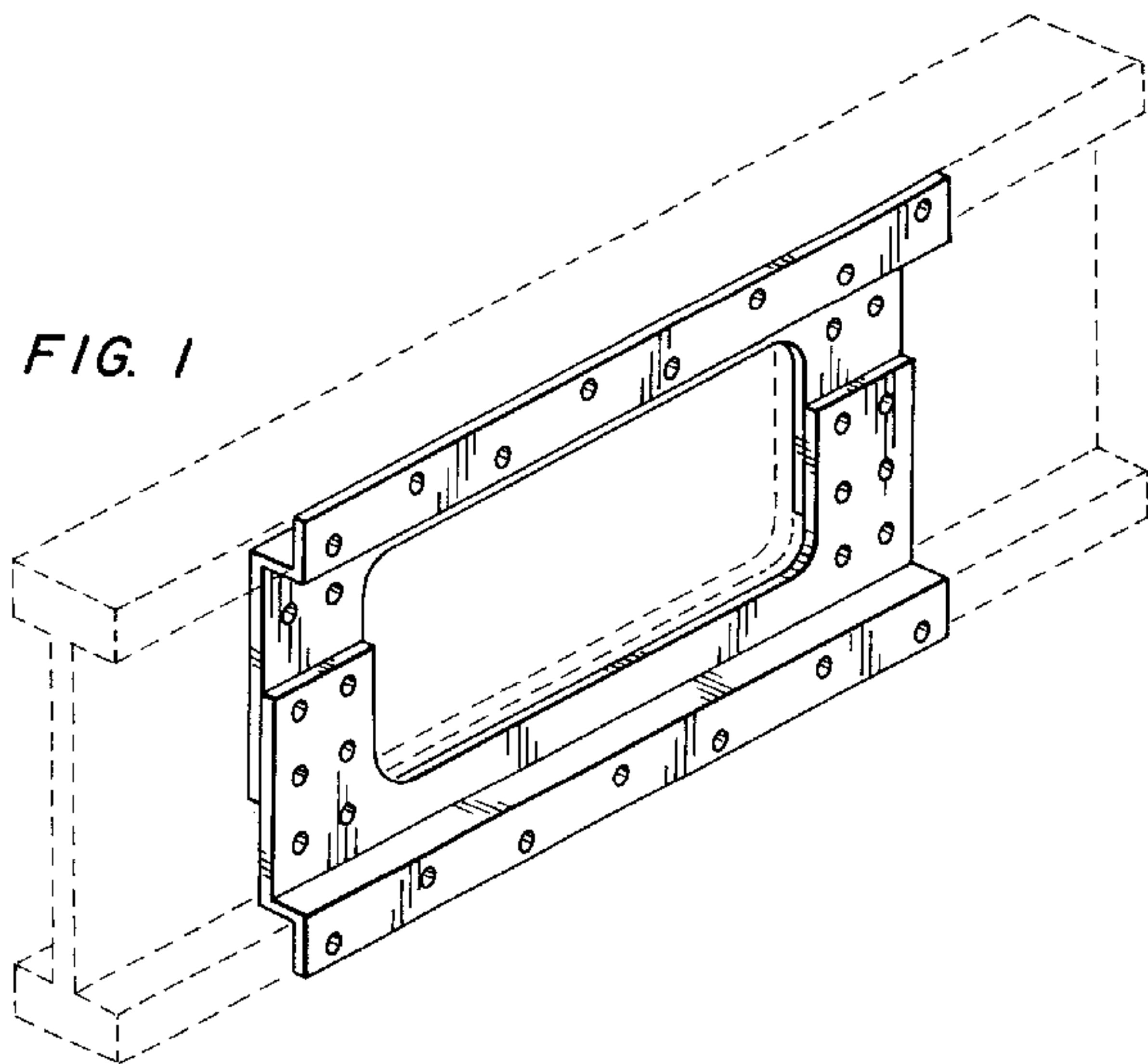


FIG. 4

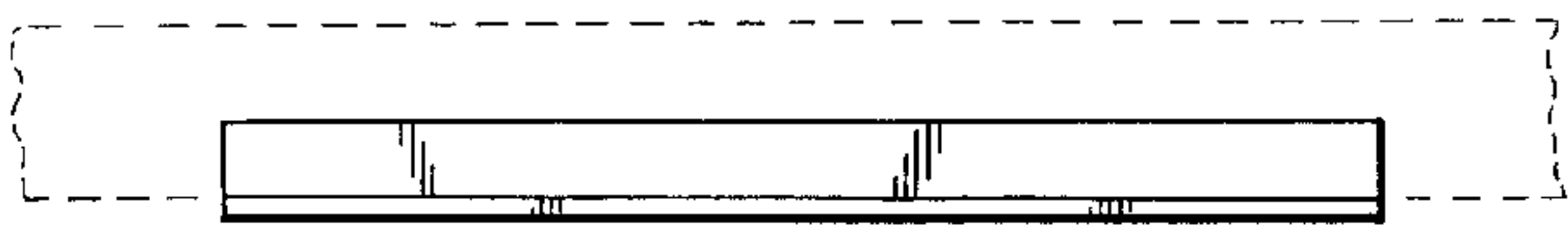


FIG. 5

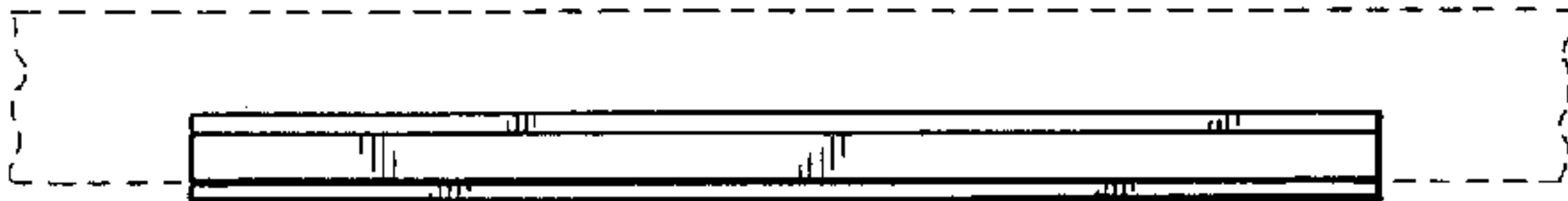


FIG. 6

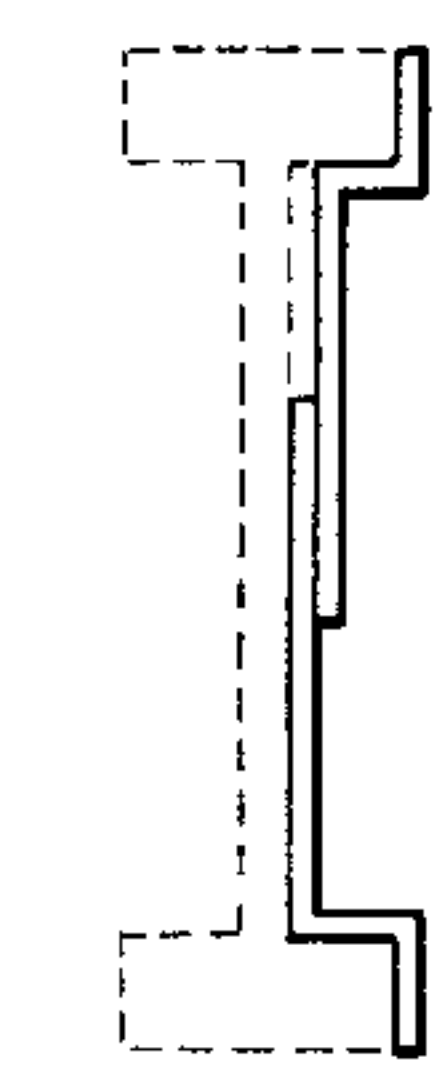


FIG. 7