



US00D477207S

(12) **United States Design Patent**
Kim et al.

(10) **Patent No.:** **US D477,207 S**

(45) **Date of Patent:** **** Jul. 15, 2003**

(54) **GRINDING CUP**

(75) **Inventors:** **See Hyung Kim**, Kyungki-do (KR);
Joon Ho Chang, Chollabook-do (KR)

(73) **Assignee:** **EHWA Diamond Industrial Co., Ltd.**
(KR)

(**) **Term:** **14 Years**

(21) **Appl. No.:** **29/150,398**

(22) **Filed:** **Nov. 16, 2001**

(51) **LOC (7) Cl.** **08-05**

(52) **U.S. Cl.** **D8/70**

(58) **Field of Search** D8/70, 20, 61,
D8/62, 63; D15/126, 138, 139; 30/307,
347, 355, 388, 389, 390; 51/296; 83/663,
676, 835; 125/15, 18; 451/259, 359, 420,
490, 510, 540, 541, 542, 548, 550

(56) **References Cited**

U.S. PATENT DOCUMENTS

284,086	A	*	8/1883	Stirckler	30/347
931,483	A	*	8/1909	Puffer et al.	451/548
1,313,628	A	*	8/1919	Ford	30/347
1,470,957	A	*	10/1923	Cavicchi	451/548
3,932,967	A	*	1/1976	Hanes	451/490
4,257,301	A	*	3/1981	Tuomaala	83/676
D377,362	S	*	1/1997	Mihailovic	D15/126
D390,435	S	*	2/1998	Matsumoto	D8/70
5,782,682	A	*	7/1998	Han et al.	451/548

D401,822	S	*	12/1998	Pearlman	D8/70
5,911,620	A	*	6/1999	Spangenberg et al.	451/548
D437,540	S	*	2/2001	Suzuki	D8/70
6,299,522	B1	*	10/2001	Lee	451/540
D463,965	S	*	10/2002	Lee et al.	D8/70

FOREIGN PATENT DOCUMENTS

KR	9613815	7/1996
KR	9613816	7/1996

* cited by examiner

Primary Examiner—Doris V. Coles

Assistant Examiner—T. Chase Nelson

(74) *Attorney, Agent, or Firm*—Webb Ziesenheim Logsdon
Orkin & Hanson, P.C.

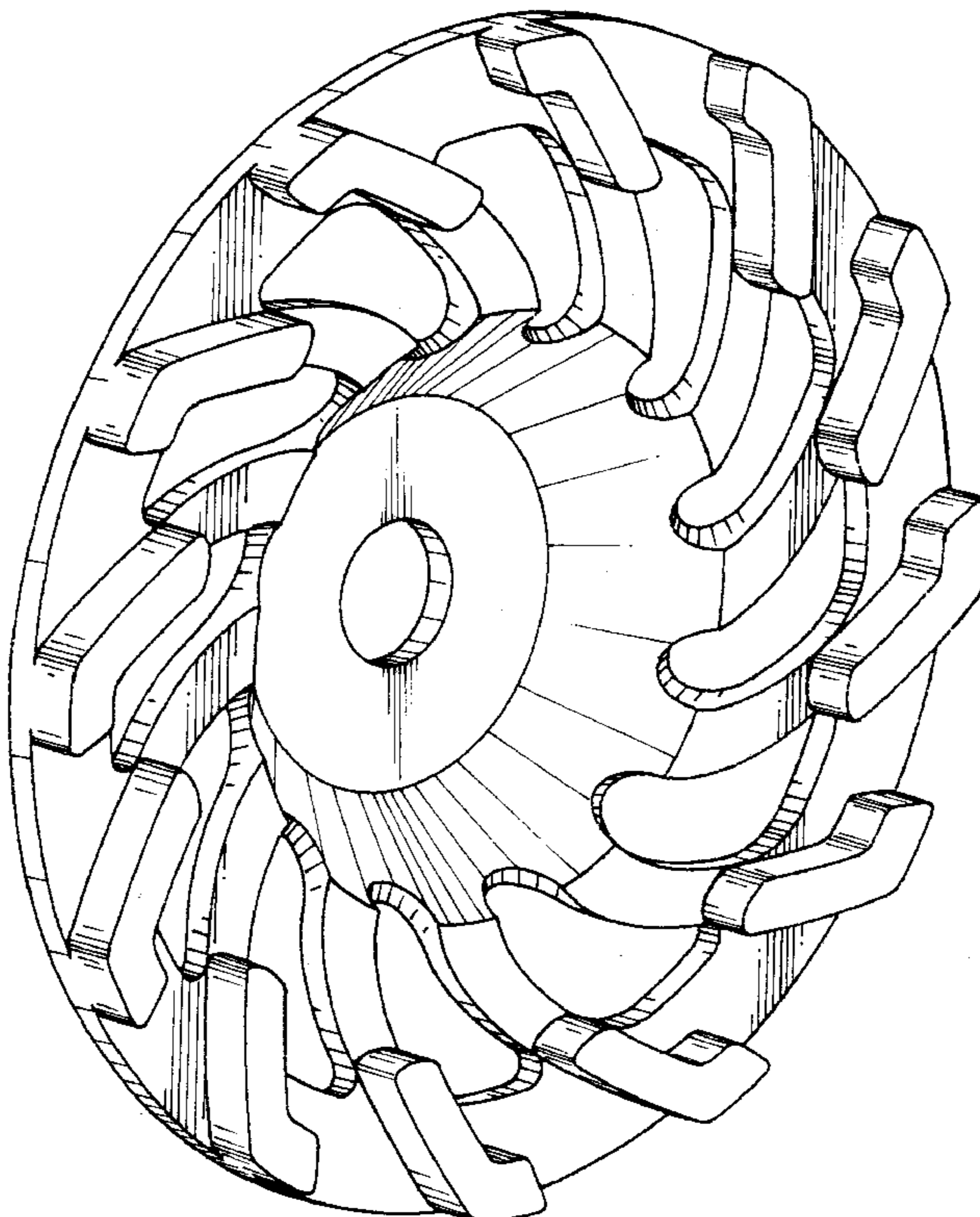
(57) **CLAIM**

The ornamental design for a grinding cup, as shown and described.

DESCRIPTION

FIG. 1 is a perspective view of the grinding cup;
FIG. 2 is a front view thereof;
FIG. 3 is a rear view thereof;
FIG. 4 is a left side view thereof;
FIG. 5 is a right side view thereof;
FIG. 6 is a top plan view thereof;
FIG. 7 is a bottom view thereof; and,
FIG. 8 is a cross-sectional view of the grinding cup of FIG. 2 taken along section line 8—8.

1 Claim, 5 Drawing Sheets



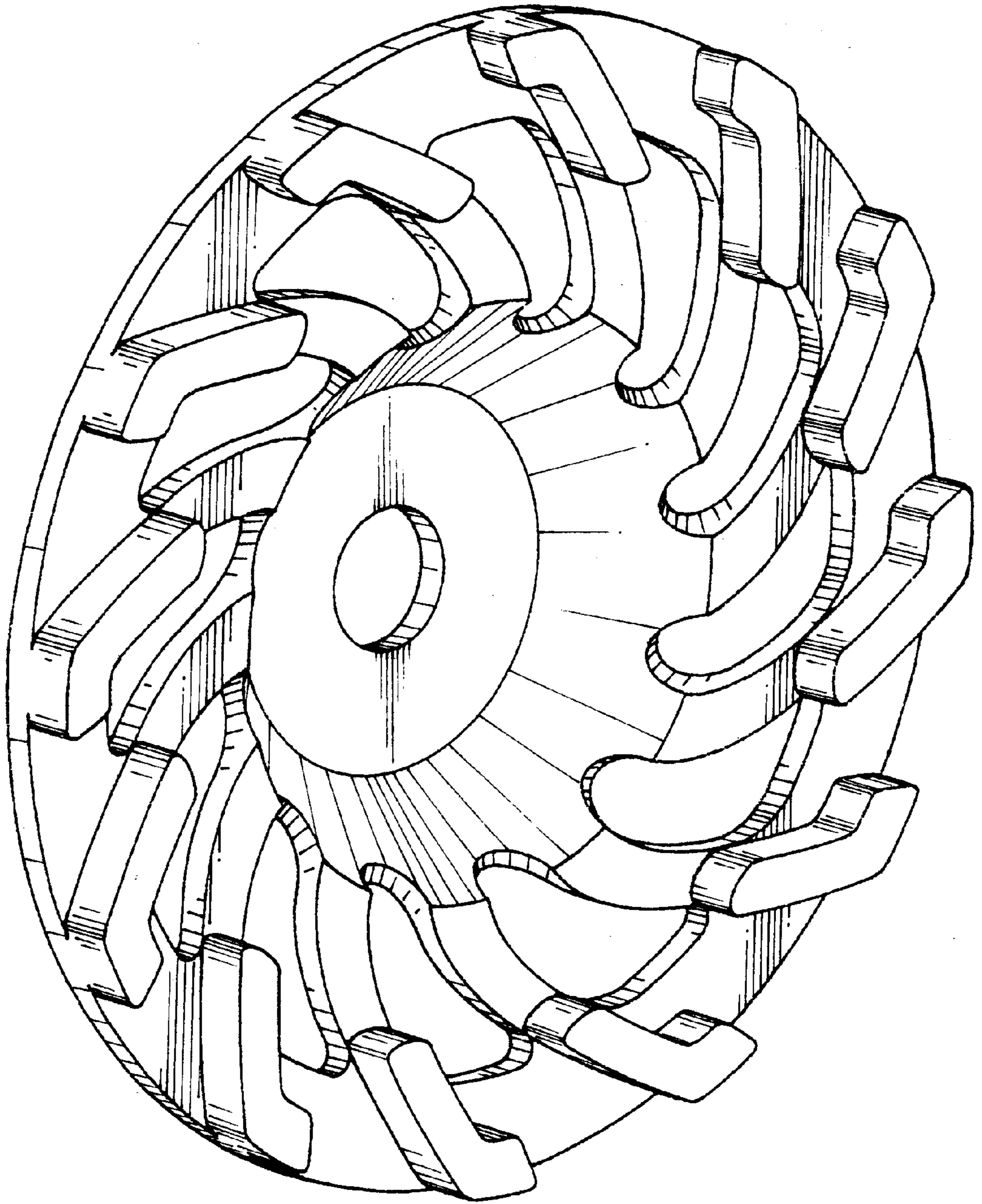


FIG. 1

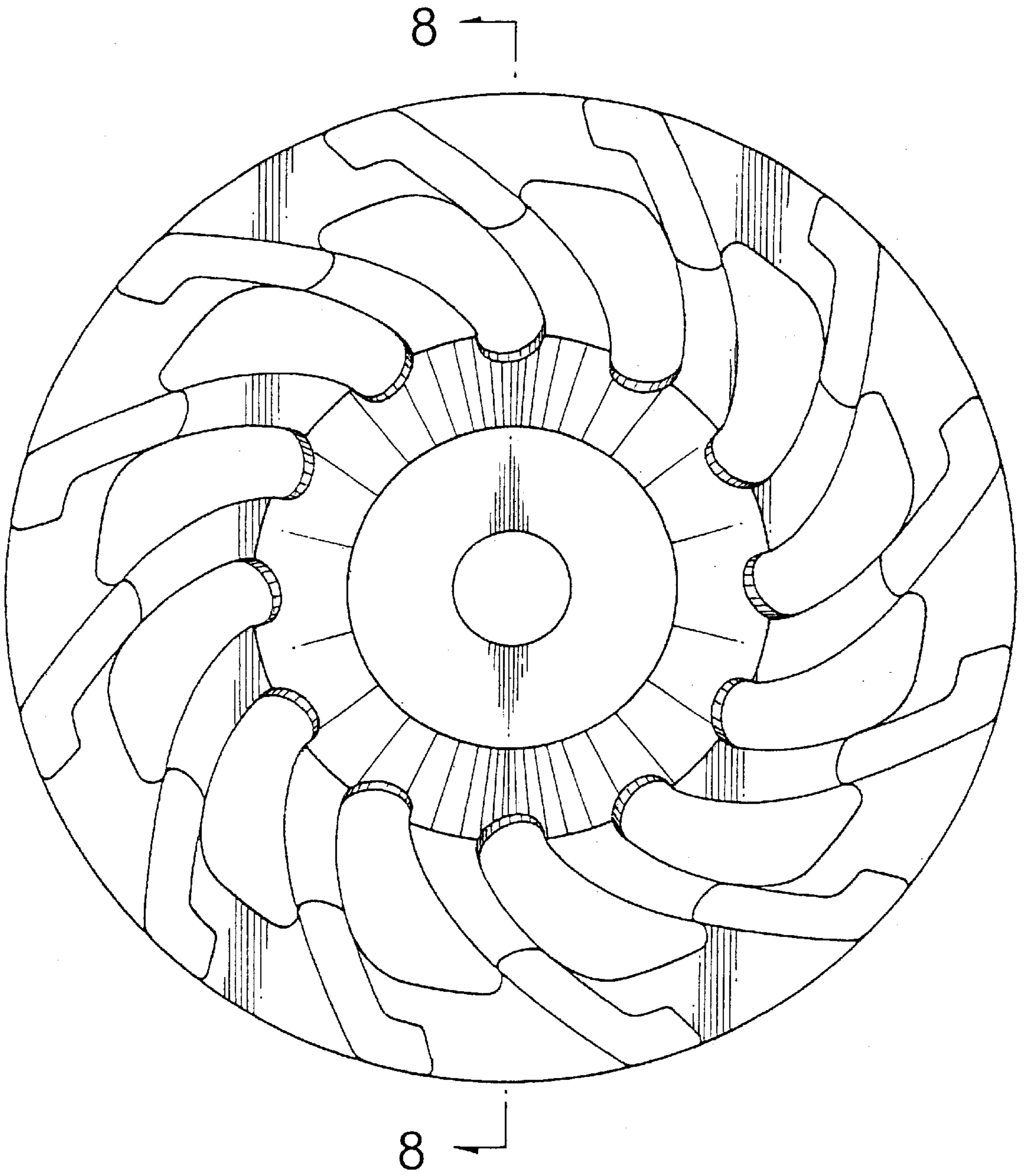


FIG. 2

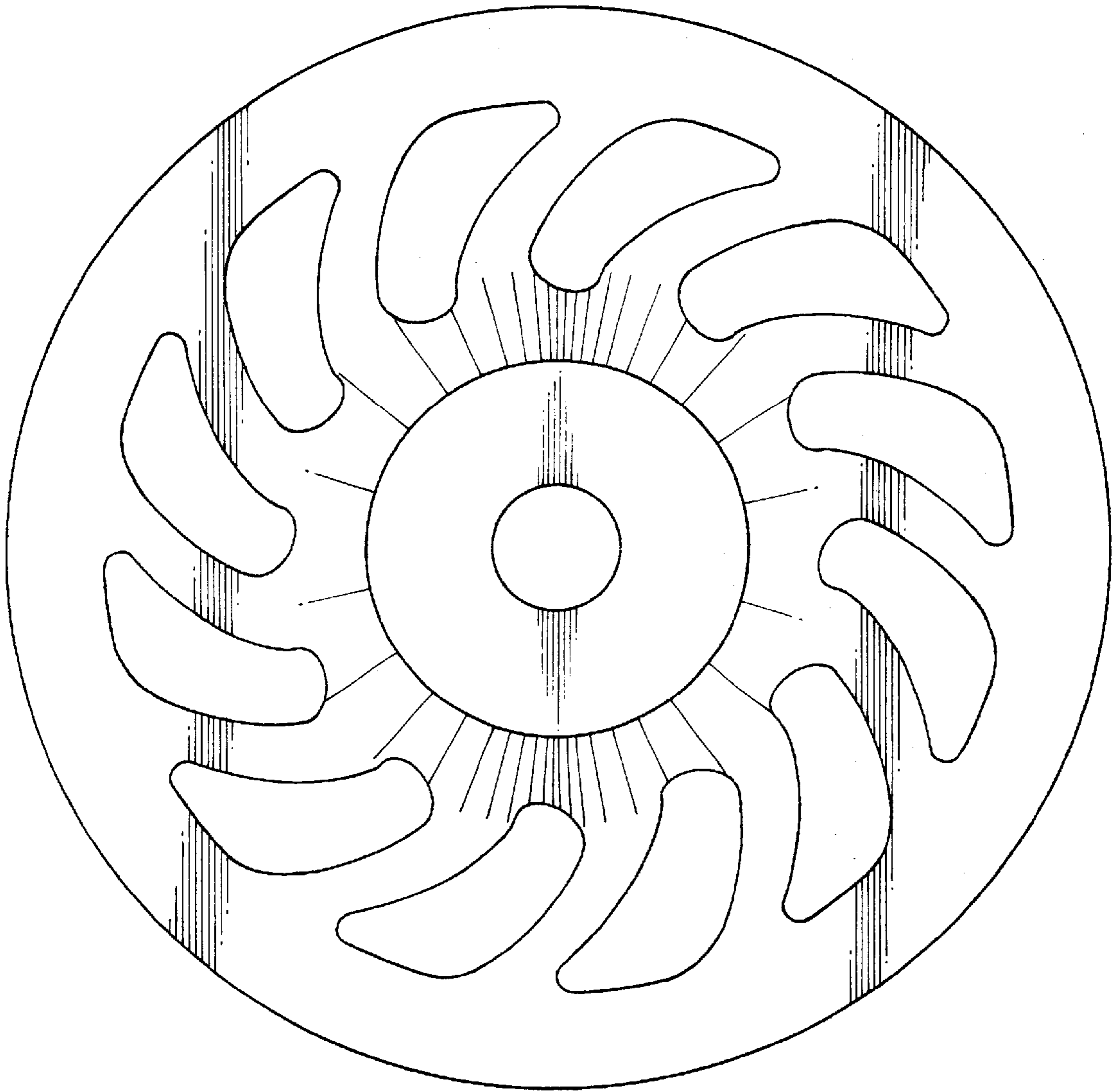


FIG. 3

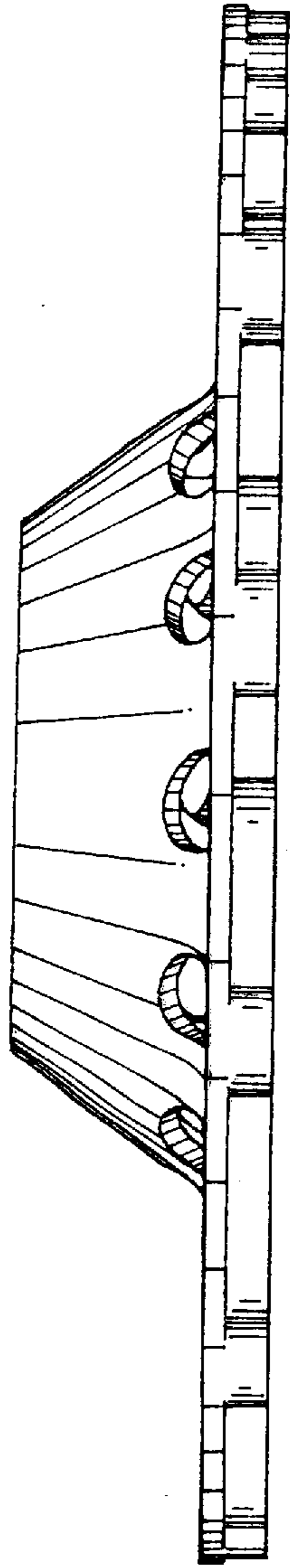


FIG. 4

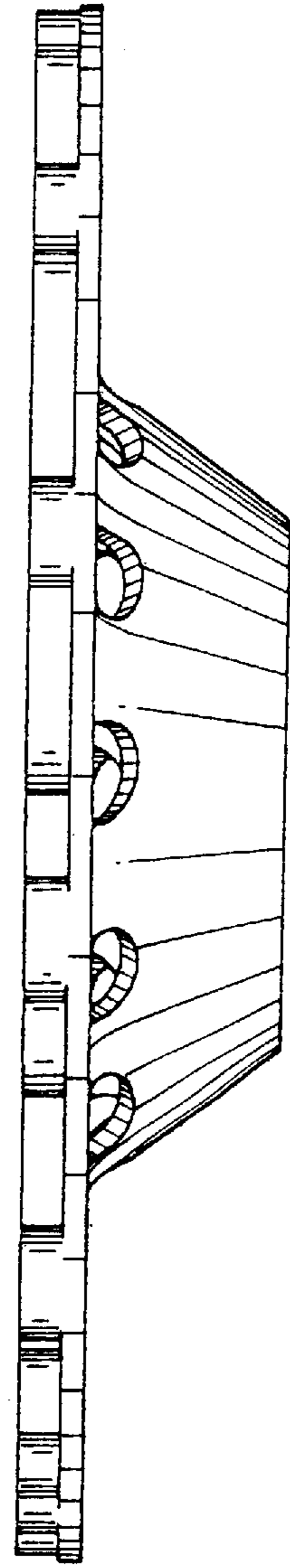


FIG. 5

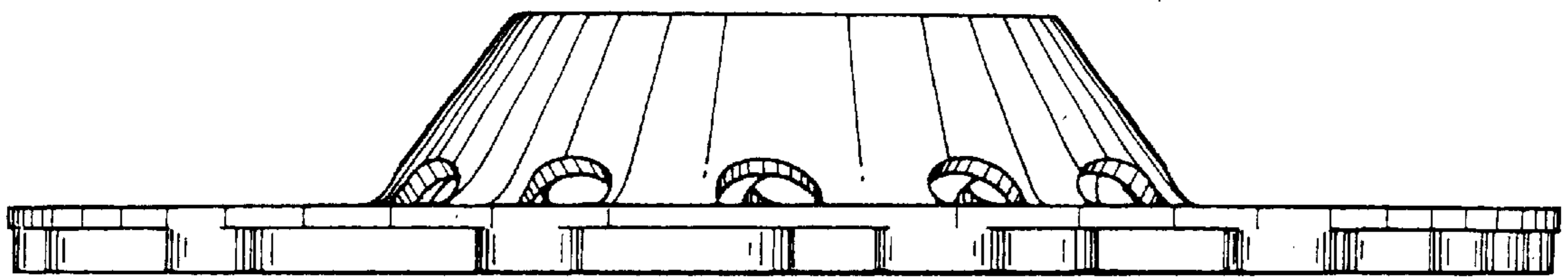


FIG. 6

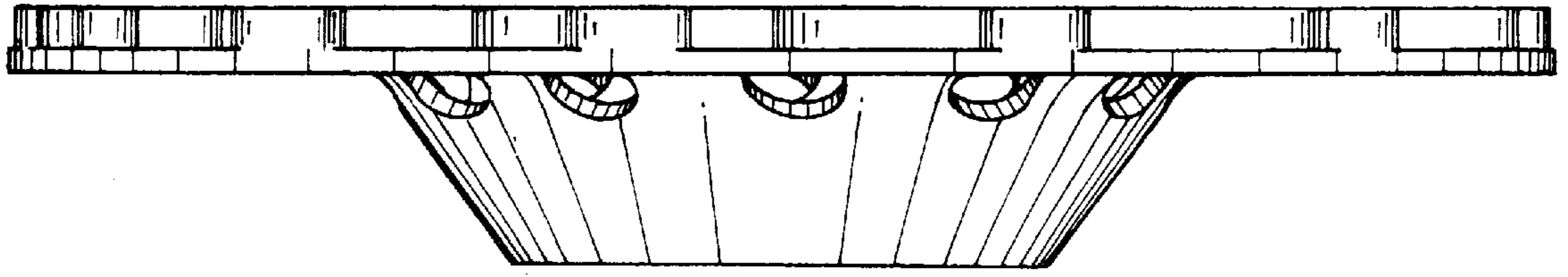


FIG. 7

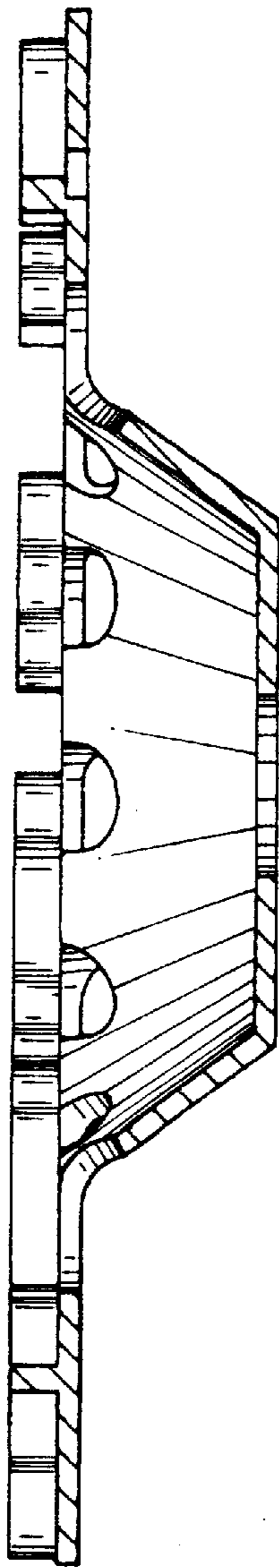


FIG. 8