



US00D477206S

(12) **United States Design Patent**
Sakai et al.

(10) **Patent No.: US D477,206 S**

(45) **Date of Patent: ** Jul. 15, 2003**

(54) **PORTABLE ELECTRIC HAMMER**

(75) Inventors: **Masato Sakai**, Hitachinaka (JP);
Akihisa Yahagi, Hitachinaka (JP);
Atsuyuki Kikuchi, Hitachinaka (JP)

(73) Assignee: **Hitachi Koki Co., Ltd.**, Tokyo (JP)

(**) Term: **14 Years**

(21) Appl. No.: **29/165,829**

(22) Filed: **Aug. 19, 2002**

(30) **Foreign Application Priority Data**

Feb. 18, 2002 (JP) 2002-003980
Feb. 18, 2002 (JP) 2002-003981

(51) **LOC (7) Cl.** **08-02**

(52) **U.S. Cl.** **D8/69**

(58) **Field of Search** D8/61, 62, 63,
D8/64, 65, 66, 67, 68, 69, 70; 81/57.11,
429, 464, 465, 466, 469, 489; 173/13, 169,
178, 213, 217; 227/8, 114, 120, 130, 136,
142; 310/50; 408/20, 124, 125, 234, 241 R;
451/358

(56) **References Cited**

U.S. PATENT DOCUMENTS

3,919,573 A * 11/1975 Schmuck 310/50
4,260,916 A * 4/1981 Theissig 310/50
4,365,962 A * 12/1982 Regelsberger 173/178
4,366,403 A * 12/1982 Simpson et al. 310/50
4,378,053 A * 3/1983 Simpson 173/13
4,967,888 A * 11/1990 Lippacher et al. 173/178
D320,918 S * 10/1991 Mochida D8/68
D341,533 S * 11/1993 Karafuji et al. D8/69

D349,029 S * 7/1994 Matsunaga D8/67
D361,252 S * 8/1995 De Neergaard et al. D8/69
D377,591 S * 1/1997 Hattori D8/68
D380,132 S * 6/1997 Matsunaga et al. D8/69
D386,379 S * 11/1997 Kasuya D8/69
D395,586 S * 6/1998 Arakawa et al. D8/69
D447,032 S * 8/2001 Schoen et al. D8/67
6,412,572 B2 * 7/2002 Habedank et al. 310/50
D466,780 S * 12/2002 Stirm D8/69

FOREIGN PATENT DOCUMENTS

JP 929885 S 7/1995

OTHER PUBLICATIONS

Rotary hammers, p. 39, DeWalt Tool Catalogue, c. 1998.*

* cited by examiner

Primary Examiner—Doris V. Coles

Assistant Examiner—T. Chase Nelson

(74) *Attorney, Agent, or Firm*—Sughrue Mion, PLLC

(57) **CLAIM**

The ornamental design for a portable electric hammer, as shown and described.

DESCRIPTION

FIG. 1 is a perspective view of the top, rear and one side of a portable electric hammer showing our new design; FIG. 2 is a side elevational view of said one side; FIG. 3 is a side elevational view of an opposite side thereof; FIG. 4 is a front elevational view thereof; FIG. 5 is a rear elevational view thereof; FIG. 6 is a top plan view thereof; and, FIG. 7 is a bottom plan view thereof.

1 Claim, 5 Drawing Sheets

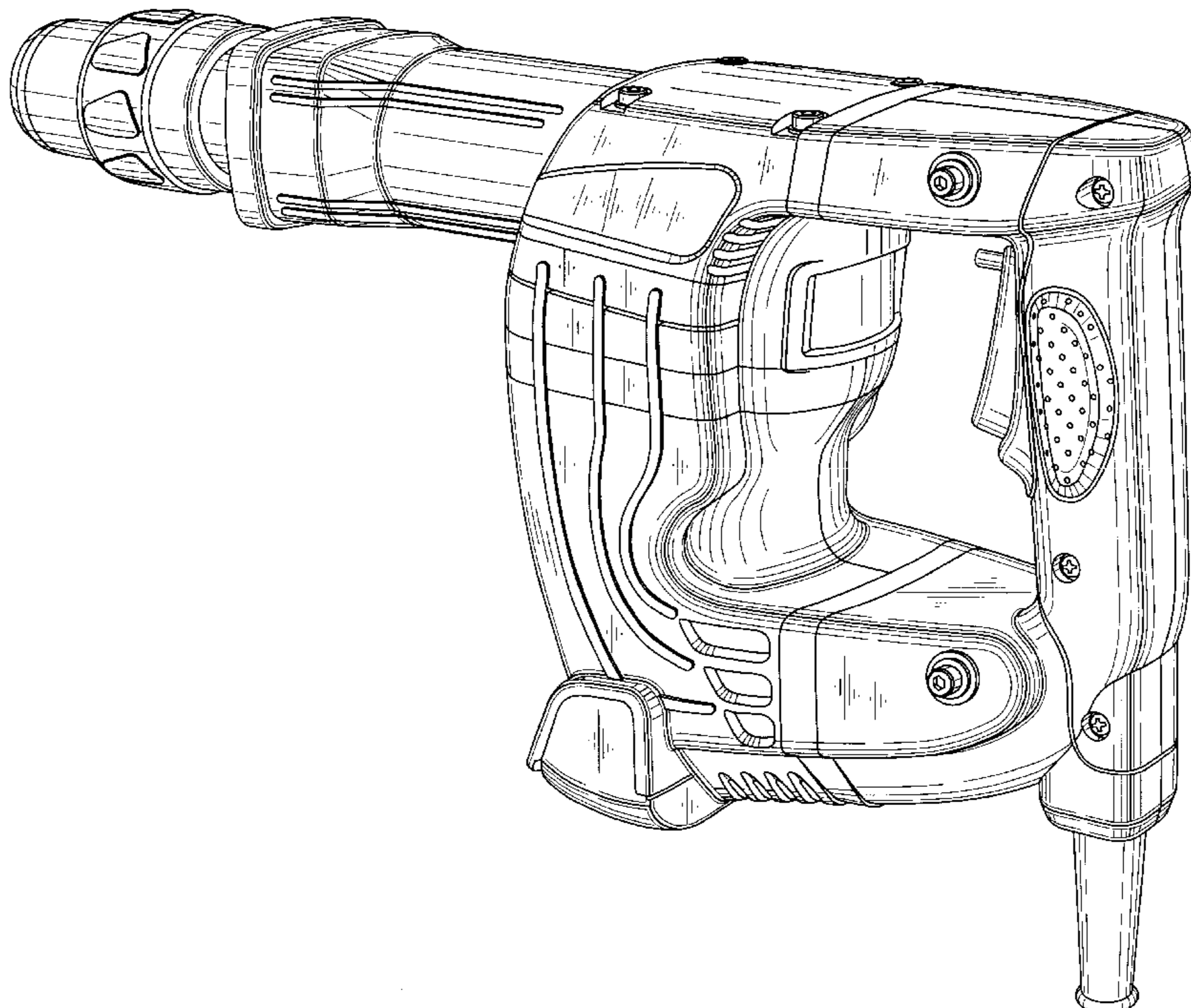


FIG. 1

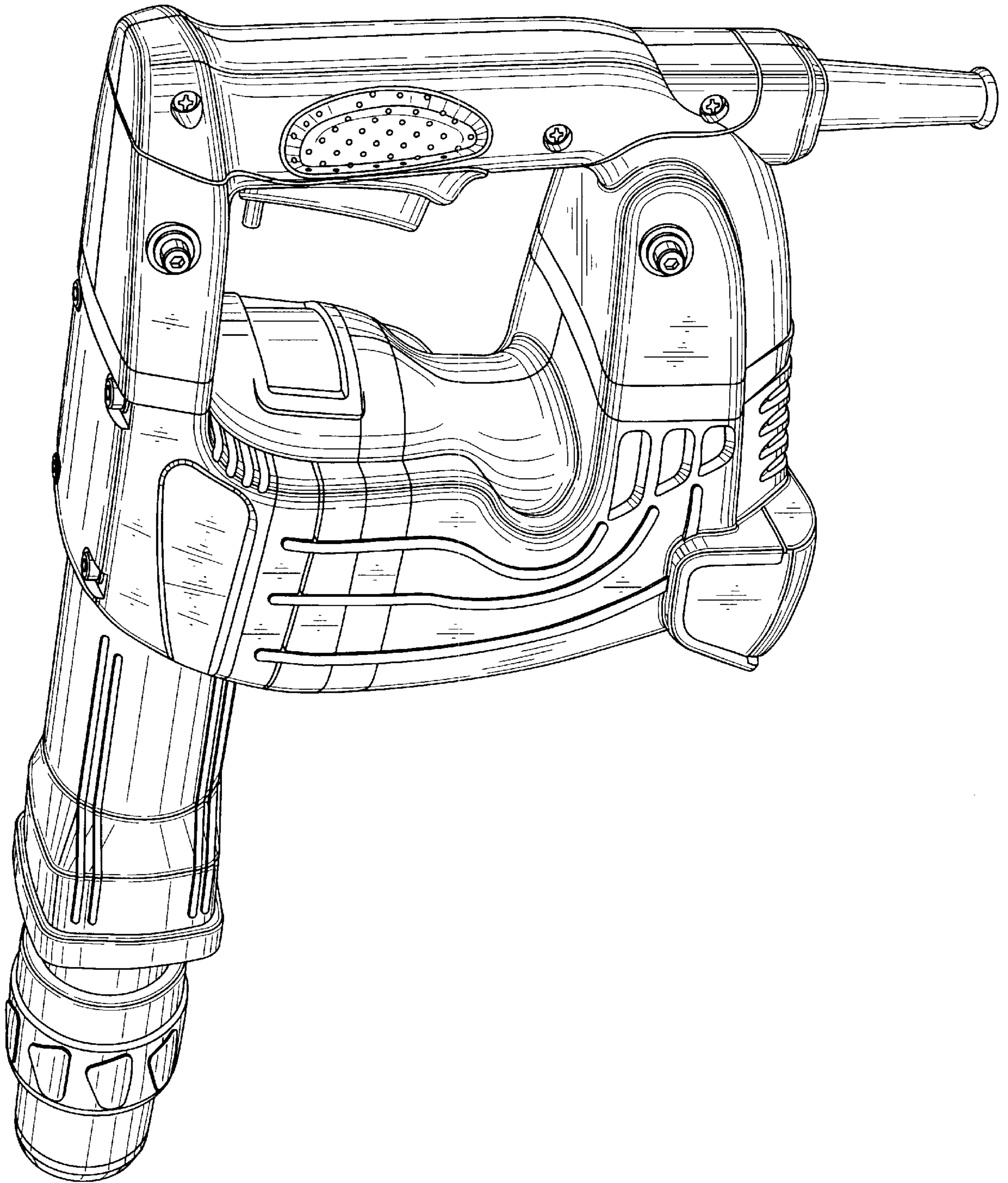


FIG. 2

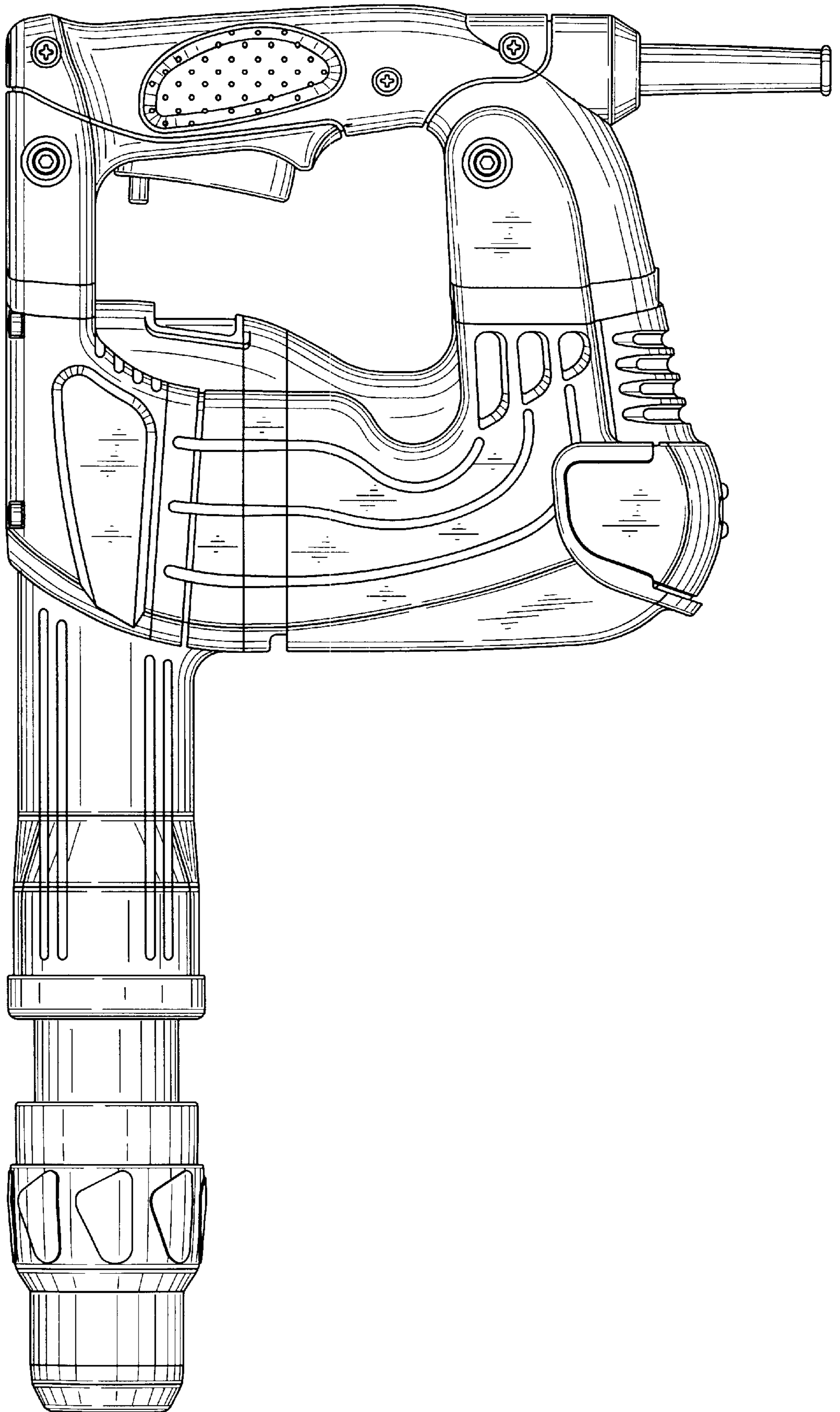


FIG. 3

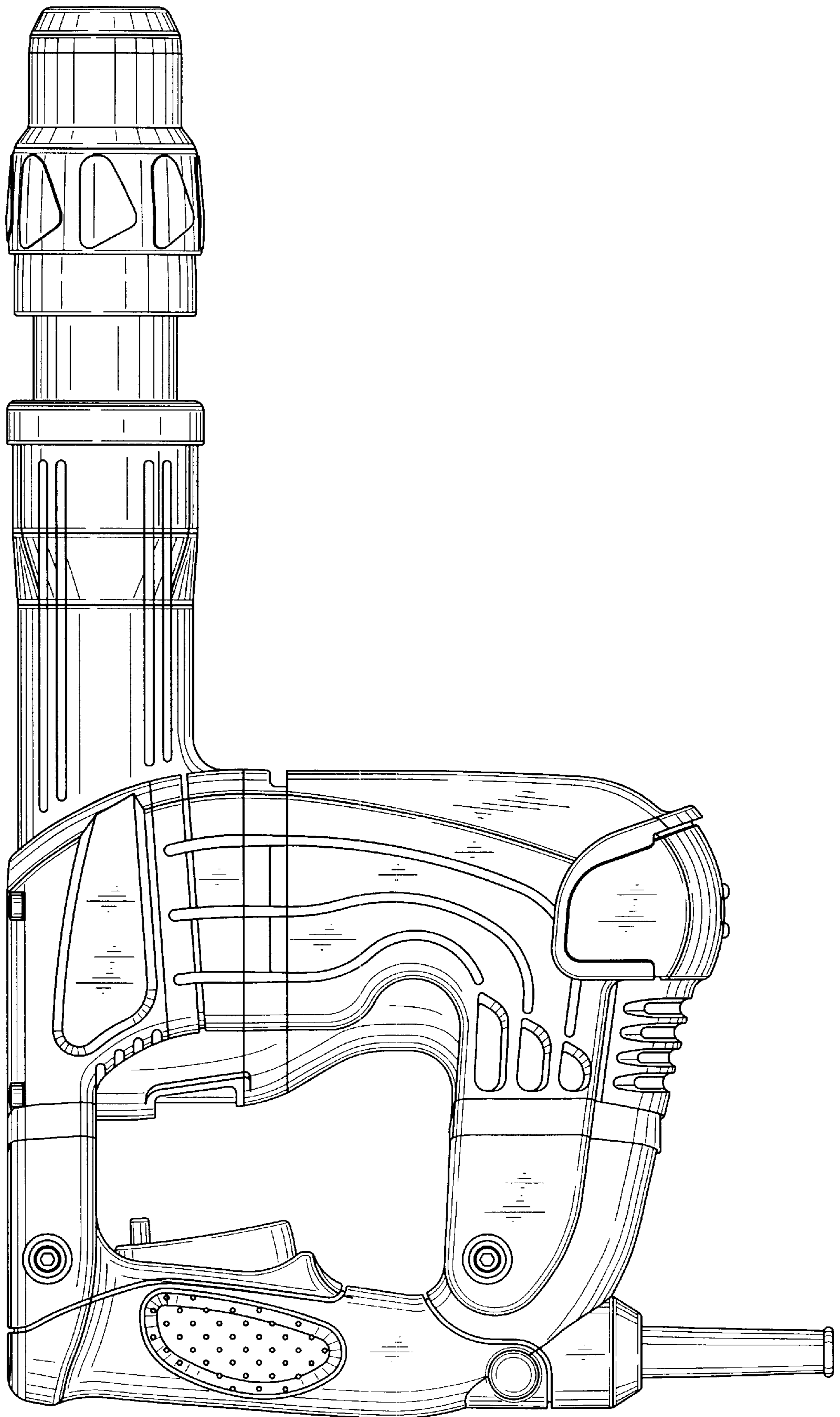


FIG. 5

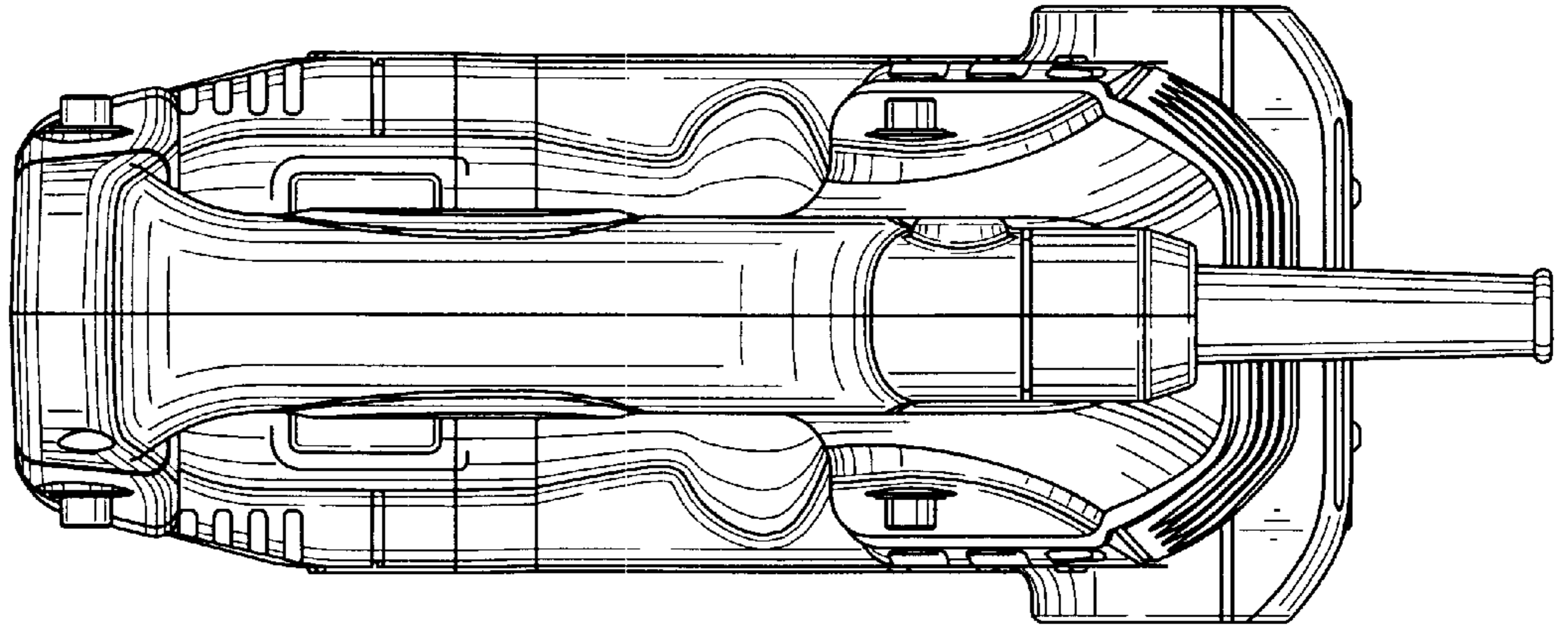


FIG. 4

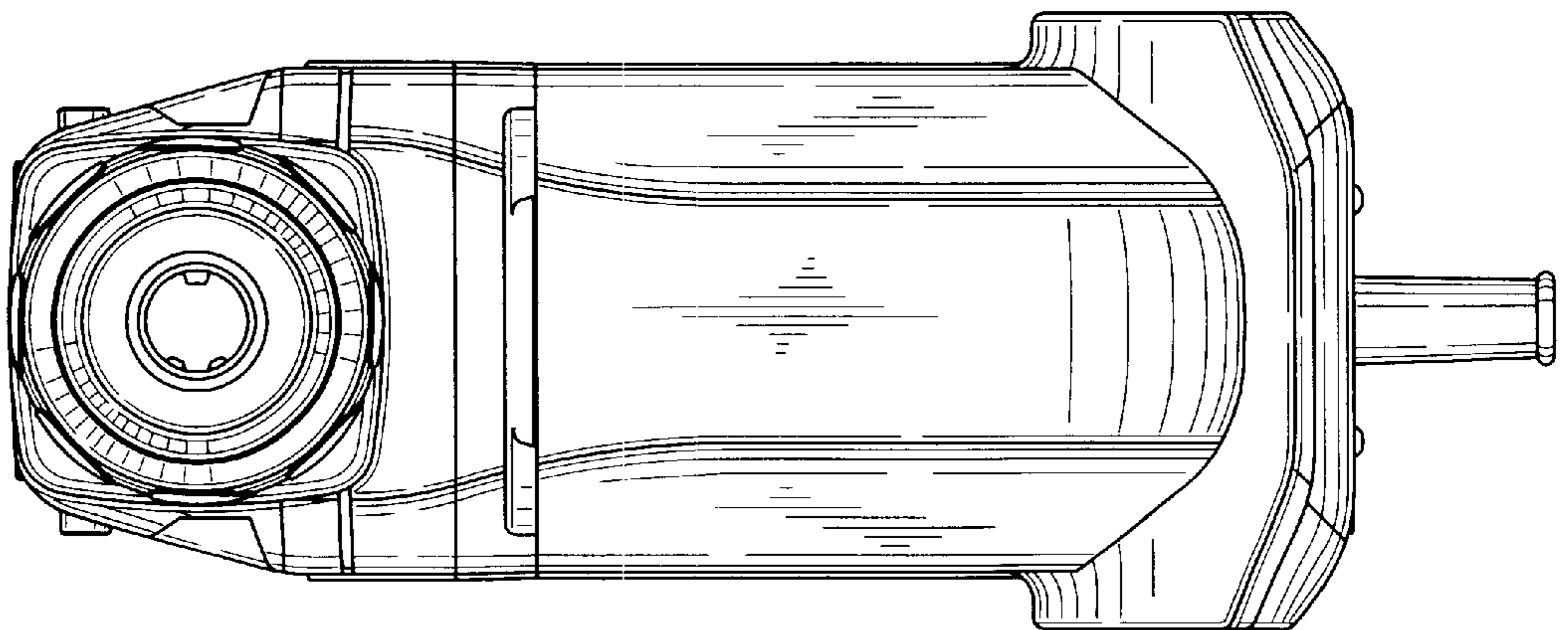


FIG. 6

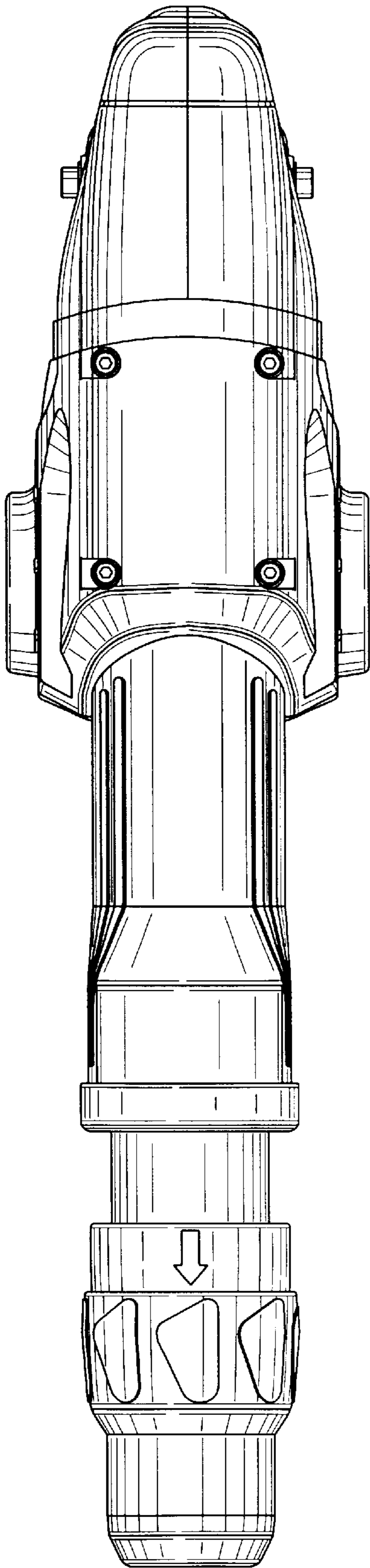


FIG. 7

