



US00D477204S

(12) **United States Design Patent**
Heun

(10) **Patent No.:** **US D477,204 S**

(45) **Date of Patent:** **** Jul. 15, 2003**

(54) **ELECTRIC TRIMMER**

(75) **Inventor:** **Ping Hay Heun, Aberdeen (HK)**

(73) **Assignee:** **Choon Nang Electrical Appliance MFY., Ltd., Aberdeen (HK)**

(**) **Term:** **14 Years**

(21) **Appl. No.:** **29/158,271**

(22) **Filed:** **Apr. 3, 2002**

(30) **Foreign Application Priority Data**

Jan. 31, 2002 (GB) 3001149

(51) **LOC (7) Cl.** **08-03**

(52) **U.S. Cl.** **D8/67**

(58) **Field of Search** D8/61, 62, 67;
D15/124, 127; D24/146; 81/54, 57.11, 57.42,
469, 474; 144/136.95, 154.5, 371; 173/168,
169, 170, 171, 216, 217; 310/50; 408/241 R;
409/180, 181, 182, 218; 451/344, 357,
358, 359

(56) **References Cited**

U.S. PATENT DOCUMENTS

D300,501 S * 4/1989 Zurwelle D8/67

5,139,065 A * 8/1992 Stark 144/134.1
5,813,805 A * 9/1998 Kopras 409/181
D416,460 S * 11/1999 Bosten et al. D8/67
D448,263 S * 9/2001 Heun D8/67

* cited by examiner

Primary Examiner—Doris V. Coles

Assistant Examiner—Elizabeth Albert

(74) *Attorney, Agent, or Firm*—Leydig, Voit & Mayer, Ltd.

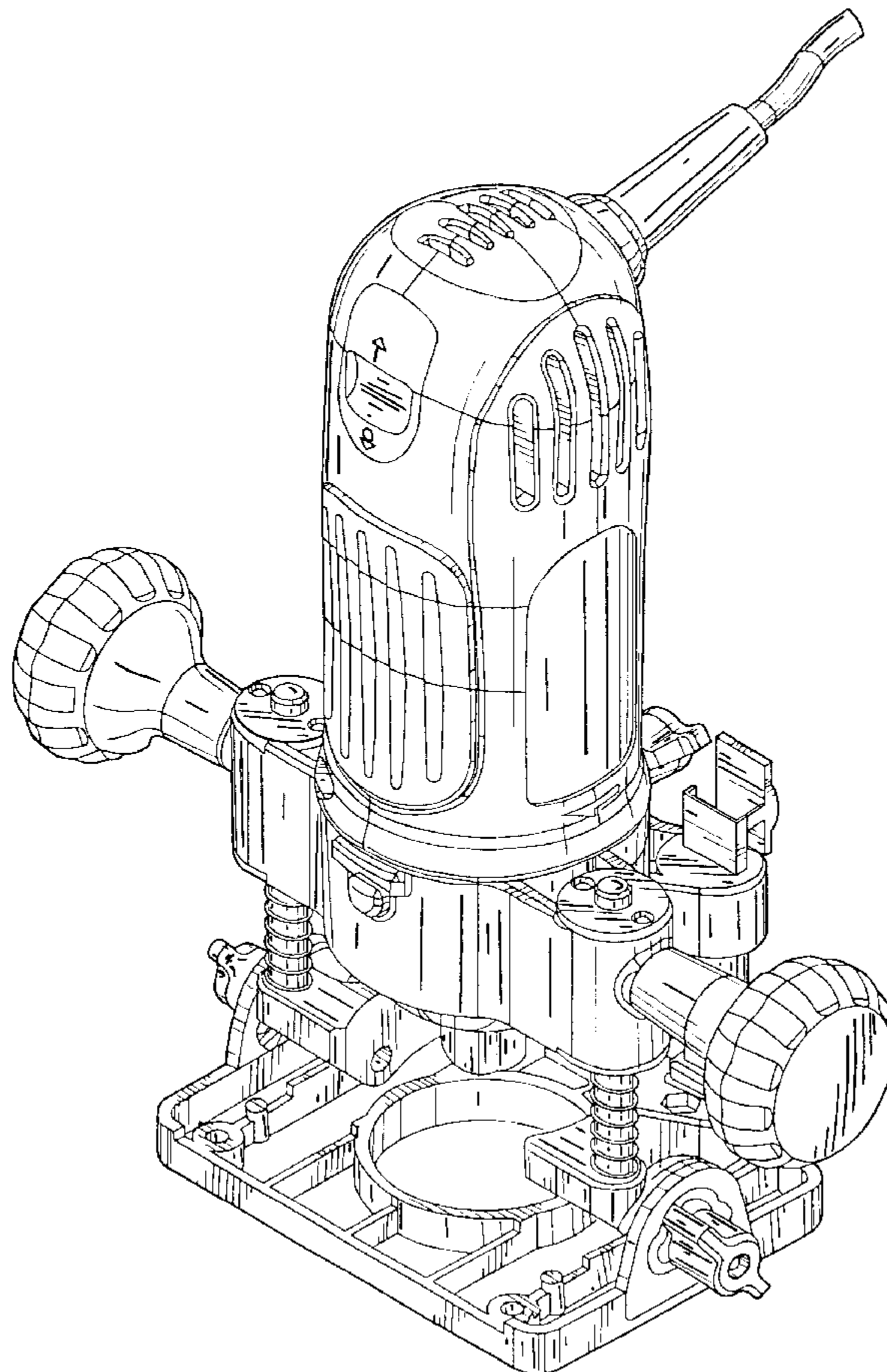
(57) **CLAIM**

The ornamental design for an electrical trimmer, as shown and described.

DESCRIPTION

FIG. 1 is a front, right side and top perspective view of an electric trimmer with the cord broken away for purposes of illustration showing my new design;
FIG. 2 is a rear, left side and top perspective view thereof;
FIG. 3 is a front elevational view thereof;
FIG. 4 is a rear elevational view thereof;
FIG. 5 is a left side elevational view thereof;
FIG. 6 is a right side elevational view thereof;
FIG. 7 is a top plan view thereof; and,
FIG. 8 is a bottom plan view thereof.

1 Claim, 7 Drawing Sheets



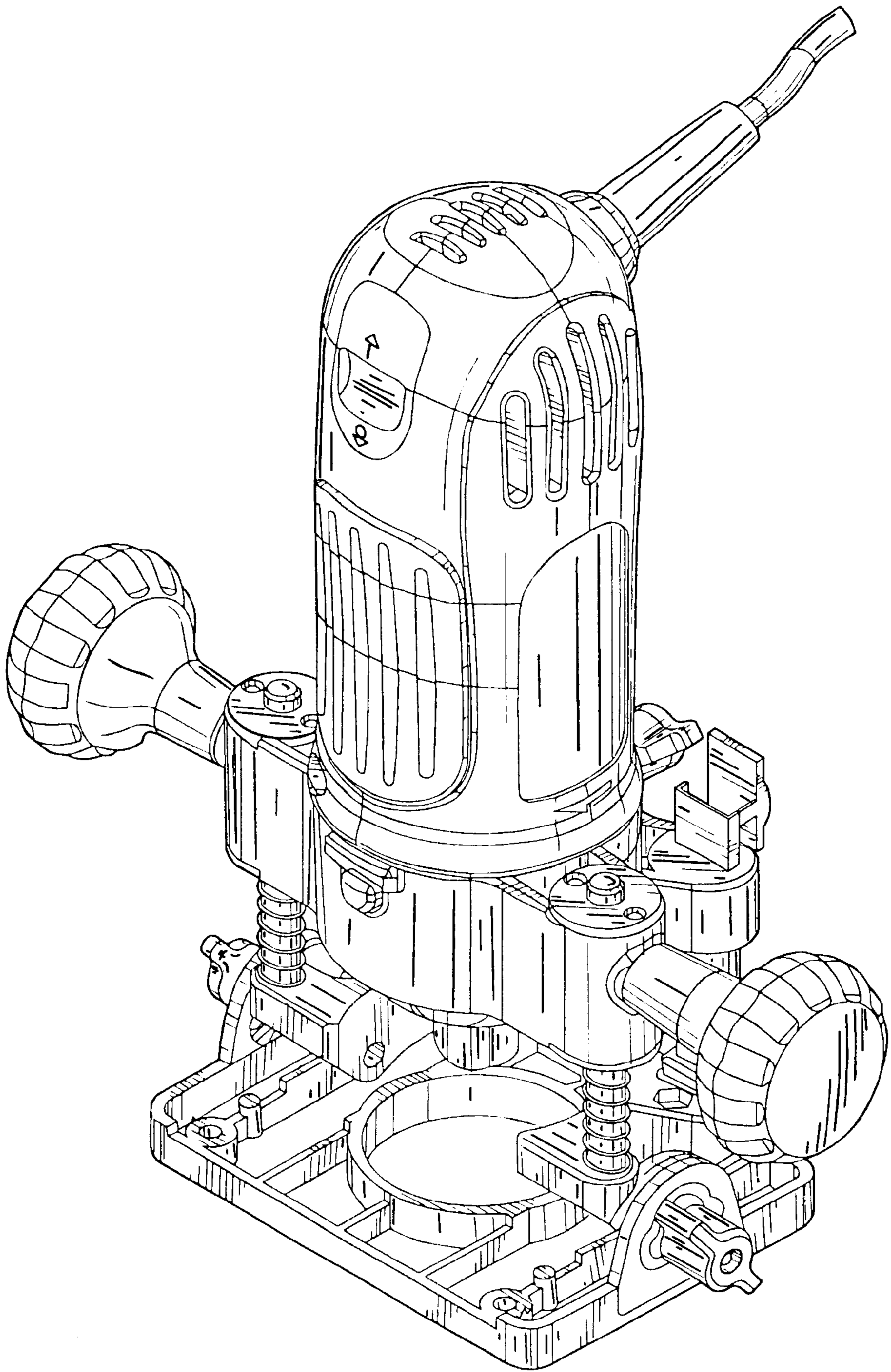


FIG. 1

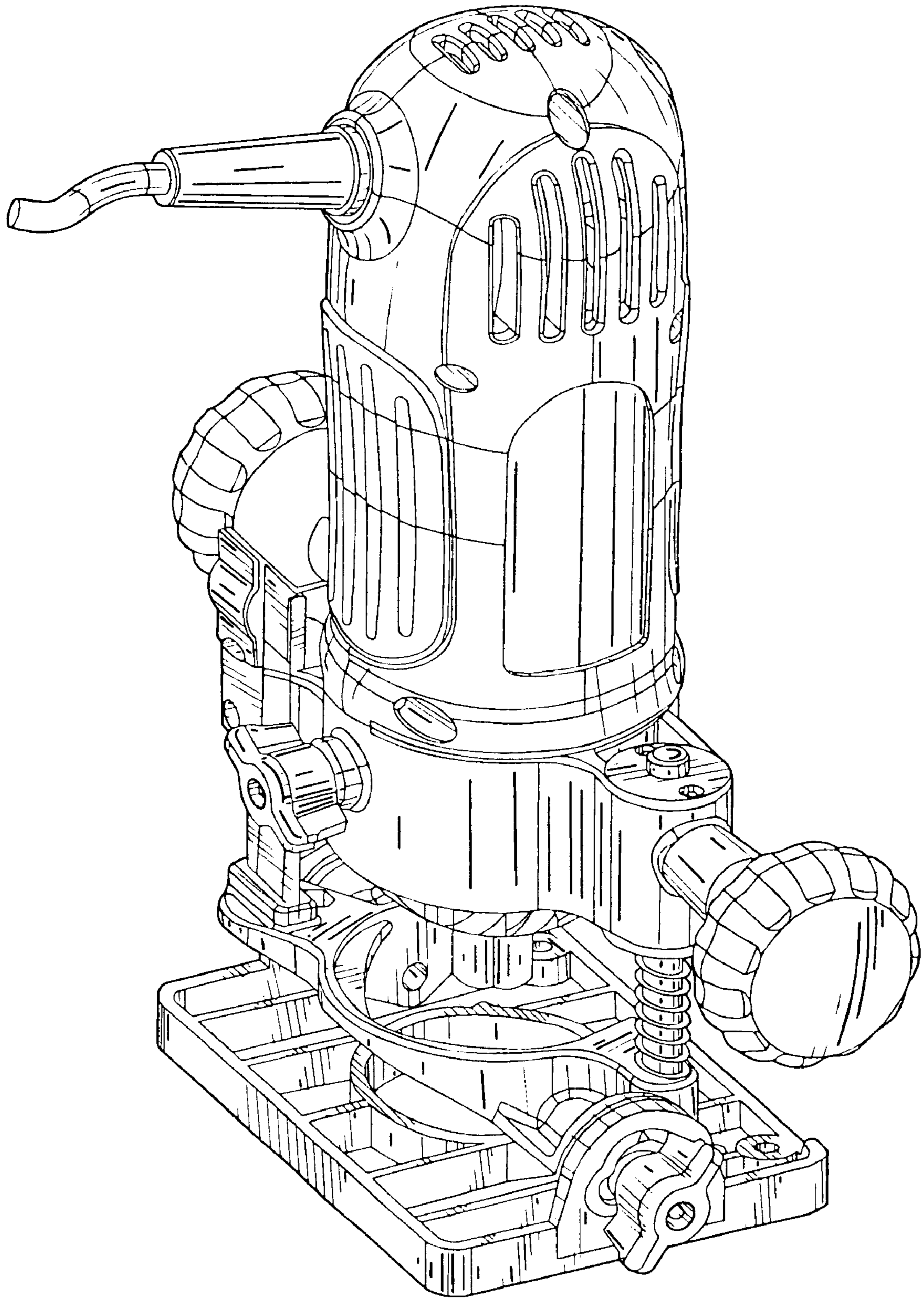


FIG. 2

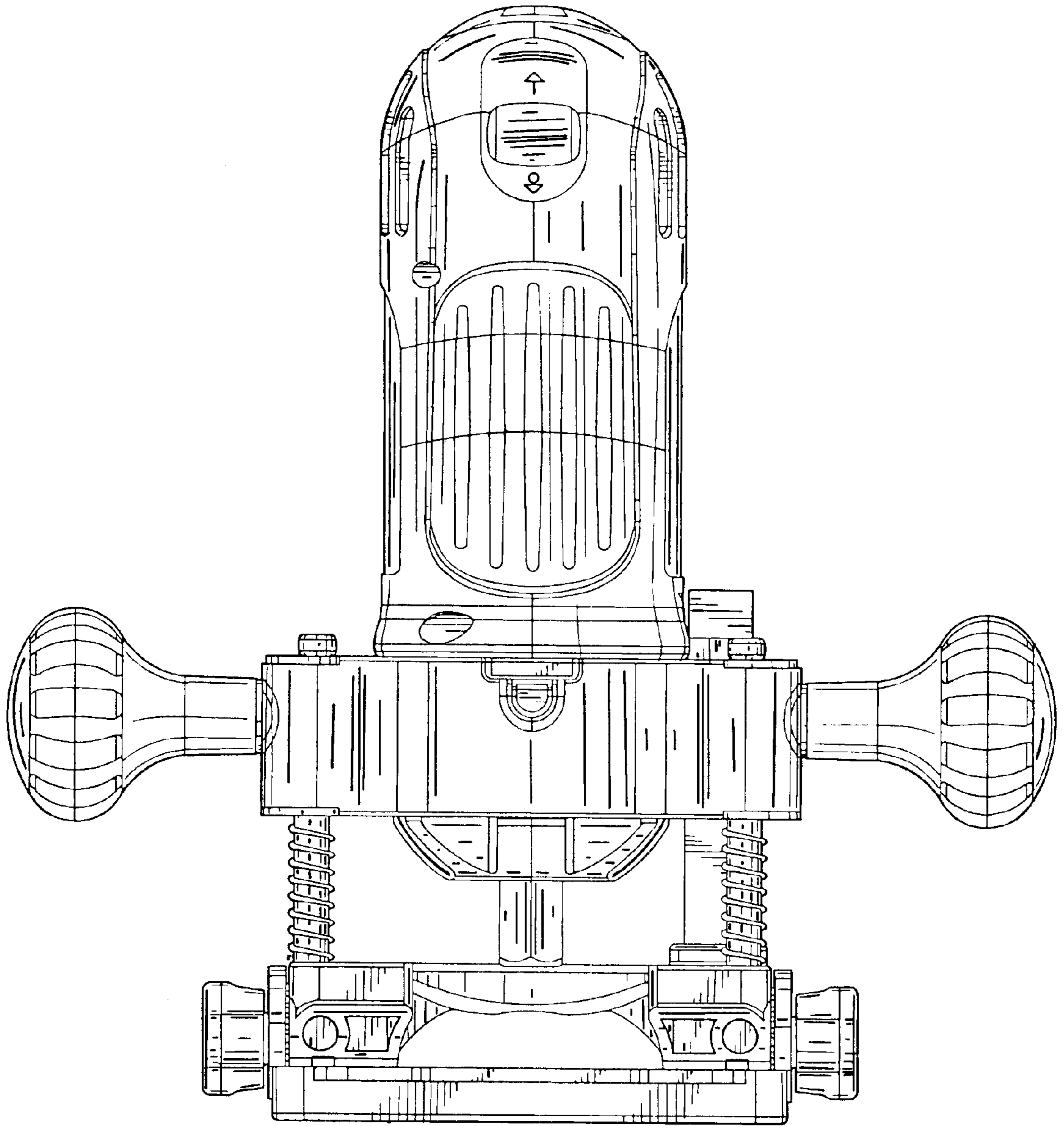


FIG. 3

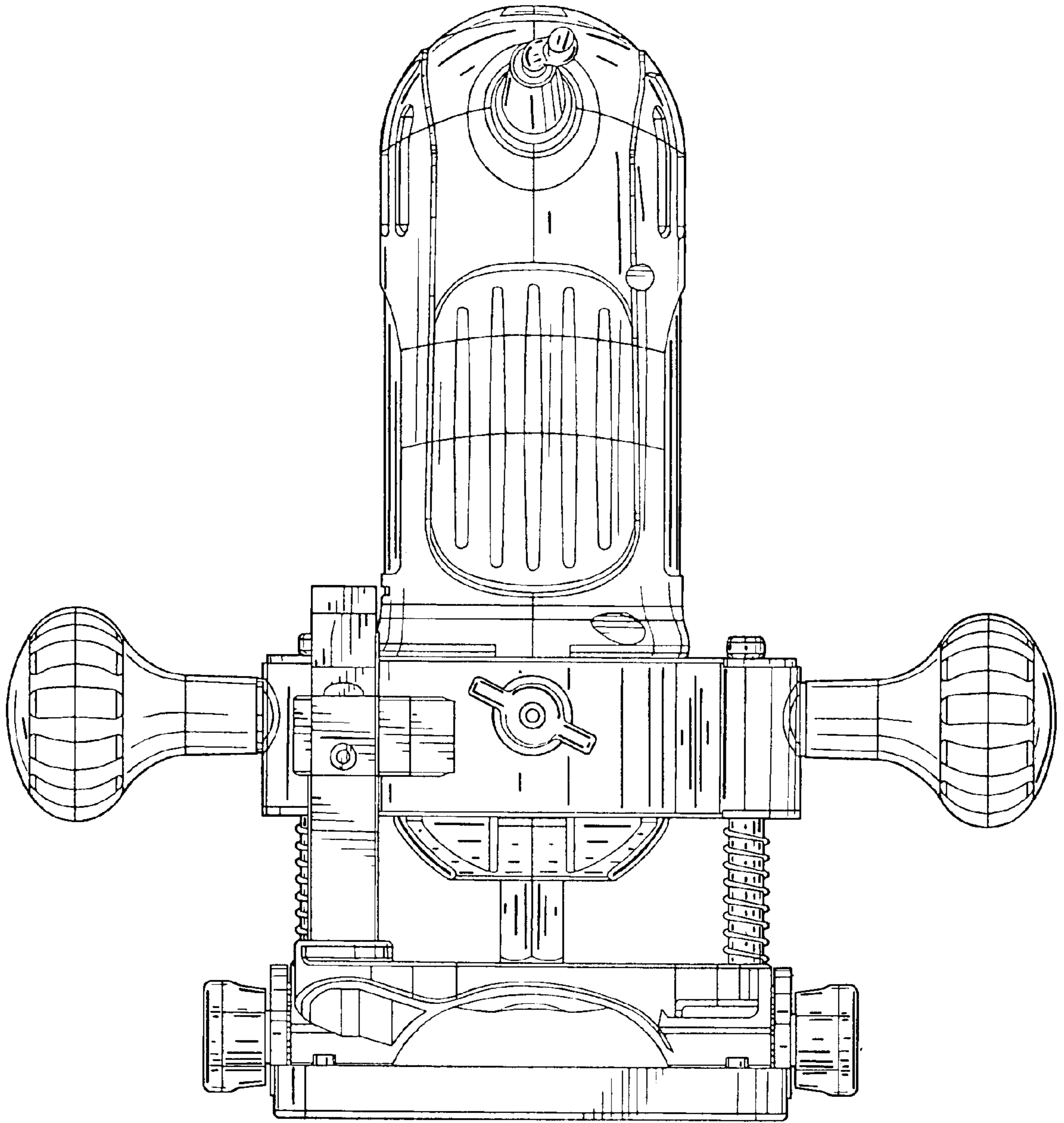


FIG. 4

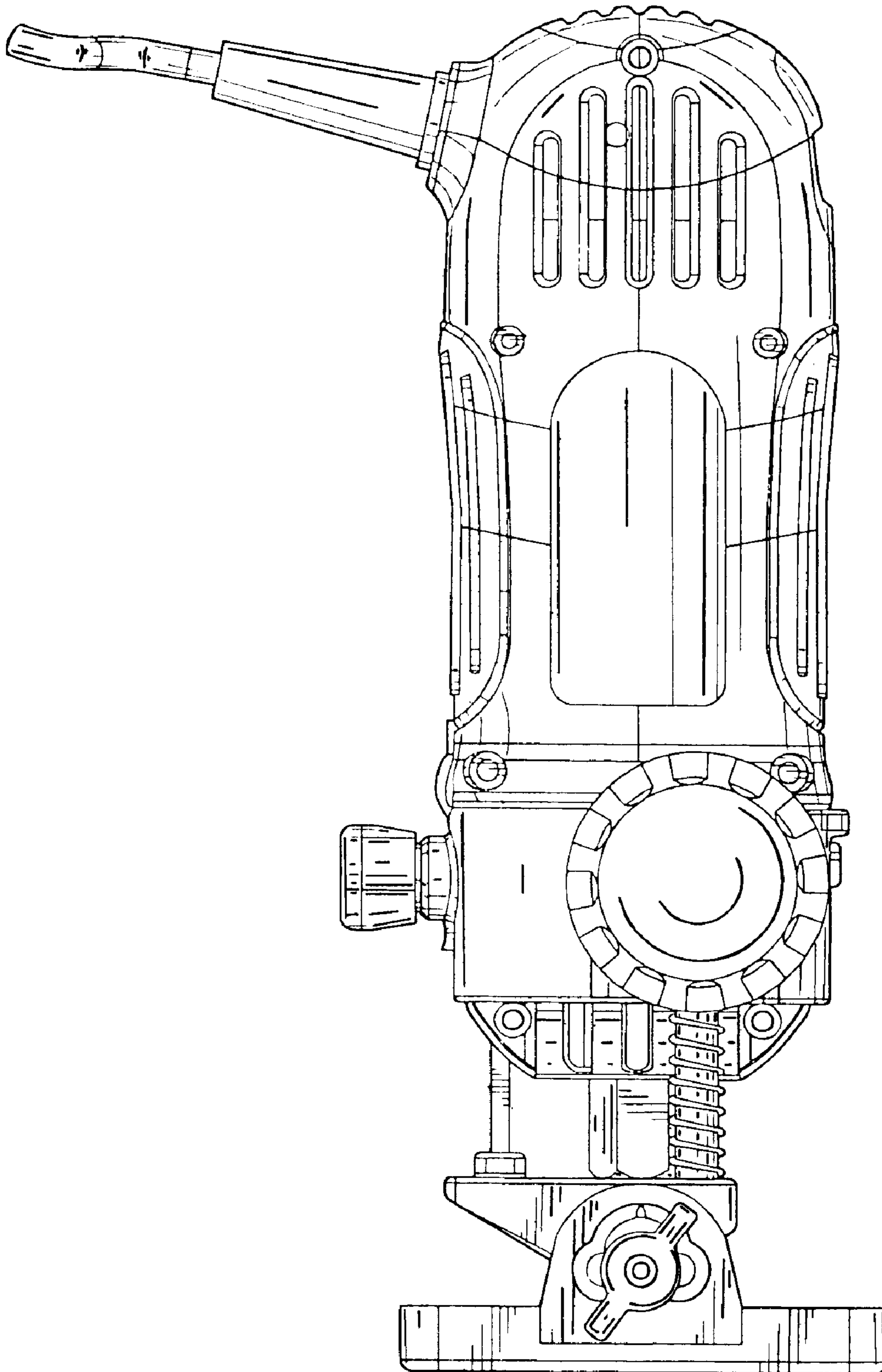


FIG. 5

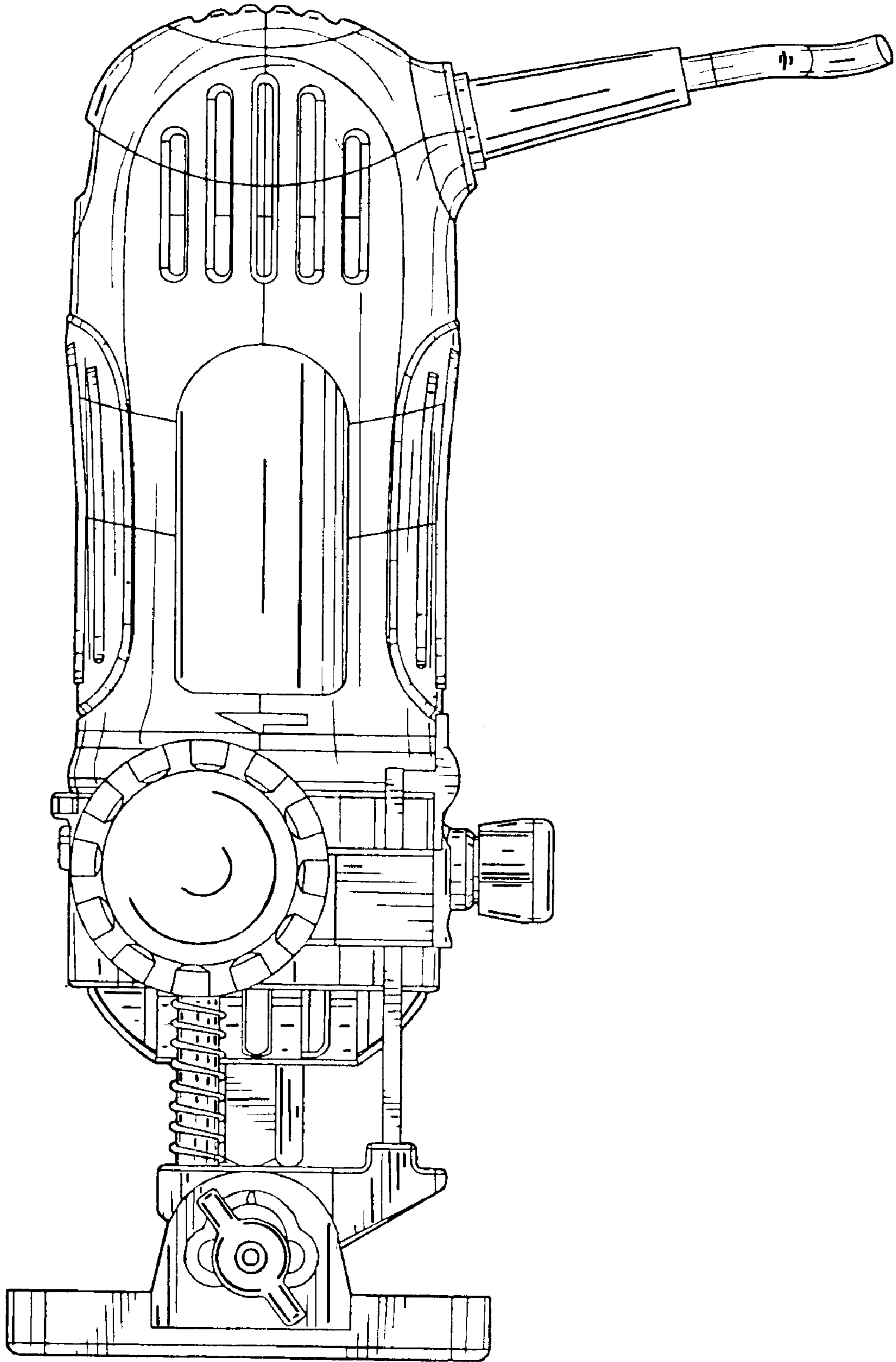


FIG. 6

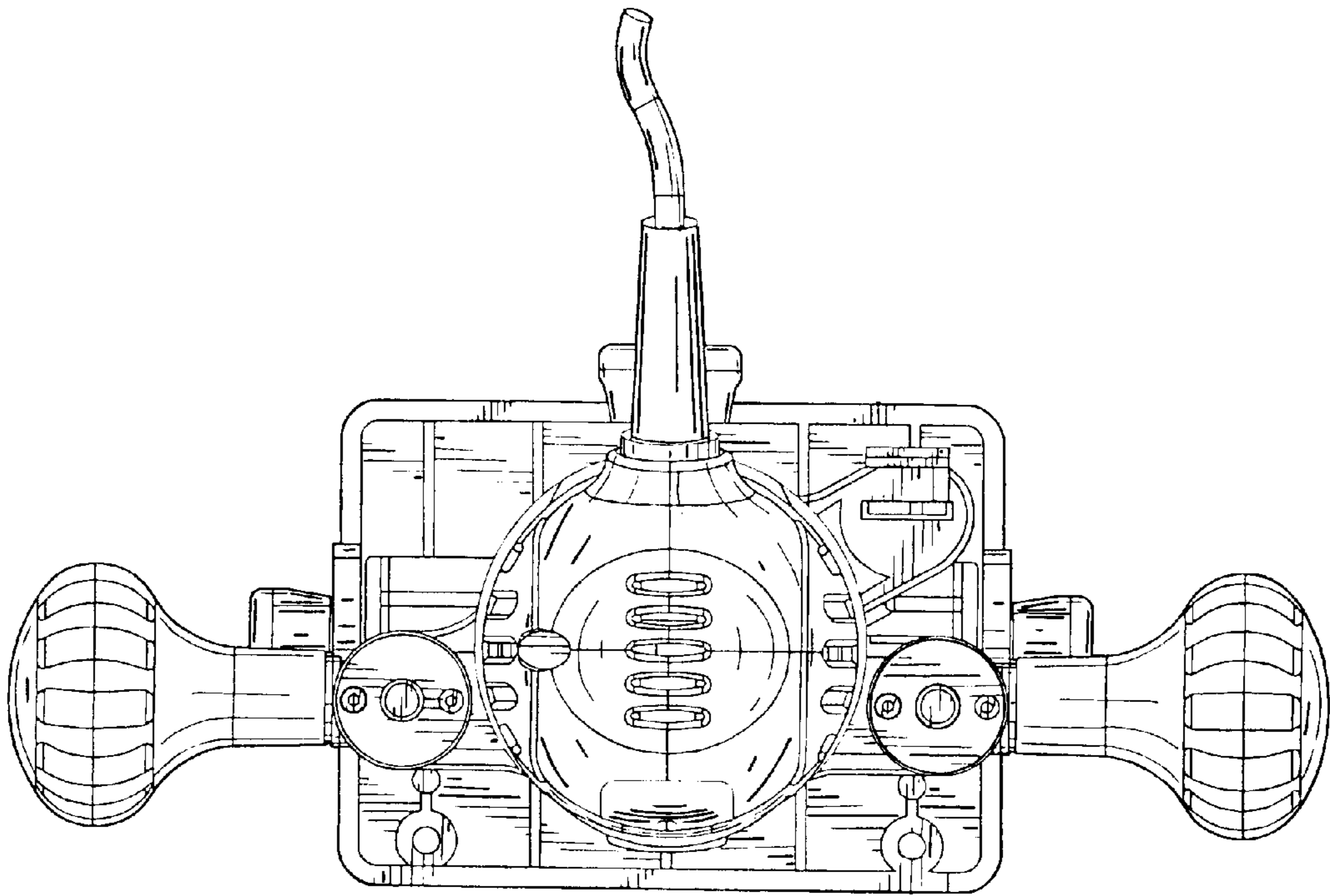


FIG. 7

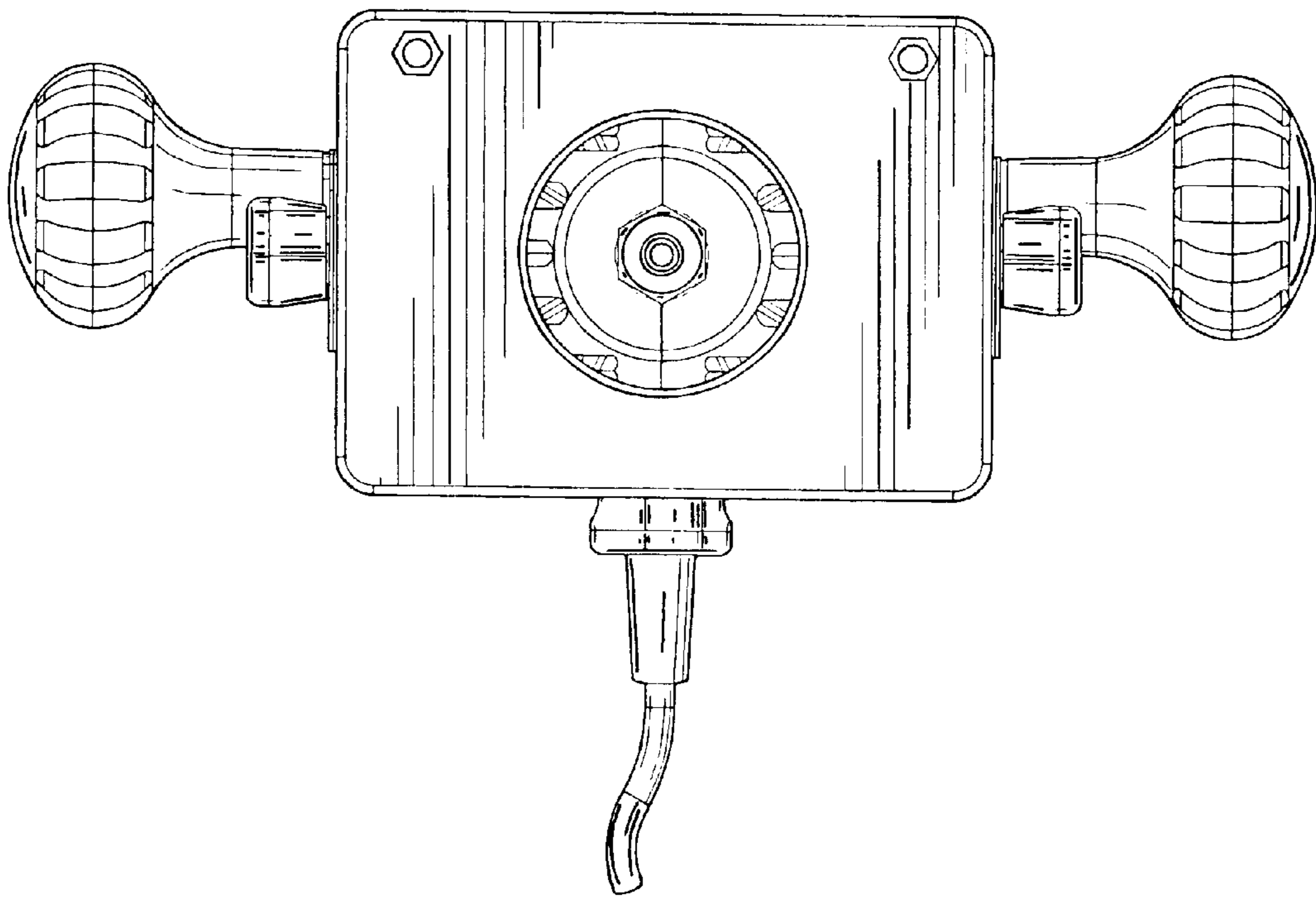


FIG. 8