



US00D477202S

(12) **United States Design Patent**  
**Duennes**

(10) **Patent No.:** **US D477,202 S**

(45) **Date of Patent:** **\*\* Jul. 15, 2003**

(54) **ELECTRIC POWERED ROTARY HAND TOOL**

6,380,502 B1 \* 4/2002 Hirschburger et al. .... 200/548

**OTHER PUBLICATIONS**

(75) Inventor: **Mark D. Duennes**, Glenview, IL (US)

A catalog Dremel® Tools for the Imagination®, Rev. 4, Dremel, Racine, Wisconsin, Nov. 1999.

(73) Assignee: **S-B Power Tool Corporation**, Chicago, IL (US)

\* cited by examiner

(\*\*) Term: **14 Years**

*Primary Examiner*—Doris V. Coles

*Assistant Examiner*—Elizabeth A. Albert

(21) Appl. No.: **29/151,150**

(74) *Attorney, Agent, or Firm*—Victor A. Henzi; Greer, Burns & Crain, Ltd.

(22) Filed: **Nov. 15, 2001**

(57) **CLAIM**

(51) **LOC (7) Cl.** ..... **08-05**

(52) **U.S. Cl.** ..... **D8/61**

(58) **Field of Search** ..... D8/61, 62, 64;  
81/54, 57.11, 57.13, 57.14, 57.29, 57.42;  
173/168, 169, 170, 182, 213, 217; 310/47,  
50; 409/180, 181, 182

The ornamental design for a electric powered rotary hand tool, as shown and described.

**DESCRIPTION**

(56) **References Cited**

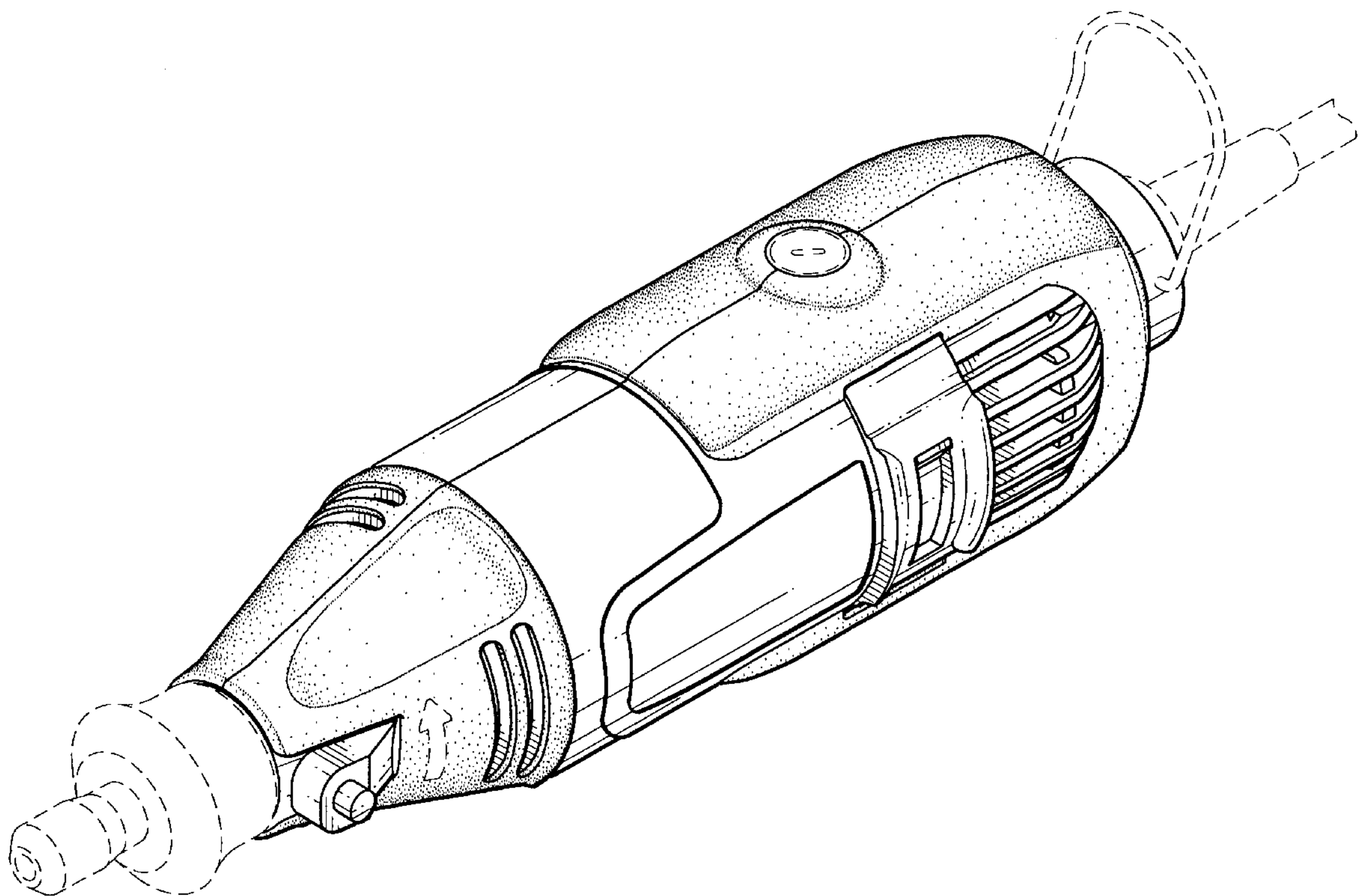
**U.S. PATENT DOCUMENTS**

4,866,319	A	*	9/1989	Crutchfield	.....	451/358
5,298,821	A	*	3/1994	Michel	.....	310/50
D427,038	S	*	6/2000	Lin	.....	D8/61
D427,040	S	*	6/2000	Heun	.....	D8/61
D427,870	S	*	7/2000	Heun	.....	D8/61
D437,758	S	*	2/2001	Heun	.....	D8/61
D446,431	S	*	8/2001	Lui	.....	D8/61
D446,432	S	*	8/2001	Heun	.....	D8/61

FIG. 1 is a right front perspective view of the present new design for an electric powered rotary hand tool;  
FIG. 2 is a right side view thereof;  
FIG. 3 is a left side view thereof;  
FIG. 4 is a top plan view thereof;  
FIG. 5 is a bottom plan view thereof;  
FIG. 6 is a front elevational view thereof; and,  
FIG. 7 is a rear elevational view thereof.

The broken lines showing the cord, the hanger and the chuck and other shapes are for illustrative purposes only and form no part of the claimed design.

**1 Claim, 6 Drawing Sheets**



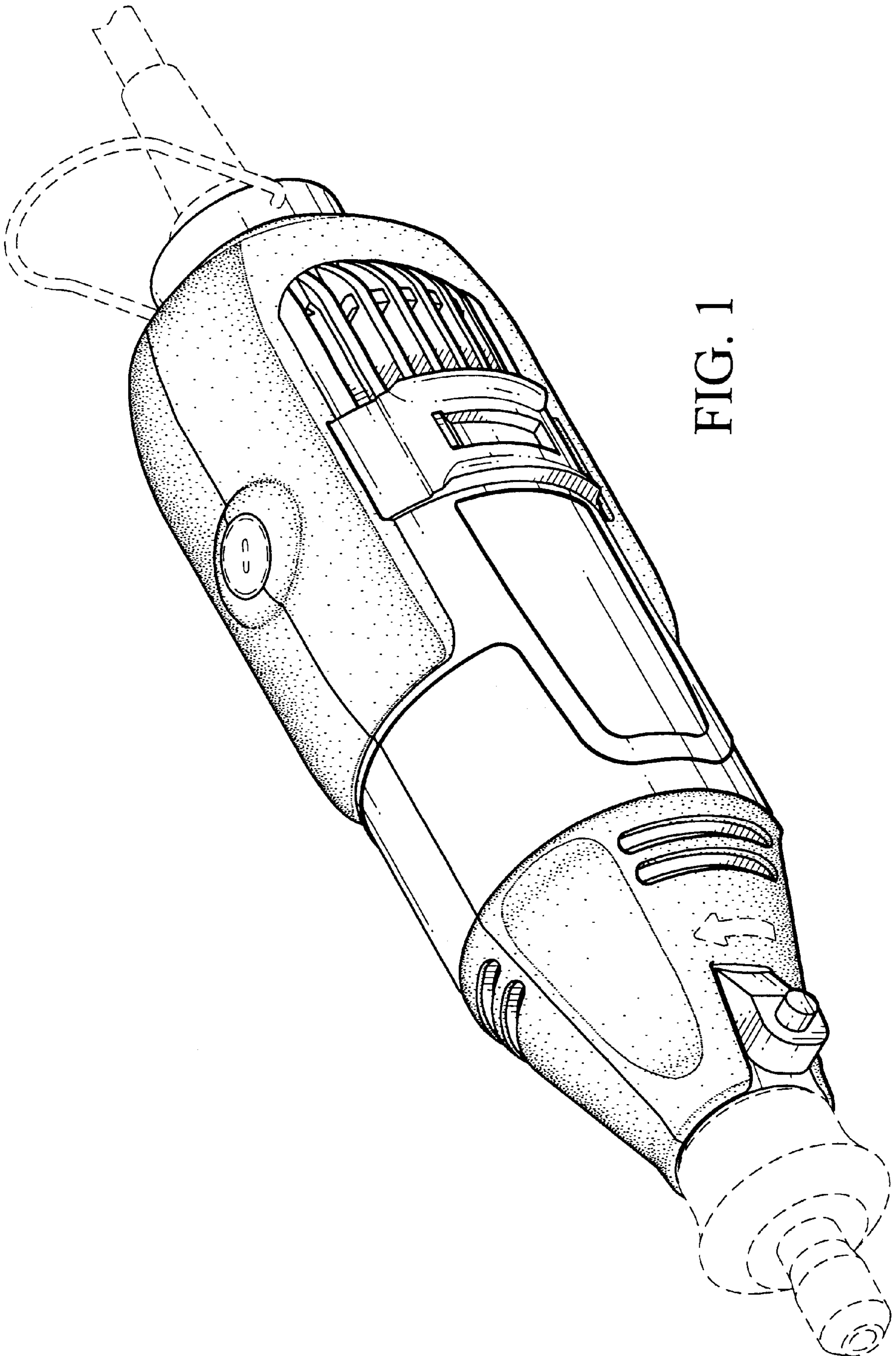


FIG. 1

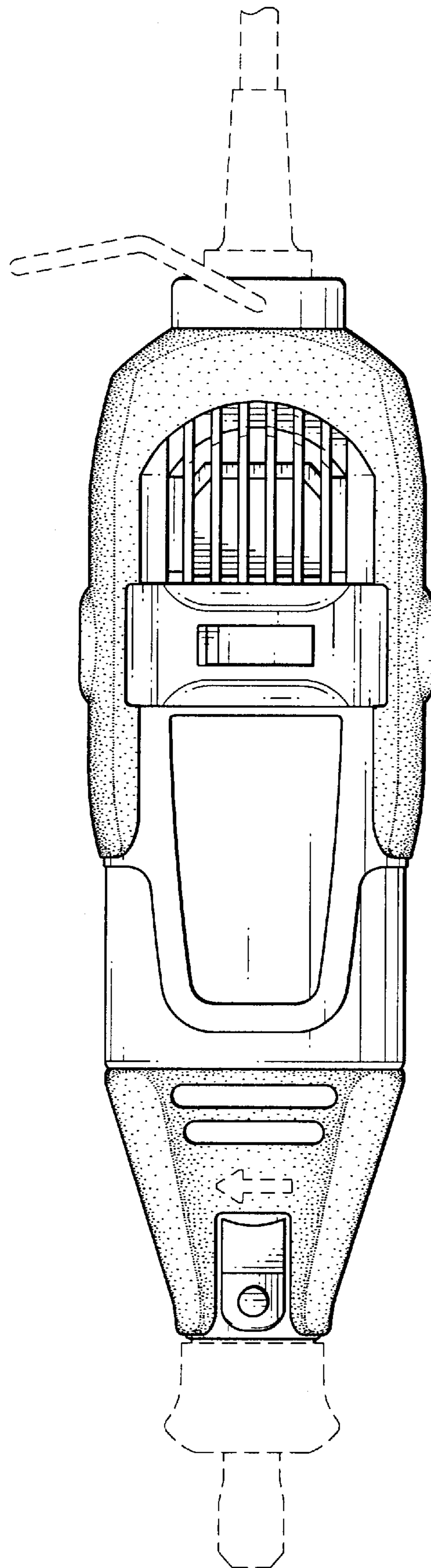


FIG. 2

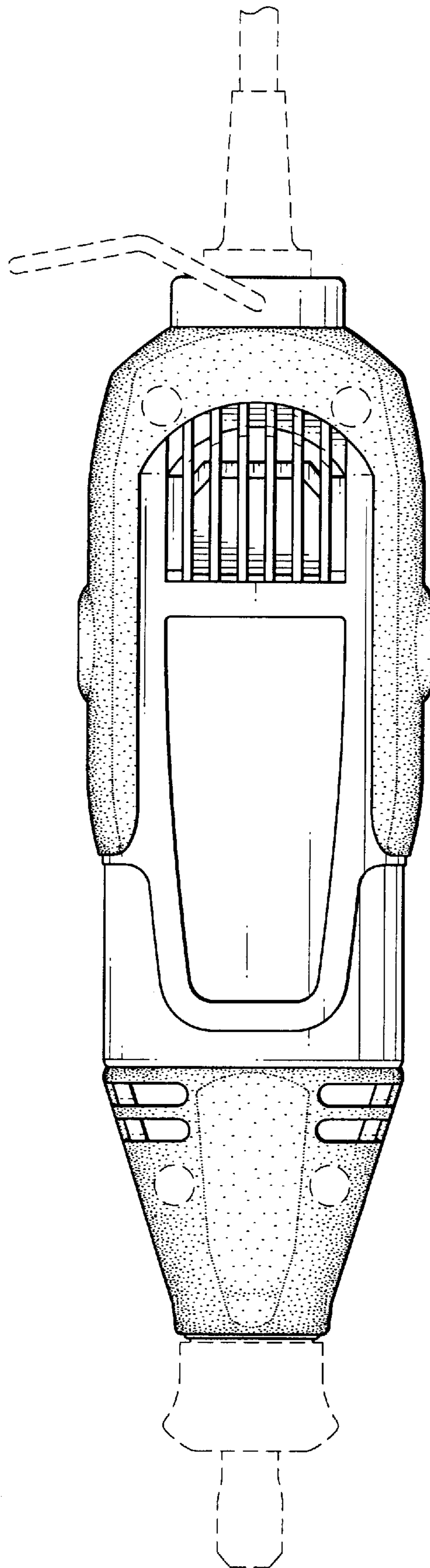


FIG. 3

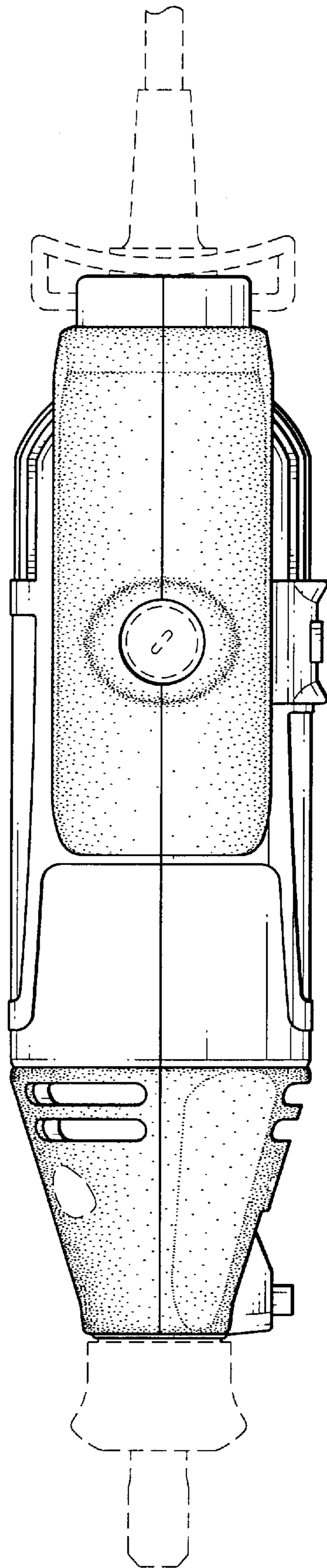


FIG. 4

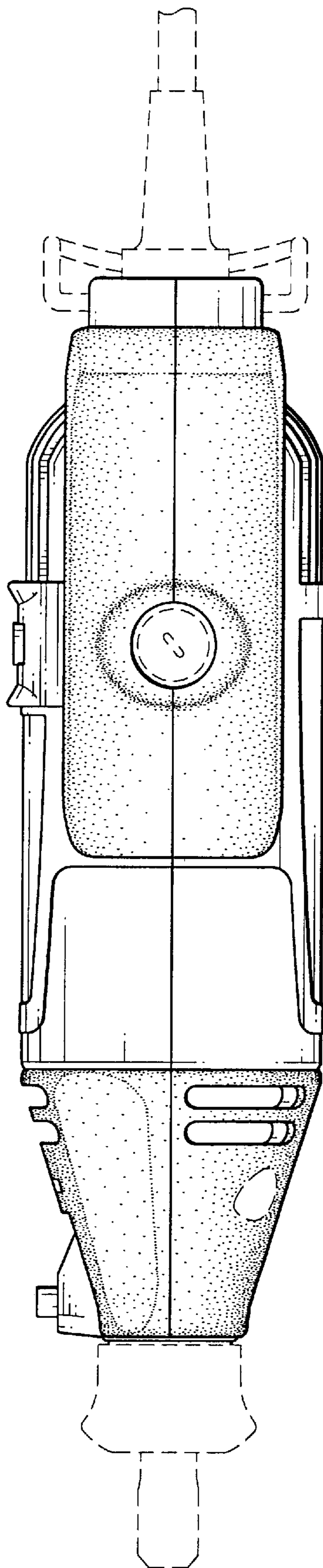


FIG. 5

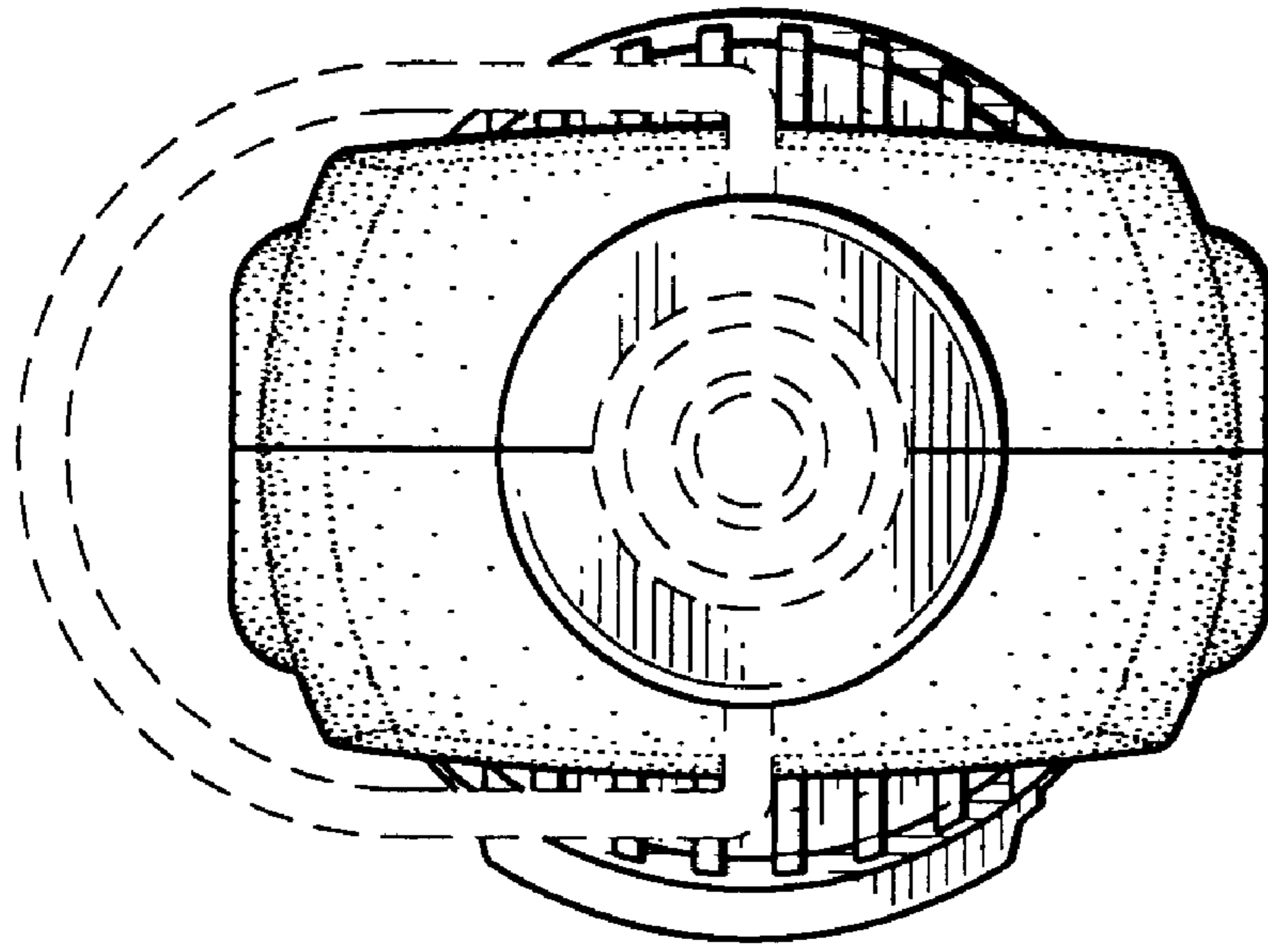


FIG. 6

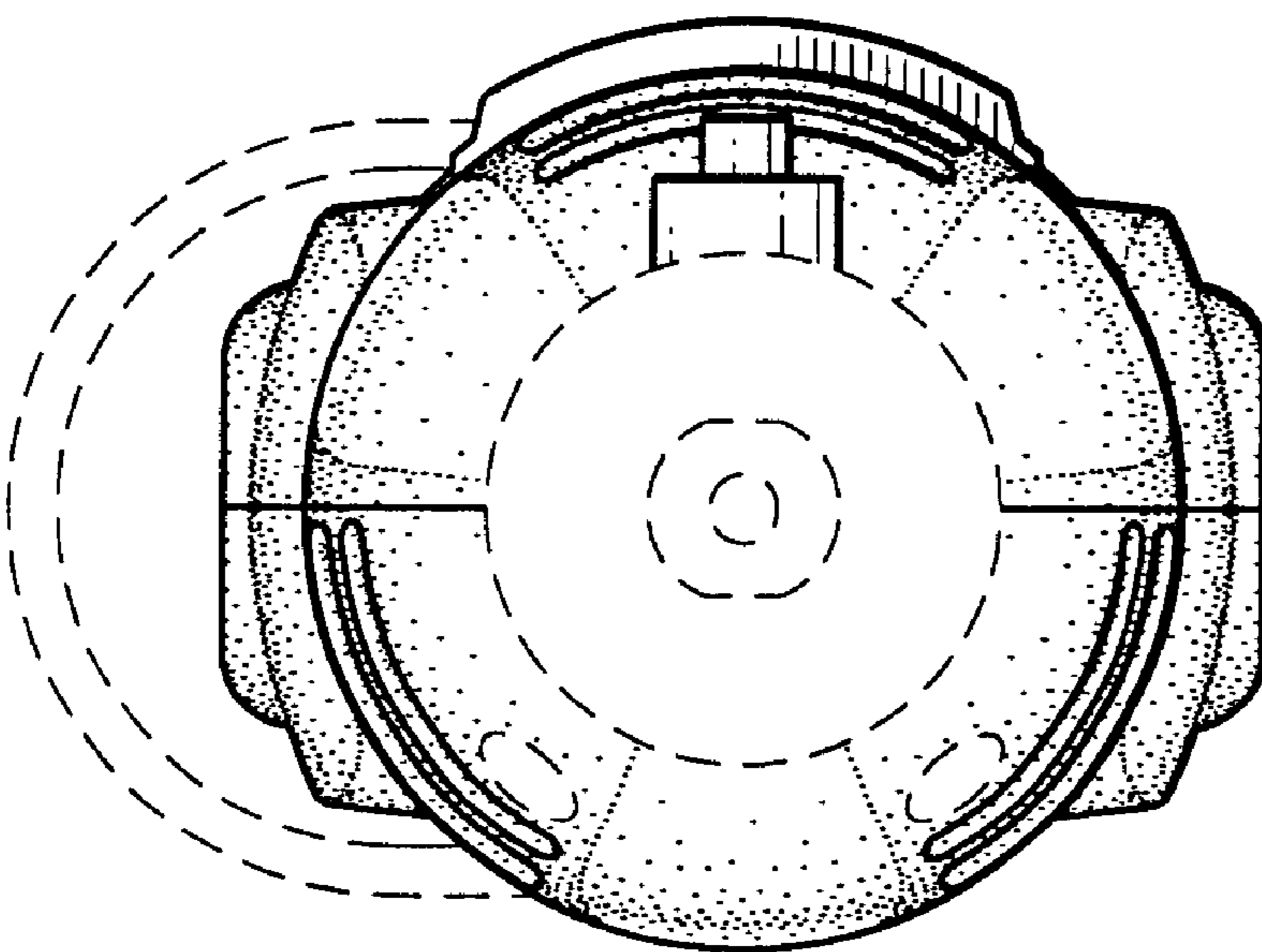


FIG. 7