



US00D477199S

(12) **United States Design Patent**
Moll et al.

(10) **Patent No.:** **US D477,199 S**

(45) **Date of Patent:** **** Jul. 15, 2003**

(54) **HAND OPERATED ELECTRICAL CONTROL**

6,285,003 B1 9/2001 Kleppen et al. 219/132

(76) Inventors: **James E. Moll**, 7454 Rockingham Rd.,
Mentor, OH (US) 44060; **Brent A.**
Moll, 7454 Rockingham Rd., Mentor,
OH (US) 44060

(**) Term: **14 Years**

(21) Appl. No.: **29/158,182**

(22) Filed: **Apr. 1, 2002**

(51) **LOC (7) Cl.** **08-05**

(52) **U.S. Cl.** **D8/30**

(58) **Field of Search** D8/29.1, 29.2,
D8/30, 312; D15/144; 219/132, 121.39,
137.1, 137.7, 137.71, 137.9, 137.63, 144

(56) **References Cited**

U.S. PATENT DOCUMENTS

2,642,515	A	6/1953	Bagg	219/8
2,658,132	A	11/1953	Welch	219/4
3,873,028	A	* 3/1975	Miller	239/413
3,968,341	A	7/1976	Manning	219/132
4,227,066	A	10/1980	Bulwidas, Jr.	219/132
4,510,373	A	4/1985	Cox et al.	219/137.71
4,579,318	A	* 4/1986	Keedy	266/66
D289,967	S	* 5/1987	Green, Jr.	D8/30
D293,546	S	* 1/1988	Turney et al.	D8/30
D297,704	S	* 9/1988	Bulow	D8/30
4,948,942	A	8/1990	Hübel	219/132
6,051,808	A	4/2000	Kleppen	219/132

OTHER PUBLICATIONS

EASB Welding & Cutting Products, "Entitled TC-2B Torch Control," 4-Pg Brochure Florence, SC 29501 Dated Apr. 1996.

Lincoln Electric, "Entitled K963 Hand Amptrol," 4-Pg Brochure Cleveland, OH 44117 Dated Mar. 1996.

Miller Electric Mfg. Co, "Entitled Remote Controls," 2-Pg. Brochure Appleton, WI 54914 Dated Mar. 2000.

* cited by examiner

Primary Examiner—Philip S. Hyder

(74) *Attorney, Agent, or Firm*—David A. Burge

(57) **CLAIM**

We claim the ornamental design for a hand operated electrical control, as shown and described.

DESCRIPTION

FIG. 1 is a perspective view showing front, top and right end portions of our new design;

FIG. 2 is a front side elevational view thereof;

FIG. 3 is a top plan view thereof;

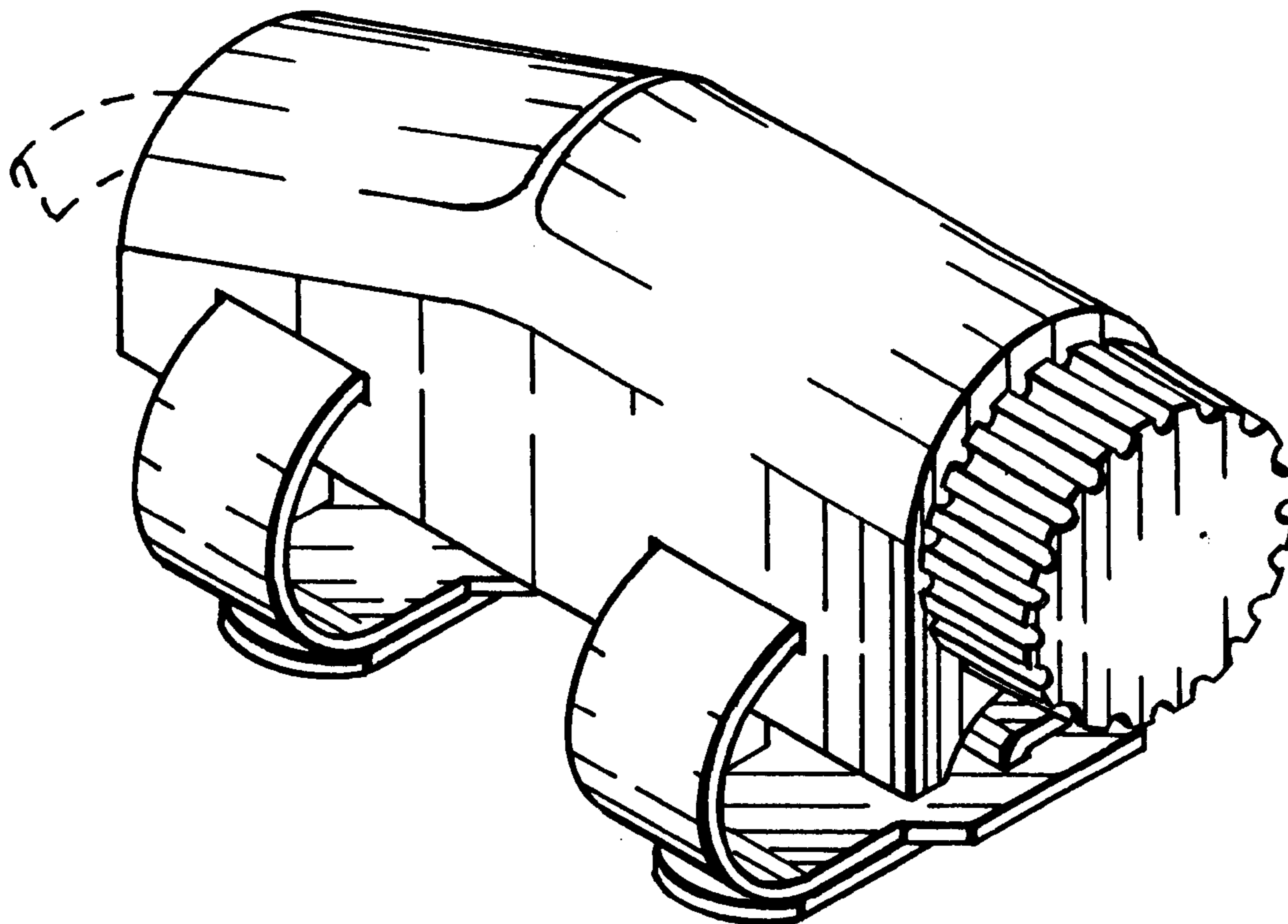
FIG. 4 is a right end elevational view thereof;

FIG. 5 is a left end elevational view thereof; and,

FIG. 6 is a bottom view thereof.

The broken line showing of the environment is for illustrative purposes only and forms no part of the claimed design.

1 Claim, 2 Drawing Sheets



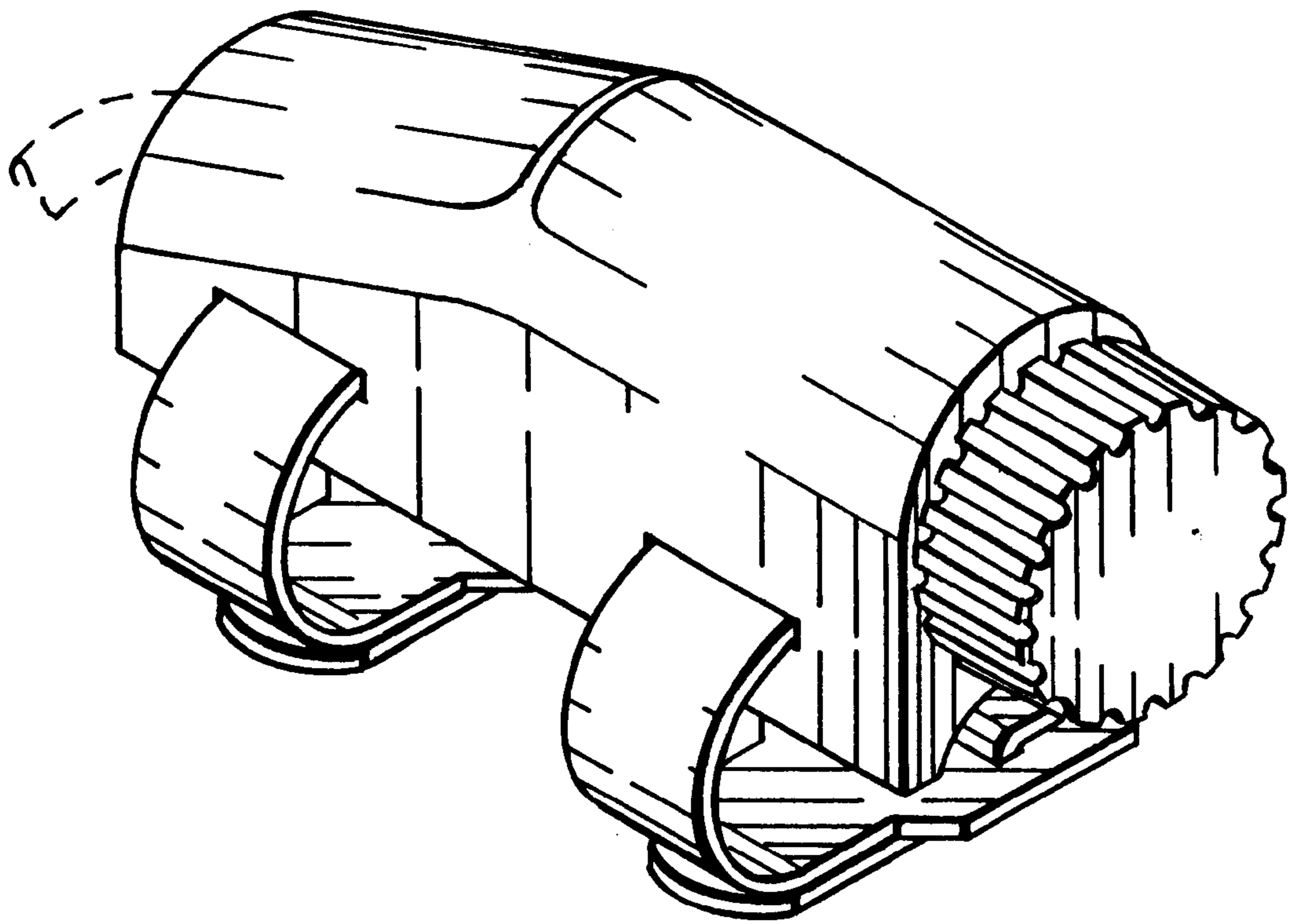


FIG. 1

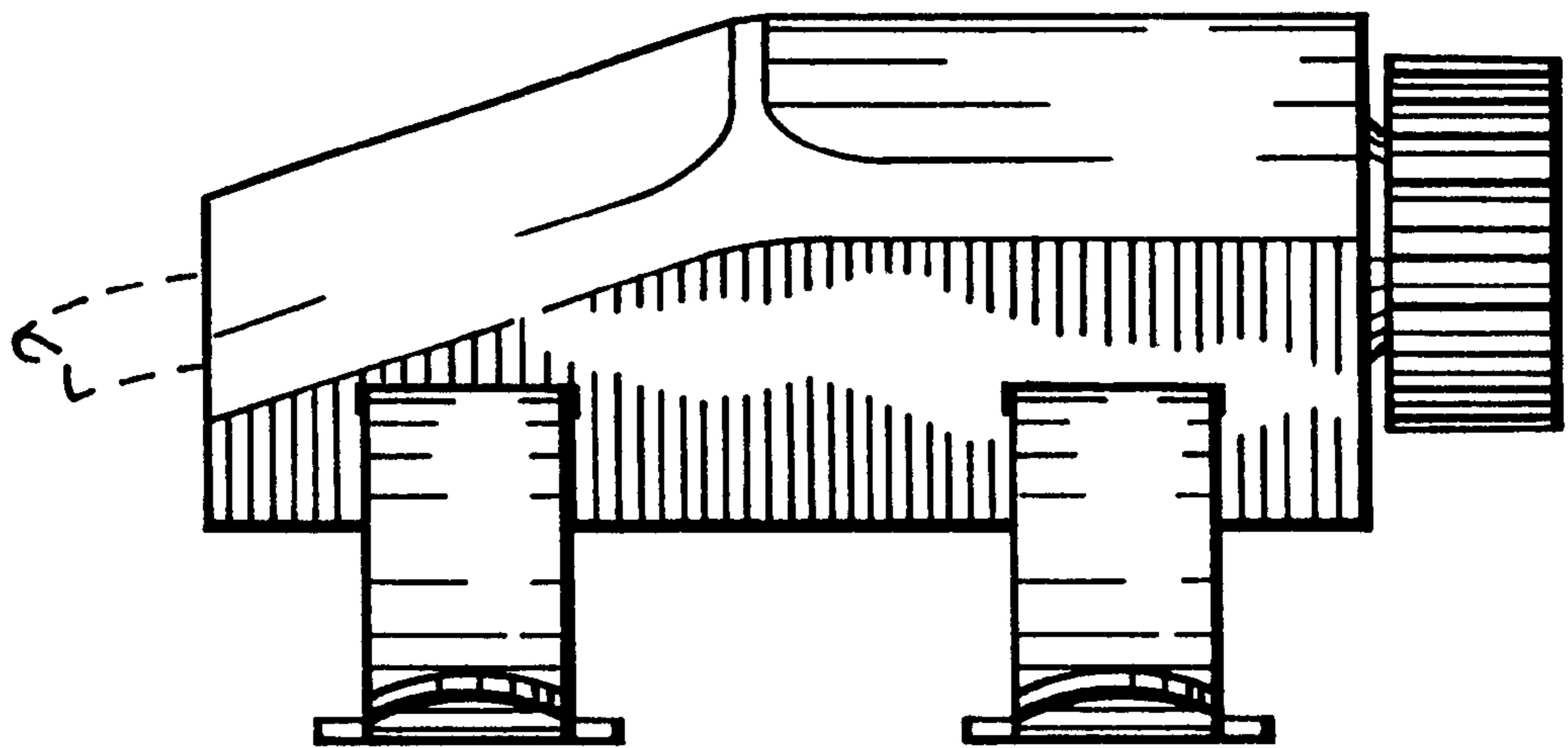


FIG. 2

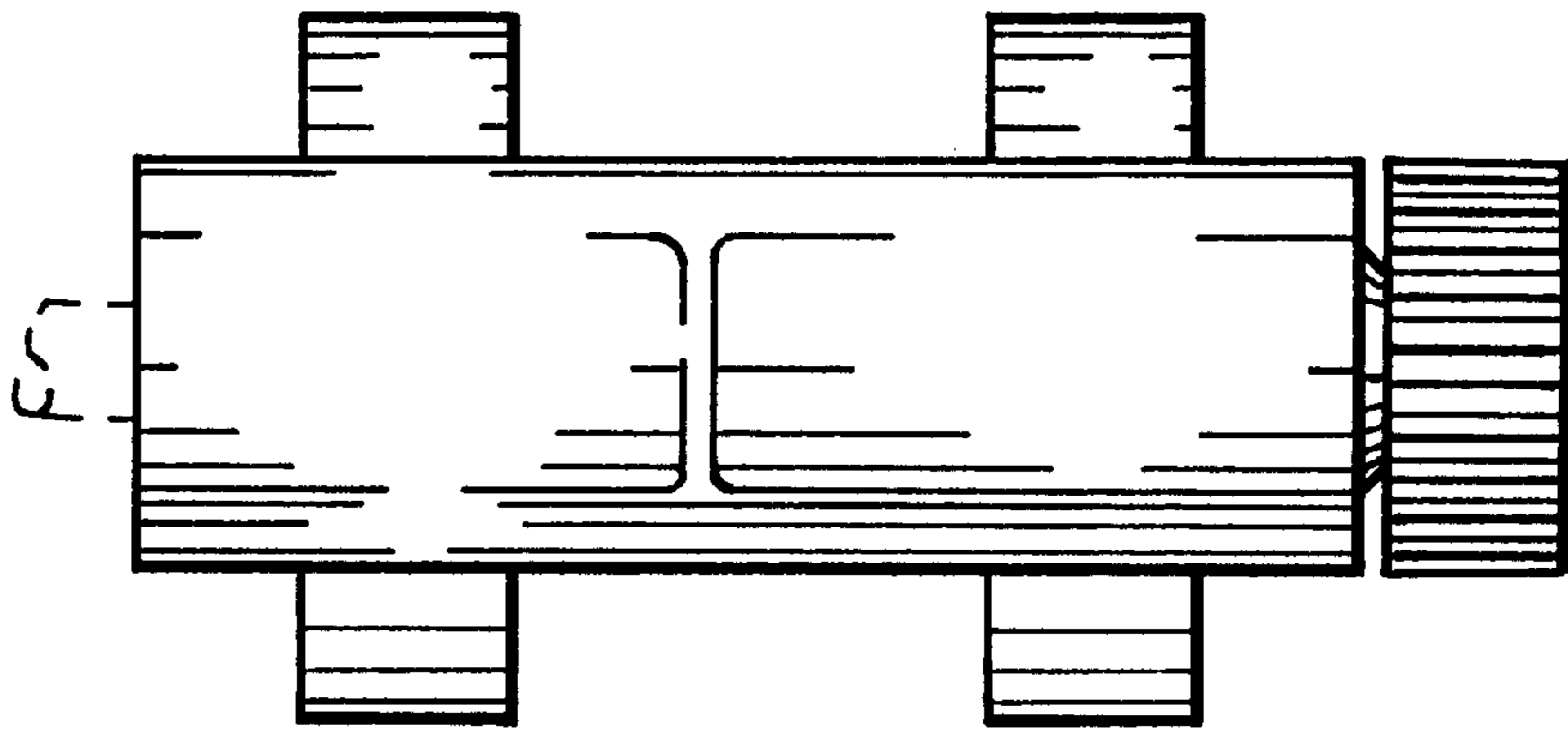


FIG. 3

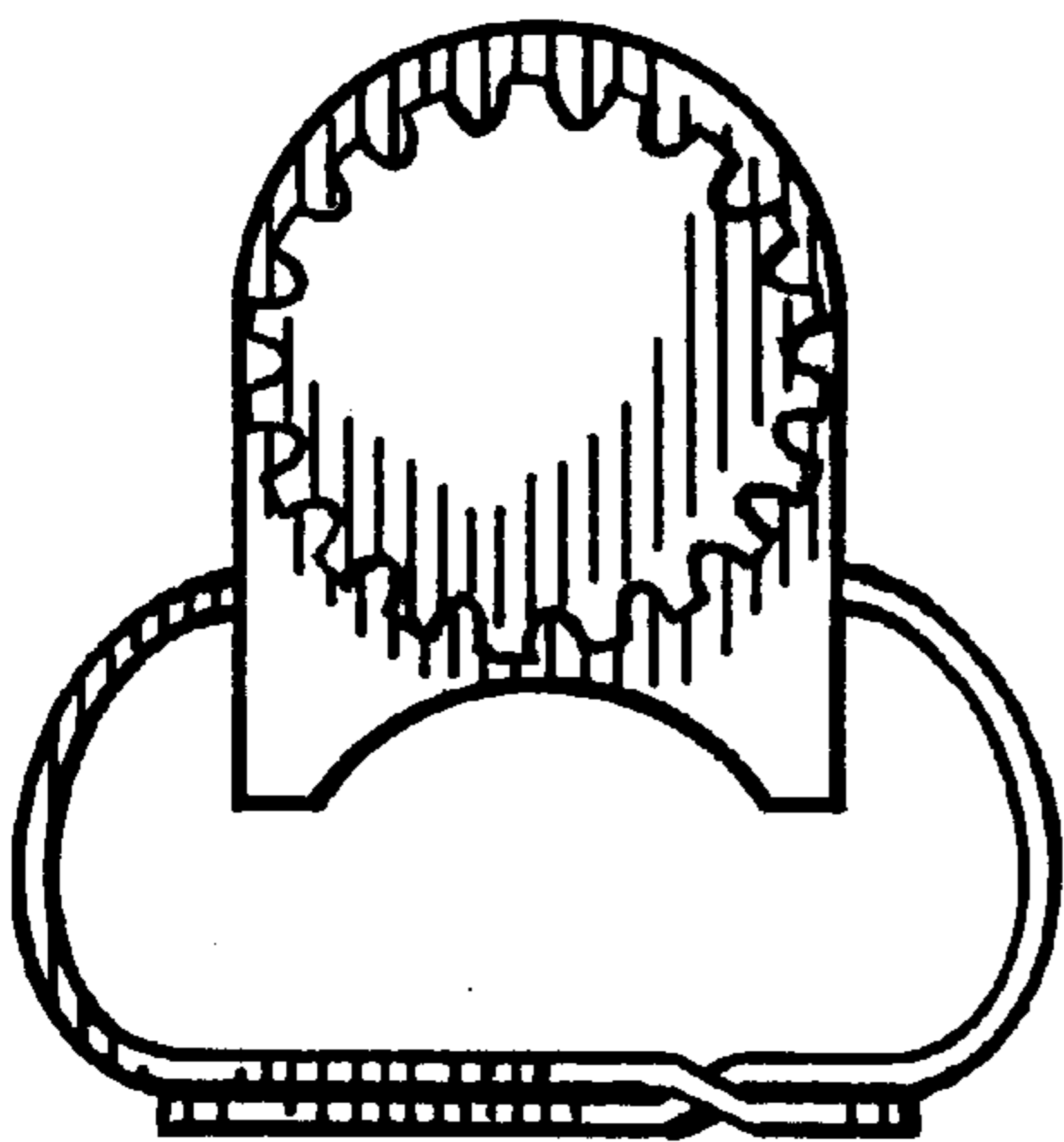


FIG. 4

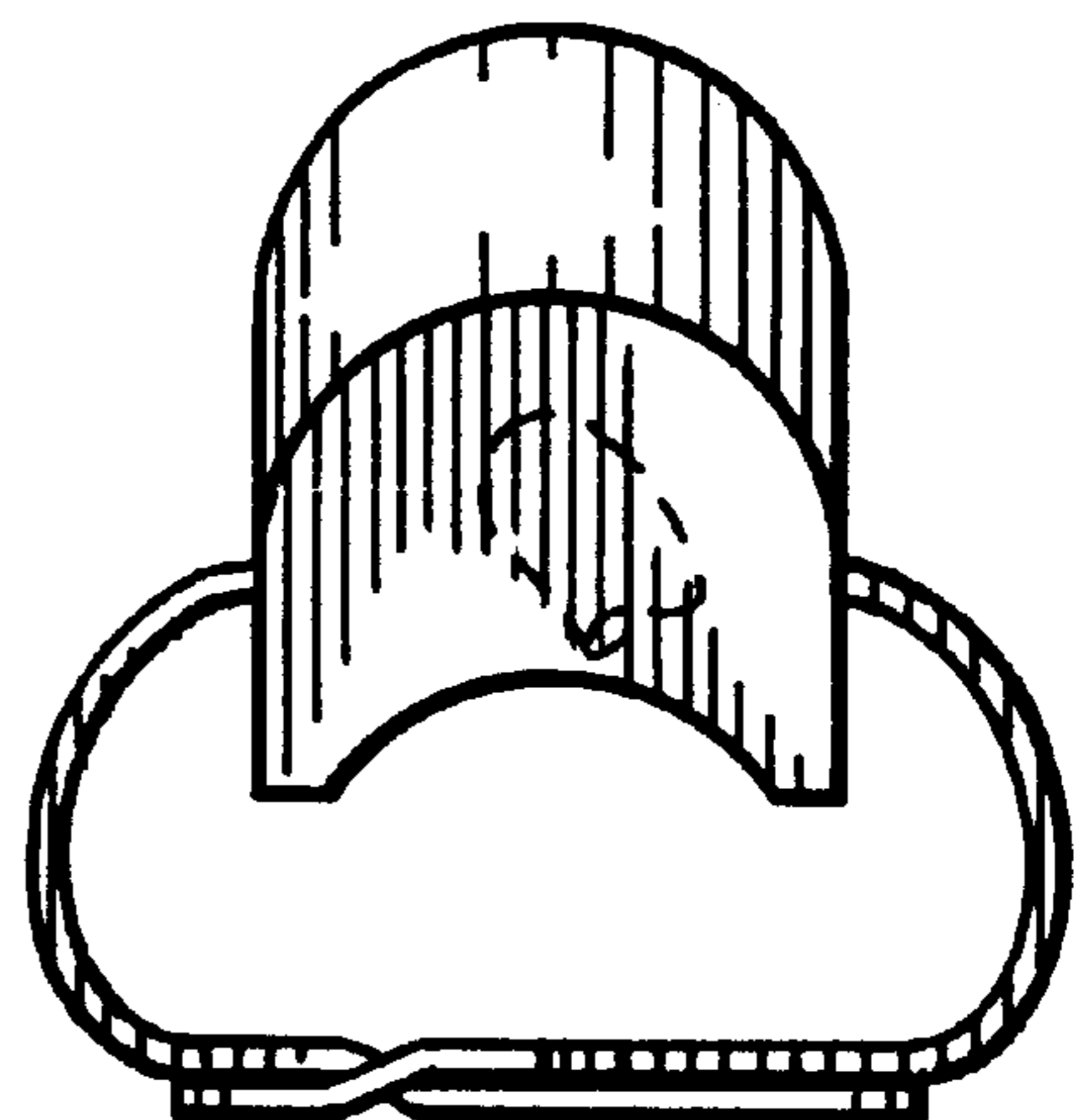


FIG. 5

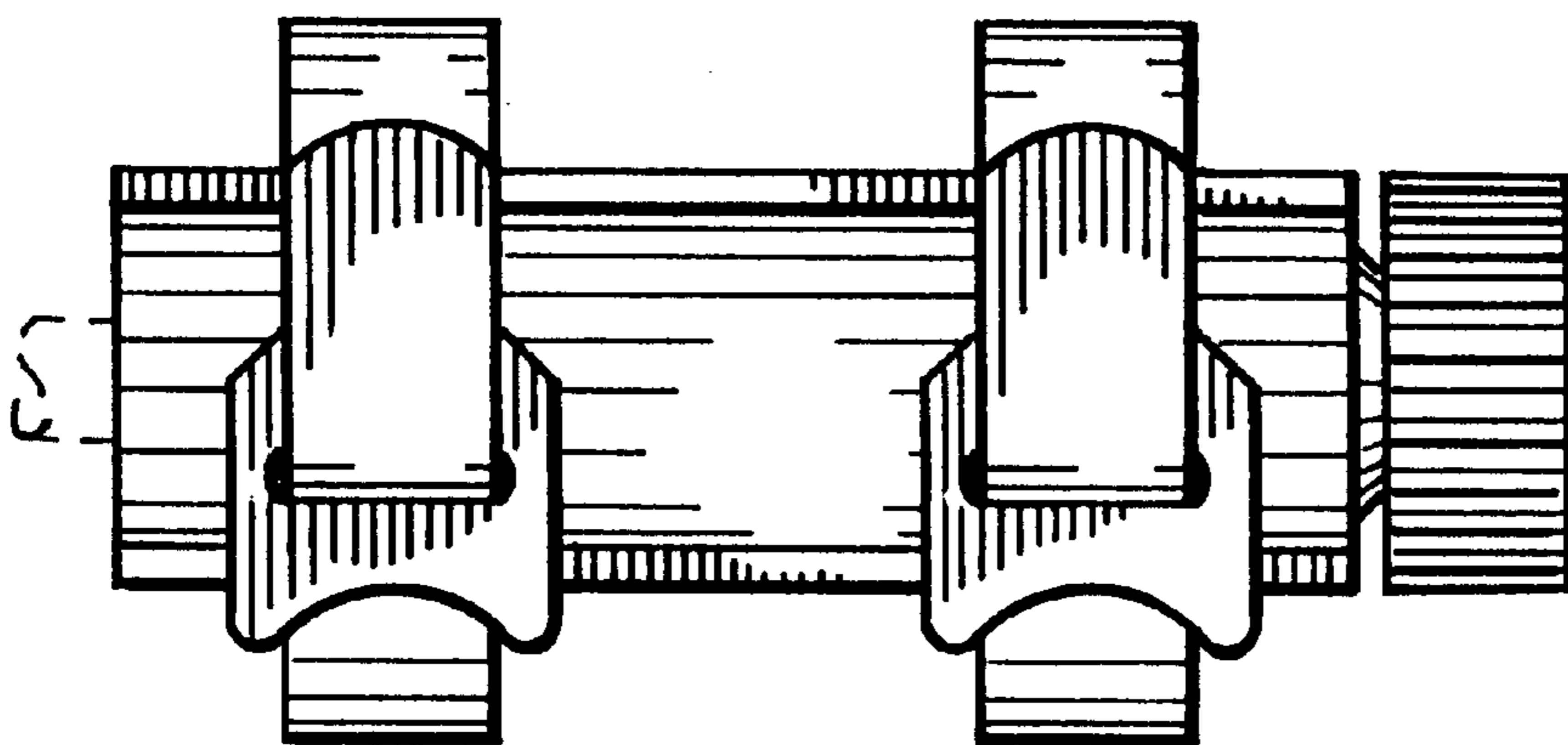


FIG. 6