



US00D477195S

(12) **United States Design Patent**
Stojanovich

(10) **Patent No.:** **US D477,195 S**

(45) **Date of Patent:** **** Jul. 15, 2003**

(54) **RAKE**

(76) Inventor: **Zarko Stojanovich**, 6215 Silverton Way, Carmichael, CA (US) 95608

(**) Term: **14 Years**

(21) Appl. No.: **29/172,041**

(22) Filed: **Dec. 3, 2002**

(51) **LOC (7) Cl.** **08-01**

(52) **U.S. Cl.** **D8/13**

(58) **Field of Search** D8/13; 172/375, 172/376, 378, 381, 21; 56/400.06, 400.07, 400.21; 294/49, 51, 55.5, 57; 403/301

(56) **References Cited**

U.S. PATENT DOCUMENTS

D47,021	S	*	3/1915	Bruce	D8/13
2,794,689	A	*	6/1957	Rubrum	403/301
D198,699	S	*	7/1964	Hill	D8/13
D281,387	S	*	11/1985	Kolb	D8/13
5,813,471	A	*	9/1998	Ramsey	172/21
						* cited by examiner

Primary Examiner—Pamela Burgess
(74) *Attorney, Agent, or Firm*—R. Michael West

(57) **CLAIM**

The ornamental design for a rake, as shown and described.

DESCRIPTION

FIG. 1 is a left front perspective of a rake, showing my new design;

FIG. 2 is a front elevational view thereof;

FIG. 3 is a top plan view, thereof;

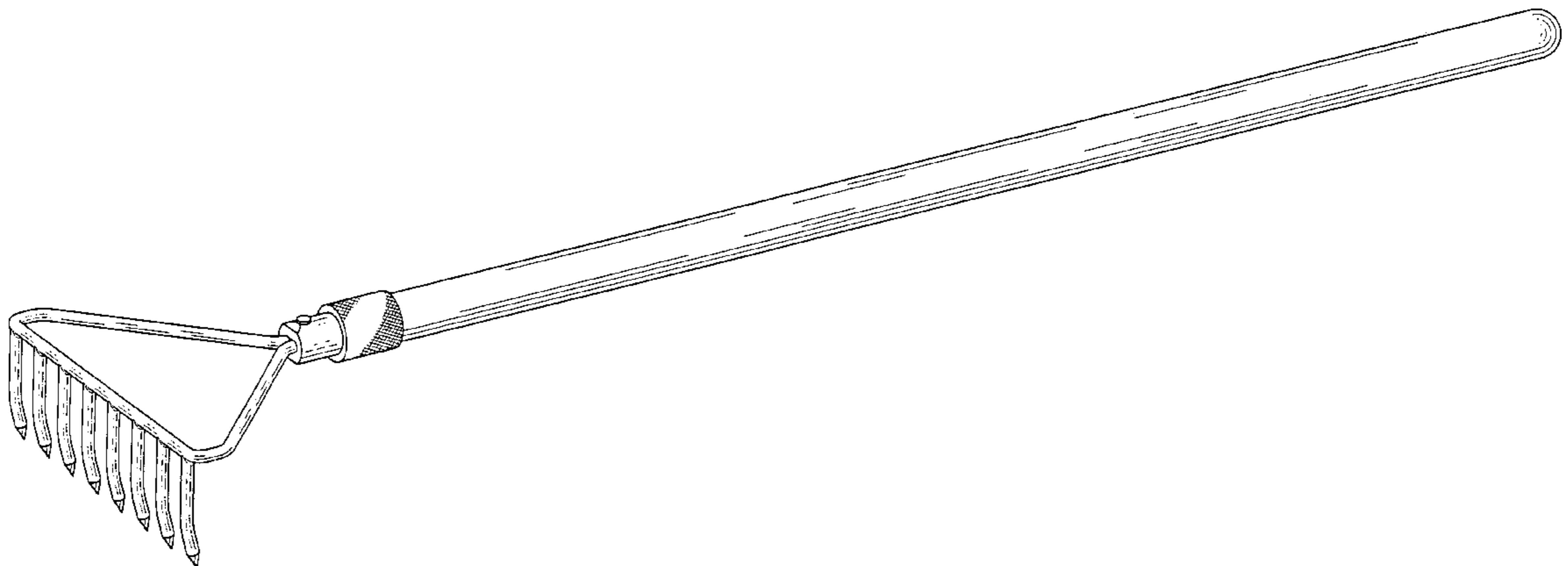
FIG. 4 is a side elevational view, the opposite side elevational view being substantially a mirror image, thereof;

FIG. 5 is a rear elevational view, thereof;

FIG. 6 is a bottom plan view, thereof.; and,

FIG. 7 is a left front perspective view thereof, with the handle in an alternate extended position. Said handle is shown fragmented for ease of illustration.

1 Claim, 2 Drawing Sheets



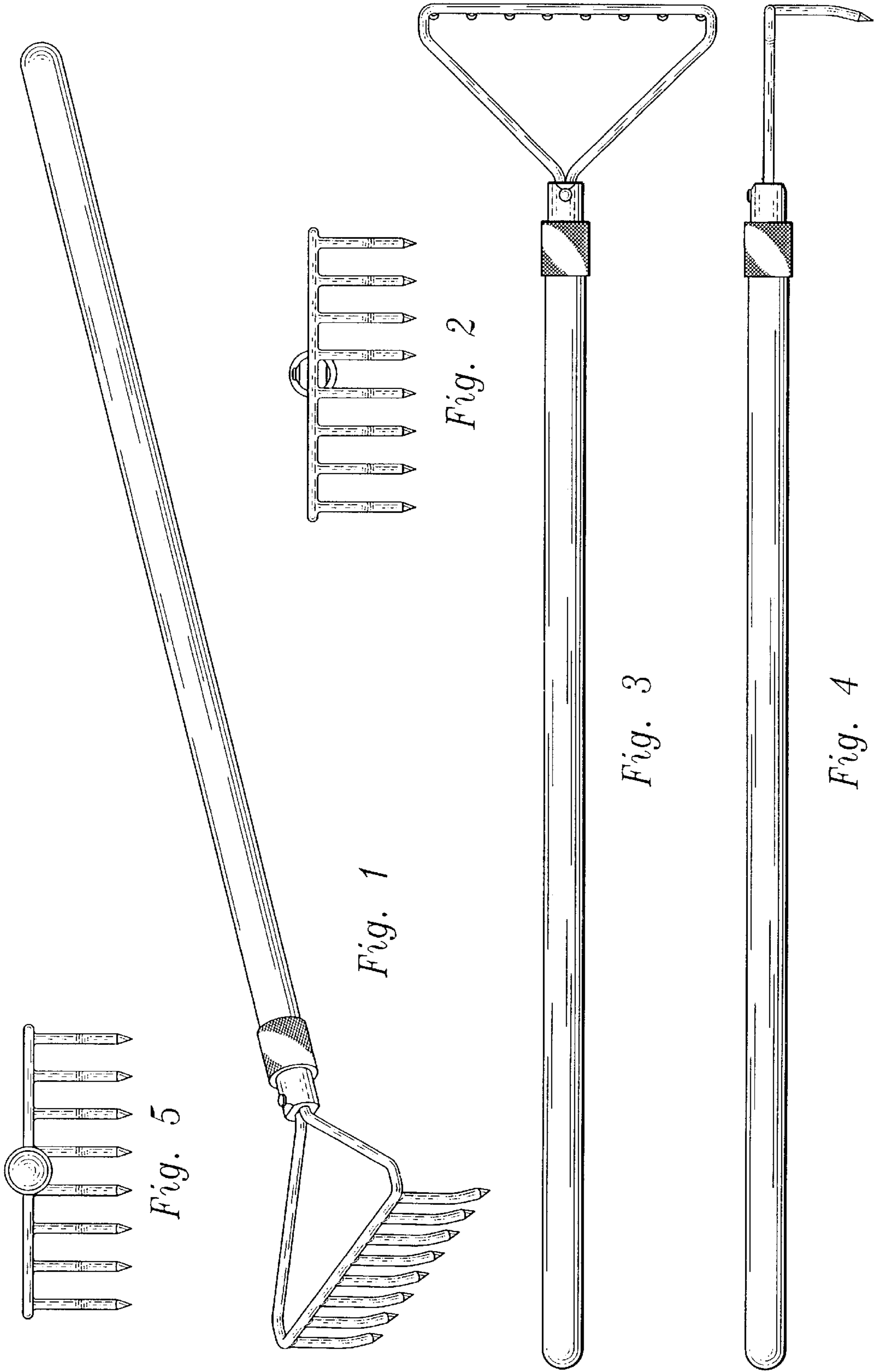


Fig. 5

Fig. 1

Fig. 2

Fig. 3

Fig. 4

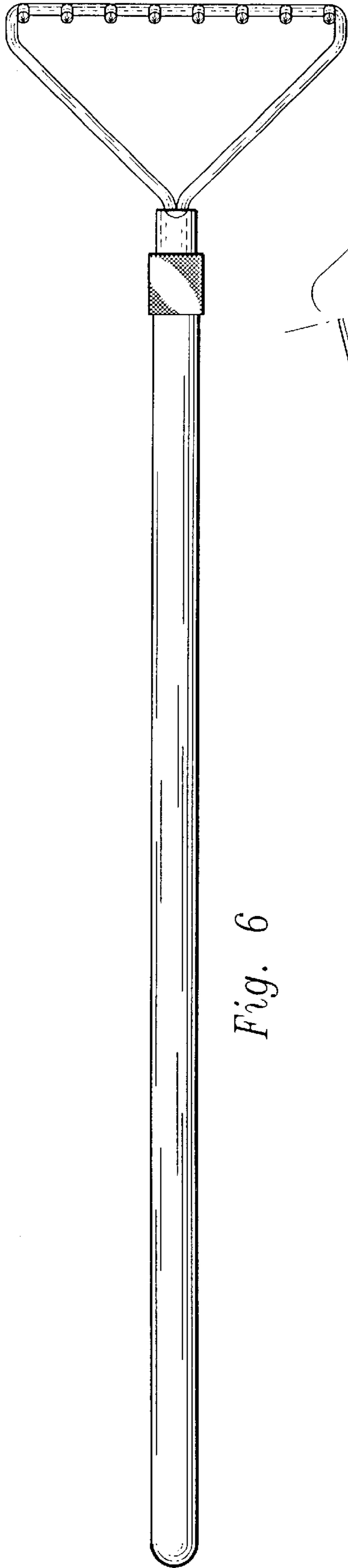


Fig. 6

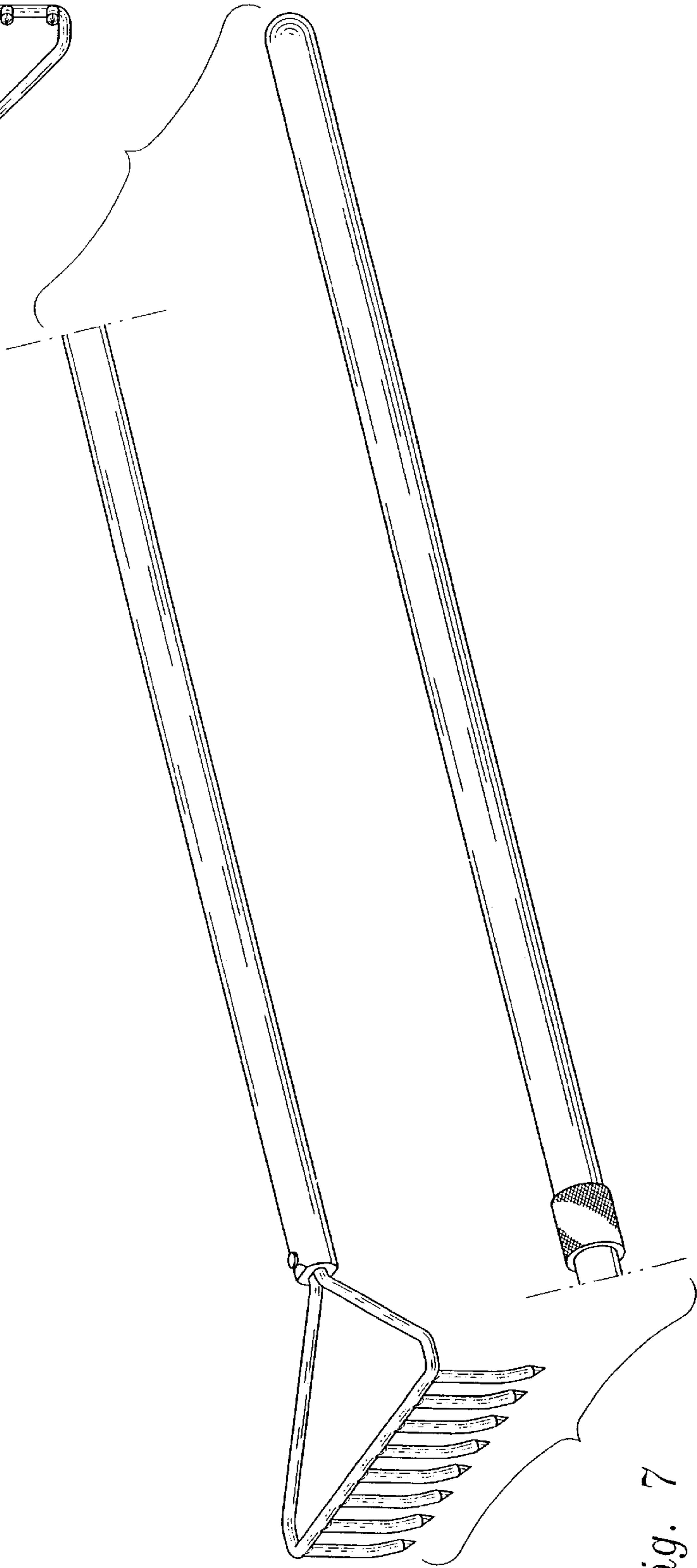


Fig. 7