



US00D477194S

(12) **United States Design Patent**
Markley

(10) **Patent No.:** **US D477,194 S**

(45) **Date of Patent:** **** Jul. 15, 2003**

(54) **SNOW PUSHER SHOVEL**

(75) Inventor: **Kevin J. Markley**, Joliet, IL (US)

(73) Assignee: **Suncast Corporation**, Batavia, IL (US)

(**) Term: **14 Years**

(21) Appl. No.: **29/173,022**

(22) Filed: **Dec. 20, 2002**

(51) **LOC (7) Cl.** **08-01**

(52) **U.S. Cl.** **D8/10**

(58) **Field of Search** D8/10, 1; 294/57,
294/54.5, 56, 53.5; 37/265, 285, 284

(56) **References Cited**

U.S. PATENT DOCUMENTS

5,419,600	A	*	5/1995	Tisbo et al.	294/54.5
D363,353	S	*	10/1995	Vellrath et al.	D24/219
D392,521	S	*	3/1998	Tisbo et al.	D8/10
5,727,830	A	*	3/1998	Asher	294/54.5
5,826,930	A	*	10/1998	Whitehead et al.	294/54.5
D417,825	S	*	12/1999	Tisbo et al.	D8/10
6,003,916	A	*	12/1999	Chalmers	294/54.5

* cited by examiner

Primary Examiner—Pamela Burgess

(74) *Attorney, Agent, or Firm*—McHale & Slavin, P.A.

(57) **CLAIM**

The ornamental design for a snow pusher shovel, as shown and described.

DESCRIPTION

FIG. 1 is a perspective view of the snow pusher shovel of the invention taken from the front and left;

FIG. 2 is a front elevational view of the snow pusher shovel of FIG. 1;

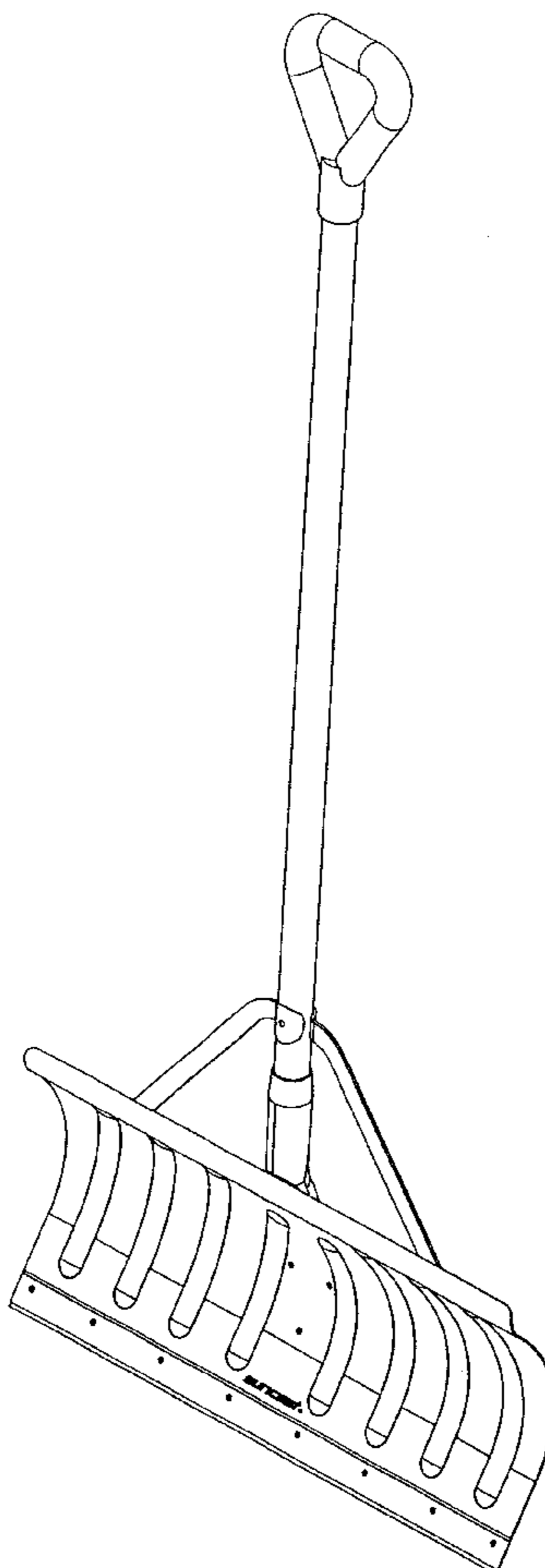
FIG. 3 is a rear elevational view of the snow pusher shovel of FIG. 1;

FIG. 4 is a top plan view of the snow pusher shovel of FIG. 1;

FIG. 5 is a bottom plan view of the snow pusher shovel of FIG. 1; and,

FIG. 6 is a left side view of the snow pusher shovel of FIG. 1, the opposite side being substantially a mirror image thereof.

1 Claim, 4 Drawing Sheets



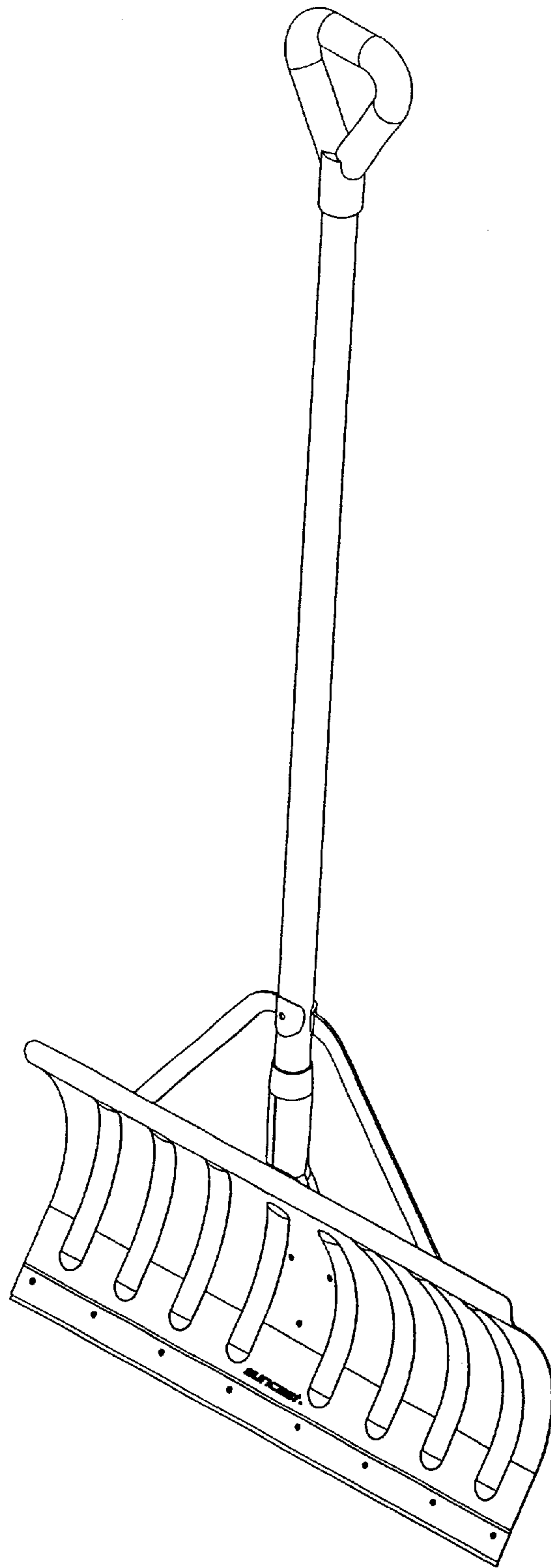


FIG. 1

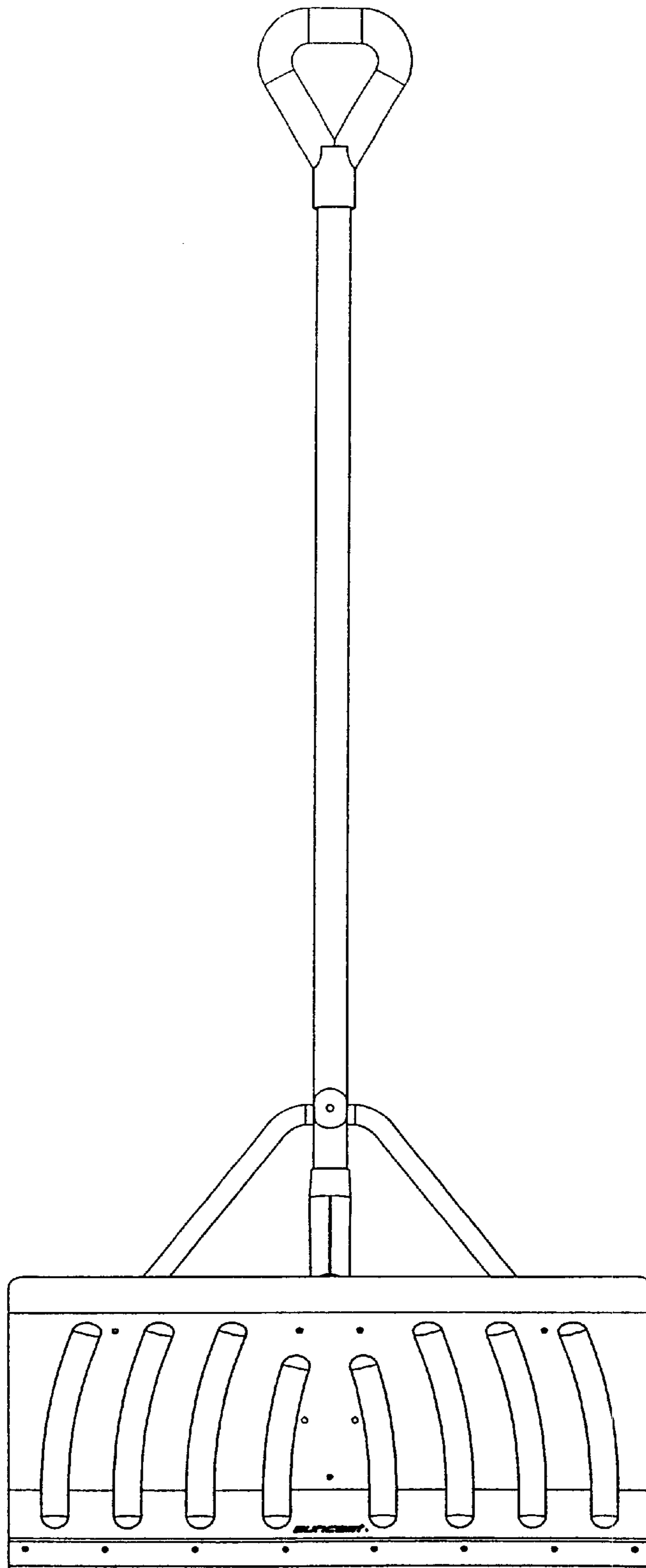


FIG. 2

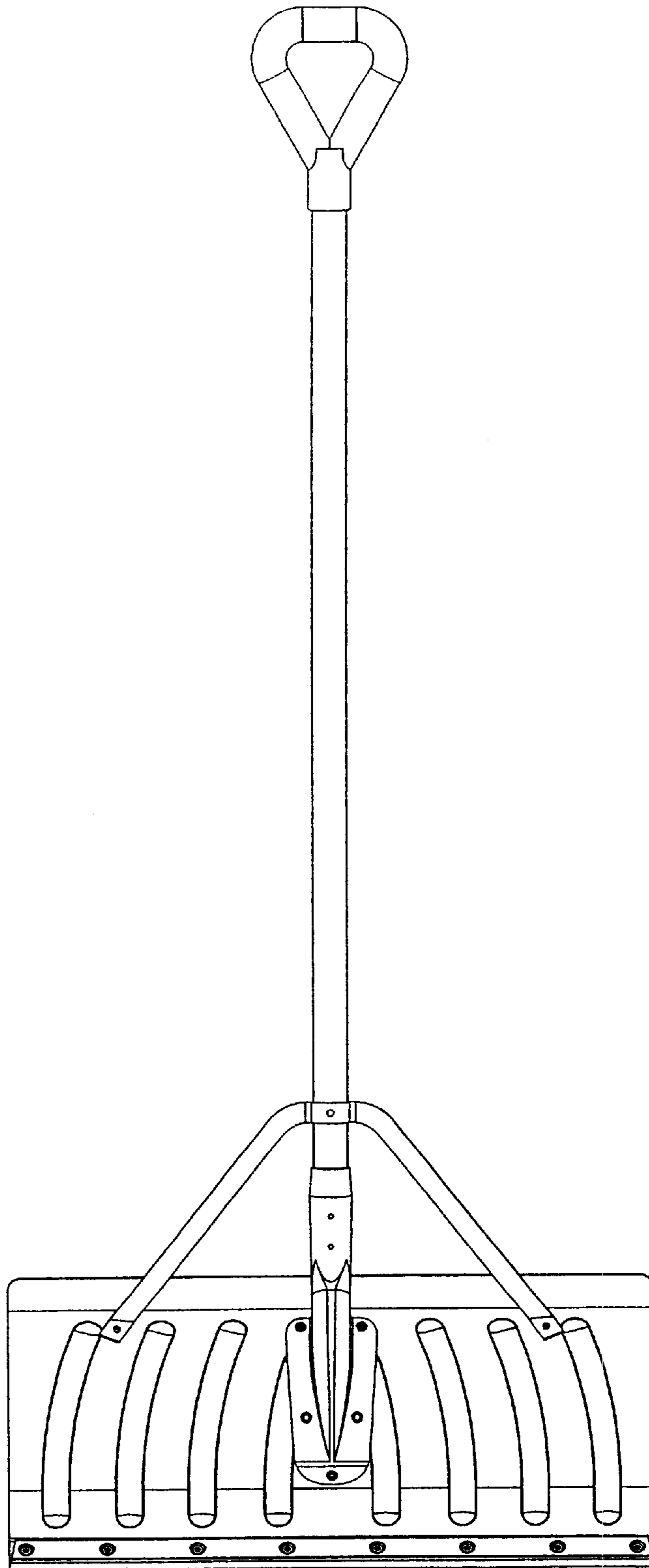


FIG. 3

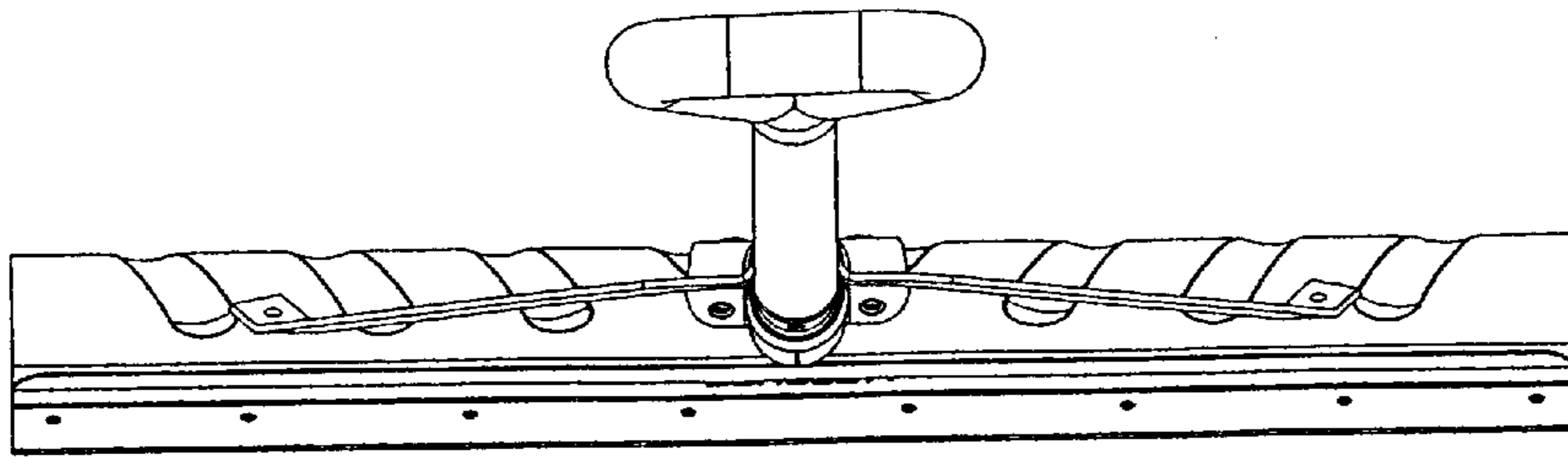


FIG. 4

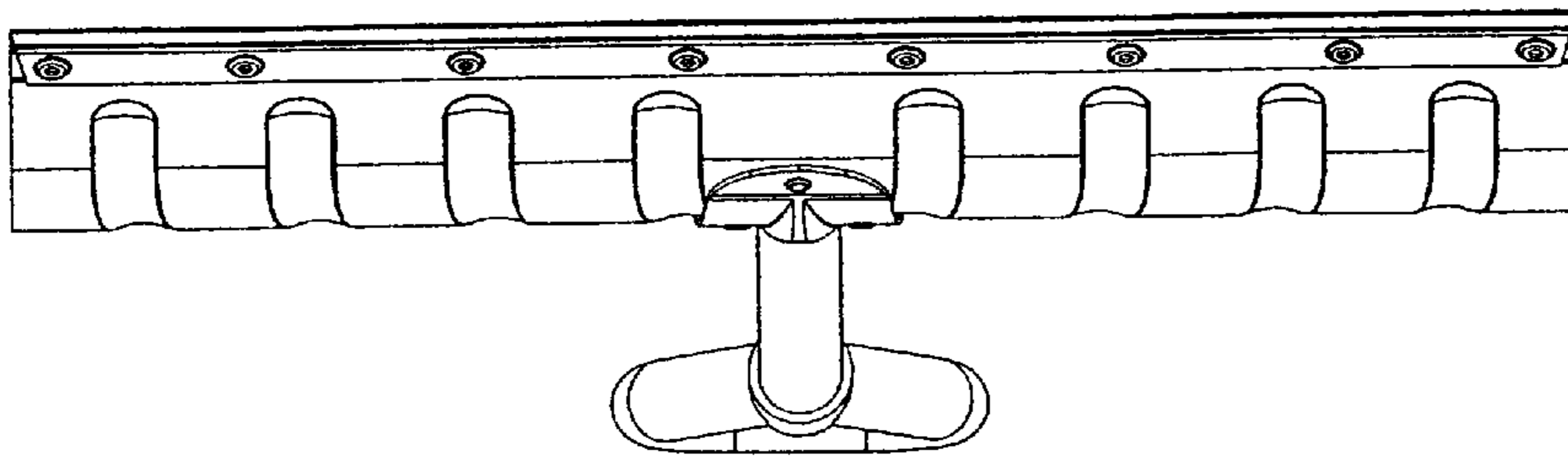


FIG. 5

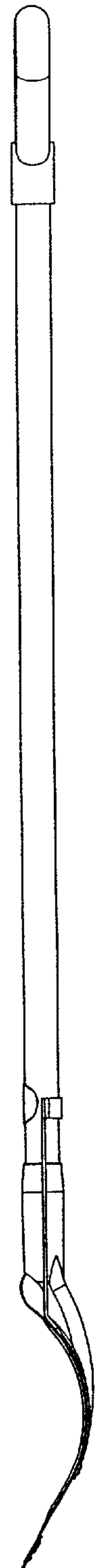


FIG. 6