



US00D477192S

(12) **United States Design Patent**  
**Bull et al.**

(10) **Patent No.:** **US D477,192 S**

(45) **Date of Patent:** **\*\* Jul. 15, 2003**

(54) **SPOON**

(75) Inventors: **Jeffrey Bull**, Naperville, IL (US);  
**Daniel Tagtow**, Austin, TX (US)

(73) Assignee: **Wilton Industries, Inc.**, Woodridge, IL (US)

(\*\*) Term: **14 Years**

(21) Appl. No.: **29/163,686**

(22) Filed: **Jul. 10, 2002**

(51) **LOC (7) Cl.** ..... **07-02**

(52) **U.S. Cl.** ..... **D7/692**

(58) **Field of Search** ..... D7/681-697, 393,  
D7/395, 401.2, 647, 653, 662-664; 30/324-328;  
294/1.1; 416/70 R

(56) **References Cited**

**U.S. PATENT DOCUMENTS**

D50,133 S 1/1917 Johnson  
1,219,818 A \* 3/1917 Hanson ..... 294/8  
D307,095 S \* 4/1990 Juergens ..... D7/653

5,348,023 A \* 9/1994 McLucas ..... 30/325  
D432,877 S 10/2000 Kwok  
D437,737 S 2/2001 Durbin et al.  
D437,738 S 2/2001 Durbin et al.  
D438,070 S \* 2/2001 Kwok ..... D7/692

\* cited by examiner

*Primary Examiner*—Terry A. Wallace

(74) *Attorney, Agent, or Firm*—Piper Rudnick

(57) **CLAIM**

The ornamental design for the spoon, as shown and described.

**DESCRIPTION**

FIG. 1 is a perspective view of the spoon;  
FIG. 2 is a front elevational view of the spoon;  
FIG. 3 is right side elevational view of the spoon, the opposite side of which is an identical mirror image;  
FIG. 4 is a back elevational view of the spoon;  
FIG. 5 is a bottom plan view of the spoon; and,  
FIG. 6 is a top plan view of the spoon.

**1 Claim, 3 Drawing Sheets**

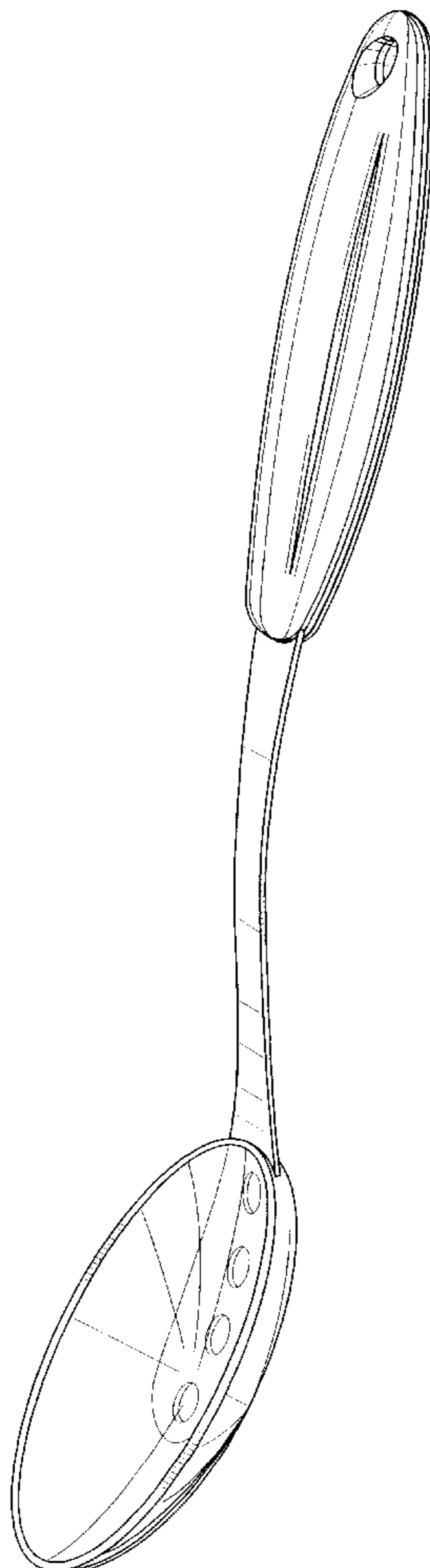


Fig. 1

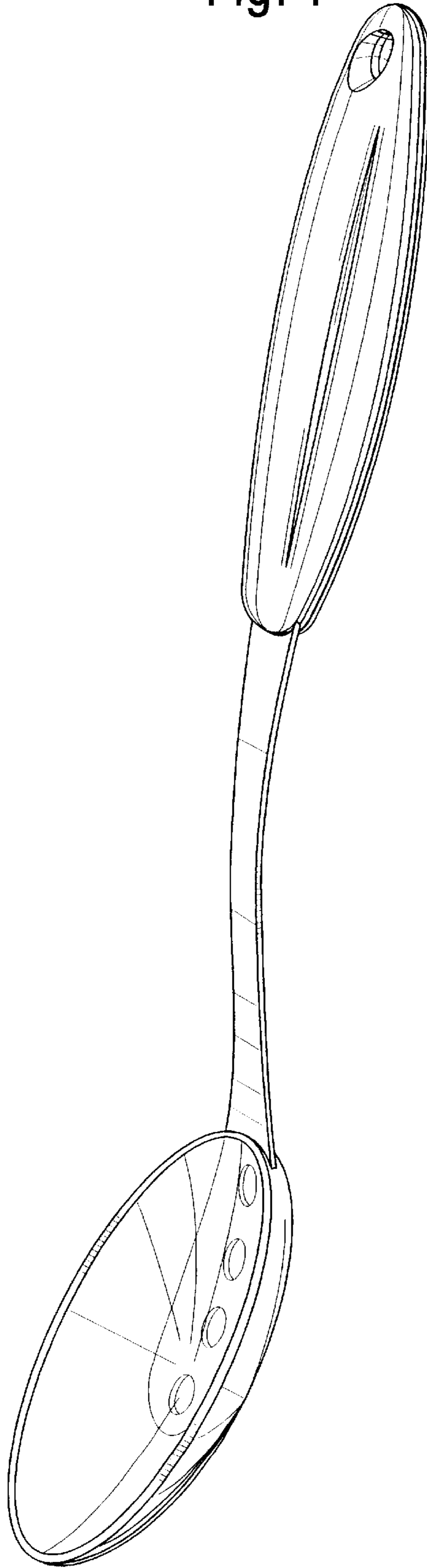


Fig. 2

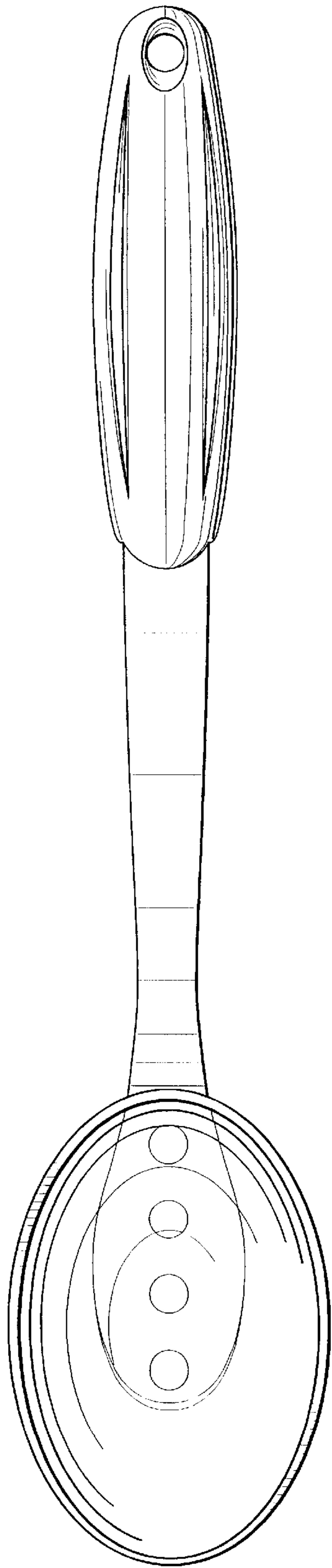


Fig. 3

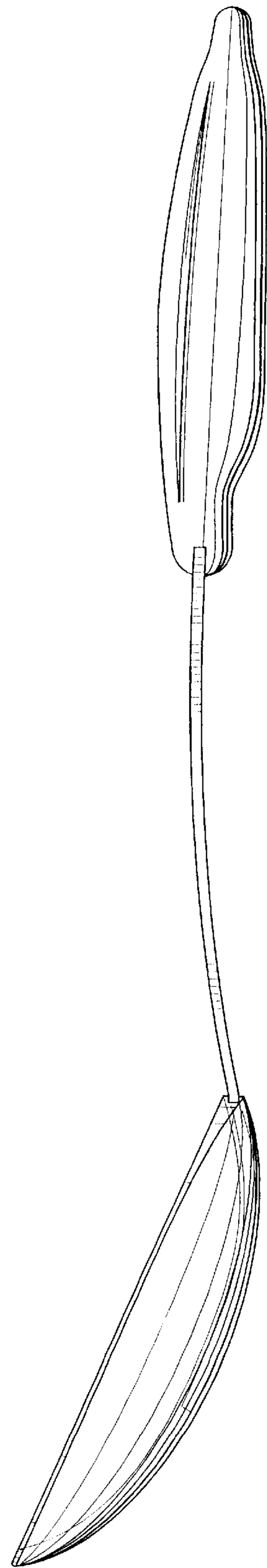


Fig. 4

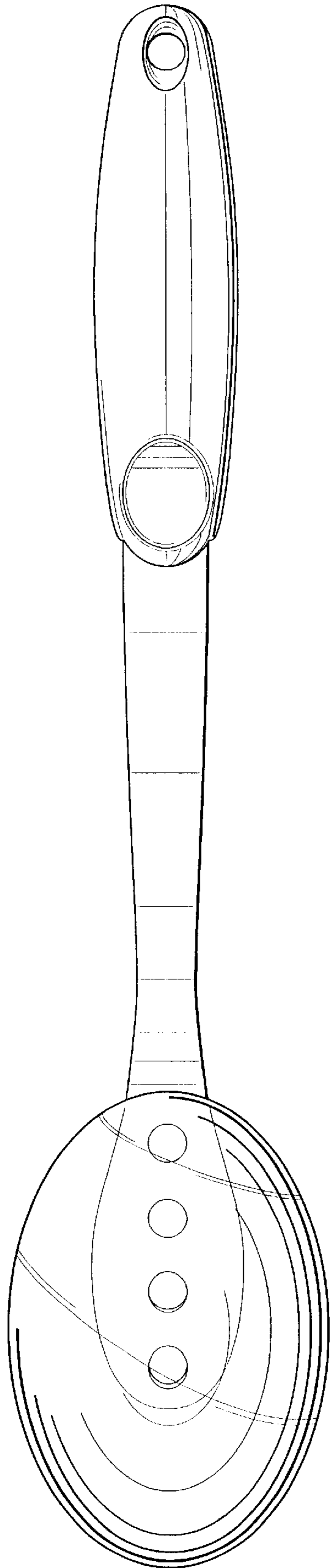


Fig. 5

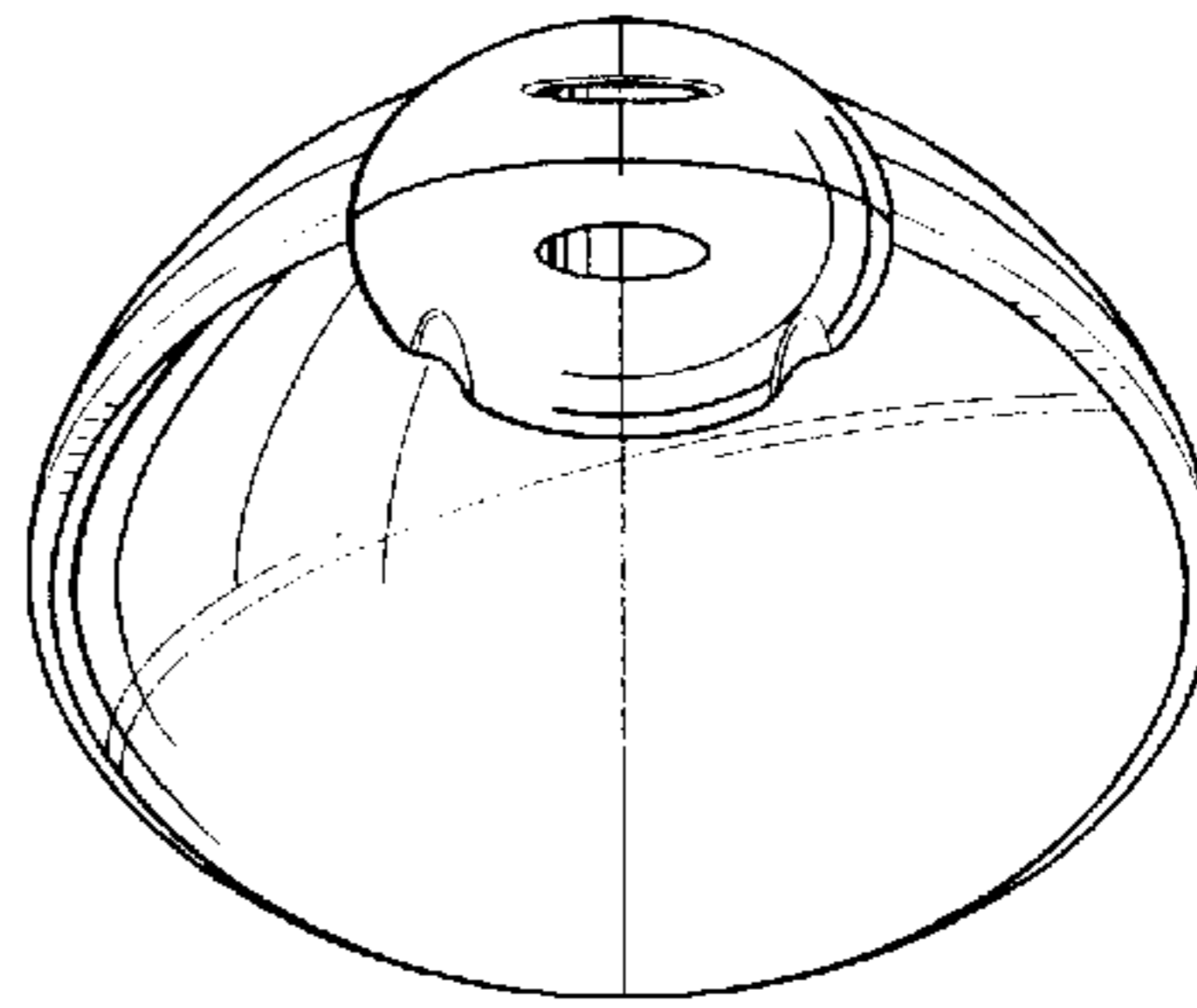


Fig. 6

