



US00D477182S

(12) **United States Design Patent**
Brown

(10) **Patent No.: US D477,182 S**

(45) **Date of Patent: ** Jul. 15, 2003**

(54) **SPORTS BOTTLE AND FILLER NOZZLE**

(76) Inventor: **Jack C. Brown**, 1717 Minnesota Ave.,
Winter Park, FL (US) 32789

(**) Term: **14 Years**

(21) Appl. No.: **29/171,459**

(22) Filed: **Nov. 25, 2002**

(51) **LOC (7) Cl. 07-01**

(52) **U.S. Cl. D7/507; D7/510; D7/511**

(58) **Field of Search D7/509, 507, 510,**
D7/511, 523, 531, 532, 300.1, 300.2; 222/568,
129; 210/120, 136; 220/705, 703, 603,
714, 719, 711, 671, 715, 592.16, 592.17;
215/387, DIG. 7, 388; D24/197; D9/435,
447

(56) **References Cited**

U.S. PATENT DOCUMENTS

- D217,317 S * 4/1970 Homorodean, Jr. et al. . D7/447
- 3,840,153 A * 10/1974 Devlin 222/146.6
- 4,191,302 A * 3/1980 Fiducia 220/705
- D279,250 S * 6/1985 Holloway D7/507
- D332,221 S * 1/1993 Willems D9/447
- 5,402,899 A * 4/1995 Ammeson 215/391

- 5,542,670 A * 8/1996 Morano 220/714
- 5,545,315 A * 8/1996 Lonneman 210/120
- D407,017 S * 3/1999 Lau D9/447
- D468,969 S * 1/2003 Lipson D7/517
- D469,306 S * 1/2003 Lipson D7/507

* cited by examiner

Primary Examiner—M. N. Pandozzi

(74) *Attorney, Agent, or Firm*—William M. Hobby, III

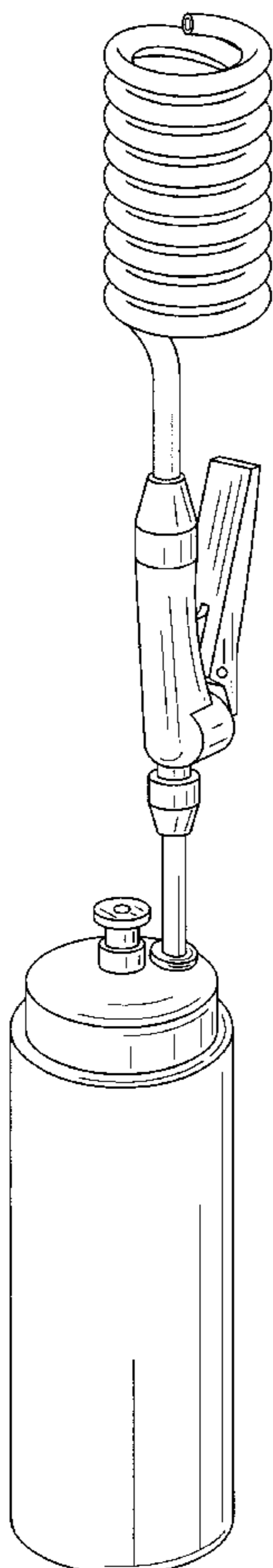
(57) **CLAIM**

The ornamental design for a sports bottle and filler nozzle,
as shown and described.

DESCRIPTION

- FIG. 1 is a top left side perspective view of my new sports
bottle and filler nozzle;
- FIG. 2 is a top left side perspective view having the nozzle
removed from the bottle;
- FIG. 3 is a left side elevation;
- FIG. 4 is a right side elevation;
- FIG. 5 is a rear side elevation;
- FIG. 6 is a front side elevation;
- FIG. 7 is a top plan view; and,
- FIG. 8 is a bottom plan view.

1 Claim, 3 Drawing Sheets



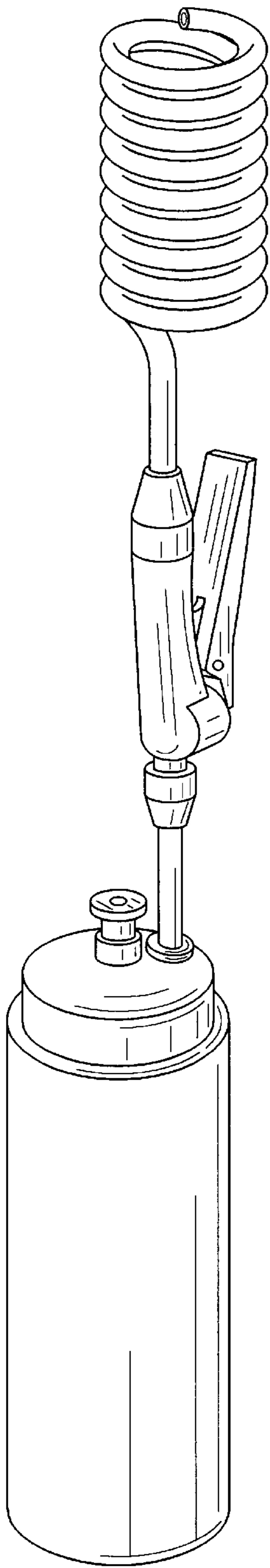


FIG. 1

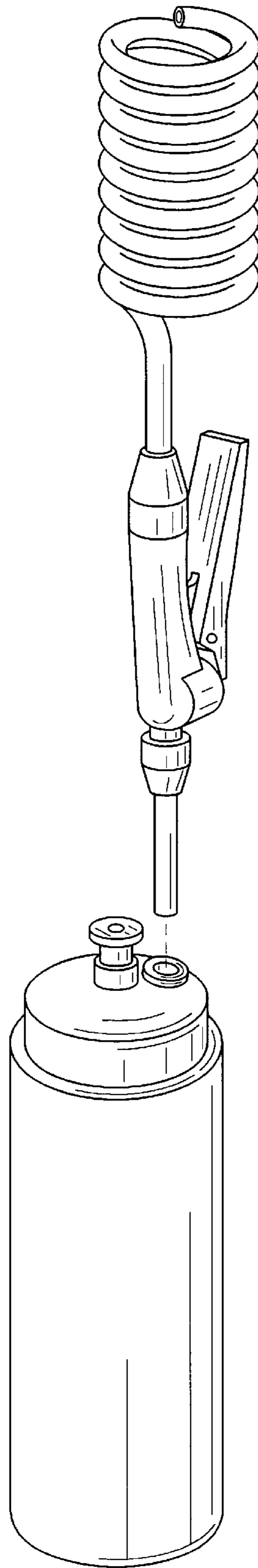


FIG. 2

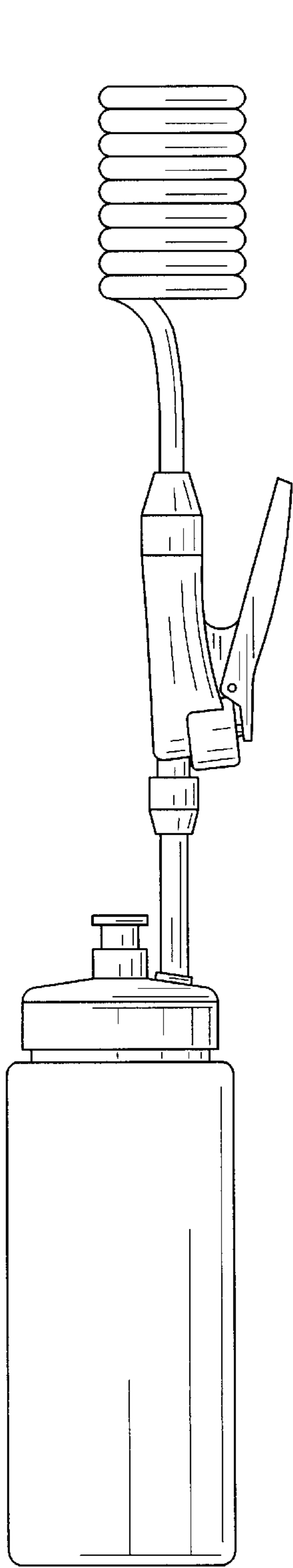


FIG. 3

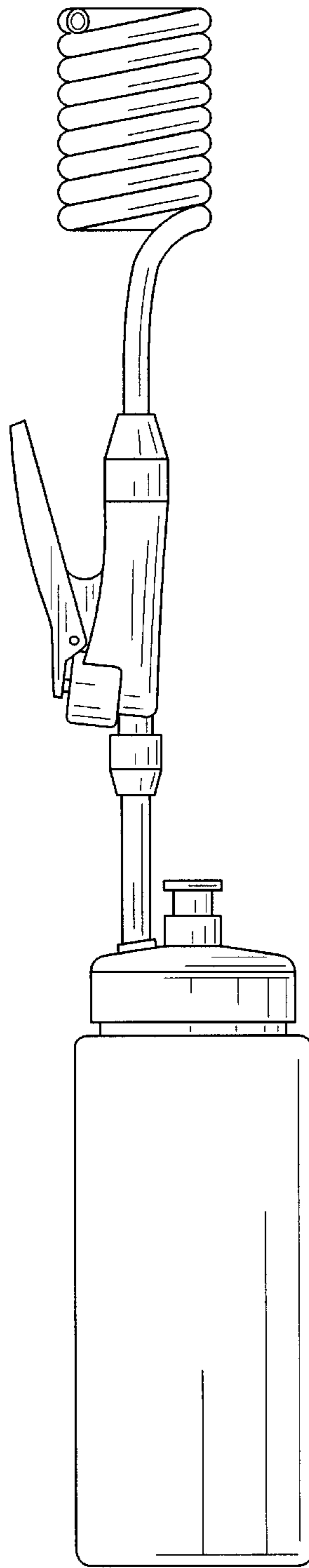


FIG. 4

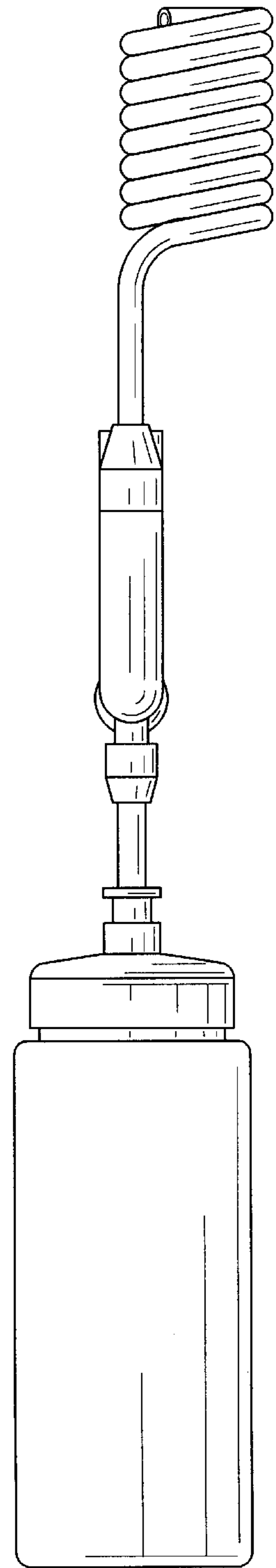


FIG. 5

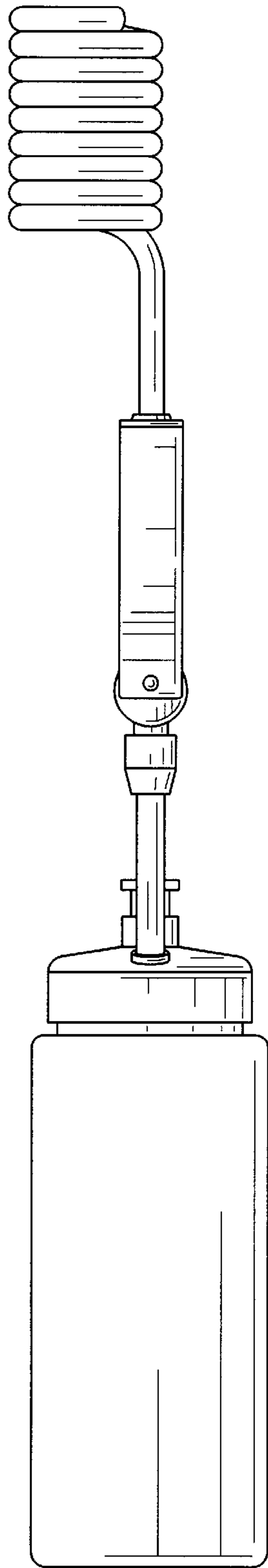


FIG. 6

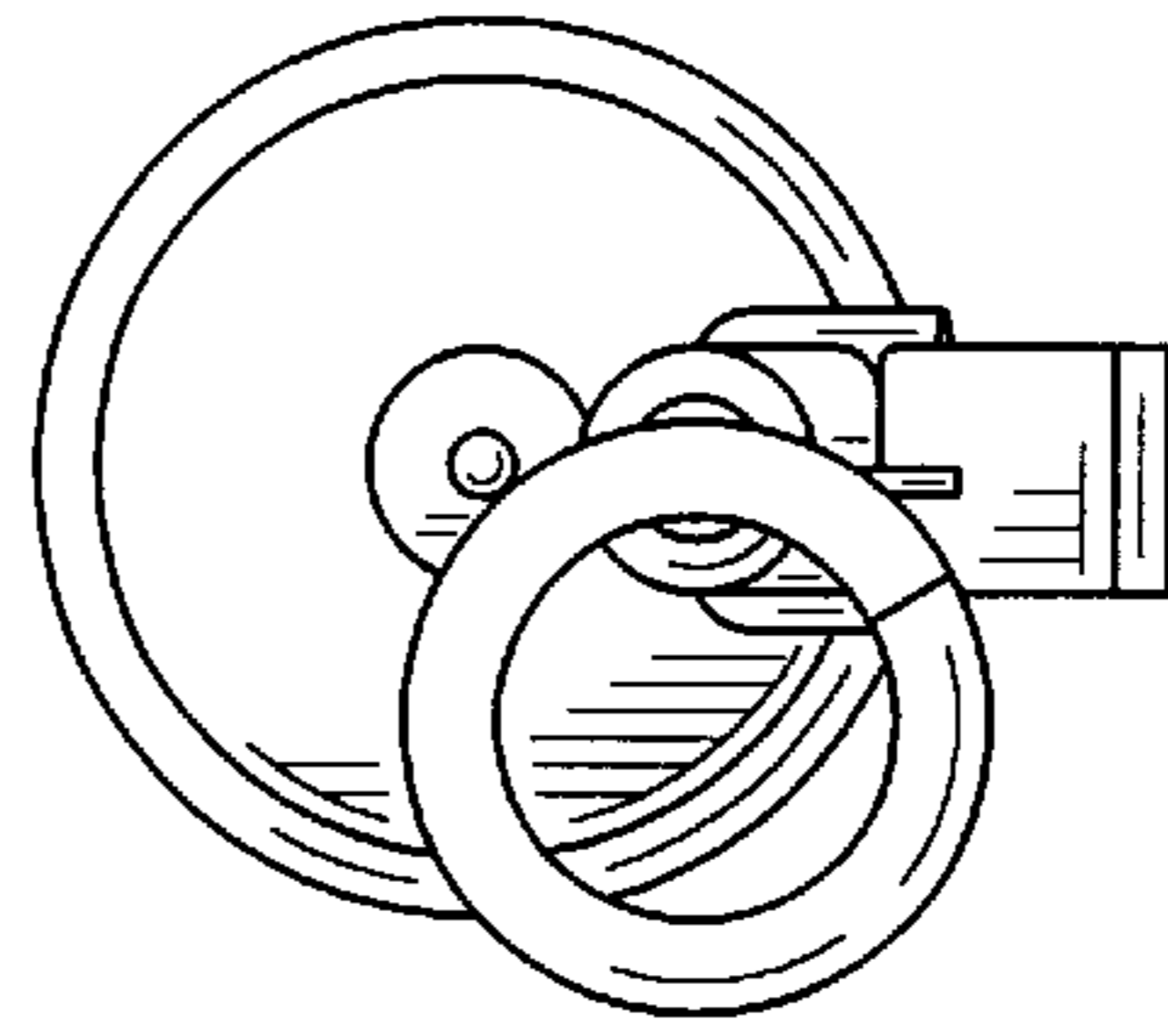


FIG. 7

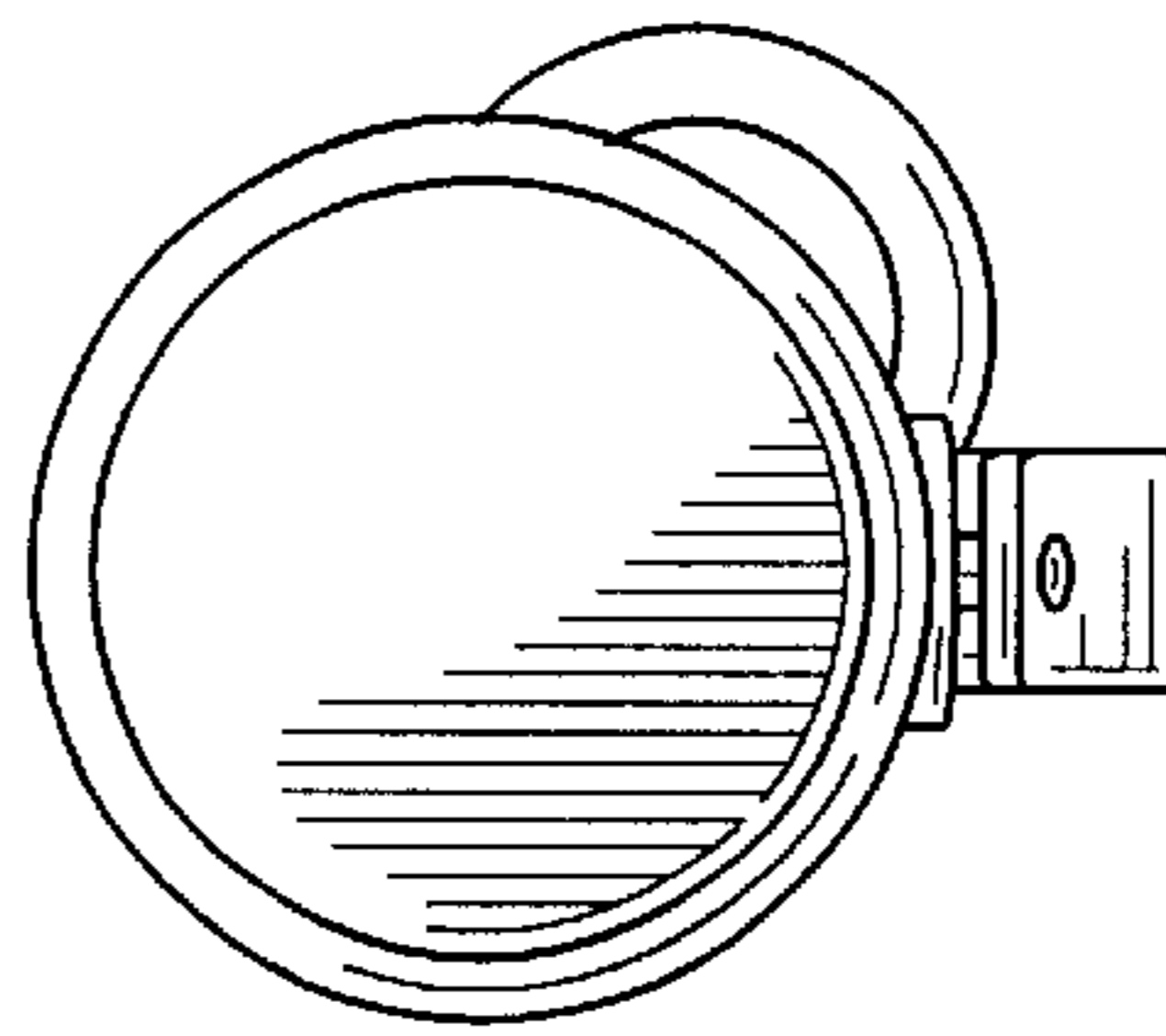


FIG. 8